



US00D740741S

(12) **United States Design Patent**
Wheeler

(10) **Patent No.:** **US D740,741 S**
(45) **Date of Patent:** **** Oct. 13, 2015**

(54) **STORAGE TUBE**

(71) Applicant: **Chad C. Wheeler**, Arvada, CO (US)

(72) Inventor: **Chad C. Wheeler**, Arvada, CO (US)

(**) Term: **14 Years**

(21) Appl. No.: **29/473,857**

(22) Filed: **Nov. 26, 2013**

(51) **LOC (10) Cl.** **12-16**

(52) **U.S. Cl.**
USPC **D12/400**

(58) **Field of Classification Search**
USPC D12/400, 406, 412, 414, 423
See application file for complete search history.

(56) **References Cited**

U.S. PATENT DOCUMENTS

| | | | | | |
|-----------|-----|---------|------------------|-------|-----------|
| 2,783,875 | A * | 3/1957 | Shabarick | | 312/35 |
| 3,128,854 | A * | 4/1964 | Shabarick | | 206/289 |
| 3,378,134 | A | 4/1968 | Wilkinson et al. | | |
| 4,138,152 | A | 2/1979 | Prue | | |
| 4,444,324 | A | 4/1984 | Grenell | | |
| 4,570,986 | A | 2/1986 | Sams | | |
| 4,657,135 | A * | 4/1987 | Kjose | | 206/315.3 |
| 4,921,152 | A | 5/1990 | Kemming | | |
| 5,427,453 | A * | 6/1995 | Cloessner | | 383/38 |
| 5,437,369 | A * | 8/1995 | Spitere | | 206/373 |
| 5,441,163 | A * | 8/1995 | Carrasco | | 220/23.86 |
| 5,472,110 | A | 12/1995 | Boyd et al. | | |
| 5,480,023 | A * | 1/1996 | Puller | | 206/8 |
| 5,538,137 | A * | 7/1996 | Deioma et al. | | 206/579 |
| D374,174 | S * | 10/1996 | McClellan | | D9/711 |
| 5,657,916 | A | 8/1997 | Tackett | | |
| 5,676,340 | A | 10/1997 | Ruhnau | | |
| 5,797,491 | A * | 8/1998 | Fierek et al. | | 206/373 |
| 5,848,690 | A | 12/1998 | Granger et al. | | |

| | | | | | |
|--------------|------|---------|----------------|-------|---------|
| 5,887,711 | A * | 3/1999 | McAuliffe | | 206/292 |
| 6,089,429 | A | 7/2000 | Everson | | |
| 6,386,409 | B1 | 5/2002 | Cheney | | |
| 6,849,038 | B2 | 2/2005 | Straface | | |
| D566,399 | S * | 4/2008 | Ahlborn | | D3/321 |
| 2003/0189353 | A1 | 10/2003 | Moore | | |
| 2006/0124505 | A1 | 6/2006 | Hanson | | |
| 2010/0200434 | A1 | 8/2010 | Carter | | |
| 2010/0270200 | A1 * | 10/2010 | Kay | | 206/521 |
| 2012/0007392 | A1 | 1/2012 | Daniels, Jr. | | |
| 2012/0228164 | A1 | 9/2012 | Aagaard et al. | | |
| 2013/0068644 | A1 | 3/2013 | Berman | | |

* cited by examiner

Primary Examiner — Katrina A Betton

(74) *Attorney, Agent, or Firm* — Patent Law Office of Rick Martin P.C.

(57) **CLAIM**

The ornamental design for a storage tube, as shown and described.

DESCRIPTION

FIG. 1 is a front perspective view of my new design for a storage tube.

FIG. 2 is a bottom plan view of my new invention.

FIG. 3 is a top plan view of my new invention.

FIG. 4 is a front elevation view of my new invention.

FIG. 5 is a rear elevation view of my new invention.

FIG. 6 is a left side elevation view of my new invention, with a right side elevation view being a mirror image thereof; and, FIG. 7 is a front perspective view of my new invention in an open mode.

The broken lines indicating logo and mounting bar are for the purposes of illustration and form no part of the claimed design.

1 Claim, 4 Drawing Sheets

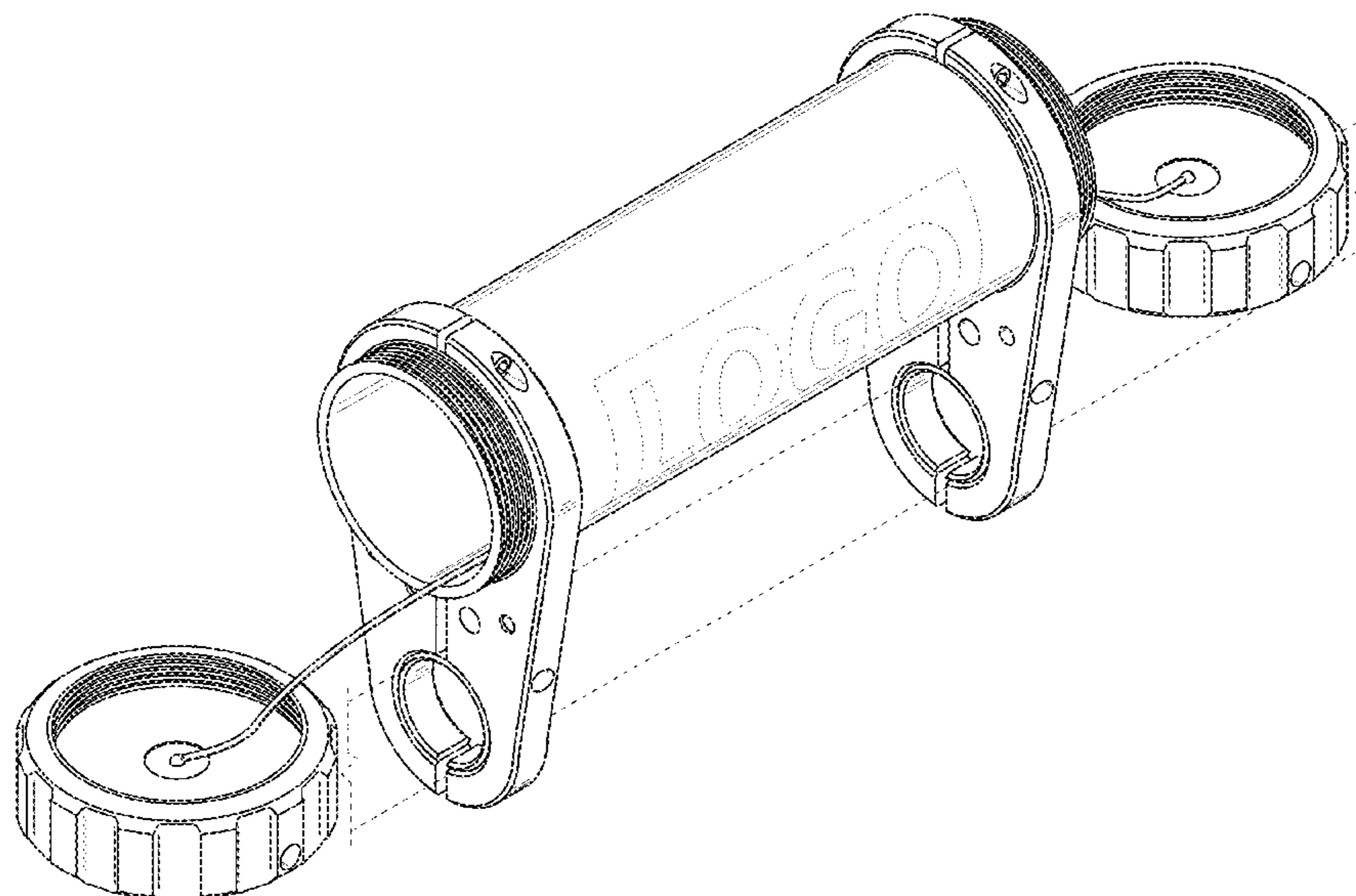


Fig. 1

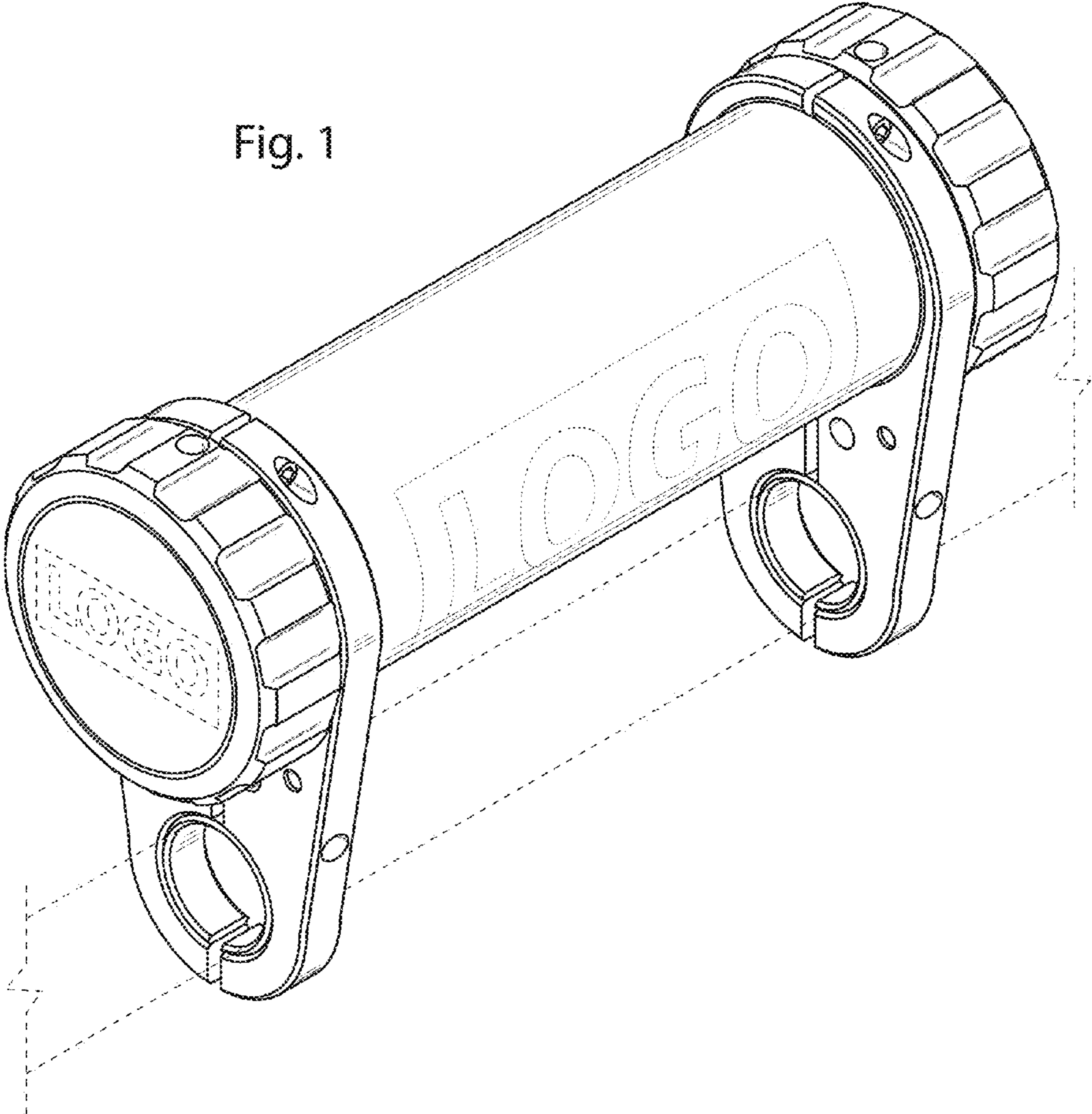


Fig. 2

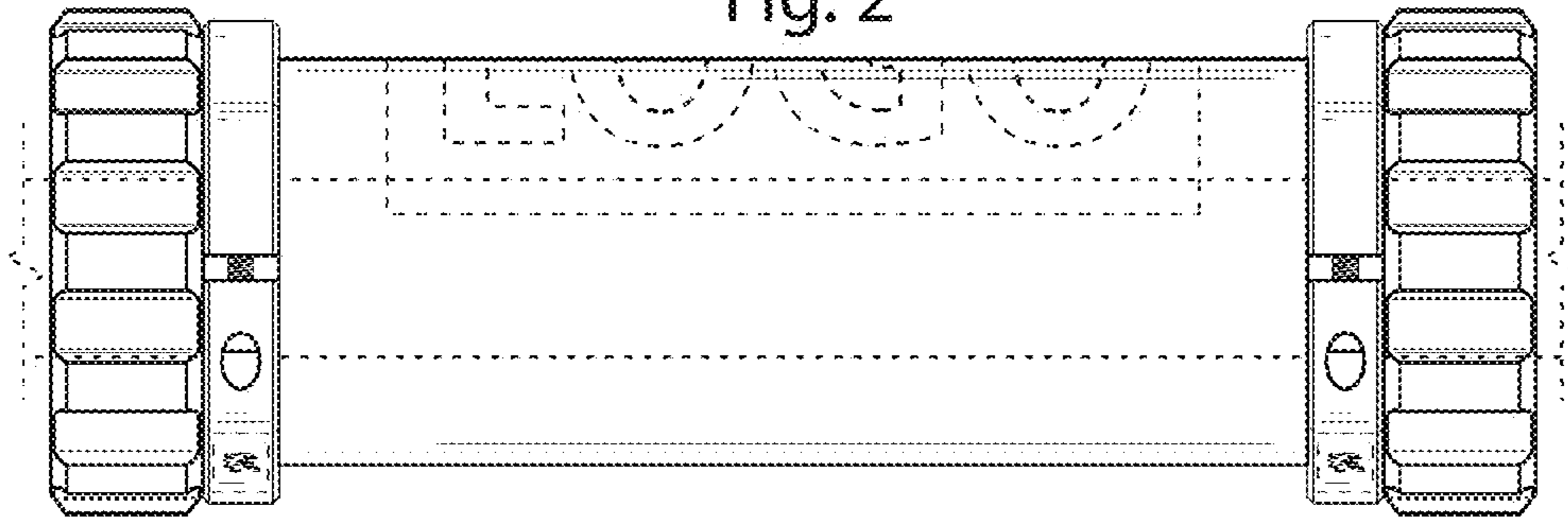


Fig. 3

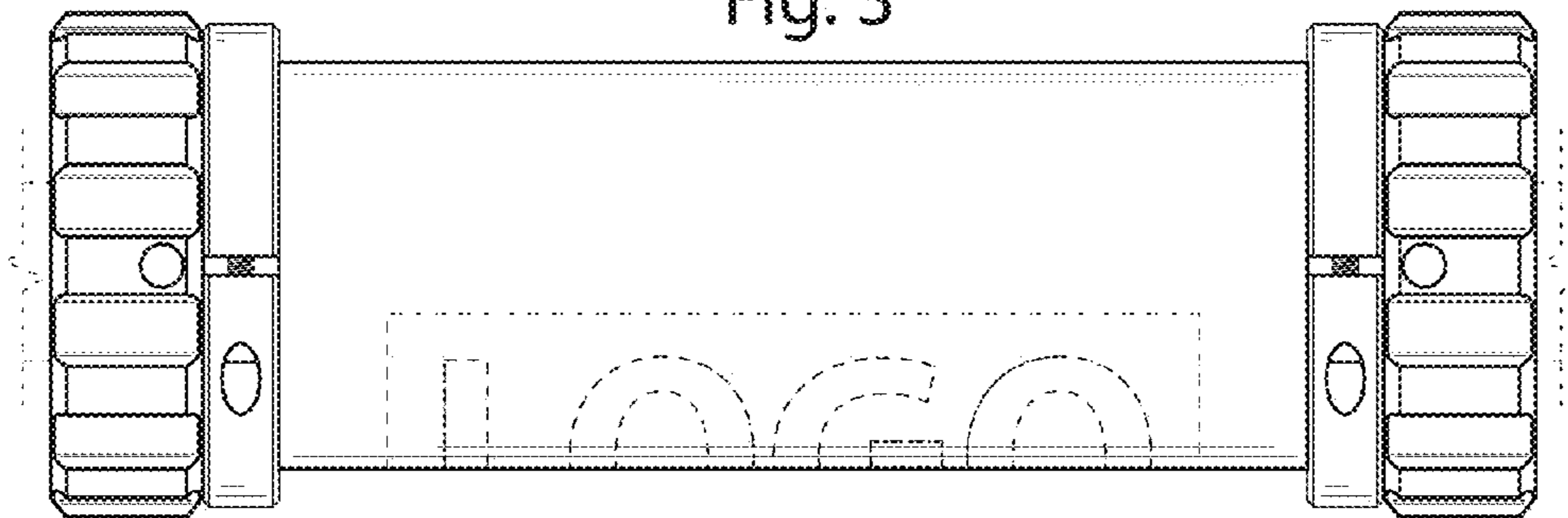


Fig. 4

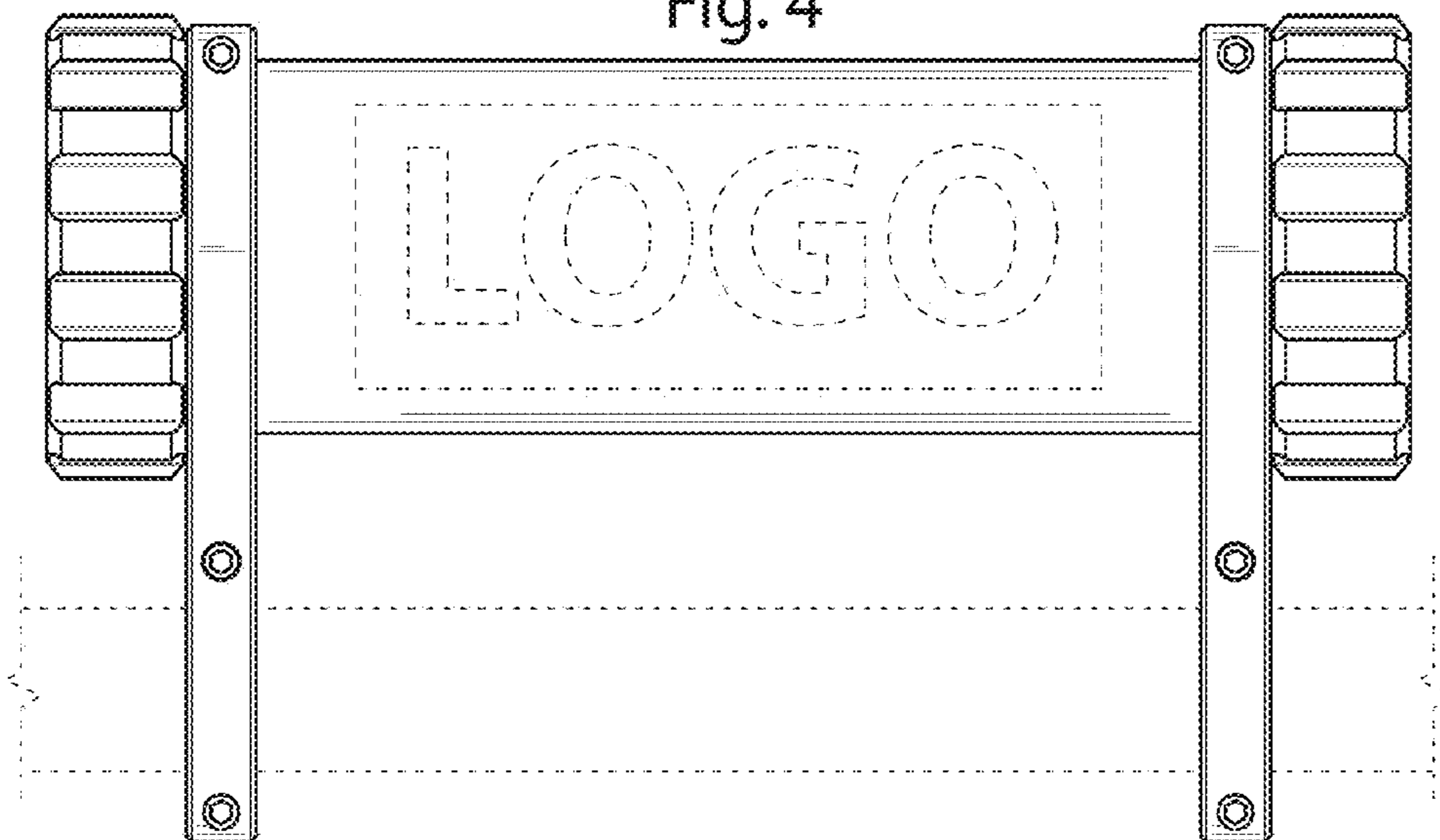


Fig. 5

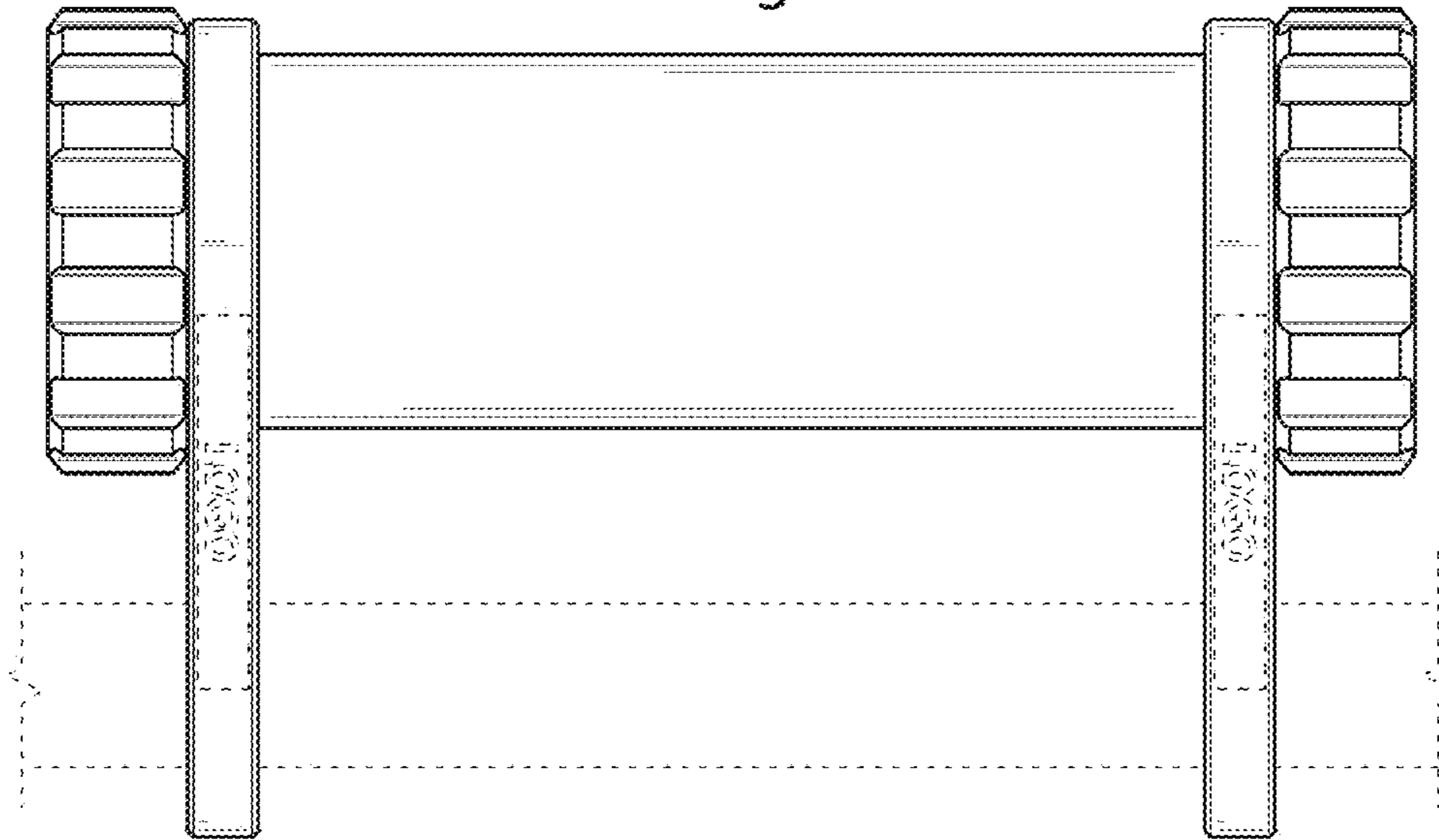
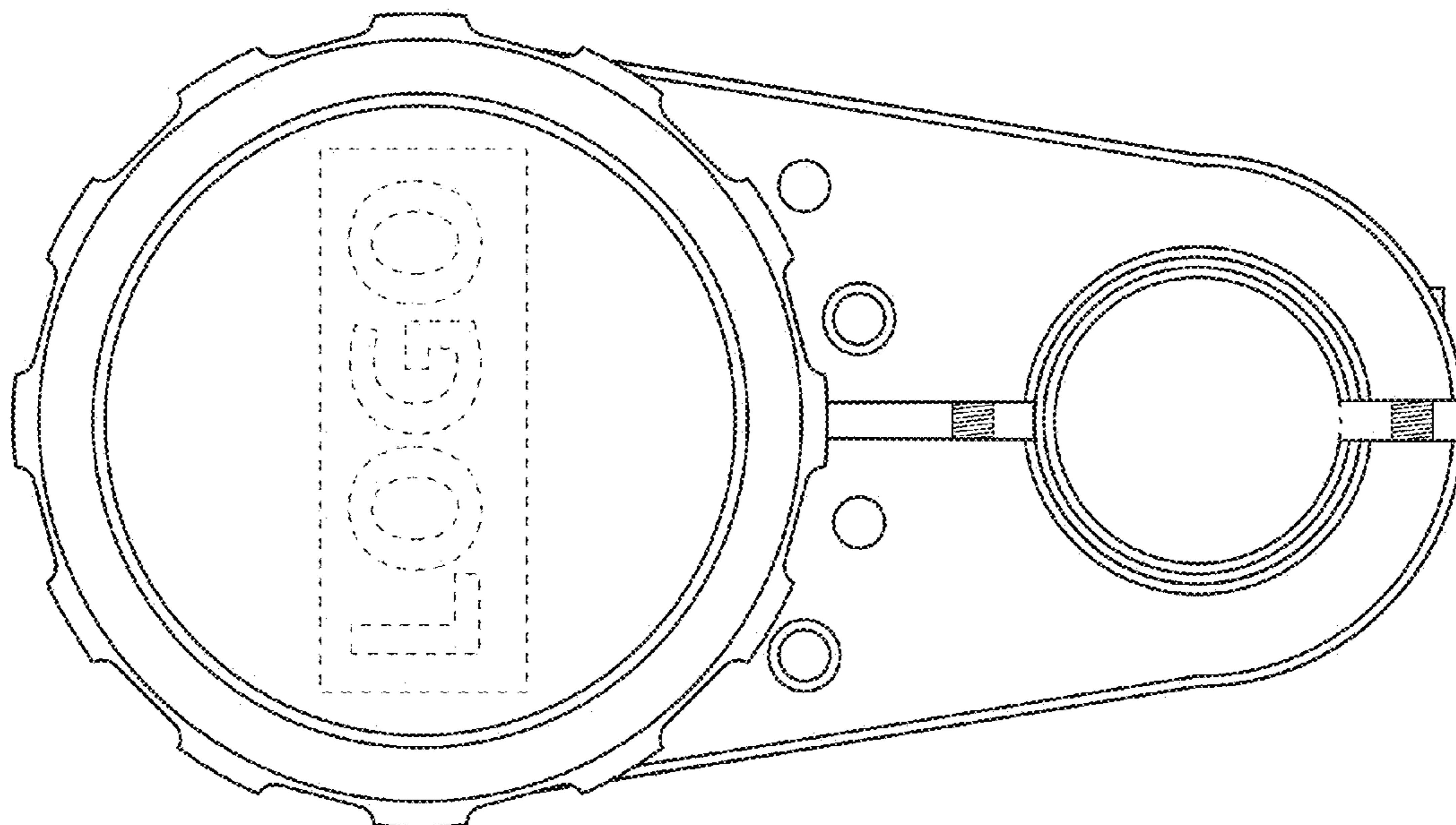


Fig. 6



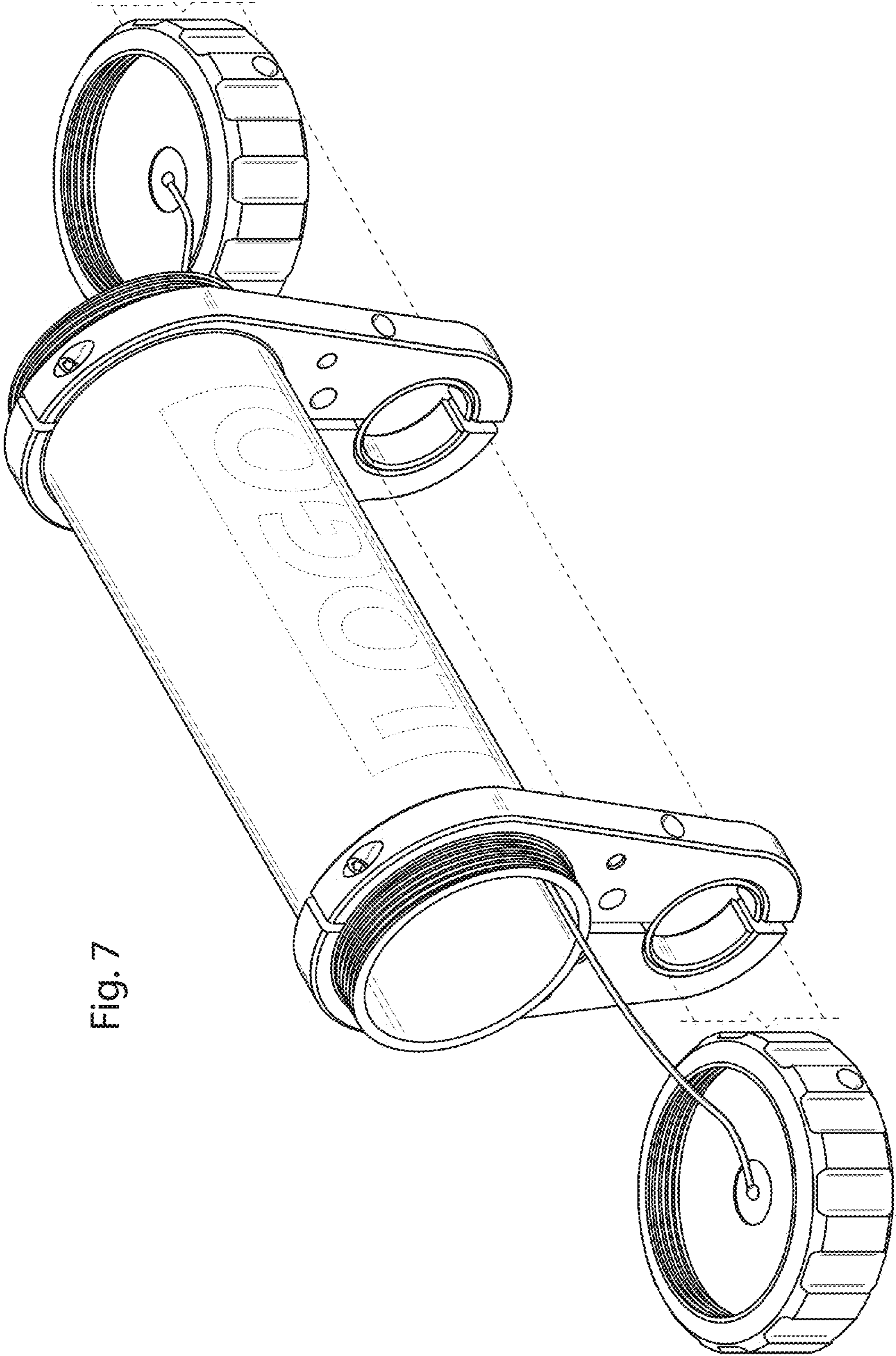


Fig. 7