



US00D740740S

(12) **United States Design Patent**
Wilson

(10) **Patent No.:** **US D740,740 S**

(45) **Date of Patent:** **** *Oct. 13, 2015**

(54) **PREFLIGHT DEVICE**

(76) Inventor: **Ryan Wilson**, Fayetteville, AR (US)

(*) Notice: This patent is subject to a terminal disclaimer.

(**) Term: **14 Years**

(21) Appl. No.: **29/401,328**

(22) Filed: **Sep. 9, 2011**

(51) **LOC (10) Cl.** **12-07**

(52) **U.S. Cl.**
USPC **D12/345**

(58) **Field of Classification Search**
USPC D8/99, 58, 55, 356, 83, 26, 25, 21, 52,
D8/107, 105; D19/65; 81/440, 427.5,
81/177.4, 480; 73/864.51, 863.86;
30/298.4, 162, 161, 155; D12/345;
D10/86, 111

See application file for complete search history.

(56) **References Cited**

U.S. PATENT DOCUMENTS

| | | | | | | |
|-----------|---|---|---------|-----------------|-------|-----------|
| D114,333 | S | * | 4/1939 | Kollsman | | D10/103 |
| 3,011,349 | A | * | 12/1961 | Kratz | | 73/863.86 |
| D204,109 | S | * | 3/1966 | Reed | | D10/111 |
| D226,686 | S | * | 4/1973 | Floyd | | D12/345 |
| D227,938 | S | * | 7/1973 | DeLeo et al. | | D12/345 |
| 4,238,978 | A | * | 12/1980 | Leone | | 81/480 |
| 4,700,580 | A | * | 10/1987 | Kamin | | 73/864.51 |
| D296,296 | S | * | 6/1988 | Lee | | D8/83 |
| 4,926,721 | A | * | 5/1990 | Hsiao | | 81/177.4 |
| 5,359,905 | A | * | 11/1994 | Brodbeck | | 73/863.86 |
| D392,535 | S | * | 3/1998 | Vasudeva et al. | | D8/83 |
| D409,463 | S | * | 5/1999 | McMullin | | D8/25 |

| | | | | | | |
|-----------|----|---|---------|-------------|-------|-----------|
| 6,179,249 | B1 | * | 1/2001 | Canadas | | 244/53 R |
| D501,146 | S | * | 1/2005 | Durr et al. | | D10/86 |
| D552,949 | S | * | 10/2007 | Strahorn | | D8/21 |
| 7,748,282 | B1 | * | 7/2010 | Hohmann | | 73/864.63 |
| 8,448,676 | B2 | * | 5/2013 | Hughes | | 141/86 |
| D687,690 | S | * | 8/2013 | Chen | | D8/26 |

* cited by examiner

Primary Examiner — Austin Murphy

(74) *Attorney, Agent, or Firm* — Mark Murphey Henry

(57) **CLAIM**

I claim the ornamental design for the preflight device, as shown and described.

DESCRIPTION

FIG. 1 is a perspective view of the preflight device in a closed position.

FIG. 2 is a front view of the preflight device in a closed position.

FIG. 3 is a back view of the preflight device in a closed position.

FIG. 4 is a first side view of the preflight device in a closed position.

FIG. 5 is the opposing side view of the preflight device in a closed position.

FIG. 6 is a top view of the preflight device.

FIG. 7 is a bottom view of the preflight device.

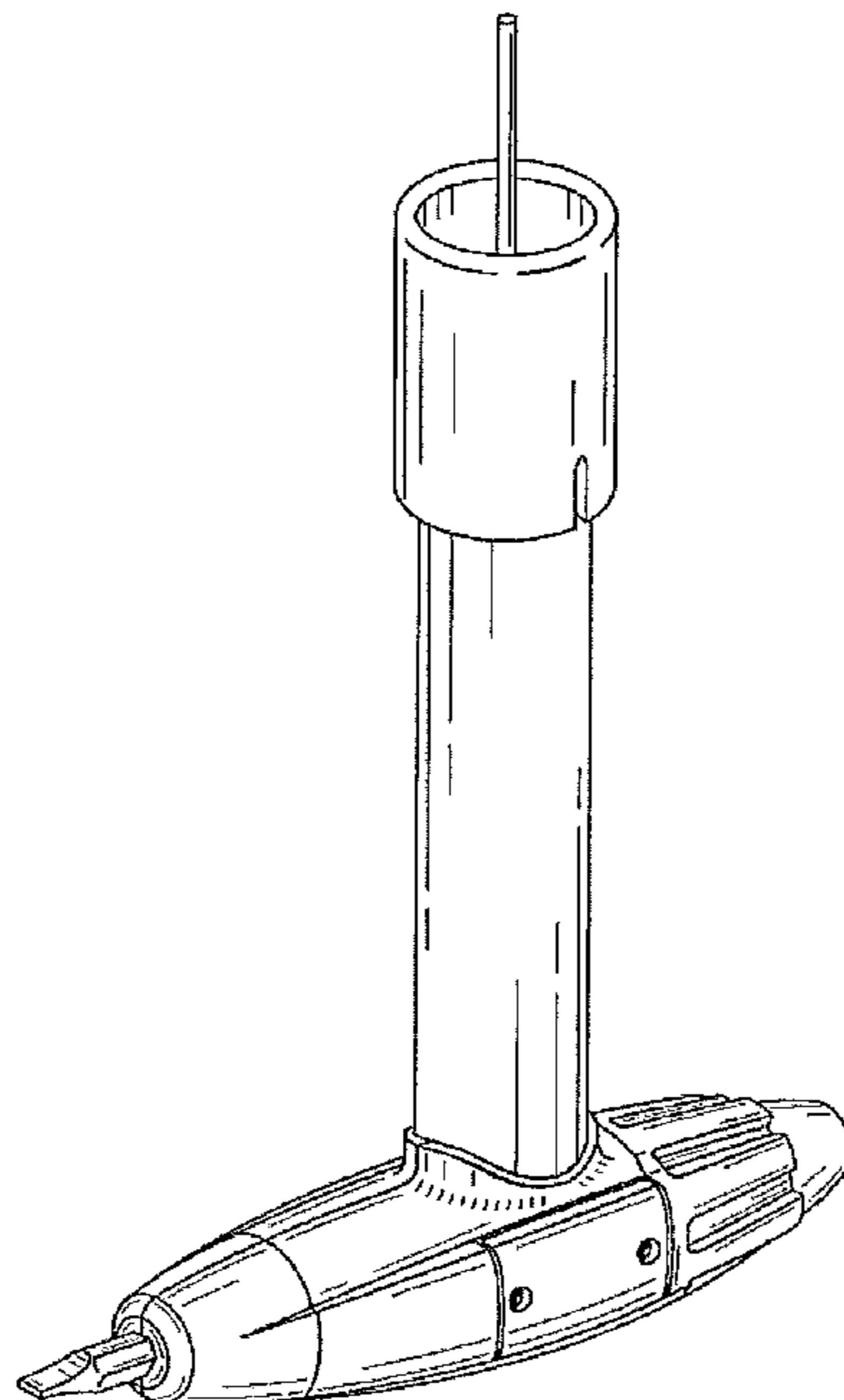
FIG. 8 is a perspective view of the preflight device in an open position.

FIG. 9 is a front view of the preflight device in an open position; and,

FIG. 10 is a back view of the preflight device in an open position.

The article is a device generally associated with the aircraft industry.

1 Claim, 6 Drawing Sheets



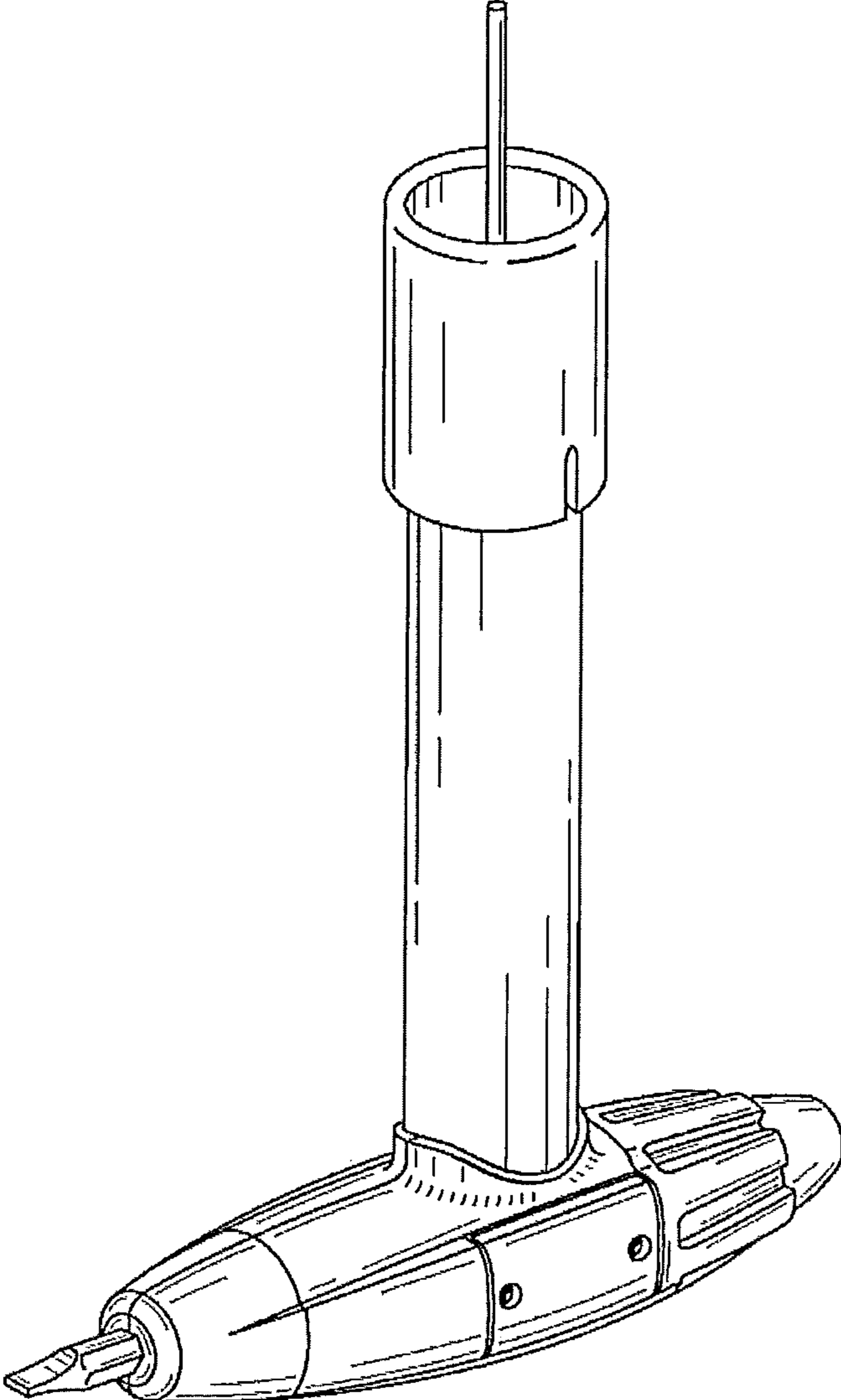


FIG. 1

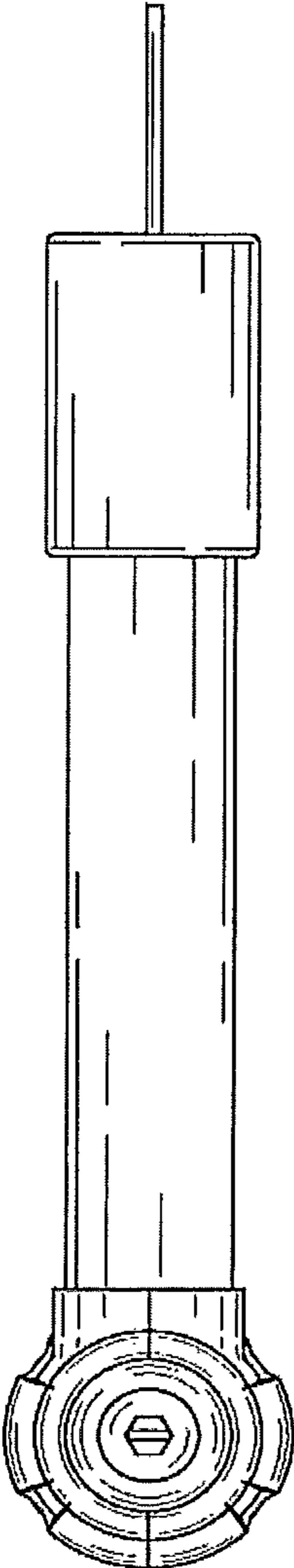


FIG. 2

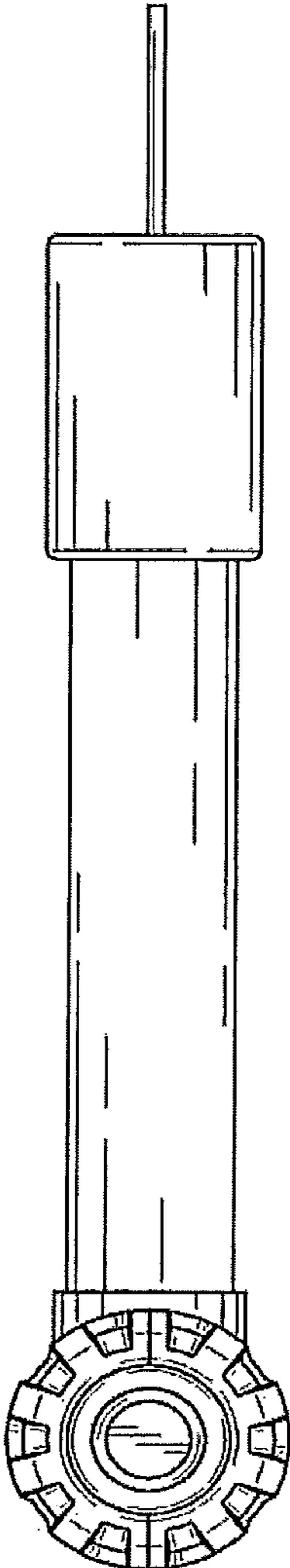


FIG. 3

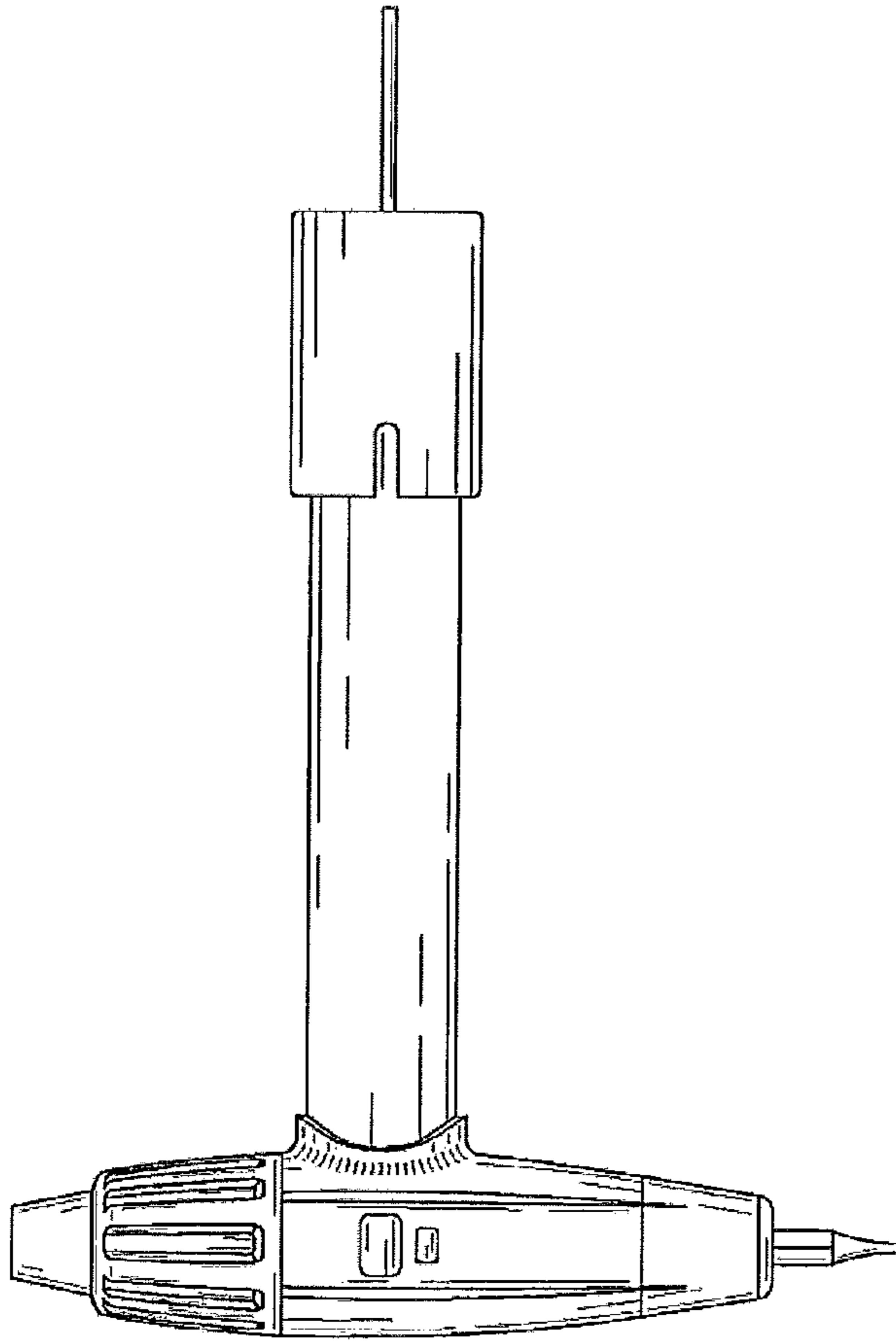


FIG. 4

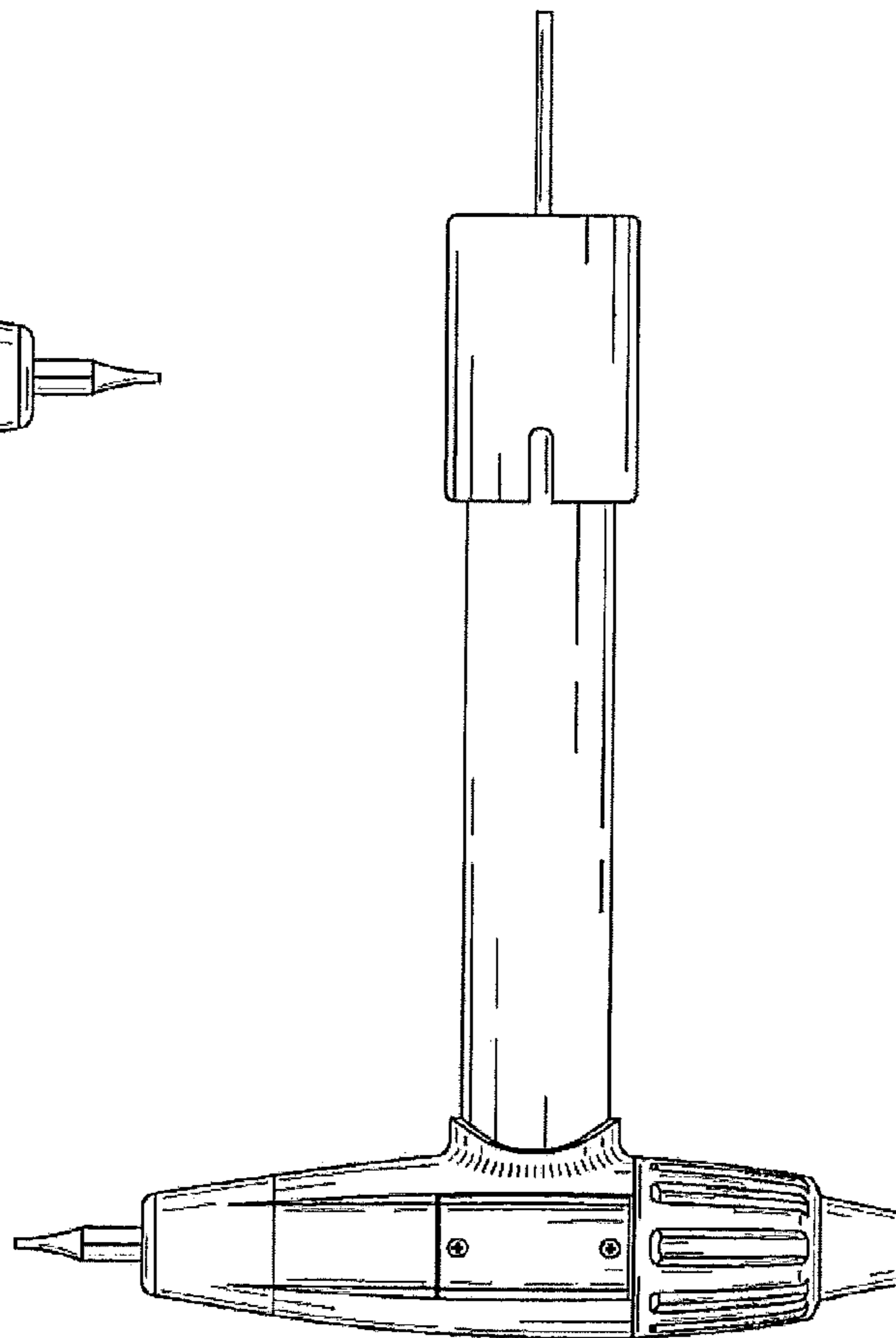


FIG. 5

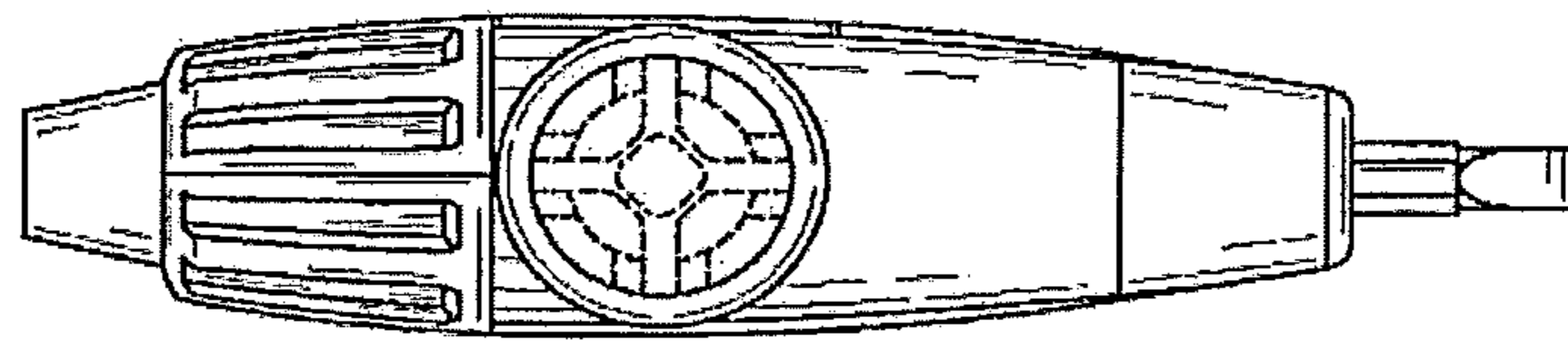


FIG. 6

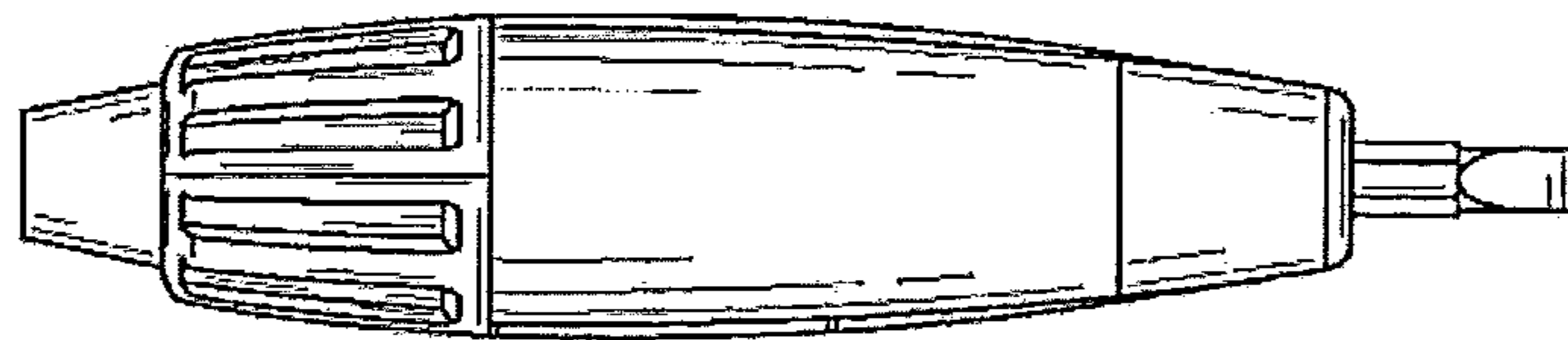


FIG. 7

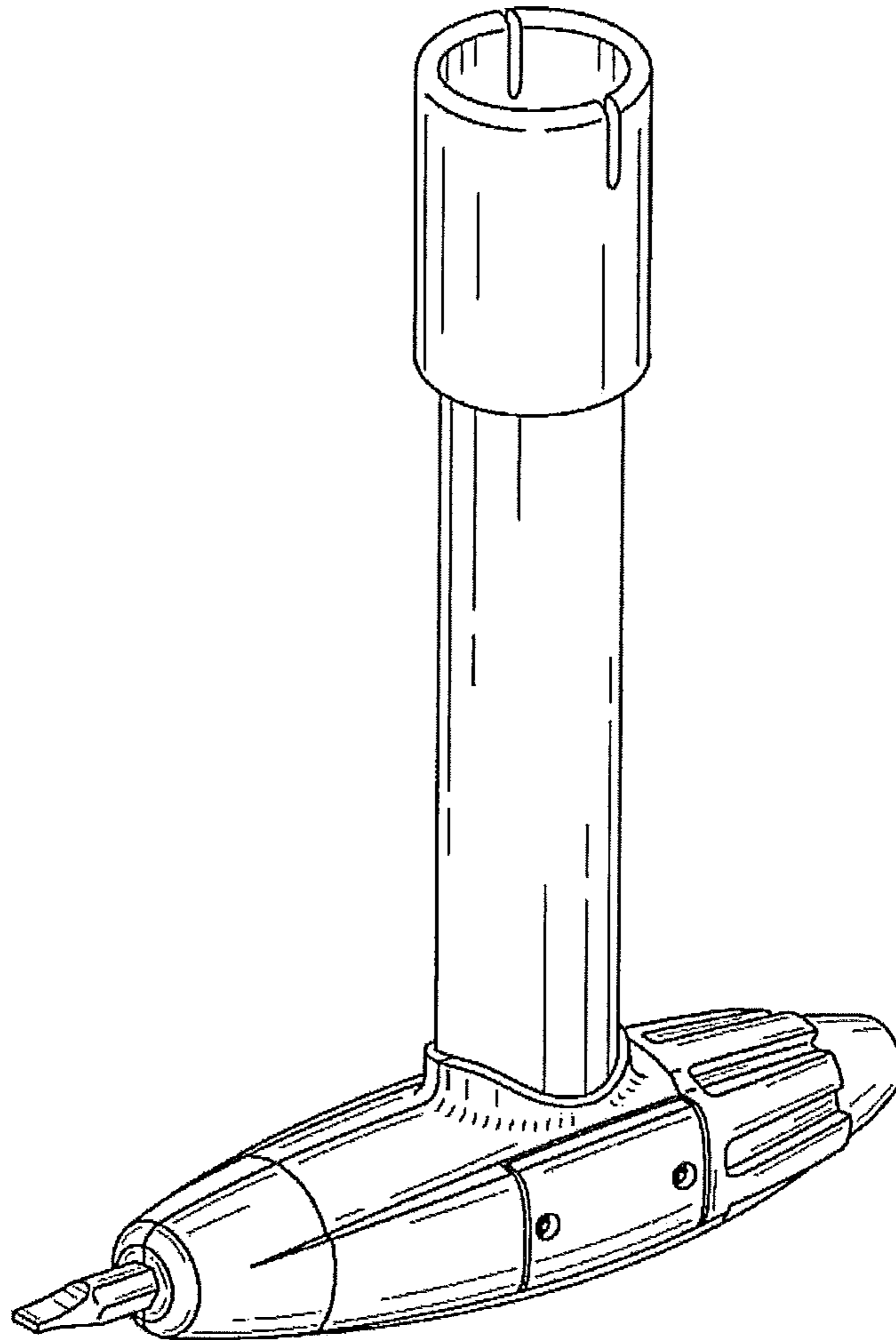


FIG. 8

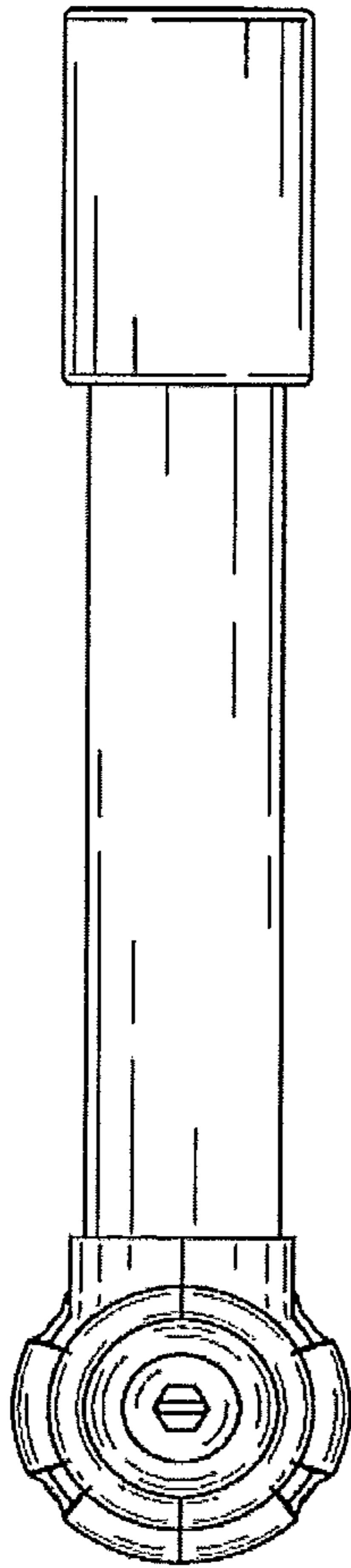


FIG. 9

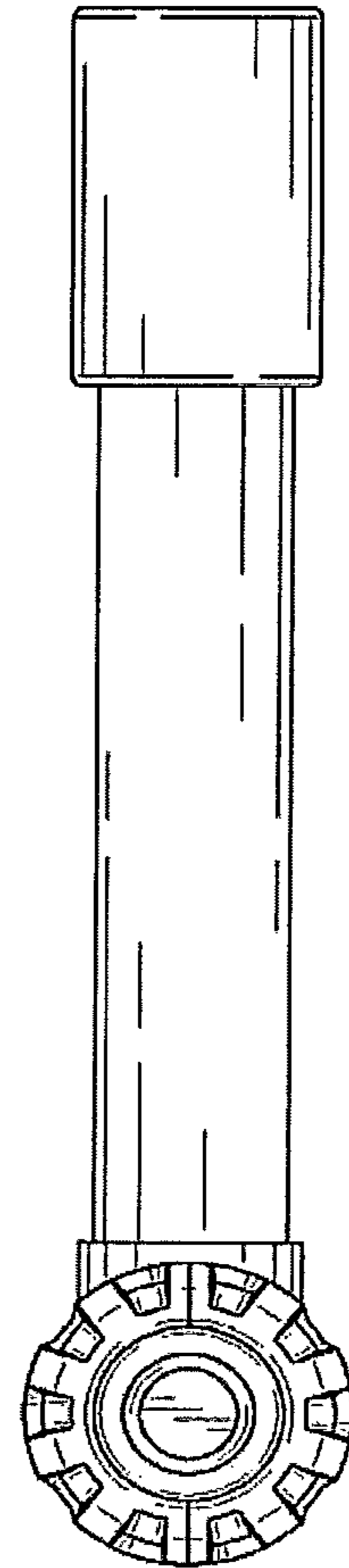


FIG. 10