



US00D740739S

(12) **United States Design Patent**
Hudgins

(10) **Patent No.:** **US D740,739 S**

(45) **Date of Patent:** **** Oct. 13, 2015**

(54) **BOAT DOCKING BACKSTOP**

(71) Applicant: **Lonnie Hudgins**, Sapulpa, OK (US)

(72) Inventor: **Lonnie Hudgins**, Sapulpa, OK (US)

(**) Term: **14 Years**

(21) Appl. No.: **29/500,076**

(22) Filed: **Aug. 21, 2014**

(51) **LOC (10) Cl.** **12-06**

(52) **U.S. Cl.**
USPC **D12/317**

(58) **Field of Classification Search**
USPC D12/168, 317
CPC E02B 3/20; E02B 3/23; E02B 3/26;
E02B 3/068; B63B 59/02; B63B 21/00
See application file for complete search history.

(56) **References Cited**

U.S. PATENT DOCUMENTS

4,284,026	A *	8/1981	Martinson et al.	114/230.15
5,113,702	A	5/1992	Capps	
5,497,723	A	3/1996	Chase	
5,727,493	A *	3/1998	Pierce	114/219
5,762,016	A	6/1998	Parsons	
5,911,189	A	6/1999	Ryan	
6,119,616	A *	9/2000	Hannasch	114/230.1
6,349,661	B1	2/2002	Dusek	
6,513,449	B1 *	2/2003	Stewart et al.	114/219
7,066,102	B1 *	6/2006	Tossavainen	114/230.1

7,237,502	B1 *	7/2007	Atkinson	114/219
7,322,307	B1 *	1/2008	Perry	114/219
7,370,595	B1 *	5/2008	Ahlquist	114/219
7,862,258	B2 *	1/2011	Meyers et al.	405/215
7,971,546	B1 *	7/2011	Sandor, Sr.	114/219
8,353,446	B2	1/2013	Cox	
9,028,174	B1 *	5/2015	Hudgins	405/212
2004/0221788	A1 *	11/2004	Sievewright	114/219
2010/0107954	A1 *	5/2010	Hall	114/230.15

* cited by examiner

Primary Examiner — Cynthia M Chin

(74) *Attorney, Agent, or Firm* — Molly D. McKay

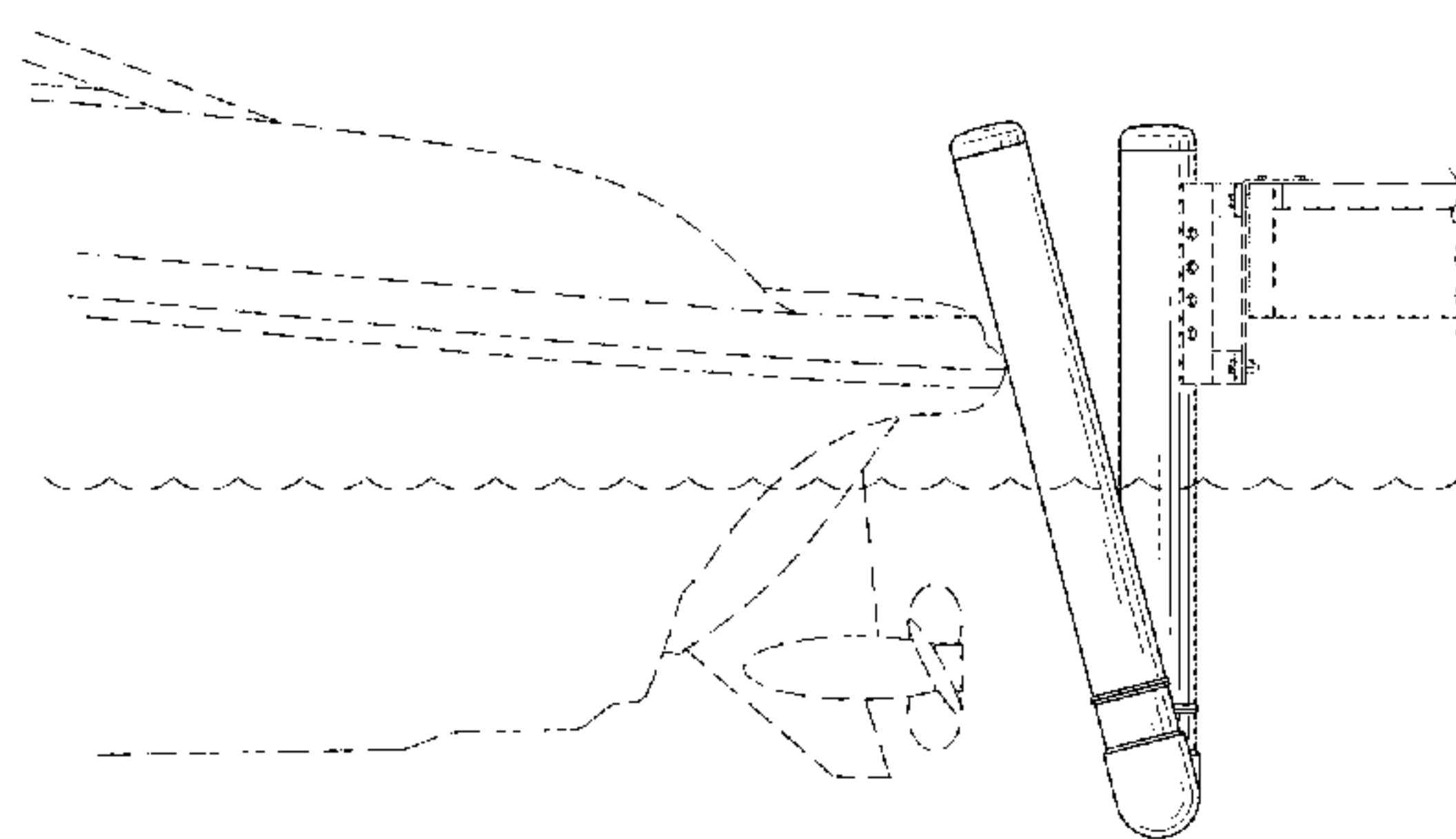
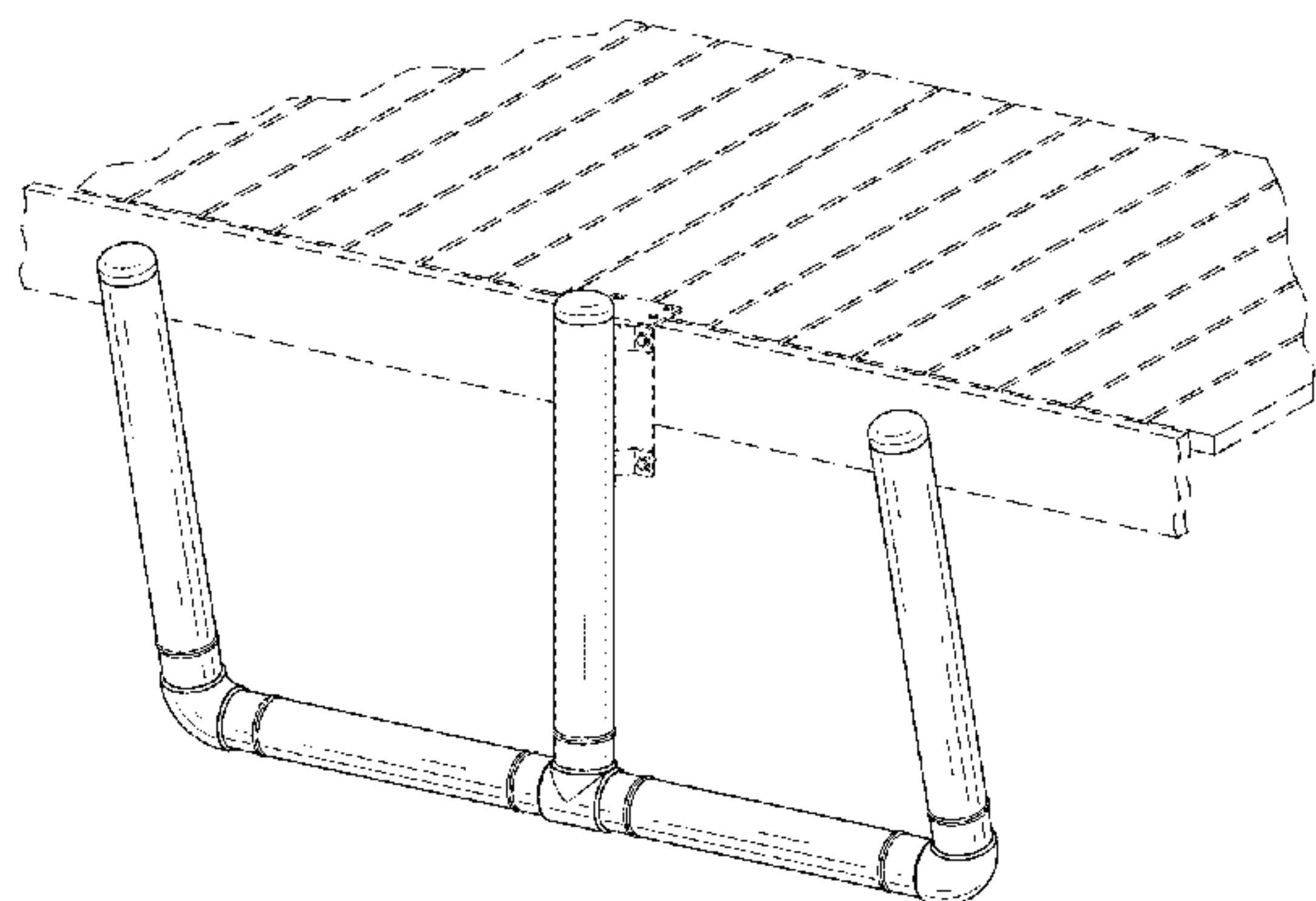
(57) **CLAIM**

The ornamental design for a boat docking backstop, as shown and described.

DESCRIPTION

FIG. 1 is a front perspective view of a boat docking backstop (with boat dock shown in broken lines);
FIG. 2 is a left side elevation thereof (with a boat and boat dock shown in broken lines);
FIG. 3 is a front elevation thereof;
FIG. 4 is a rear elevation thereof;
FIG. 5 is a top plan view thereof; and,
FIG. 6 is a bottom plan view thereof.
The broken lines represent the environment in which the article resides and form no part of the claim.

1 Claim, 3 Drawing Sheets



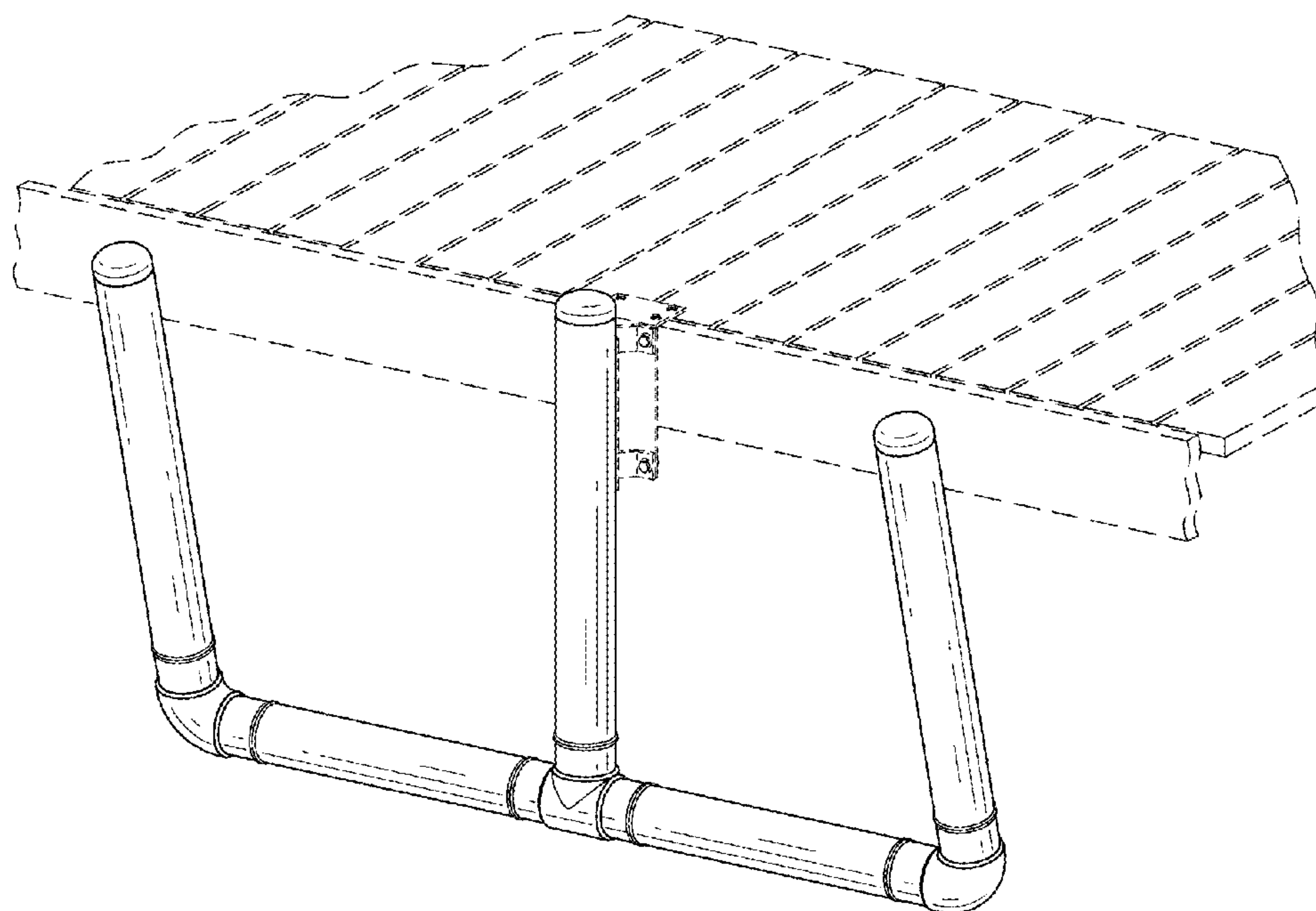


FIG. 1

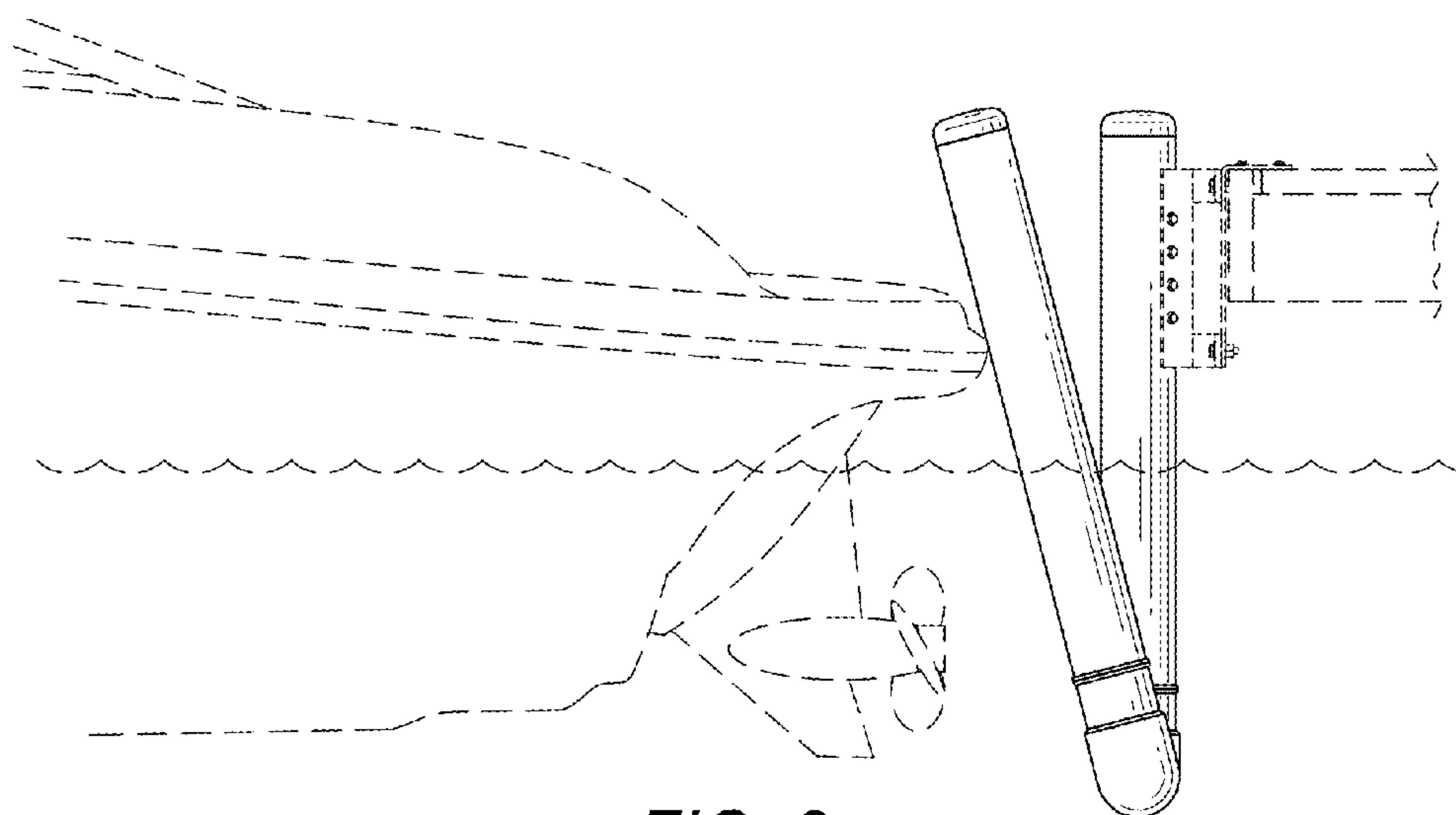


FIG. 2

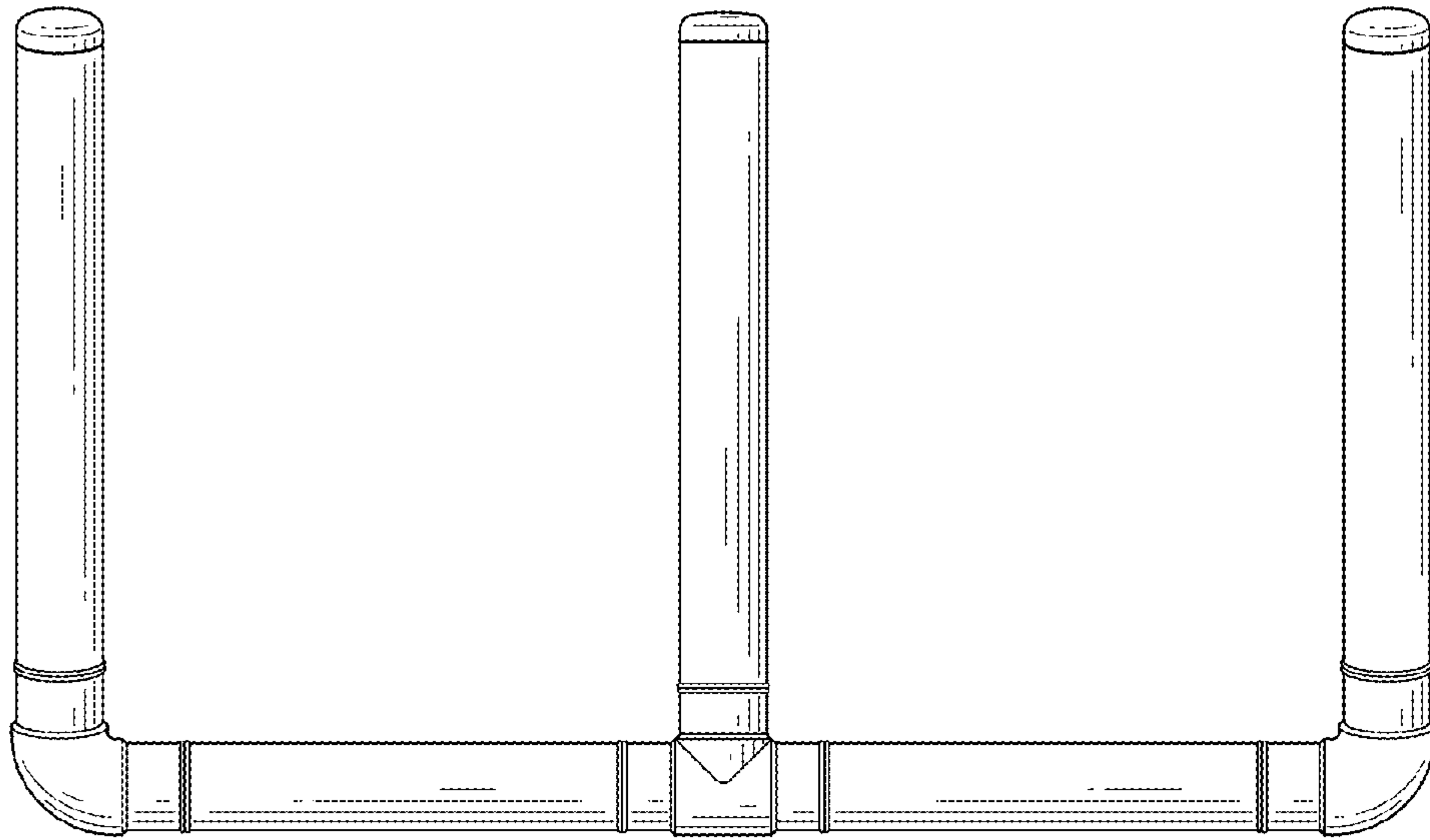


FIG. 3

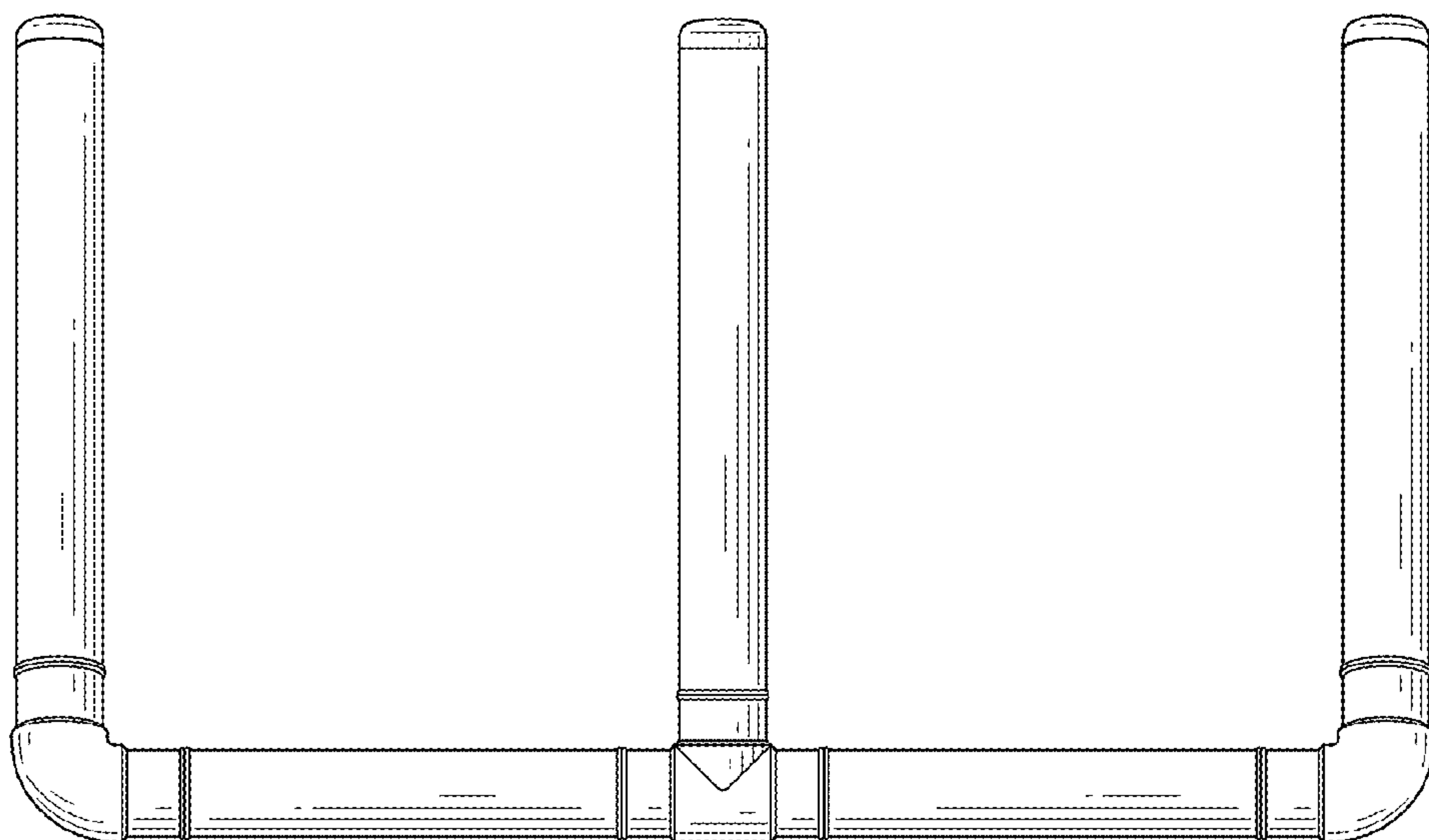


FIG. 4

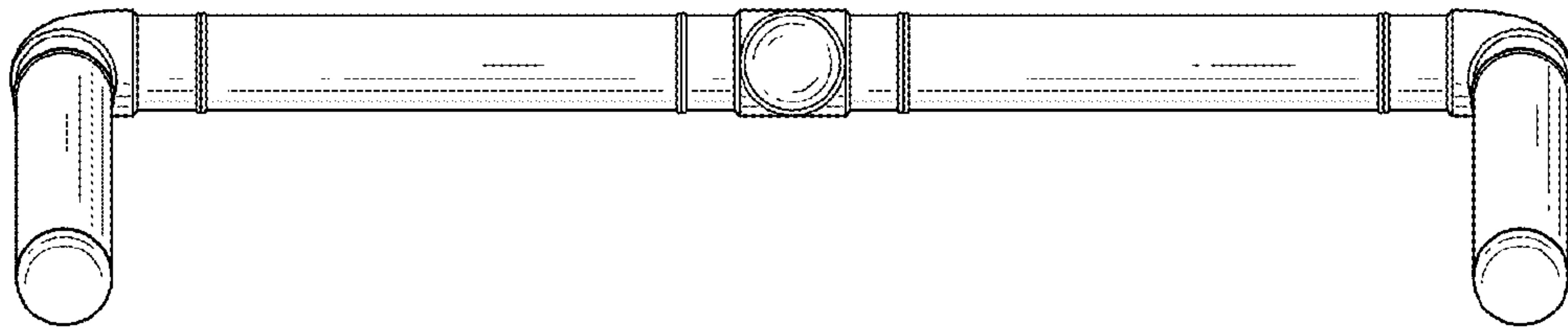


FIG. 5

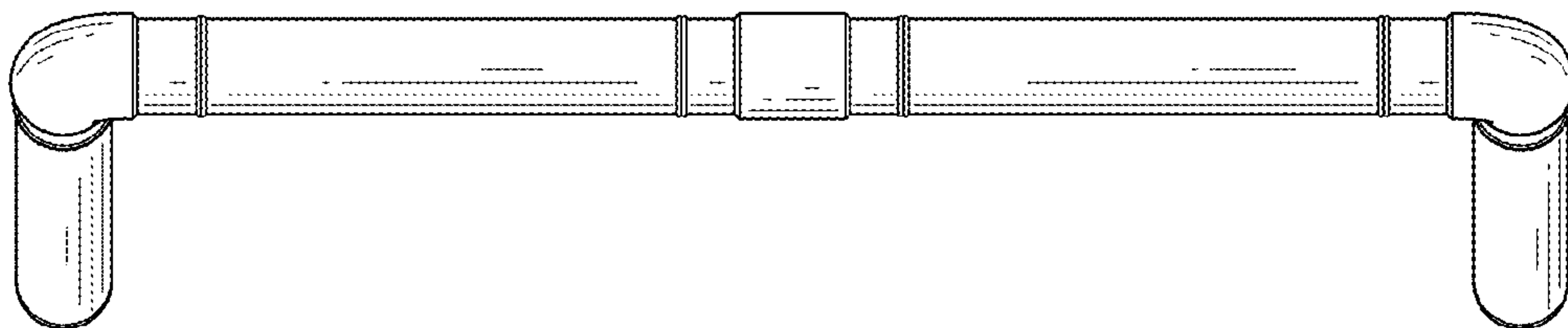


FIG. 6