



US00D740738S

(12) **United States Design Patent**
Emch

(10) **Patent No.:** **US D740,738 S**
(45) **Date of Patent:** **** Oct. 13, 2015**

- (54) **CONSTRUCTION BARGE DECK**
- (71) Applicant: **Mid-America Foundation Supply Inc.**,
Fort Wayne, IN (US)
- (72) Inventor: **Jeffrey J. Emch**, Butler, IN (US)
- (73) Assignee: **Mid-America Foundation Supply Inc.**,
Fort Wayne, IN (US)
- (**) Term: **14 Years**
- (21) Appl. No.: **29/468,259**
- (22) Filed: **Sep. 27, 2013**
- (51) **LOC (10) Cl.** **12-06**
- (52) **U.S. Cl.**
USPC **D12/316**
- (58) **Field of Classification Search**
USPC D12/300, 316, 317, 318
CPC B63B 35/00; B63B 35/28; B63B 35/34;
B63B 35/38; B63B 35/44; B63B 9/00; B63B
9/06; B63B 25/00; B63B 25/004; B63B
25/006; B63B 3/00; B63B 3/08; B63B 3/48;
B63B 5/00; B63B 5/14; B63B 5/24
See application file for complete search history.

- (56) **References Cited**
U.S. PATENT DOCUMENTS

2,604,866	A	7/1952	Alcorn	
2,605,733	A	8/1952	Smith	
2,847,961	A	8/1958	Meckenstock	
3,057,315	A	10/1962	Probishaw	
3,283,517	A	11/1966	Phillips	
3,289,621	A	12/1966	Sebring	
3,889,619	A	6/1975	Glassmeyer	
4,011,826	A	3/1977	Yee	
4,768,456	A *	9/1988	Jones et al.	114/266
5,281,055	A *	1/1994	Neitzke et al.	405/219
5,613,339	A	3/1997	Pollock	

- | | | | | |
|--------------|------|---------|-------------------|---------|
| 5,915,325 | A | 6/1999 | Gerber et al. | |
| 6,073,572 | A * | 6/2000 | Gruhn et al. | 114/263 |
| 6,179,525 | B1 * | 1/2001 | Gruhn et al. | 405/219 |
| 6,374,763 | B1 * | 4/2002 | Hartman | 114/263 |
| D482,315 | S * | 11/2003 | Bridge et al. | D12/316 |
| 8,079,320 | B1 | 12/2011 | Suriani | |
| D667,772 | S * | 9/2012 | Hendren | D12/316 |
| 8,292,547 | B2 * | 10/2012 | Johanneck et al. | 405/219 |
| 8,528,494 | B2 * | 9/2013 | Moody | 114/263 |
| 8,671,867 | B1 | 3/2014 | Emch | |
| D719,077 | S * | 12/2014 | Emch | D12/316 |
| 2004/0058599 | A1 | 3/2004 | Johnson | |
| 2005/0109255 | A1 | 5/2005 | Williamson et al. | |
| 2009/0134171 | A1 | 5/2009 | deBerardinis | |
| 2009/0283025 | A1 | 11/2009 | Bigler et al. | |
| 2012/0220178 | A1 | 8/2012 | Emch | |
| 2013/0019791 | A1 | 1/2013 | Schmidt et al. | |

OTHER PUBLICATIONS

Poseidon Barge Corporation Brochure, prior to Nov. 3, 2008.
Shugart Barges Product Brochure, at least as early as Oct. 30, 2011.
Shugart Manufacturing, Product Brochure, 2003.

(Continued)

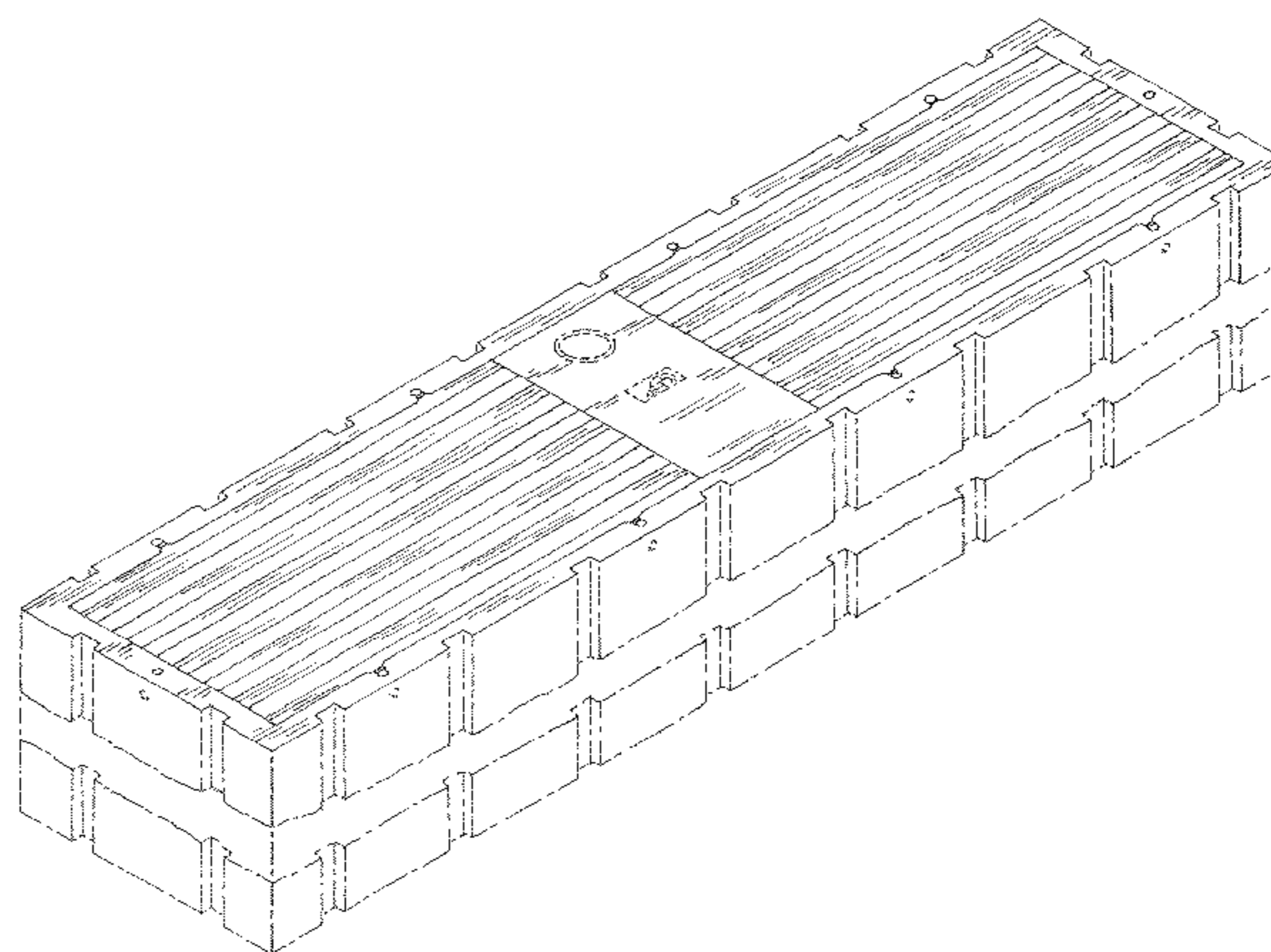
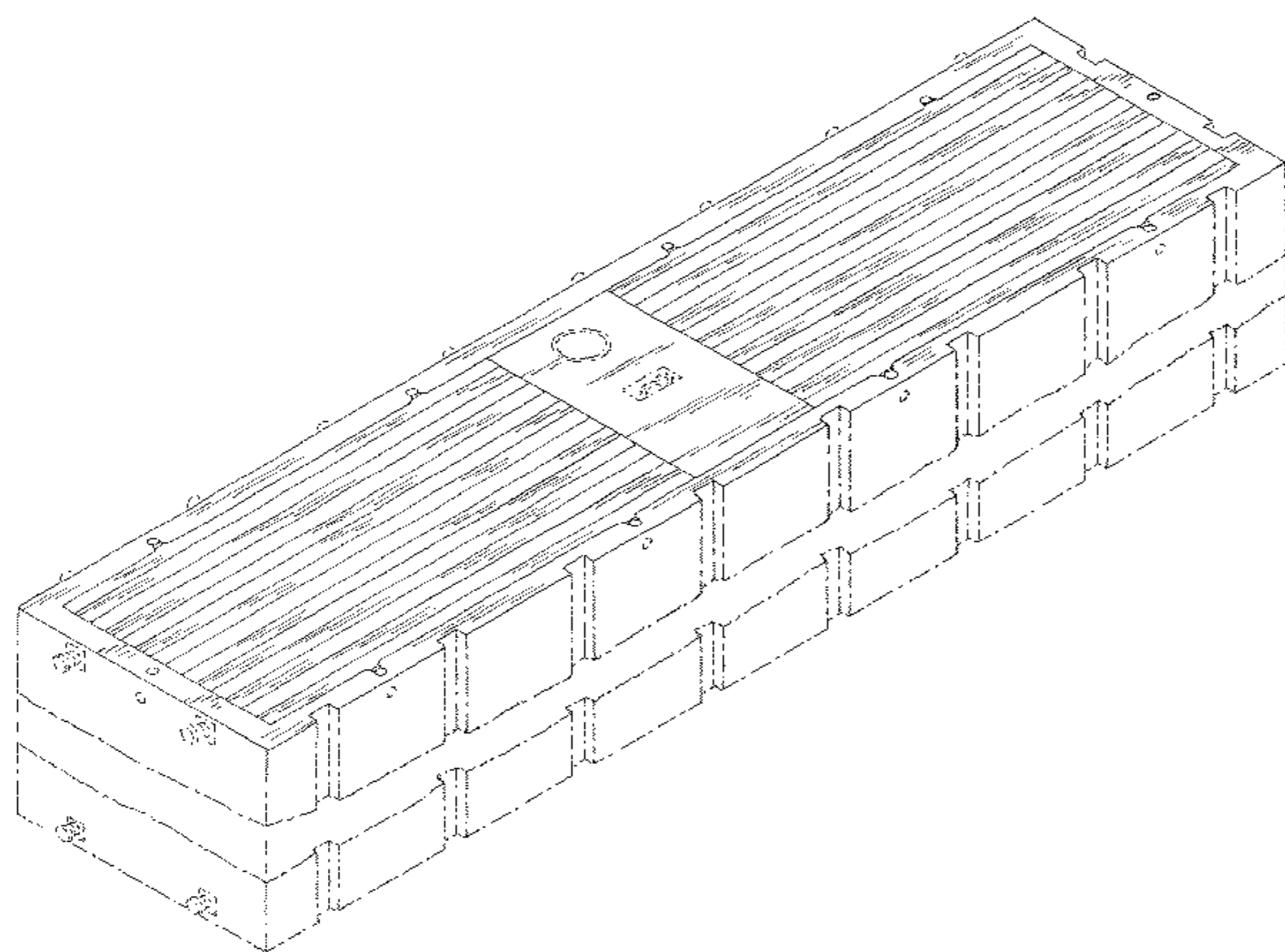
Primary Examiner — Cynthia M Chin
(74) *Attorney, Agent, or Firm* — Faegre Baker Daniels LLP

(57) **CLAIM**
The ornamental design for a construction barge deck, as shown and described.

DESCRIPTION

FIG. 1 is a perspective view of a construction barge deck according to a first embodiment; and FIG. 2 is a top view thereof. FIG. 3 is a perspective view of a construction barge deck according to a second embodiment; and, FIG. 4 is a top view thereof. The features shown in dashed lines form no part of the claimed design.

1 Claim, 4 Drawing Sheets



(56)

References Cited

OTHER PUBLICATIONS

New Shugart Compatible Sectional Barges, posted at Waterways Equipment Exchange, [online], [site visited Feb. 25, 2014]. Available from Internet, <URL: <http://www.waterwayequipment.com/sb1755.htm>, at least as early as Sep. 27, 2013.

Truckable Barges, posted at Truckable Barge, [online], [site visited Feb. 25, 2014]. Available from Internet, <URL: [http:// www.maritimesales.com/ROS17/htm](http://www.maritimesales.com/ROS17/htm), at least as early as Sep. 27, 2013.

10x40x5 Section barge shugart compatible, posted at Barges & Workboats for Sale, [online]m [site visited Feb. 25, 2014]. Available from Internet, <URL:<http://www.bargesandworkboatsforsale.com/10x40x5-sectional-barge-shugart-compatible-26000-each/>, at least as early as Sep. 27, 2013.

* cited by examiner

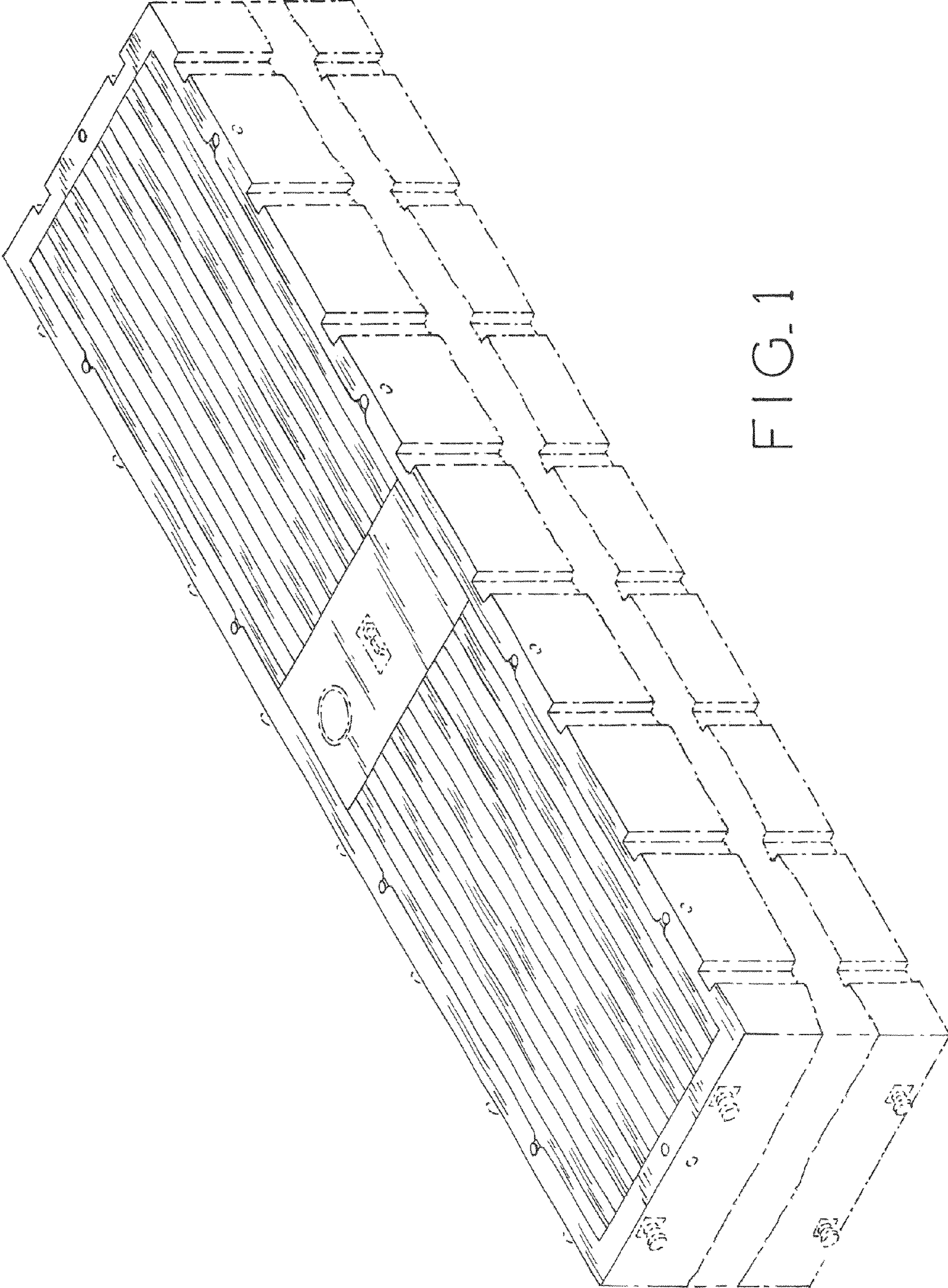


FIG. 1

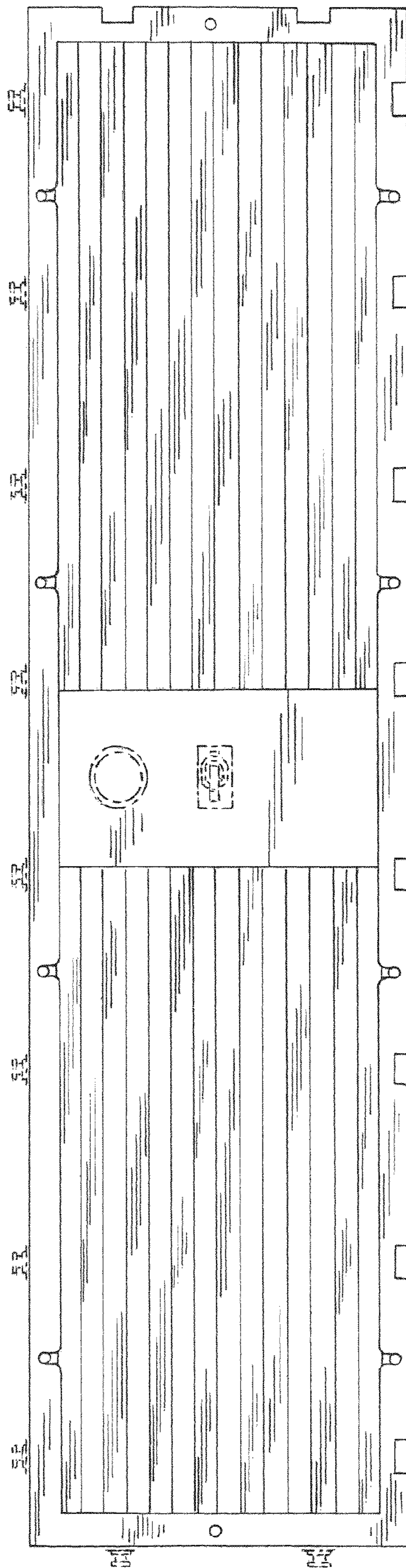


FIG.2

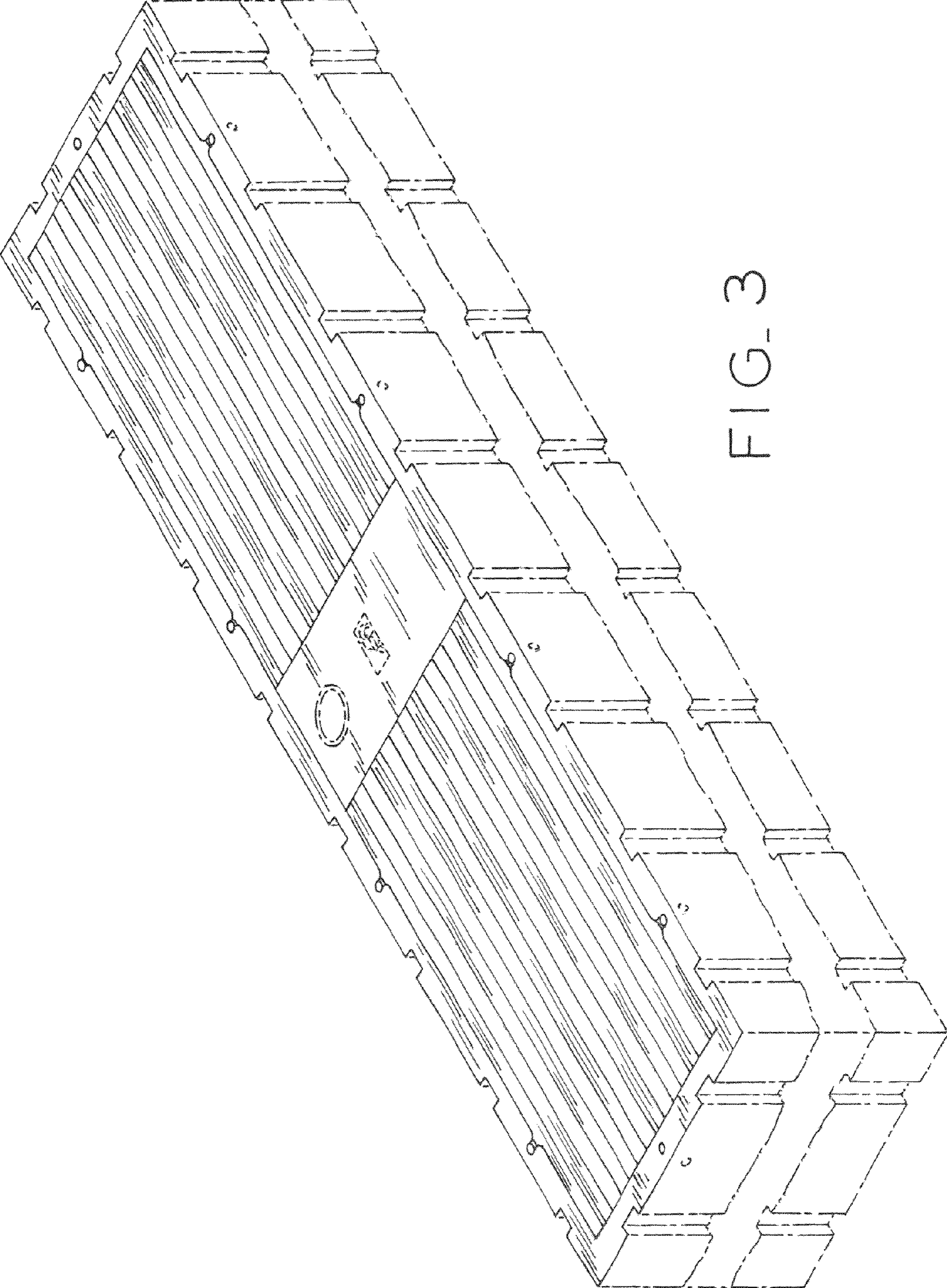


FIG. 3

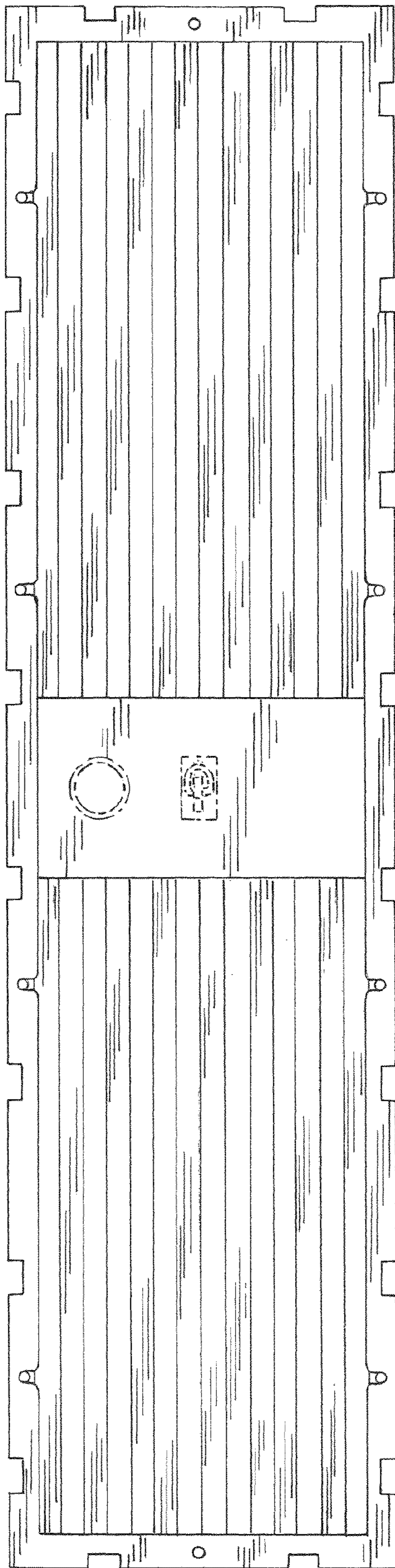


FIG. 4