



US00D740733S

(12) **United States Design Patent**
Rich

(10) **Patent No.:** **US D740,733 S**
(45) **Date of Patent:** **** Oct. 13, 2015**

- (54) **SHROUD FOR MOUNTING ON MOTORCYCLE EXHAUST PIPE**
- (71) Applicant: **Donald A. Rich**, San Pablo, CA (US)
- (72) Inventor: **Donald A. Rich**, San Pablo, CA (US)
- (73) Assignee: **Thunderheader Racing Products, Inc.**, San Pablo, CA (US)
- (**) Term: **14 Years**
- (21) Appl. No.: **29/489,958**
- (22) Filed: **May 5, 2014**
- (51) **LOC (10) Cl.** **12-16**
- (52) **U.S. Cl.**
USPC **D12/194**
- (58) **Field of Classification Search**
USPC D12/194; D15/5; 293/113; 29/890.08; 180/89.2, 296, 309; 181/247-249, 264, 181/282, 239-241, 227, 228; 60/303, 313, 60/323; 138/37-39, 44, 103, 109
CPC F01N 13/082; F01N 13/085; F01N 13/087
See application file for complete search history.

D397,661	S *	9/1998	Harutiunian	D12/194
5,811,688	A *	9/1998	Marsh et al.	73/861.25
7,686,131	B1 *	3/2010	Osterkamp et al.	181/227
2003/0042250	A1 *	3/2003	Thomas	219/535
2008/0210778	A1 *	9/2008	Colosimo	239/265.19
2010/0227267	A1 *	9/2010	Shitara et al.	430/110.4
2010/0258301	A1 *	10/2010	Bonner et al.	166/230

* cited by examiner

Primary Examiner — Michael A Pratt

(74) *Attorney, Agent, or Firm* — Thomas R. Lampe

(57) **CLAIM**

The ornamental design for shroud for mounting on motorcycle exhaust pipe, as shown and described.

DESCRIPTION

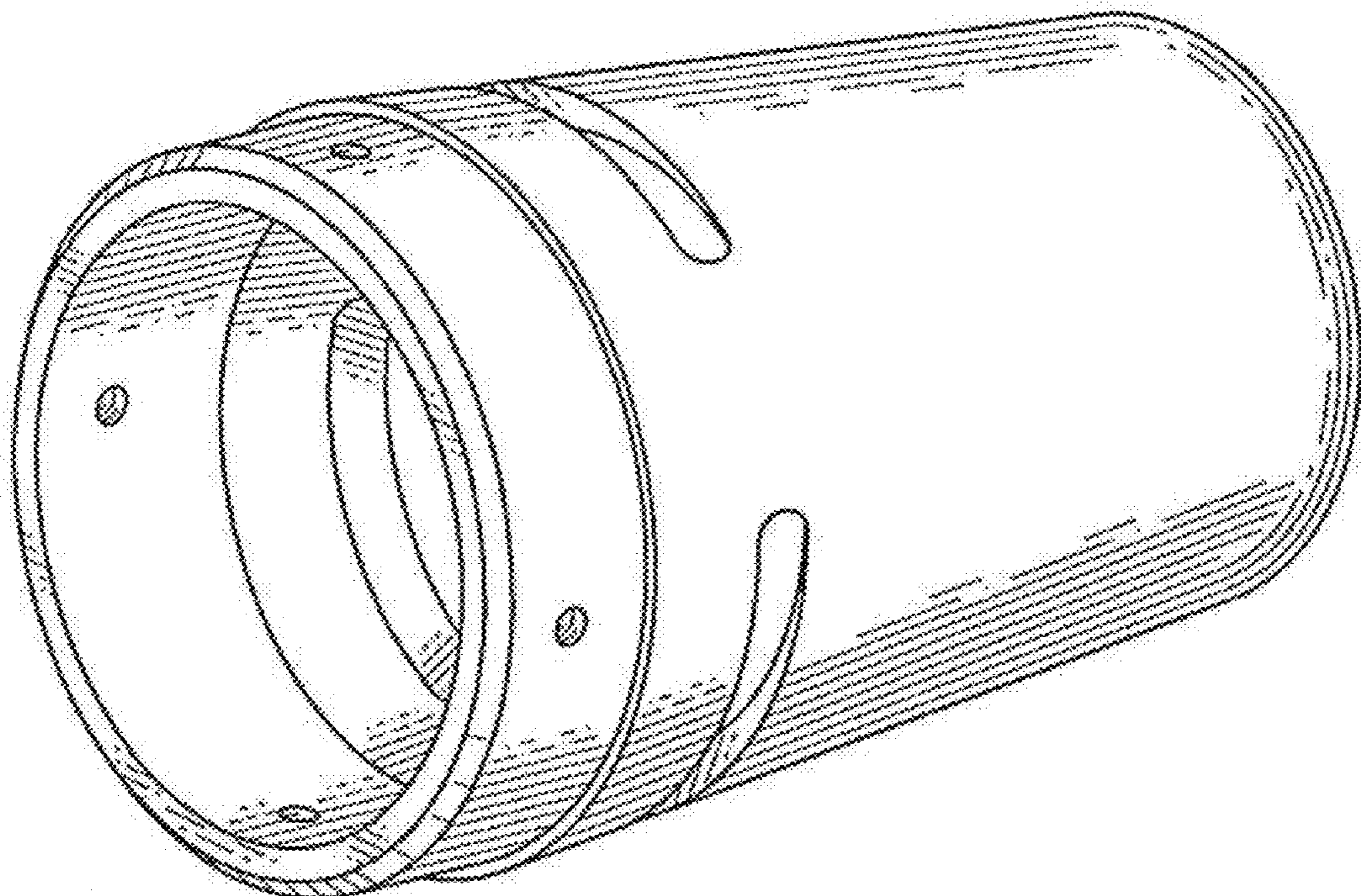
FIG. 1 is a front, right side perspective view of shroud for mounting on motorcycle exhaust pipe showing my design; FIG. 2 is a rear, right side perspective view thereof; FIG. 3 is a top plan view thereof; FIG. 4 is a front elevation view thereof; FIG. 5 is a rear elevation view thereof; and FIG. 6 is a right side elevation view thereof, the left side elevation view thereof being a mirror image; FIG. 7 is a bottom view thereof; and, FIG. 8 is a section view taken along line 8-8 in FIG. 5.

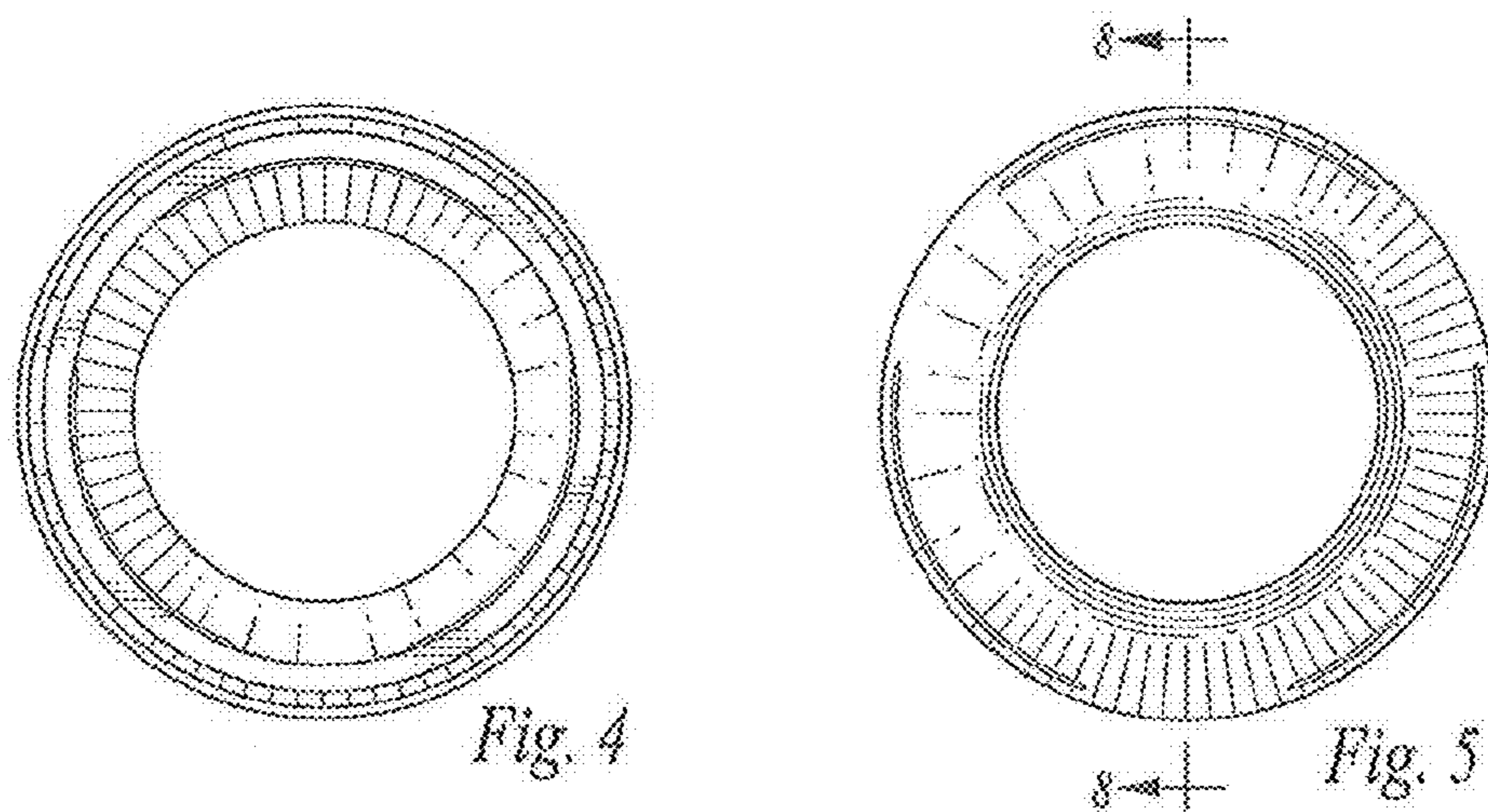
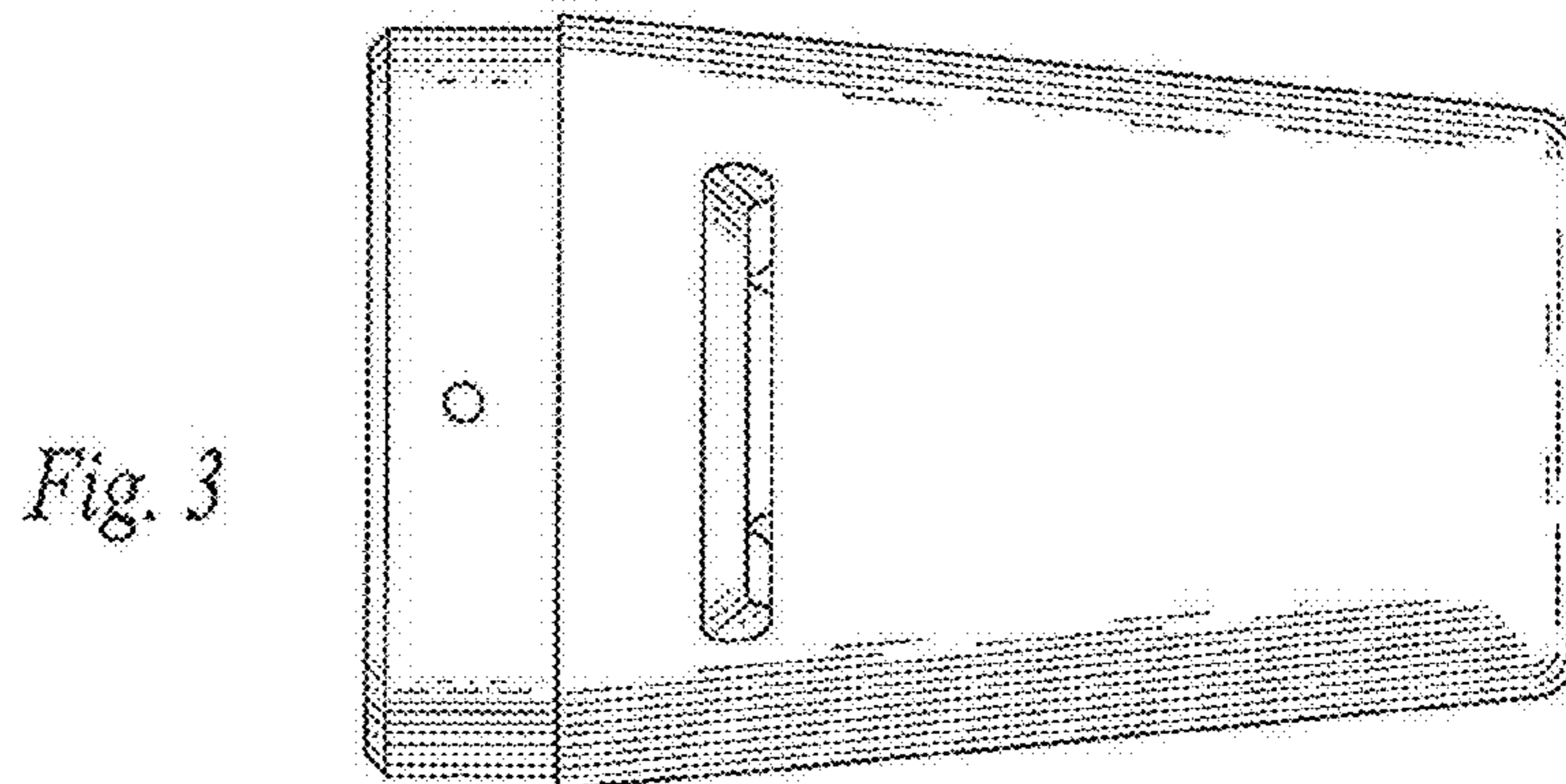
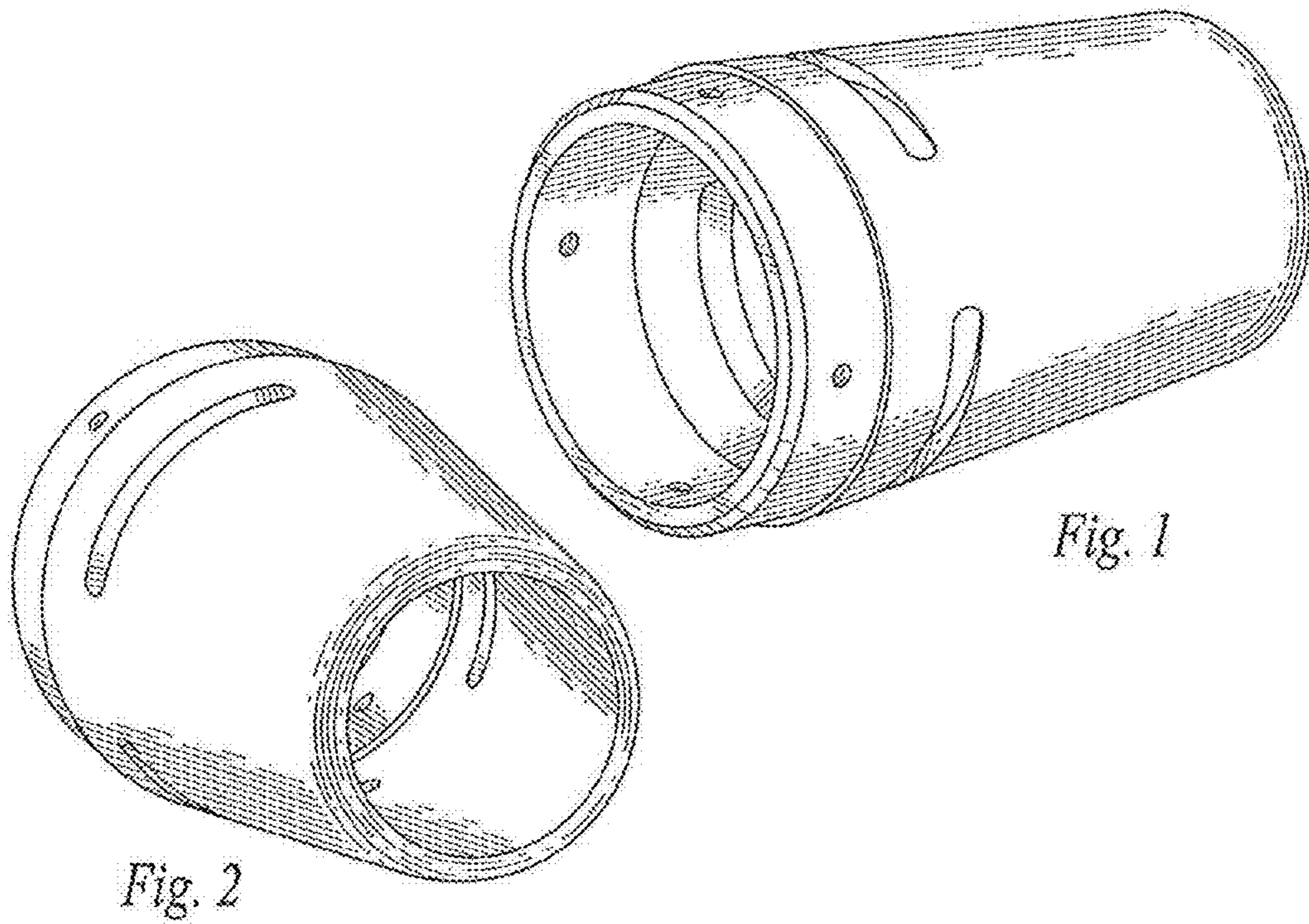
1 Claim, 2 Drawing Sheets

(56) **References Cited**

U.S. PATENT DOCUMENTS

2,719,197	A *	9/1955	Hall et al.	335/208
5,440,875	A *	8/1995	Torkelson et al.	60/226.1





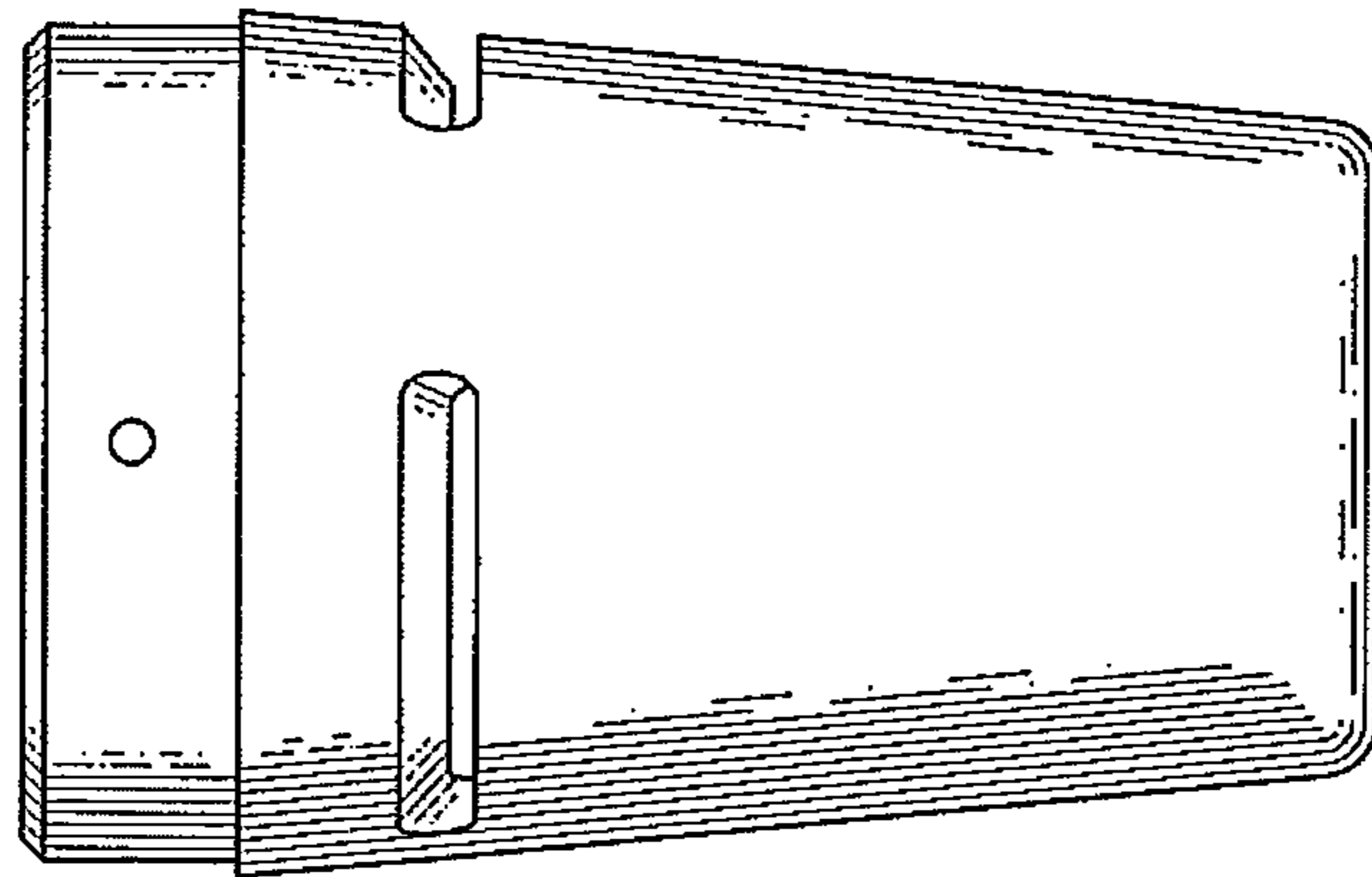


Fig. 6

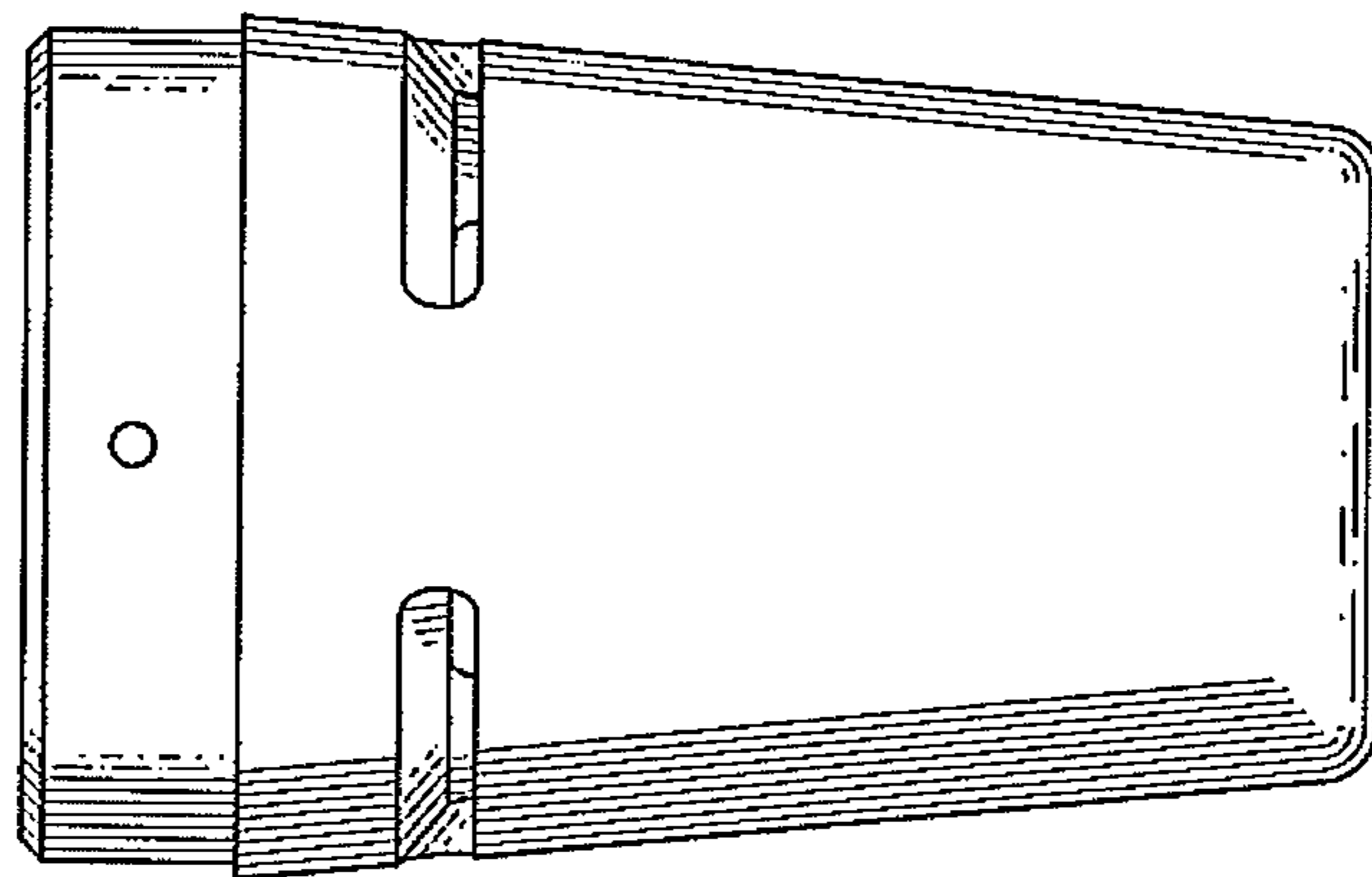


Fig. 7

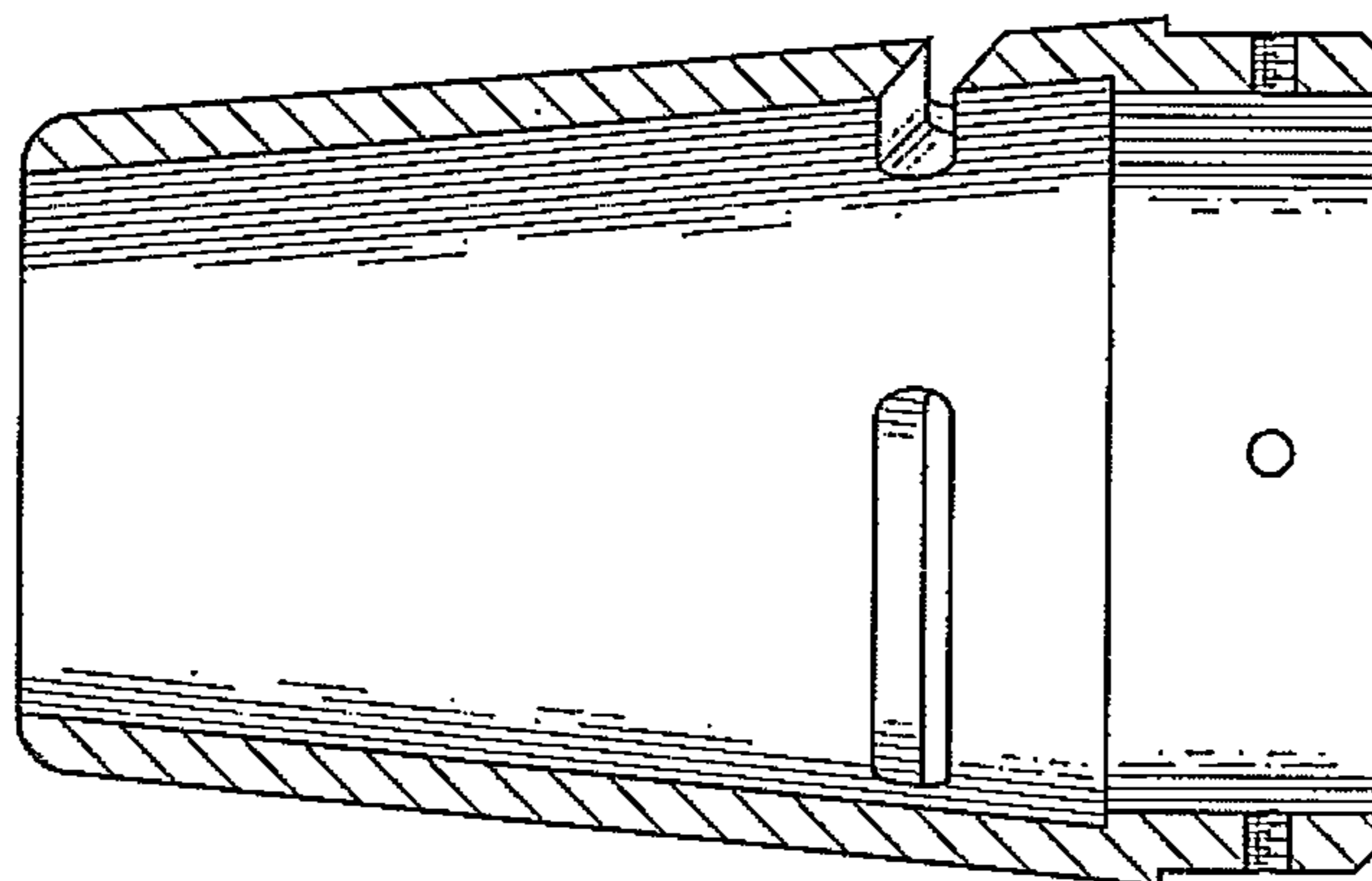


Fig. 8