



US00D740728S

(12) **United States Design Patent**  
**Gunnarson**

(10) **Patent No.:** **US D740,728 S**

(45) **Date of Patent:** **\*\* Oct. 13, 2015**

(54) **BUMPER**

FOREIGN PATENT DOCUMENTS

(71) Applicant: **Volvo Car Corporation**, Göteborg (SE)

AU 348461 5/2013

(72) Inventor: **Anders Gunnarson**, Kullavik (SE)

OTHER PUBLICATIONS

(73) Assignee: **Volvo Car Corporation**, Gothenburg (SE)

Volvo V526 photos (10 pages).  
OHIM Registration No. 000869151-0001, registered Jan. 30, 2008 (3 pages).  
Office Action dated Mar. 19, 2015 in pending Russian Application No. 2014502805, filed Jul. 22, 2014 (3 pages).  
English Translation of Office Action dated Mar. 19, 2015 in pending Russian Application No. 2014502805, filed Jul. 22, 2014 (2 pages).

(\*\*) Term: **14 Years**

(21) Appl. No.: **29/496,464**

(22) Filed: **Jul. 14, 2014**

\* cited by examiner

(30) **Foreign Application Priority Data**

*Primary Examiner* — Melody N Brown

Jan. 28, 2014 (EM) ..... 001405690

(74) *Attorney, Agent, or Firm* — Renner, Otto, Boisselle & Sklar, LLP

(51) **LOC (10) Cl.** ..... **12-16**

(52) **U.S. Cl.**  
USPC ..... **D12/169**

(58) **Field of Classification Search**  
USPC ..... D12/169, 216, 90–92, 86, 171, 196,  
D12/163; 293/102, 113, 115, 117, 120;  
296/180.1, 180.2

CPC . B60R 19/52; B60R 2019/25; B62D 25/0845  
See application file for complete search history.

(57) **CLAIM**

The ornamental design for a bumper, as shown and described.

(56) **References Cited**

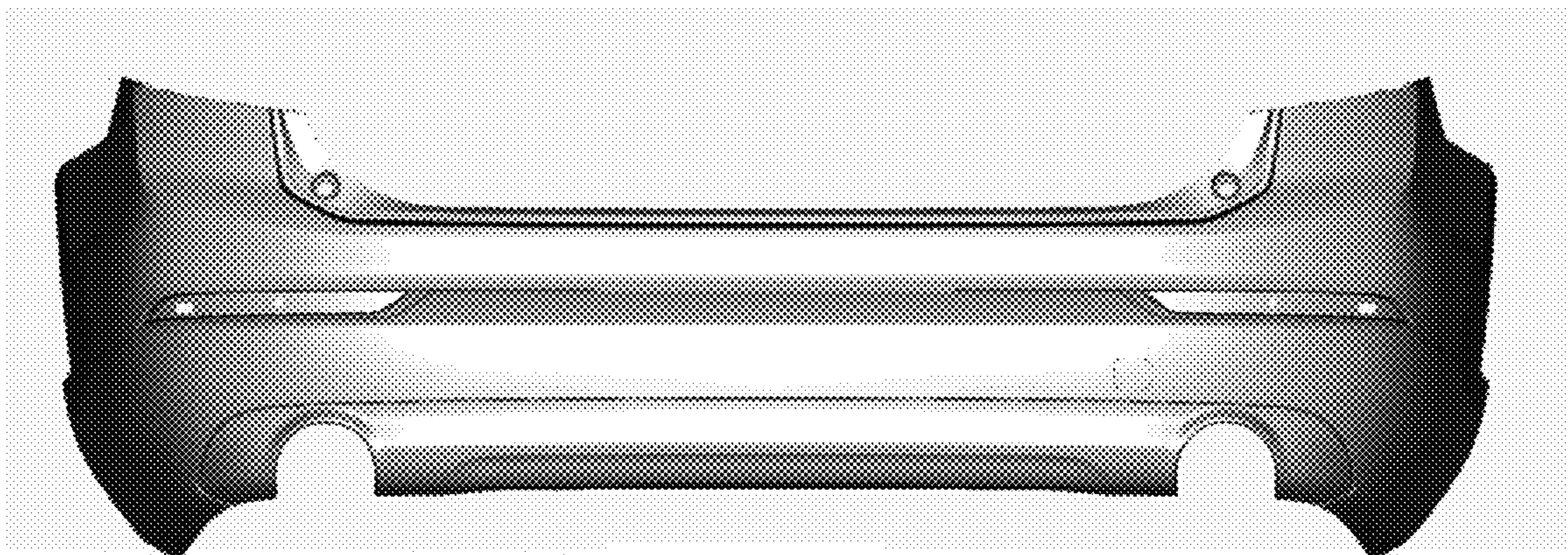
**DESCRIPTION**

U.S. PATENT DOCUMENTS

D698,290 S *	1/2014	Mori et al.	.....	D12/169
D703,592 S *	4/2014	Kwon et al.	.....	D12/169
D713,304 S *	9/2014	Tsuchida et al.	.....	D12/169
D714,196 S *	9/2014	Mays et al.	.....	D12/169
D715,708 S *	10/2014	Mays et al.	.....	D12/169
D718,678 S *	12/2014	Ishizuka et al.	.....	D12/169

FIG. 1 is a perspective view of a bumper showing my new design.  
FIG. 2 is another perspective view thereof.  
FIG. 3 is a front view thereof.  
FIG. 4 is a rear view thereof.  
FIG. 5 is a top view thereof.  
FIG. 6 is a bottom view thereof; and,  
FIG. 7 is a right side view thereof, a left side view being a mirror image of the left side view.

**1 Claim, 3 Drawing Sheets**



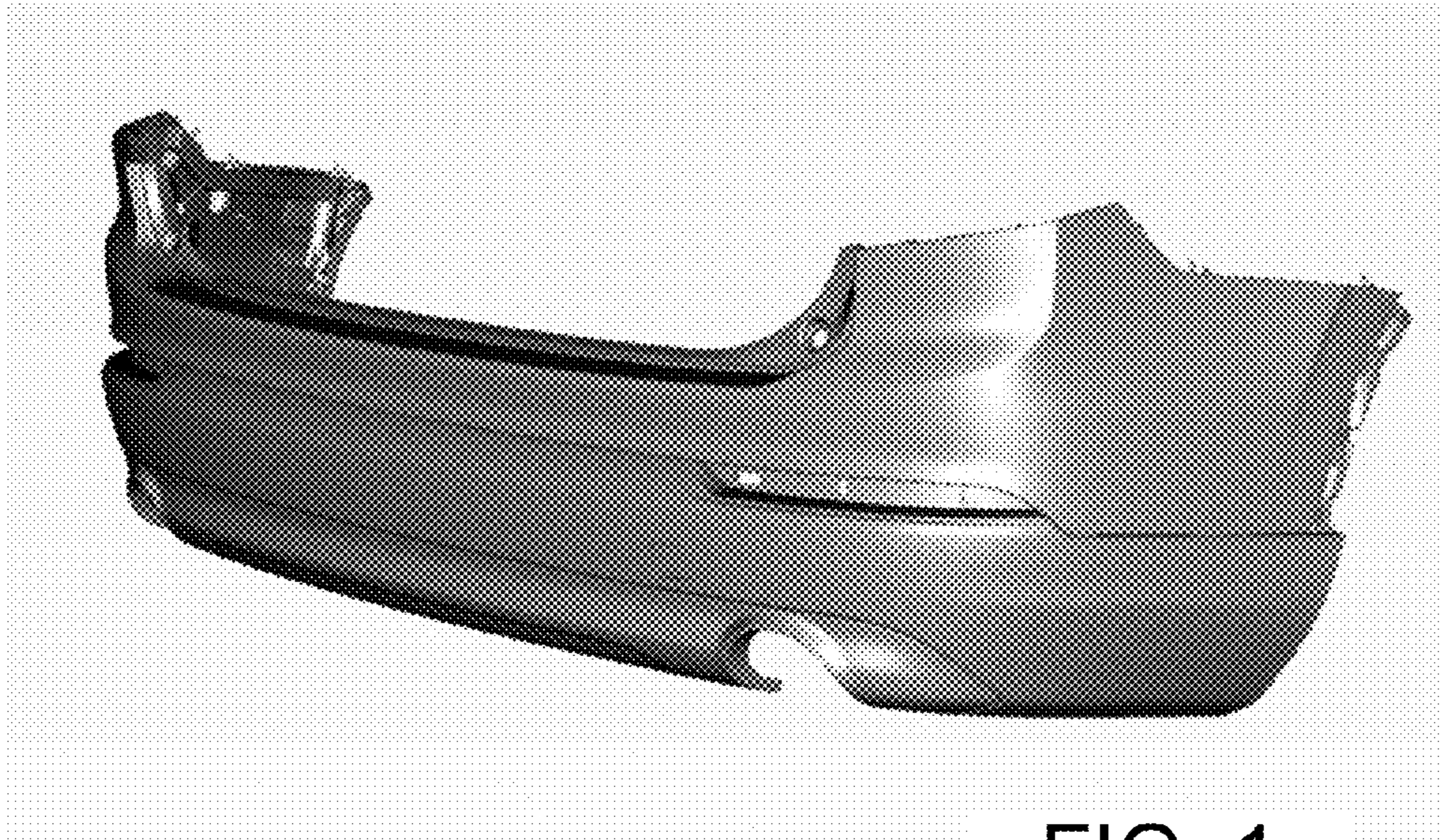


FIG. 1

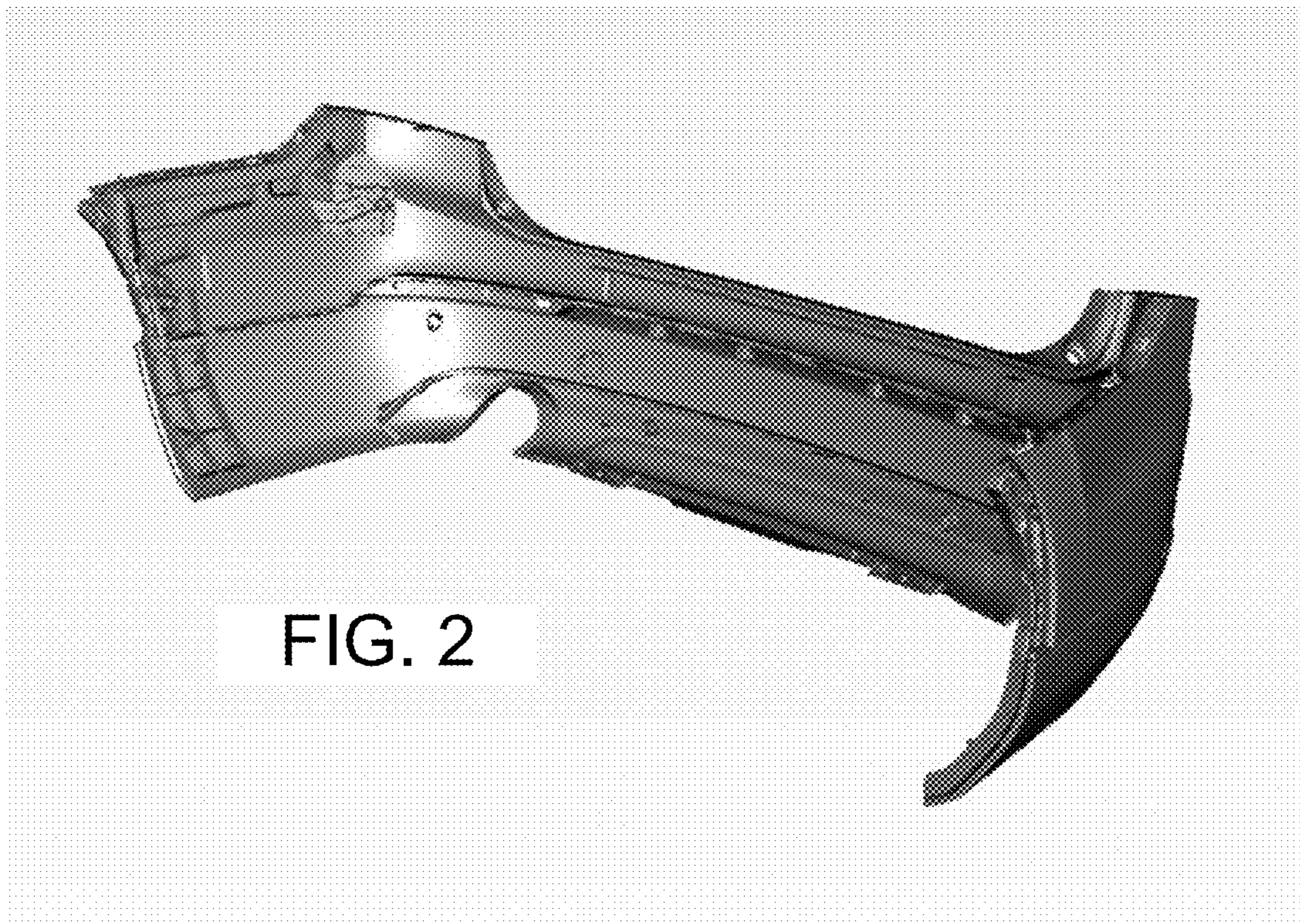


FIG. 2

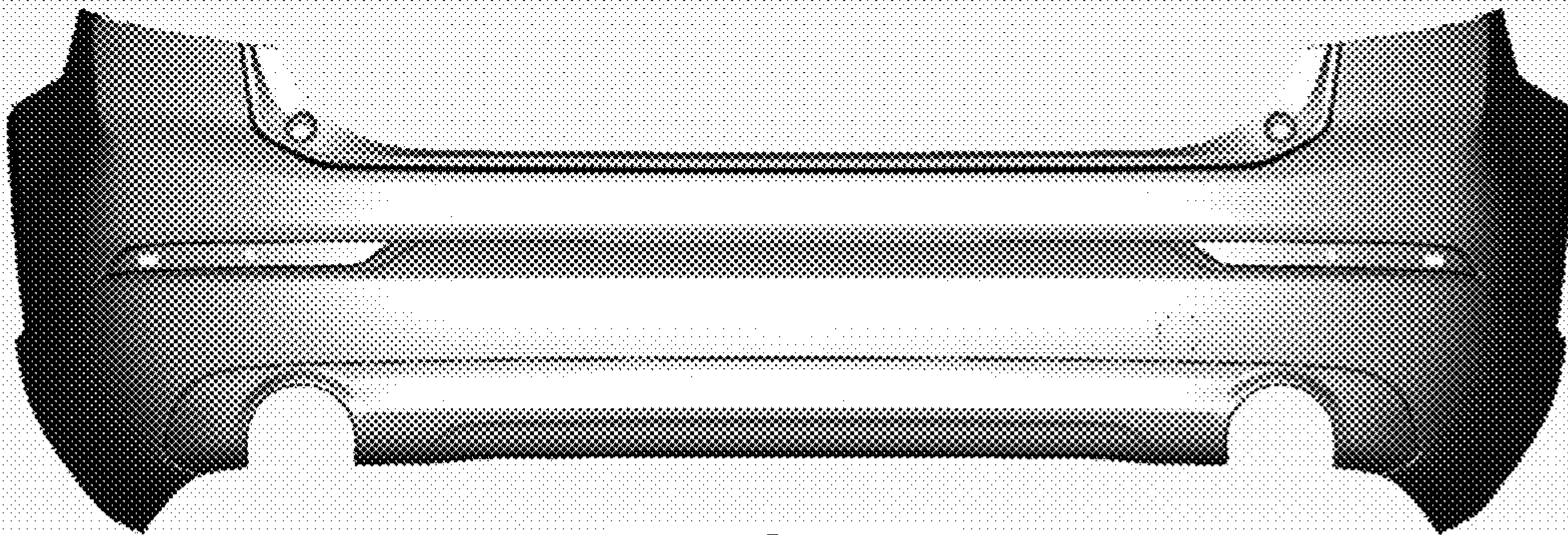


FIG. 3

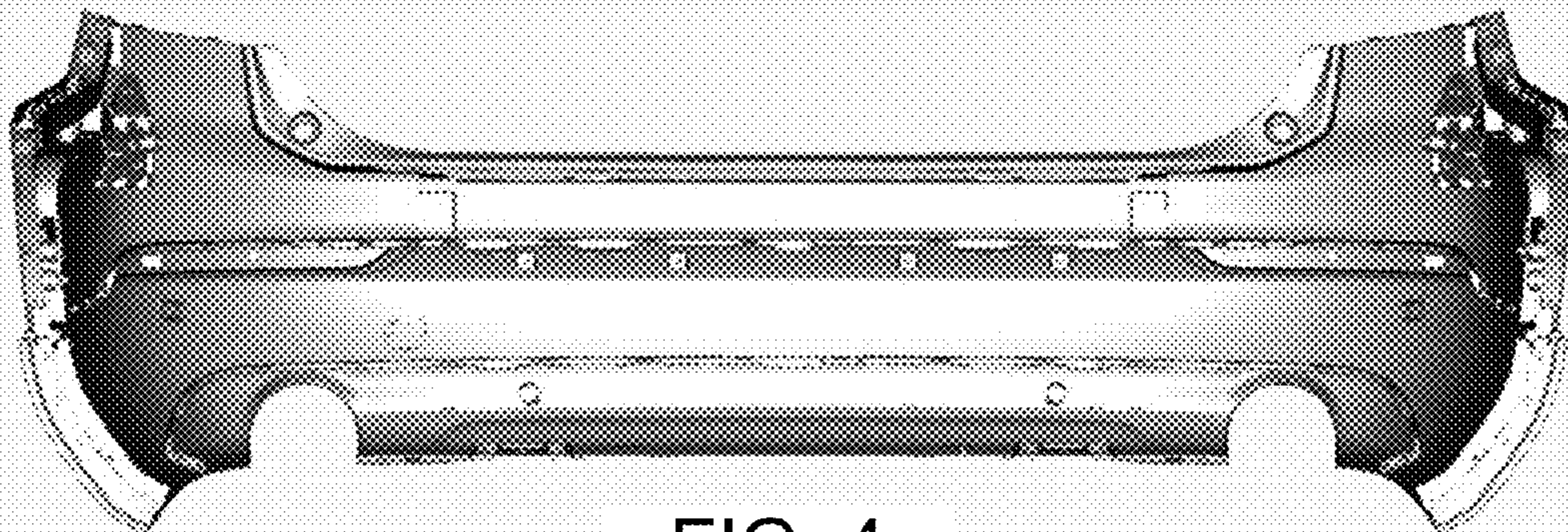


FIG. 4

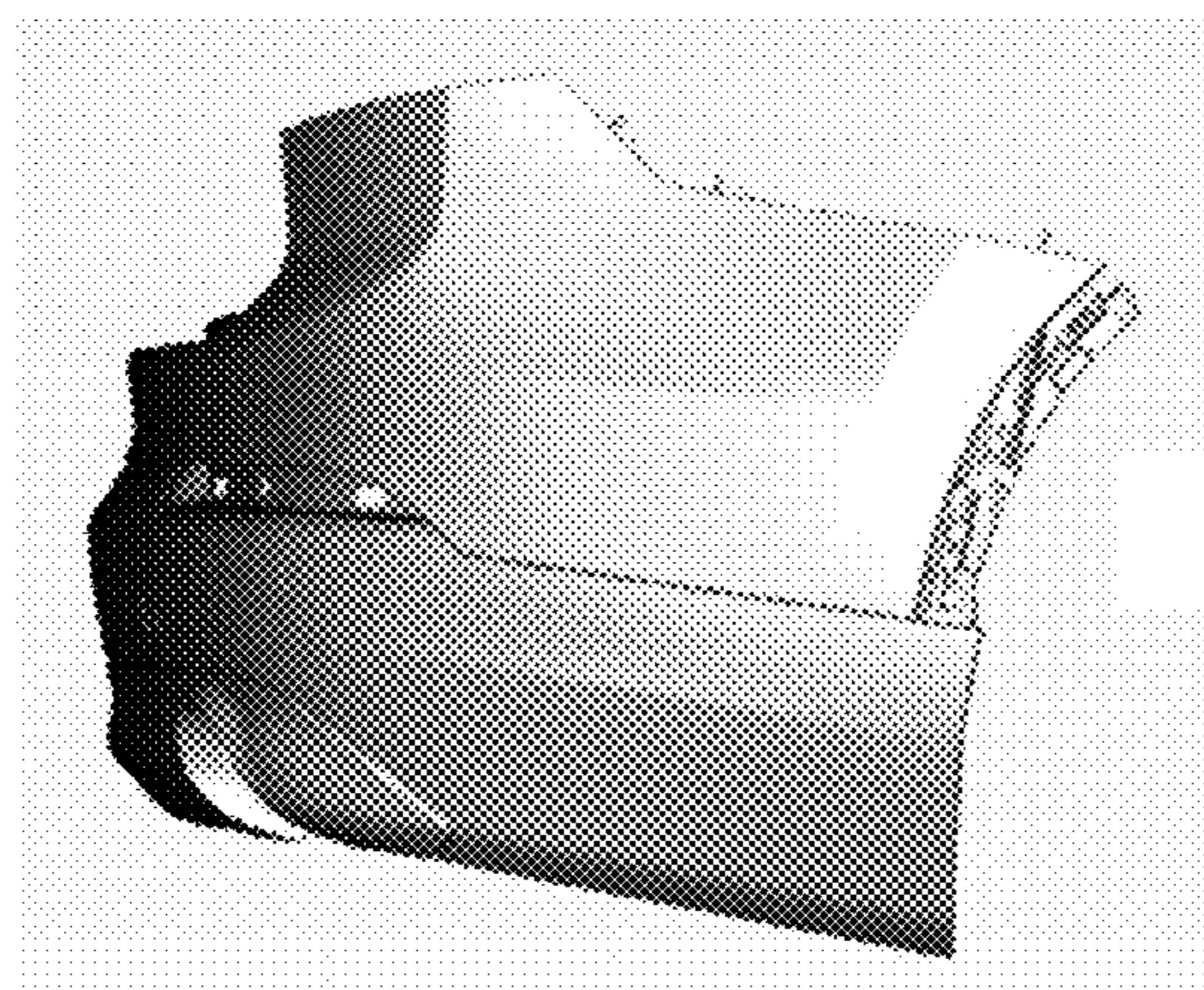
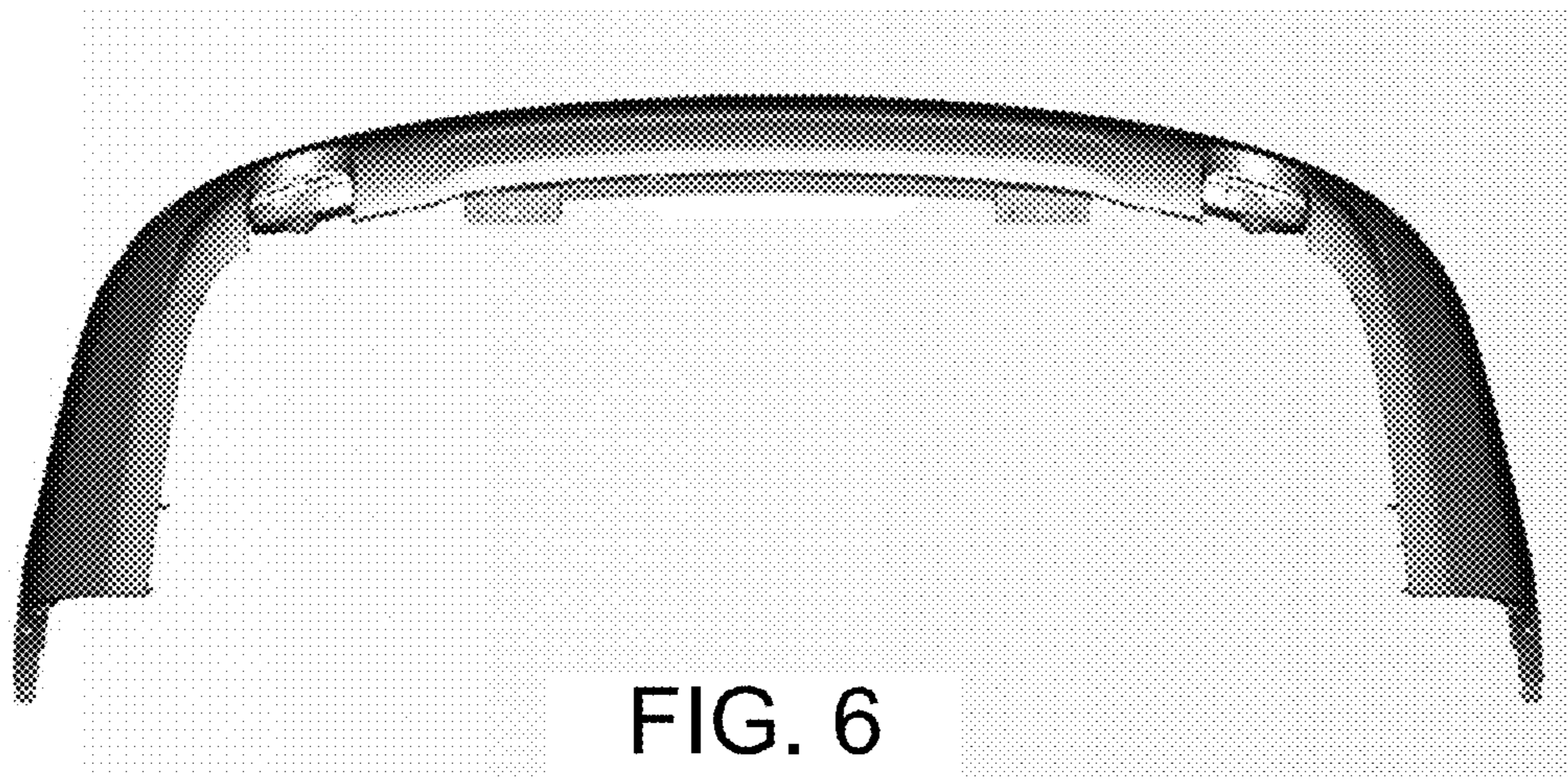
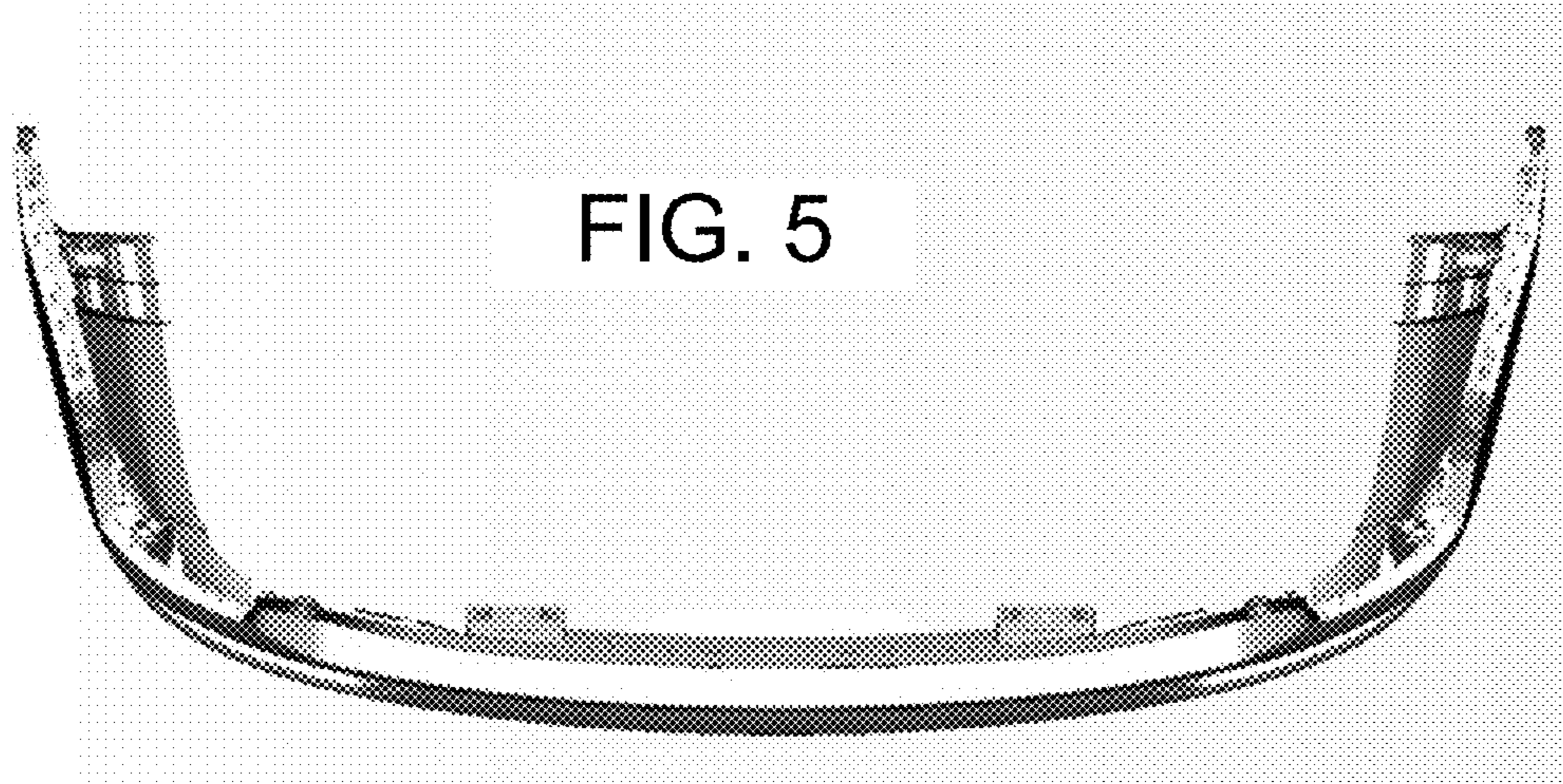


FIG. 7