



US00D740723S

(12) **United States Design Patent**  
**Sugiura**

(10) **Patent No.:** **US D740,723 S**

(45) **Date of Patent:** **\*\* Oct. 13, 2015**

(54) **GRILL FOR AUTOMOBILE**

(71) Applicant: **Honda Motor Co., Ltd.**, Tokyo (JP)

(72) Inventor: **Ryo Sugiura**, Wako (JP)

(73) Assignee: **Honda Motor Co., Ltd.**, Tokyo (JP)

(\*\*) Term: **14 Years**

(21) Appl. No.: **29/487,380**

(22) Filed: **Apr. 8, 2014**

(30) **Foreign Application Priority Data**

Oct. 11, 2013 (JP) ..... 2013-023772

(51) **LOC (10) Cl.** ..... **12-16**

(52) **U.S. Cl.**  
USPC ..... **D12/163**

(58) **Field of Classification Search**  
USPC ..... D12/163, 196, 86, 90-92, 171, 169,  
D12/216; 180/68.1, 68.6; 293/193.11  
CPC ..... B62D 25/08; B62B 9/16; B60K 11/08;  
B60R 19/52  
See application file for complete search history.

(56) **References Cited**

**U.S. PATENT DOCUMENTS**

7,152,915 B2 \* 12/2006 Diehl et al. .... 296/193.1  
D538,716 S \* 3/2007 Hogios ..... D12/163

D598,335 S \* 8/2009 George et al. .... D12/163  
D603,305 S \* 11/2009 Woolley et al. .... D12/163  
D604,210 S \* 11/2009 Kim ..... D12/163  
D630,975 S \* 1/2011 Sperling et al. .... D12/163  
D631,405 S \* 1/2011 Kuze ..... D12/163  
8,157,303 B2 \* 4/2012 Fortin ..... 293/115  
D664,480 S \* 7/2012 Platto et al. .... D12/163  
D678,140 S \* 3/2013 Hamilton et al. .... D12/169  
D680,920 S \* 4/2013 Jara ..... D12/163  
D698,705 S \* 2/2014 Rupa ..... D12/163  
D712,317 S \* 9/2014 George et al. .... D12/163  
D716,197 S \* 10/2014 Terui ..... D12/163  
D720,263 S \* 12/2014 Pevovar et al. .... D12/163  
D723,433 S \* 3/2015 George et al. .... D12/163

\* cited by examiner

*Primary Examiner* — Melody N. Brown

(74) *Attorney, Agent, or Firm* — Plumsea Law Group, LLC

(57) **CLAIM**

The ornamental design for a grill for automobile, as shown and described.

**DESCRIPTION**

FIG. 1 is a perspective view of a grill for automobile showing my new design;  
FIG. 2 is a front elevation view thereof.  
FIG. 3 is a top plan view thereof; and,  
FIG. 4 is a right side elevation view thereof.  
The portions of the grill shown in broken lines are for the purpose of showing environmental structure only and form no part of the claimed design.

**1 Claim, 4 Drawing Sheets**

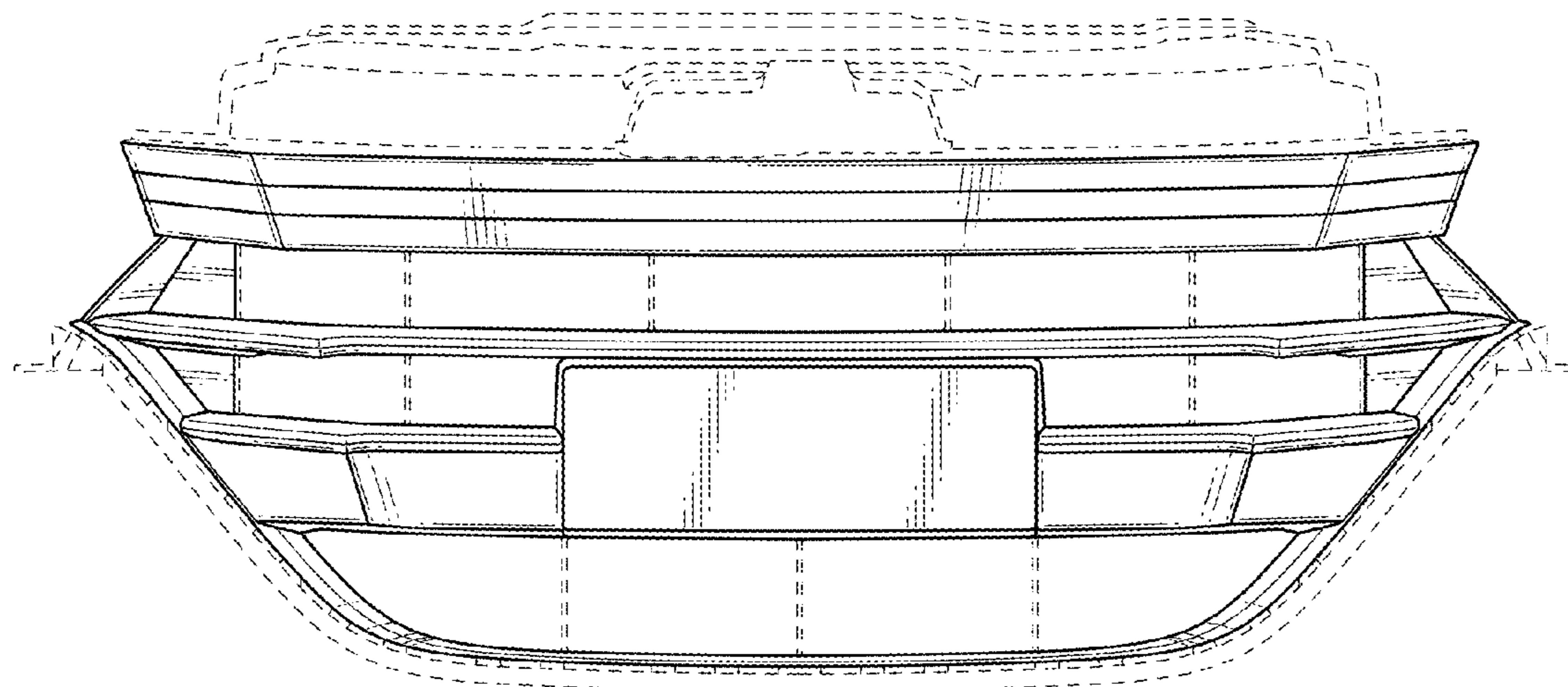


FIG. 1

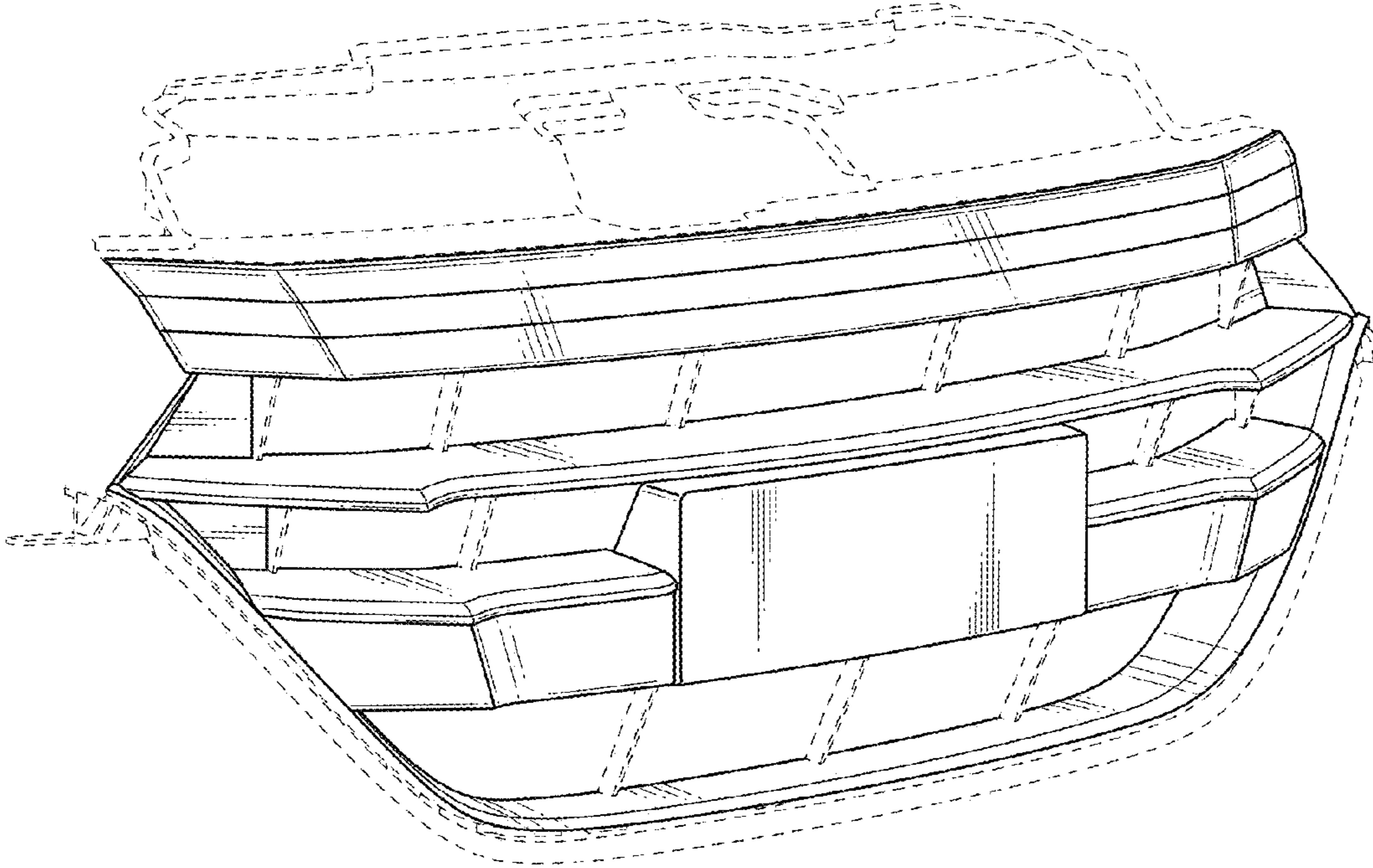


FIG. 2

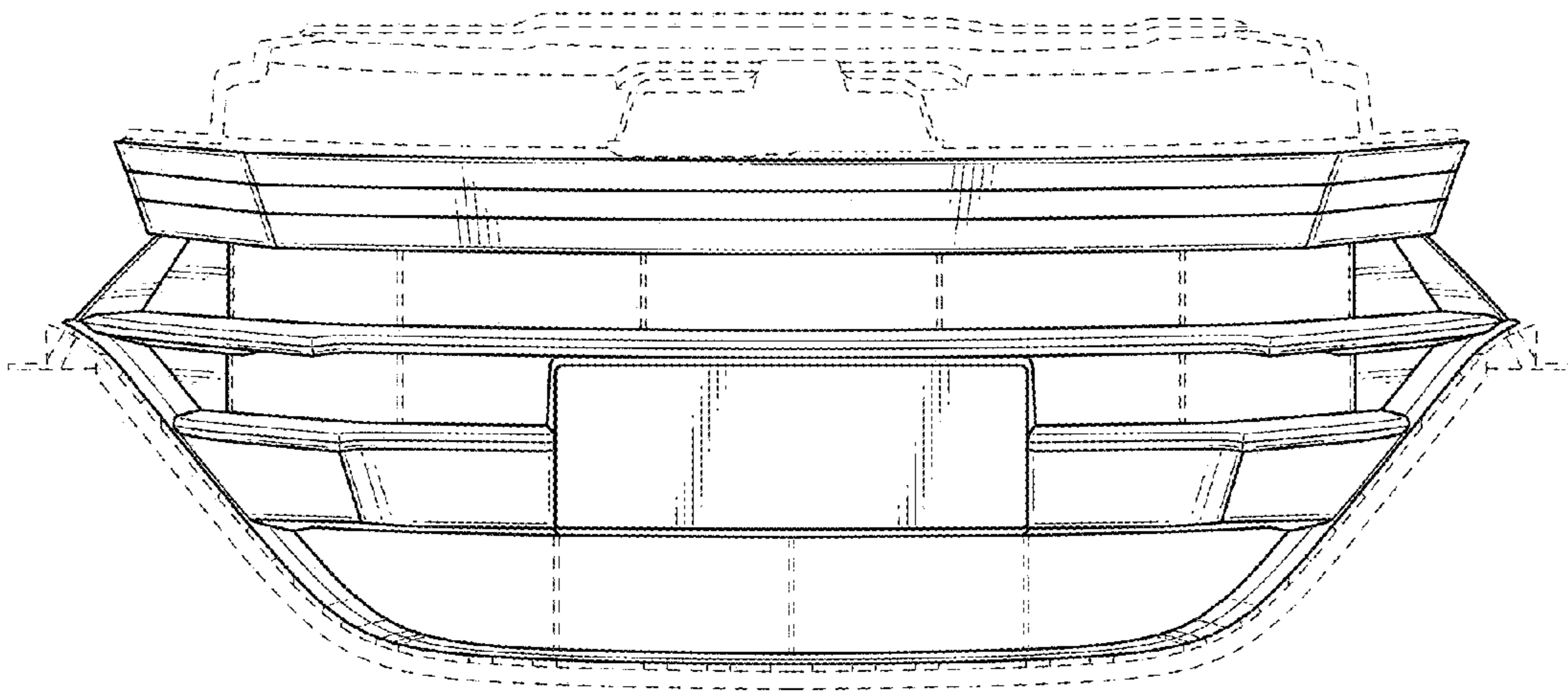


FIG. 3

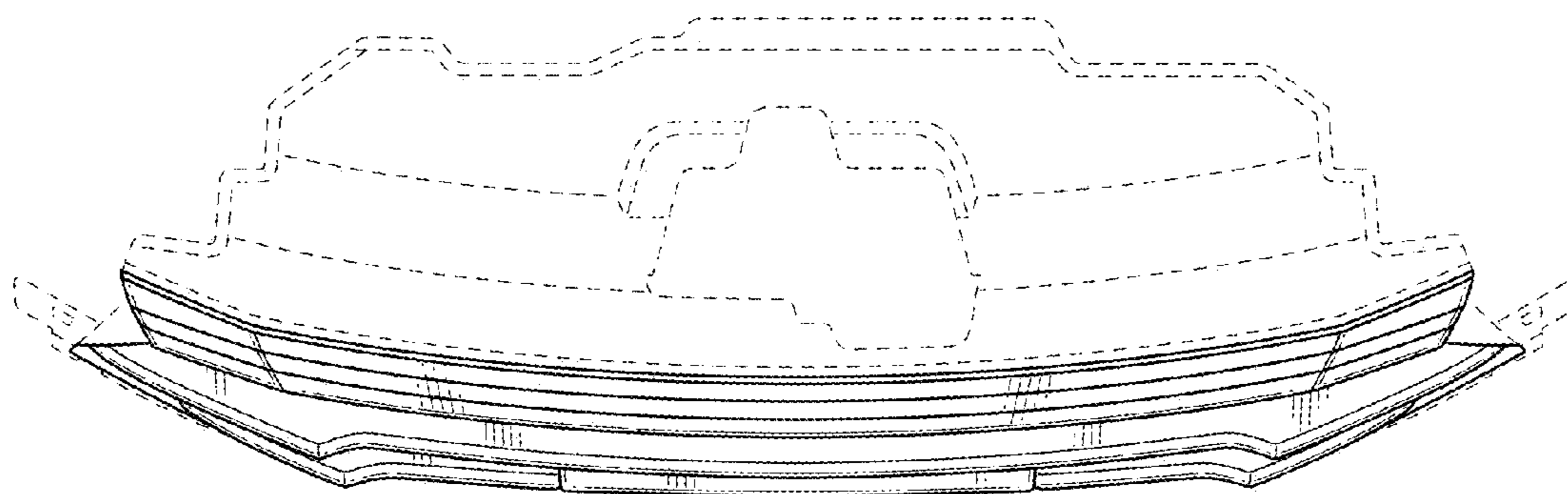


FIG. 4

