



US00D740721S

(12) **United States Design Patent**  
**Shaw et al.**

(10) **Patent No.:** **US D740,721 S**  
(45) **Date of Patent:** **\*\* Oct. 13, 2015**

(54) **WALKER**  
(71) Applicants: **Jimmy Wayne Shaw**, Rockdale, TX  
(US); **Jewel Marie Shaw**, Rockdale, TX  
(US)  
(72) Inventors: **Jimmy Wayne Shaw**, Rockdale, TX  
(US); **Jewel Marie Shaw**, Rockdale, TX  
(US)

5,476,432 A \* 12/1995 Dickens ..... 482/67  
D370,195 S \* 5/1996 Santos et al. .... D12/130  
D400,829 S \* 11/1998 Tomlinson ..... D12/130  
D472,187 S \* 3/2003 Tomlinson ..... D12/130  
D500,714 S \* 1/2005 Uribe et al. .... D12/130  
D507,212 S \* 7/2005 Tomlinson ..... D12/130  
D528,049 S \* 9/2006 Uribe et al. .... D12/130  
2014/0296039 A1\* 10/2014 Shaw et al. .... 482/68

\* cited by examiner

(\*\*) Term: **14 Years**  
(21) Appl. No.: **29/497,200**

*Primary Examiner* — Ian Simmons  
*Assistant Examiner* — Charles Hanson  
(74) *Attorney, Agent, or Firm* — Dale J. Ream

(22) Filed: **Jul. 22, 2014**  
(51) **LOC (10) Cl.** ..... **12-12**  
(52) **U.S. Cl.**  
USPC ..... **D12/130**  
(58) **Field of Classification Search**  
USPC ..... D12/130  
CPC ..... A61H 3/00; A61H 3/04; A61H  
2003/001–2003/007; A61H 2003/043; A61H  
2003/046  
See application file for complete search history.

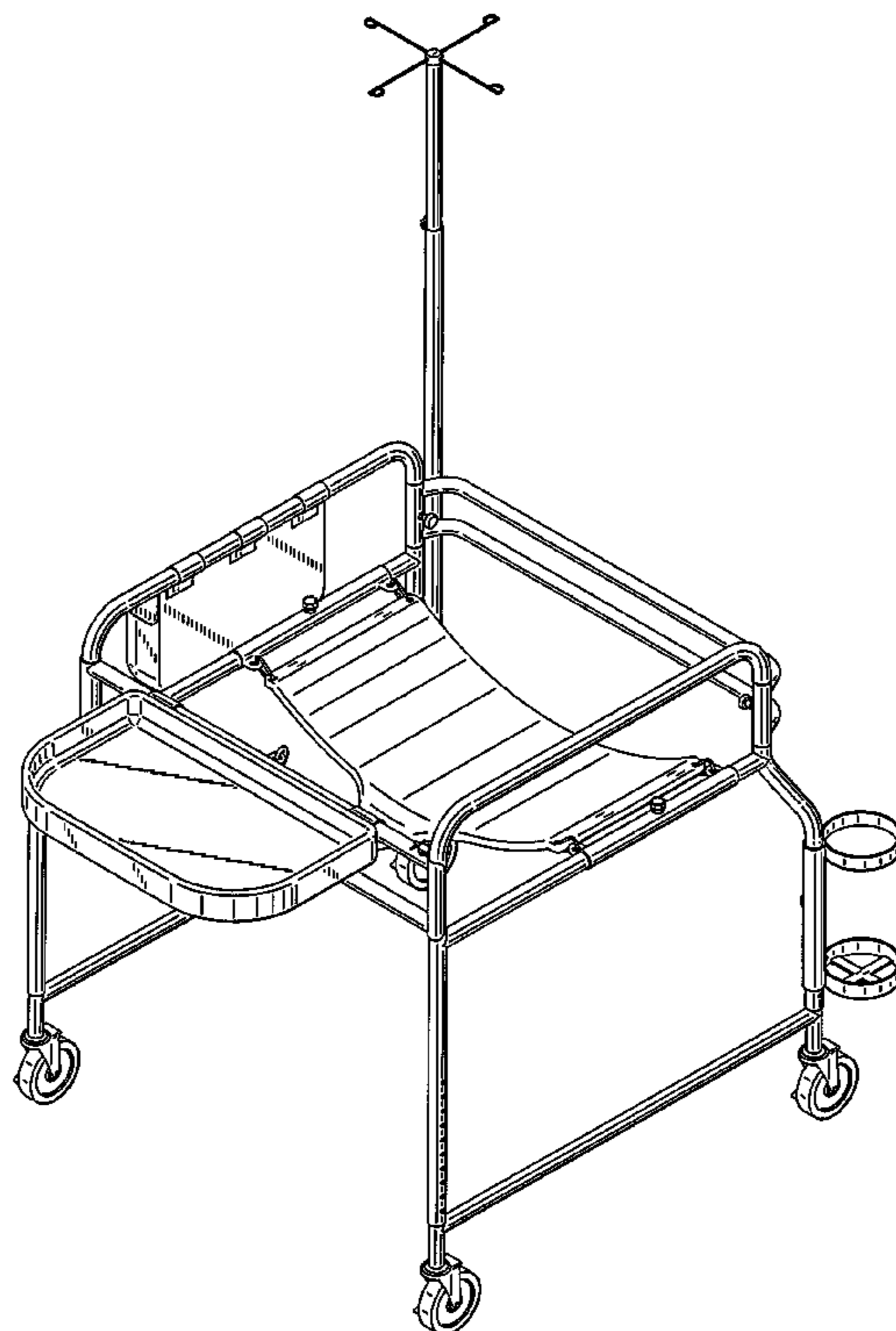
(57) **CLAIM**  
The ornamental design for a walker, as shown and described.

(56) **References Cited**  
U.S. PATENT DOCUMENTS  
4,748,994 A \* 6/1988 Schultz et al. .... 135/67  
5,133,377 A \* 7/1992 Truxillo ..... 135/67  
5,320,122 A \* 6/1994 Jacobson et al. .... 135/66

**DESCRIPTION**

FIG. 1 is a perspective view of a walker showing our new design;  
FIG. 2 is a front view thereof;  
FIG. 3 is a back view thereof;  
FIG. 4 is a left side view thereof;  
FIG. 5 is a right side view thereof;  
FIG. 6 is a top view thereof; and,  
FIG. 7 is a bottom view thereof.

**1 Claim, 7 Drawing Sheets**



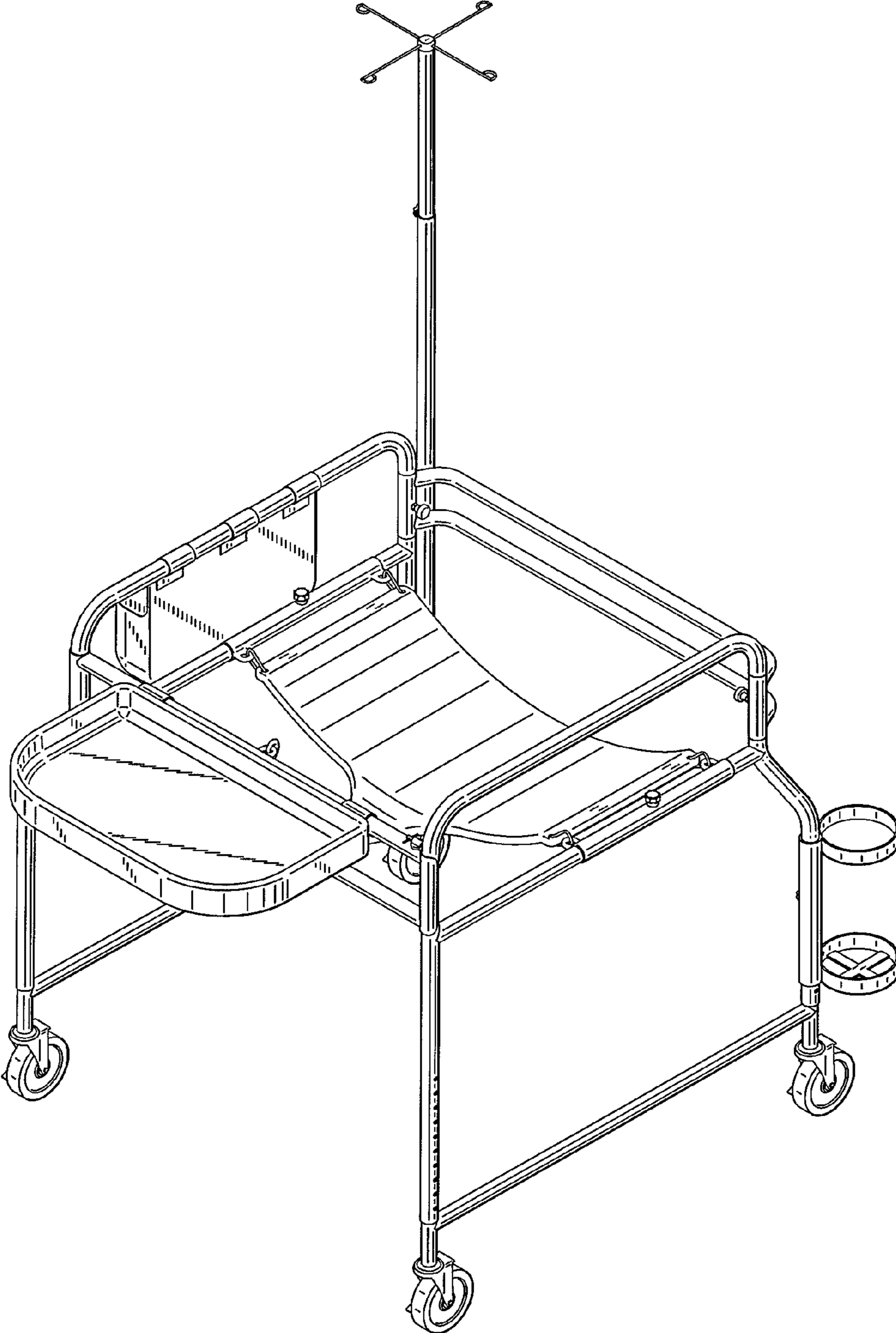


FIG. 1

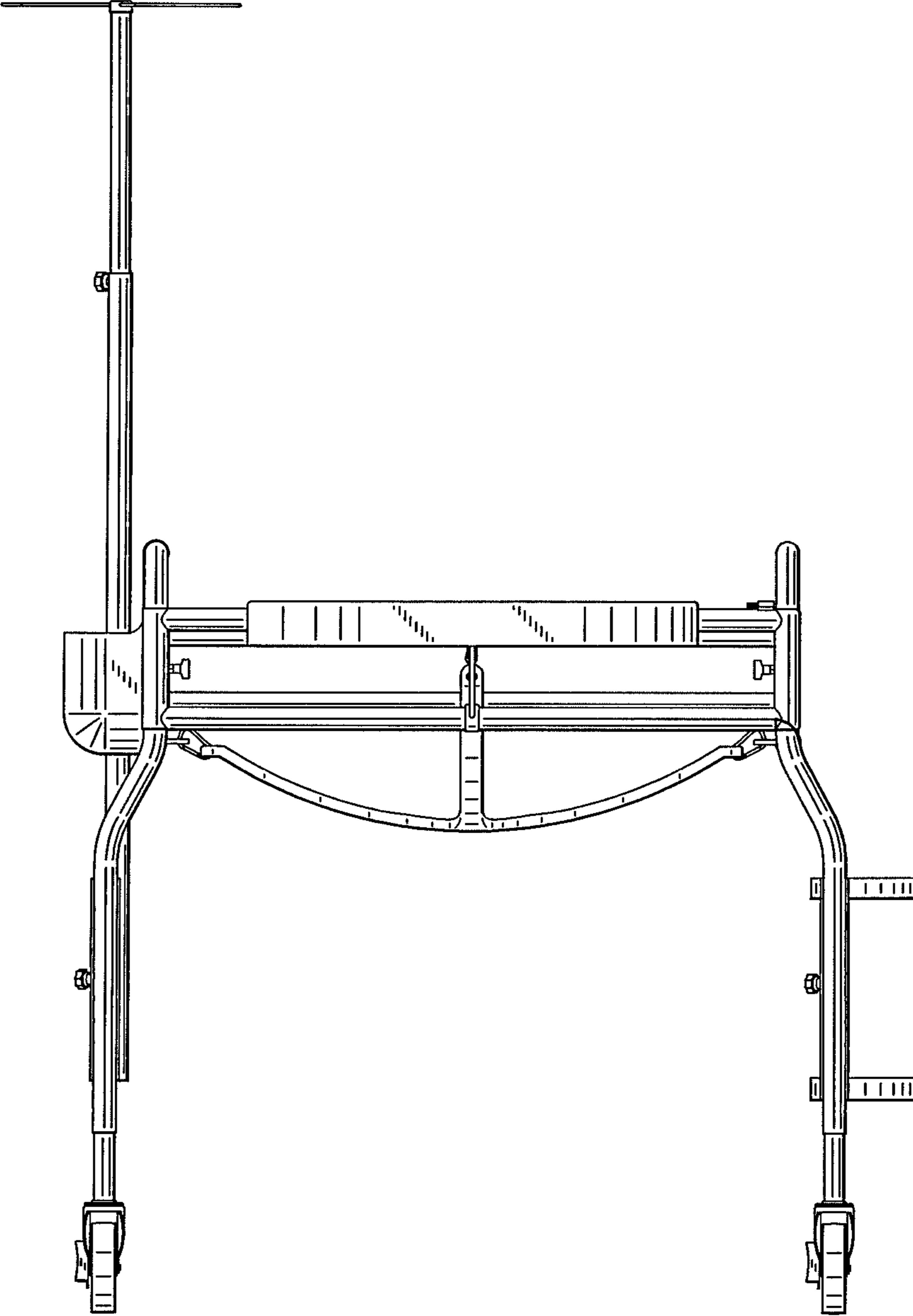


FIG. 2

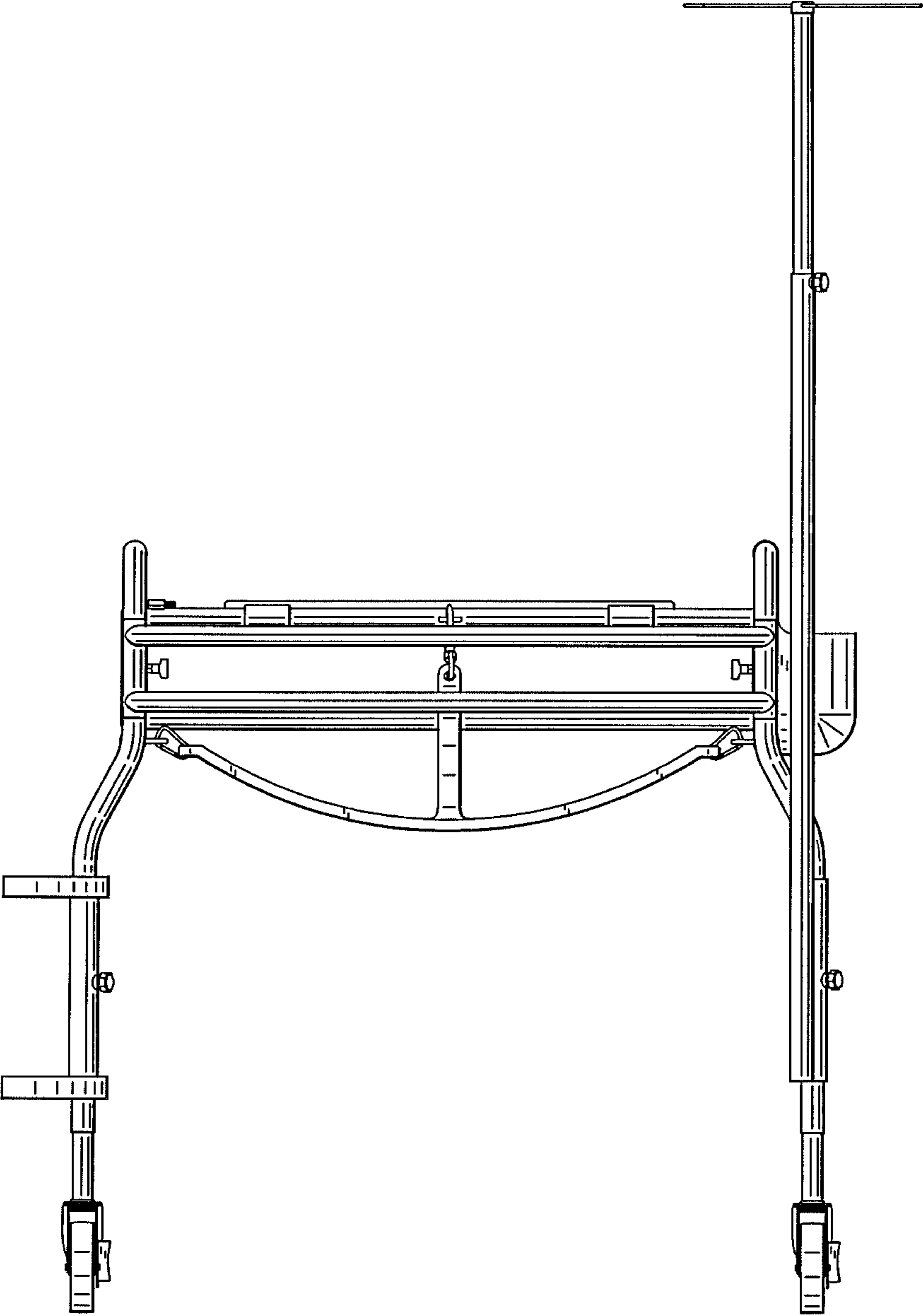


FIG. 3

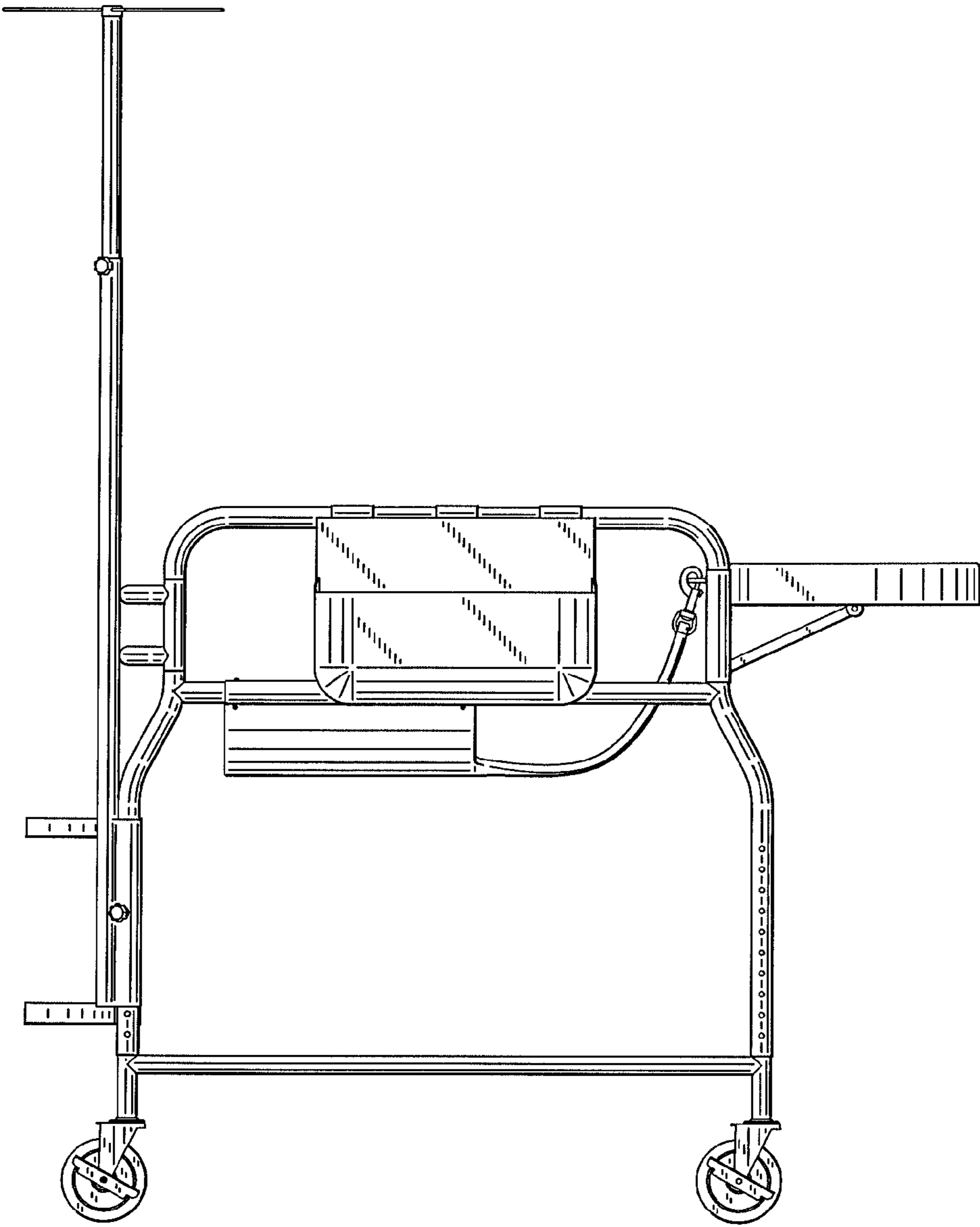


FIG. 4

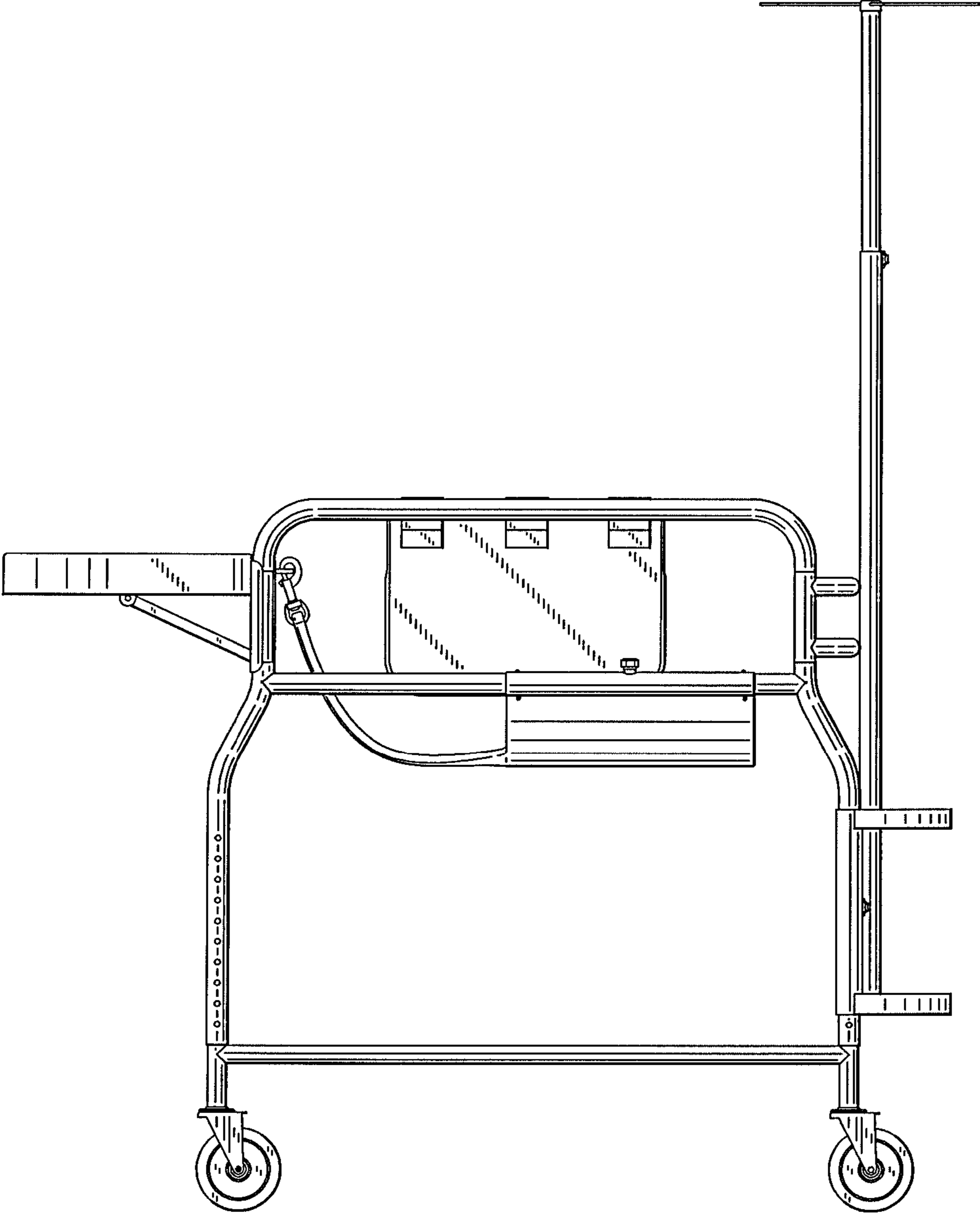


FIG. 5

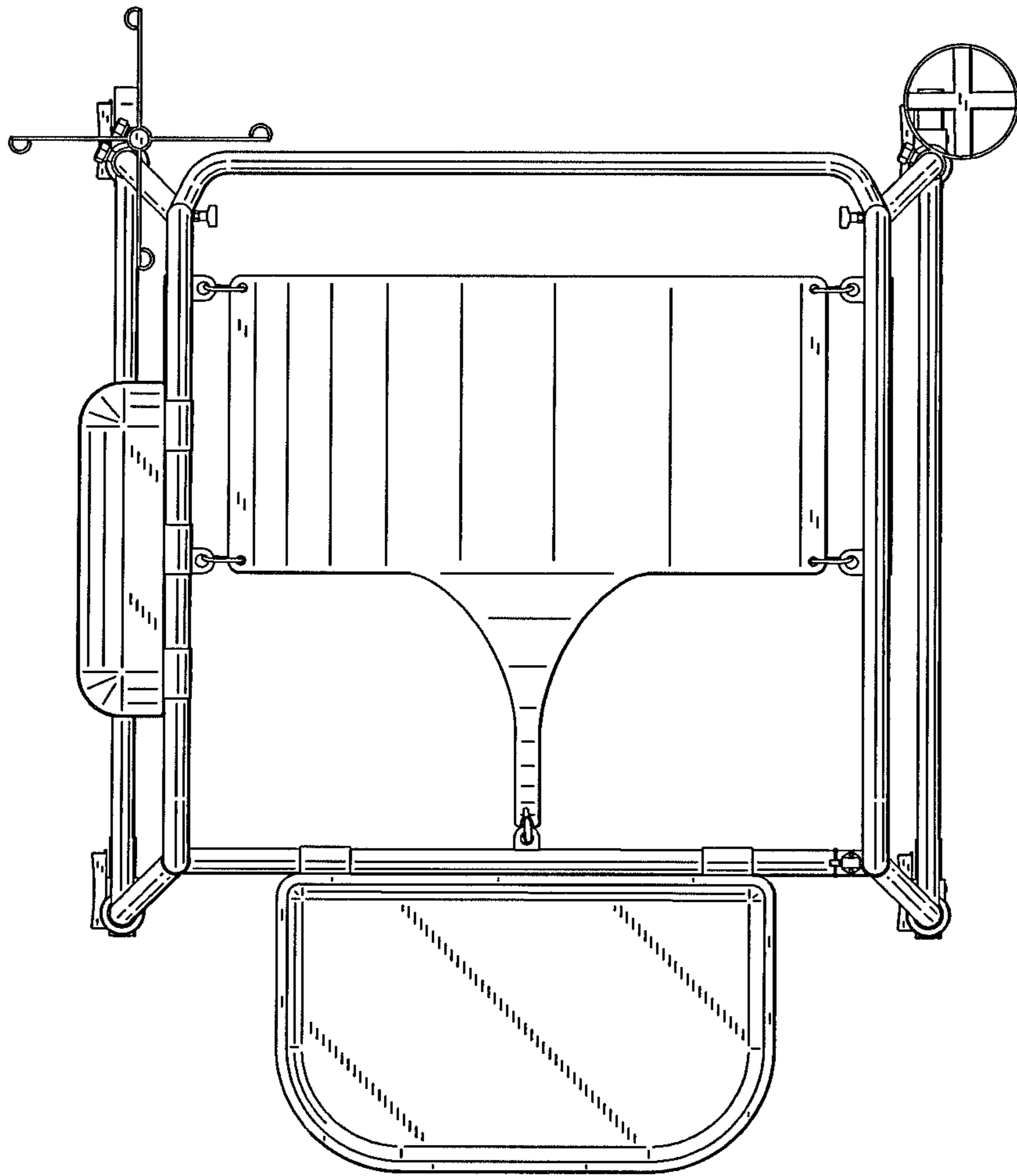


FIG. 6

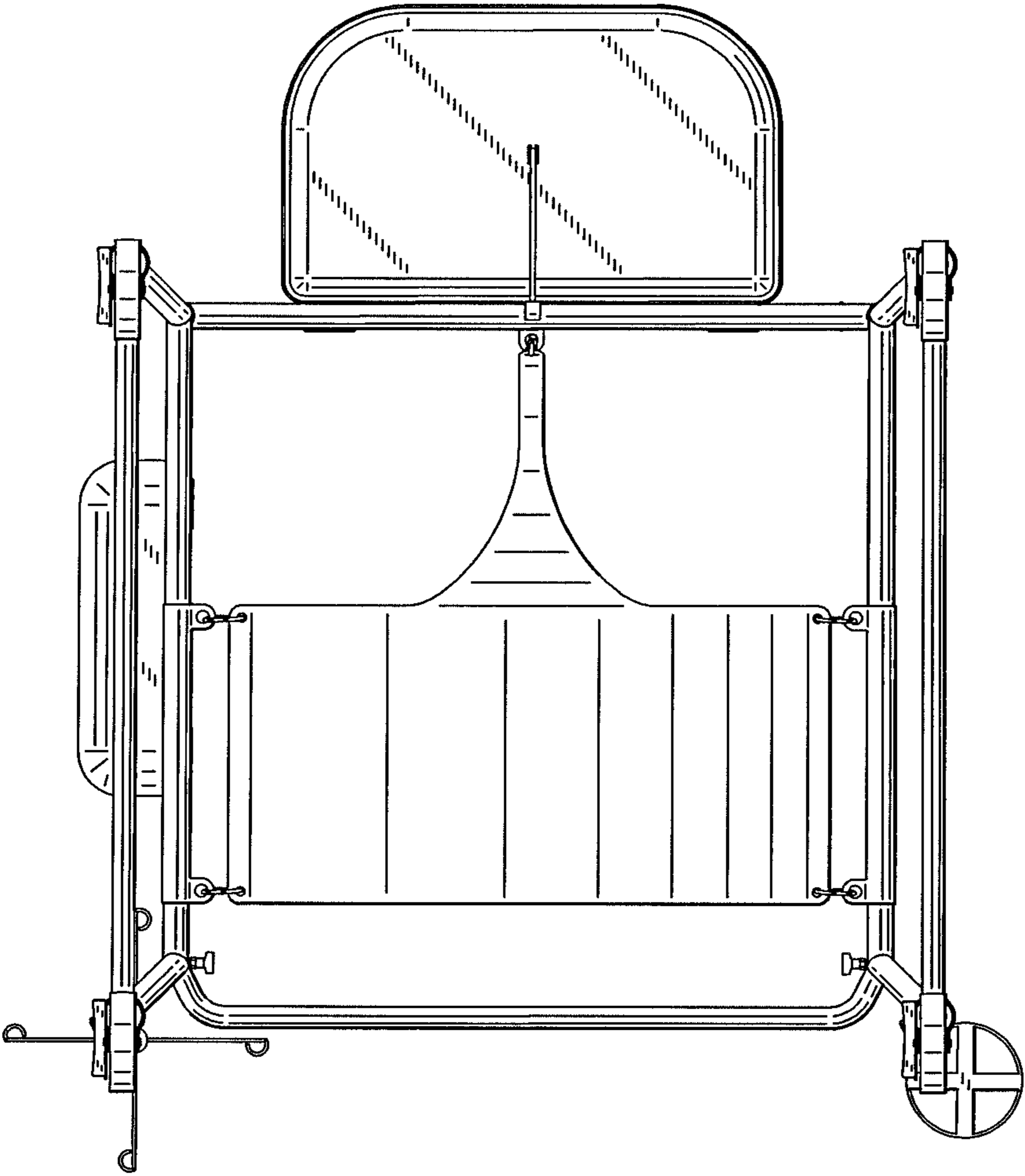


FIG. 7