

US00D740720S

(12) **United States Design Patent**
Kelly et al.

(10) **Patent No.:** **US D740,720 S**

(45) **Date of Patent:** **** Oct. 13, 2015**

(54) **MOTORCYCLE EXPRESS LUBE APPARATUS**

(71) Applicants: **James Kelly**, Chesterfield Township, MI (US); **Denise C. Kelly**, Chesterfield Township, MI (US)

(72) Inventors: **James Kelly**, Chesterfield Township, MI (US); **Denise C. Kelly**, Chesterfield Township, MI (US)

(**) Term: **14 Years**

(21) Appl. No.: **29/481,561**

(22) Filed: **Feb. 7, 2014**

(51) **LOC (10) Cl.** **12-11**

(52) **U.S. Cl.**
USPC **D12/115**

(58) **Field of Classification Search**
USPC D12/115; 280/402, 423.1, 400, 511, 280/124.157, 124.177, 6.151, 104, 425.1; 211/24; 414/800, 538, 812, 462, 500, 414/494, 542, 546, 483, 484, 480, 537, 414/481; 254/323, 88, 122, 126, 4 R, 3 R; 340/431; 410/7, 101; 224/519, 402, 224/526, 529, 530, 924, 42.23; 184/1.5; 4/321; 362/485; 296/182.1
CPC B60R 9/06; Y10S 414/134; B60P 3/125; B60P 3/122; A61G 3/062
See application file for complete search history.

(56) **References Cited**

U.S. PATENT DOCUMENTS

4,578,014	A *	3/1986	Colet	414/483
5,232,329	A *	8/1993	Livingston	414/494
5,308,213	A *	5/1994	Gilbertson	414/482
5,855,359	A *	1/1999	Chipperfield	254/88
6,149,369	A *	11/2000	Reed	414/480

6,349,952	B1 *	2/2002	Kallstrom	280/124.157
6,502,730	B2 *	1/2003	Johnson	224/519
6,537,014	B1 *	3/2003	Ridgdill	414/482
7,682,115	B1 *	3/2010	Jay et al.	410/101
8,191,916	B1 *	6/2012	Shive et al.	280/511
8,449,239	B1 *	5/2013	Birkenstock	414/462
2003/0086778	A1 *	5/2003	Smith	414/500
2004/0046160	A1 *	3/2004	Chamoun	254/88
2008/0303245	A1 *	12/2008	Schraeder	280/400
2010/0316475	A1 *	12/2010	Ryan	414/462
2011/0090072	A1 *	4/2011	Haldeman	340/431
2011/0123304	A1 *	5/2011	Thomas et al.	414/538
2011/0135438	A1 *	6/2011	Lundin	414/800
2012/0247873	A1 *	10/2012	Kelly et al.	184/1.5
2013/0270202	A1 *	10/2013	Glover	211/24
2013/0334790	A1 *	12/2013	Barnett	280/402

* cited by examiner

Primary Examiner — Robert M Spear

Assistant Examiner — Ryan Harvey

(74) *Attorney, Agent, or Firm* — Gifford, Krass, Sprinkle, Anderson & Citkowski, P.C.

(57) **CLAIM**

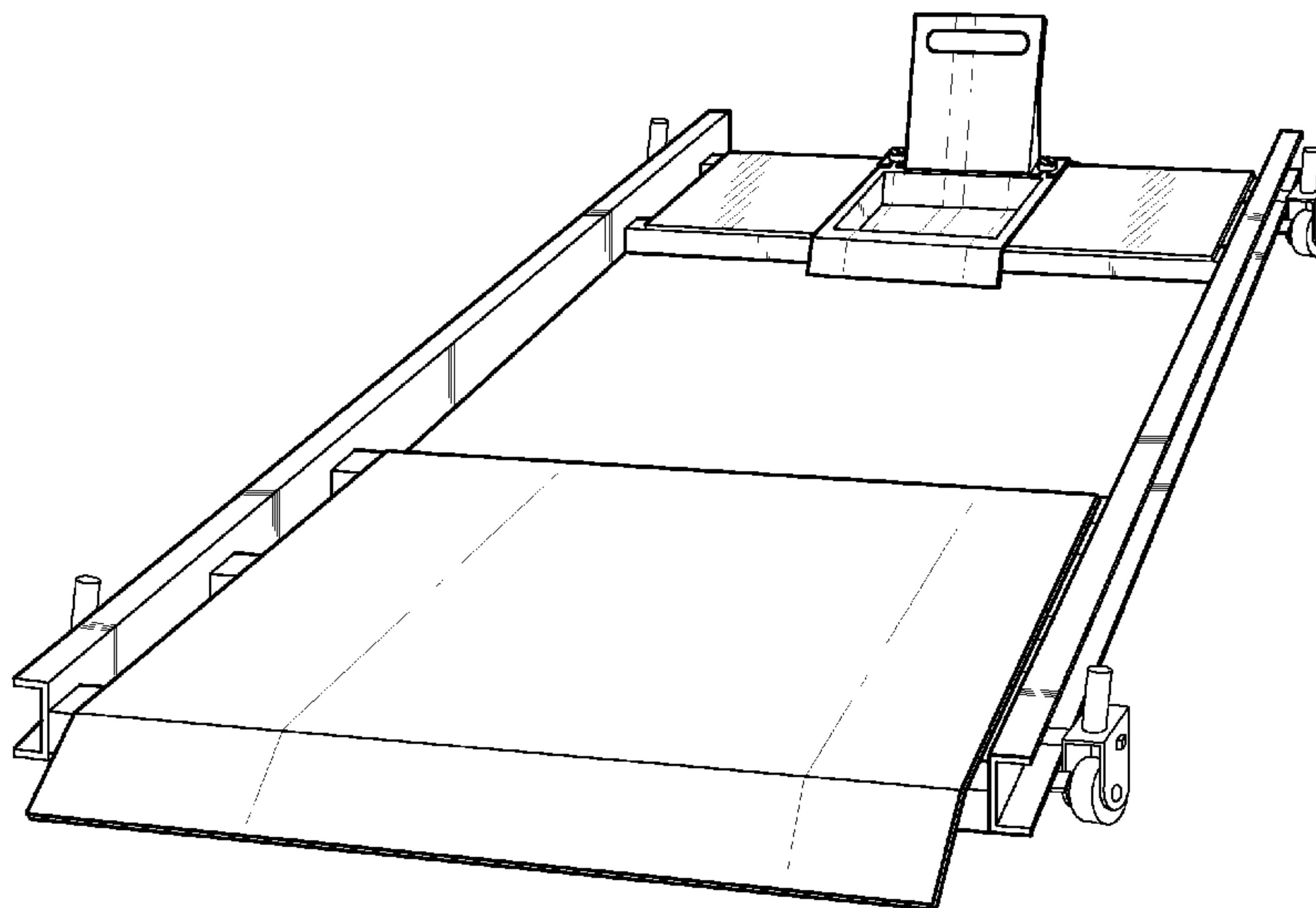
The ornamental design for a motorcycle express lube apparatus, as shown and described.

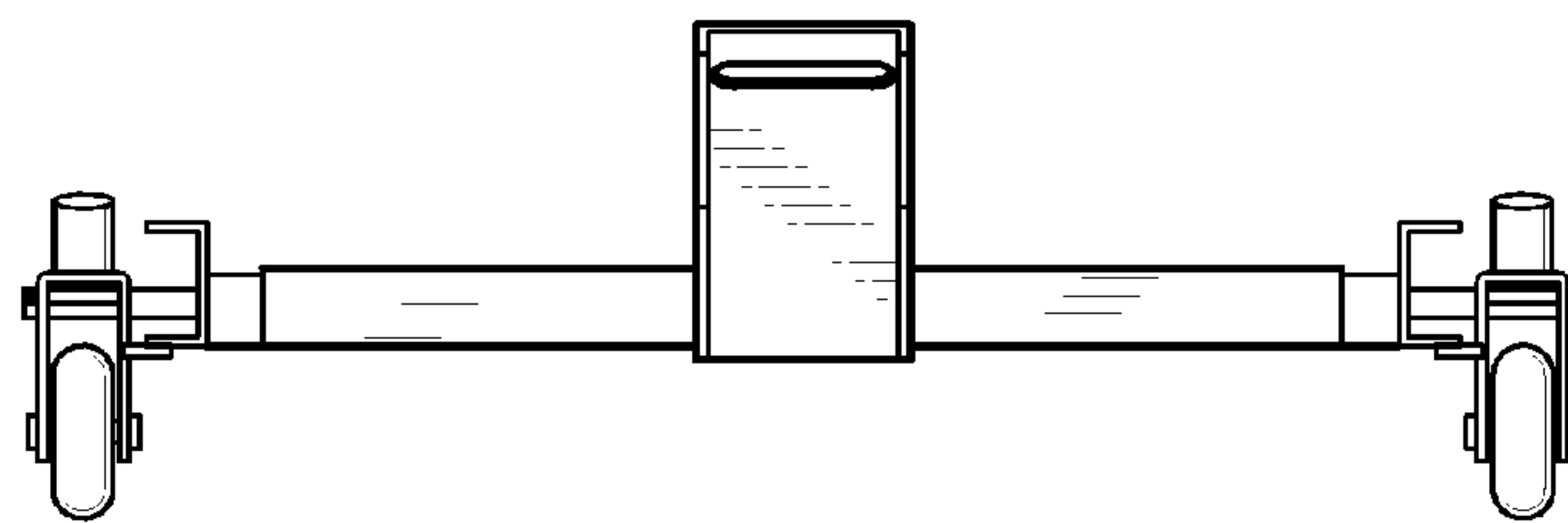
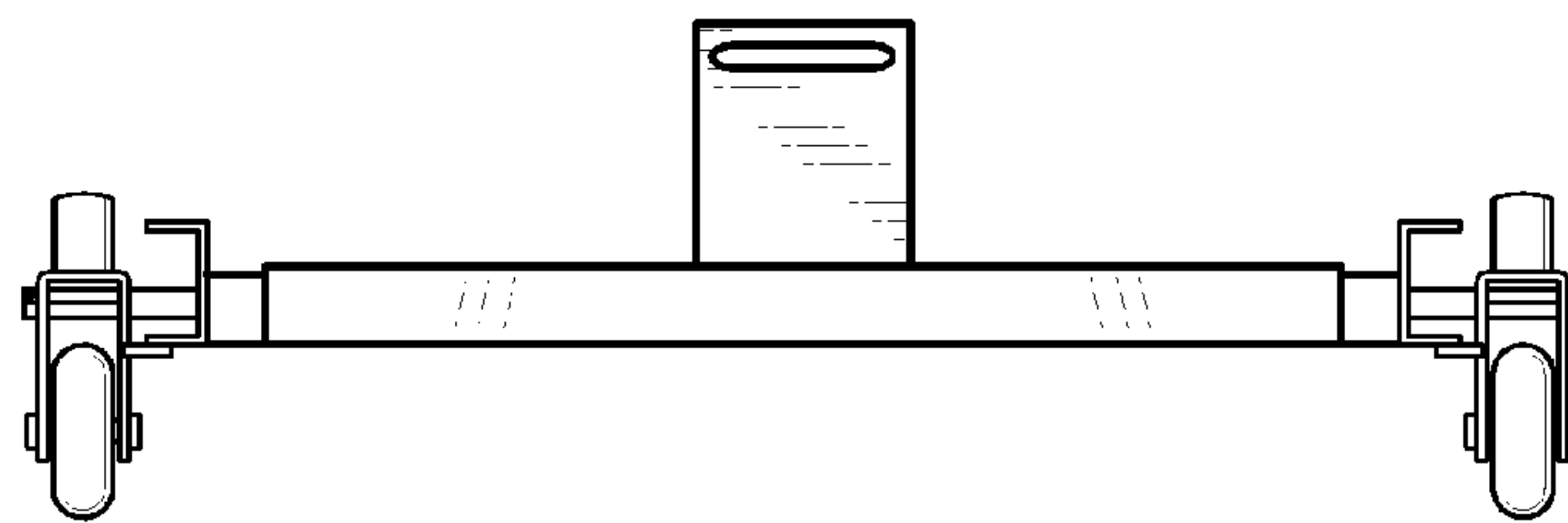
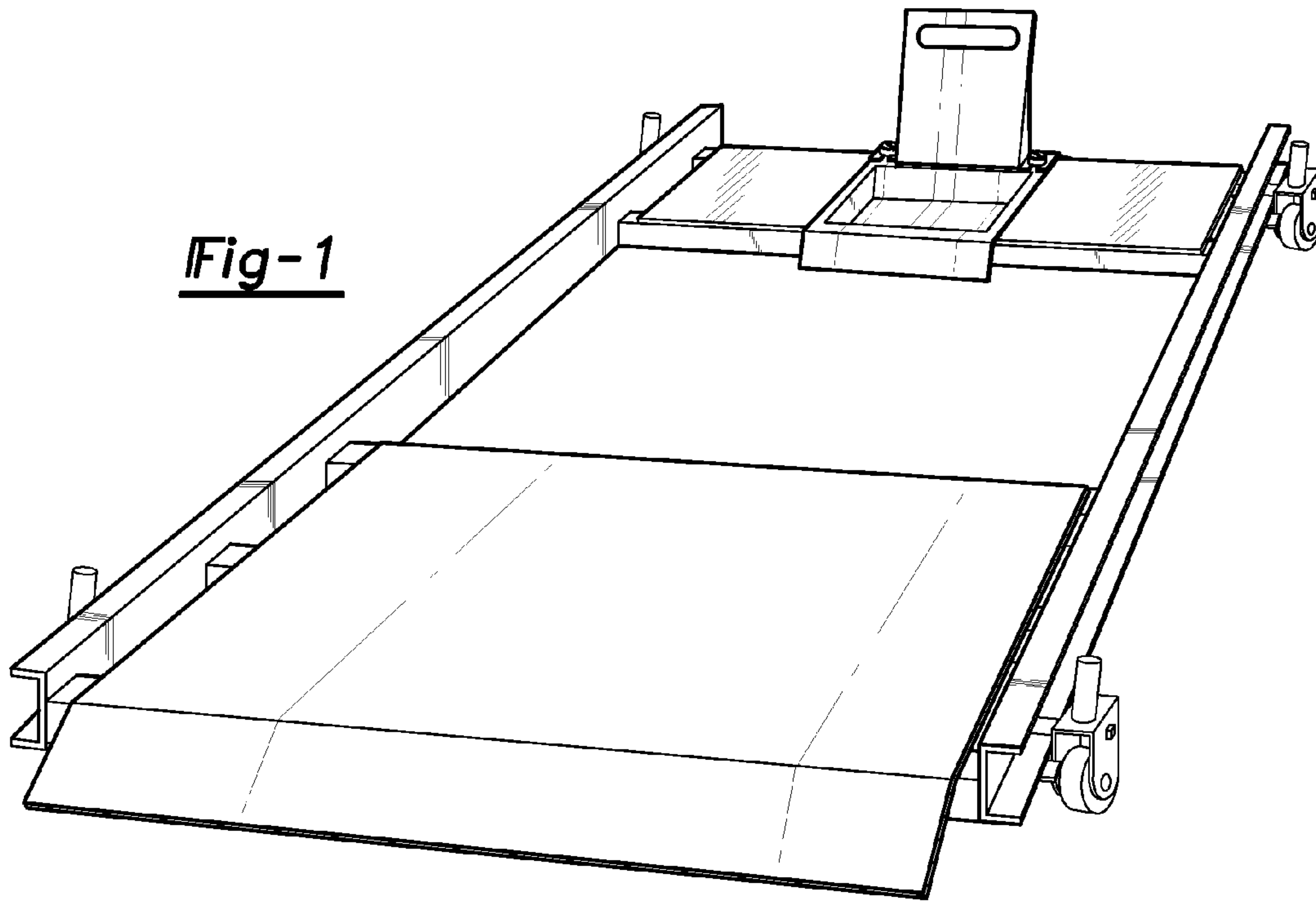
DESCRIPTION

FIG. 1 is a rear-top perspective view showing my new design; FIG. 2 is a rear view thereof; FIG. 3 is a front view thereof; FIG. 4 is a top view thereof in a motor vehicle hoist environment; FIG. 5 is a side view thereof; FIG. 6 is a bottom view thereof; and, FIG. 7 is a side view thereof with wheels in a lowered position.

In the drawings, the dash-dot-dot-dash lines depict a flat surface, which forms no part of the claim.

1 Claim, 3 Drawing Sheets





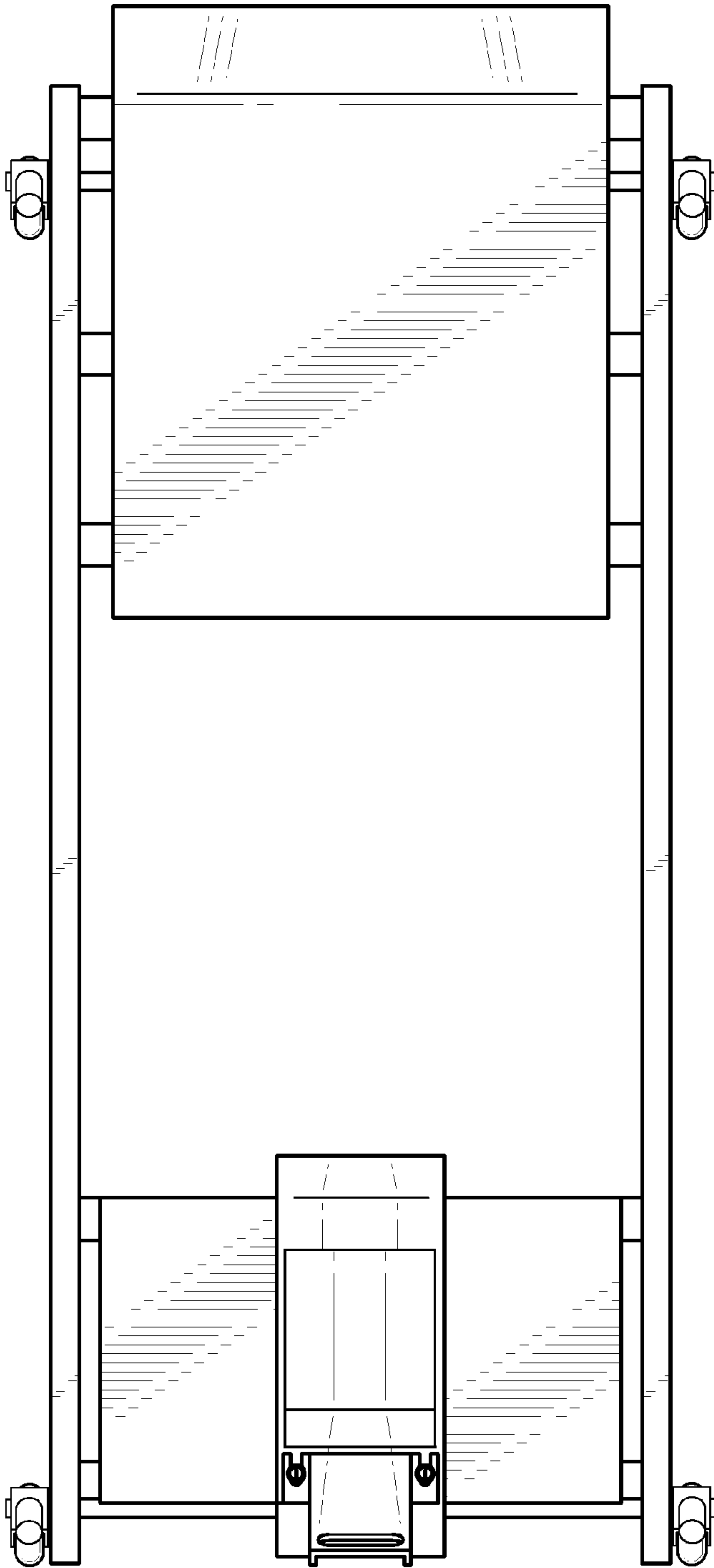


Fig-4

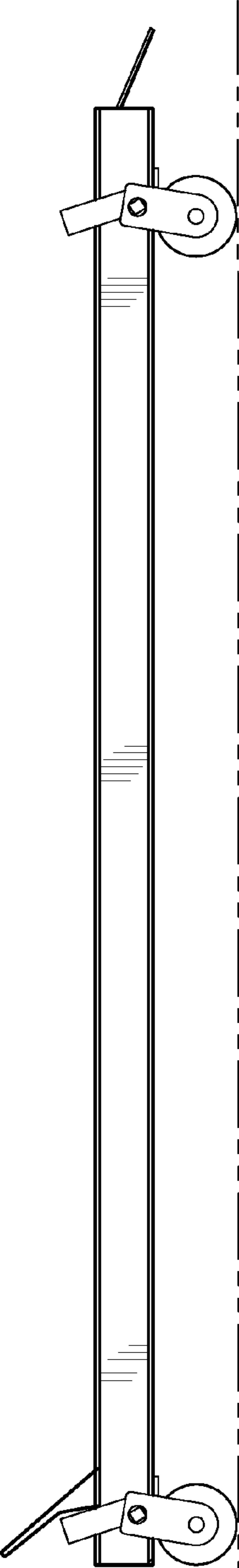


Fig-5

Fig-6

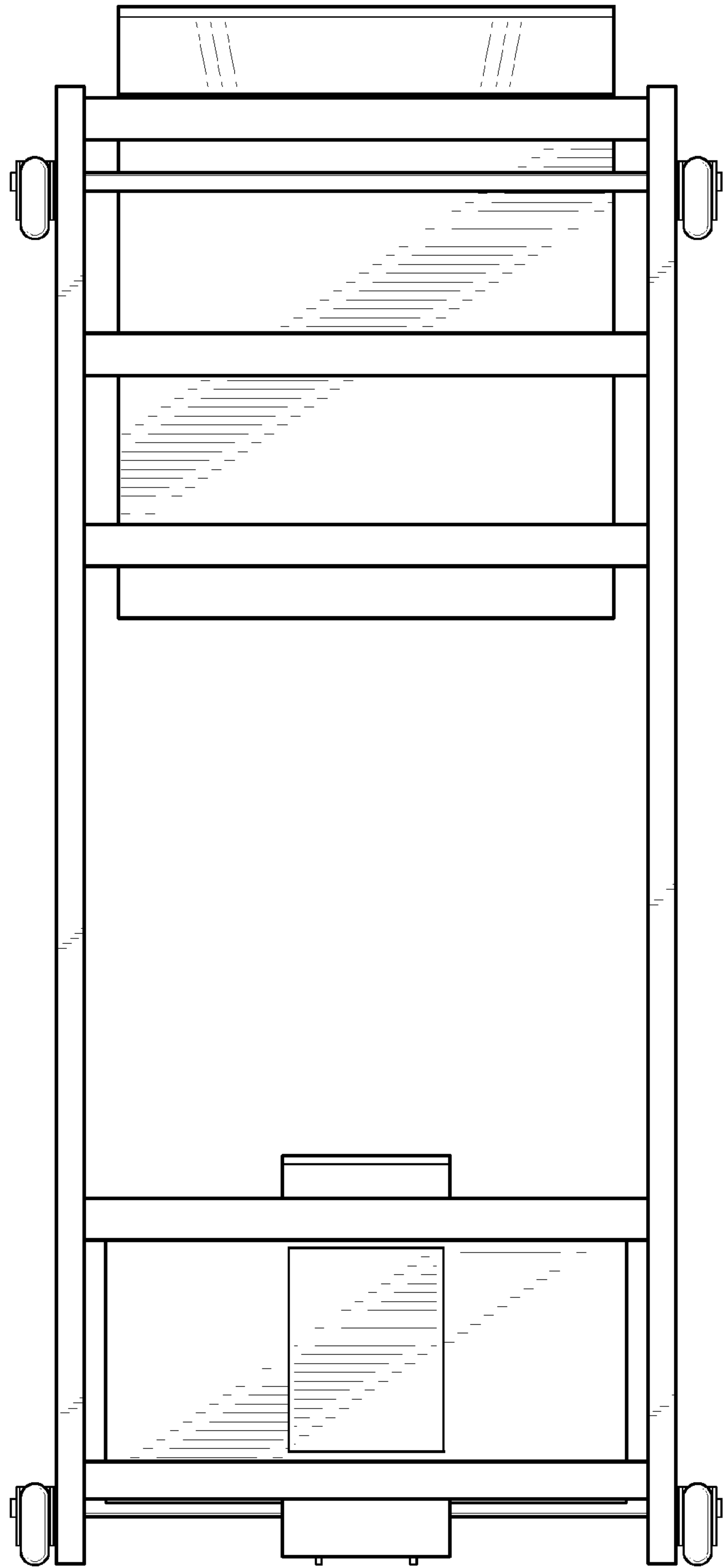


Fig-7

