



US00D740719S

(12) **United States Design Patent**  
**Schanz et al.**

(10) **Patent No.:** **US D740,719 S**  
(45) **Date of Patent:** **\*\* Oct. 13, 2015**

- (54) **MOTORCYCLE SKID PLATE**
- (71) Applicant: **Touratech AG**, Niedereschach (DE)
- (72) Inventors: **Jochen Schanz**, Niedereschach (DE);  
**Herbert Schwarz**, Niedereschach (DE)
- (73) Assignee: **TOURATECH AG**, Niedereschach (DE)
- (\*\*) Term: **14 Years**
- (21) Appl. No.: **29/458,640**
- (22) Filed: **Jun. 21, 2013**

D517,454	S	*	3/2006	Chambers	.....	D12/126
7,431,118	B1	*	10/2008	Hogg	.....	180/219
D609,611	S	*	2/2010	Johnson	.....	D12/126
D618,597	S	*	6/2010	Johnson	.....	D12/126
7,980,345	B1	*	7/2011	Harvey	.....	180/90.6
8,128,111	B2	*	3/2012	Scolari et al.	.....	280/221
D688,609	S	*	8/2013	Arbesman et al.	.....	D12/180
D688,610	S	*	8/2013	Arbesman et al.	.....	D12/180
D688,996	S	*	9/2013	Arbesman et al.	.....	D12/180
D688,997	S	*	9/2013	Arbesman et al.	.....	D12/180
D688,998	S	*	9/2013	Arbesman et al.	.....	D12/180
8,696,009	B1	*	4/2014	Heath, Sr.	.....	280/291
2009/0026729	A1	*	1/2009	James et al.	.....	280/291
2009/0272215	A1	*	11/2009	Plackis	.....	74/473.16
2010/0308557	A1	*	12/2010	Pruit	.....	280/304.3
2011/0241374	A1	*	10/2011	Graves	.....	296/75

\* cited by examiner

- (30) **Foreign Application Priority Data**
- Mar. 1, 2013 (EP) ..... 001362826 0001
- (51) **LOC (10) Cl.** ..... **12-11**
- (52) **U.S. Cl.**
- USPC ..... **D12/114**
- (58) **Field of Classification Search**
- USPC ..... 280/291, 272, 281.1; 74/564; D12/114,  
D12/180; 188/265, 18 A, 31, 72.7, 24.22,  
188/1.11 W, 251 A, 24.19, 250 B, 24.11,  
188/24.12, 73.1, 344, 238, 244, 2 D, 245,  
188/250 G, 1.11 L; 70/233; D8/303, 29, 59,  
D8/67, 68, 80, 82, 83, 86, 106, 300, 309,  
D8/308; 29/428; 60/591; 403/348, 361;  
340/454; D2/744, 747
- See application file for complete search history.

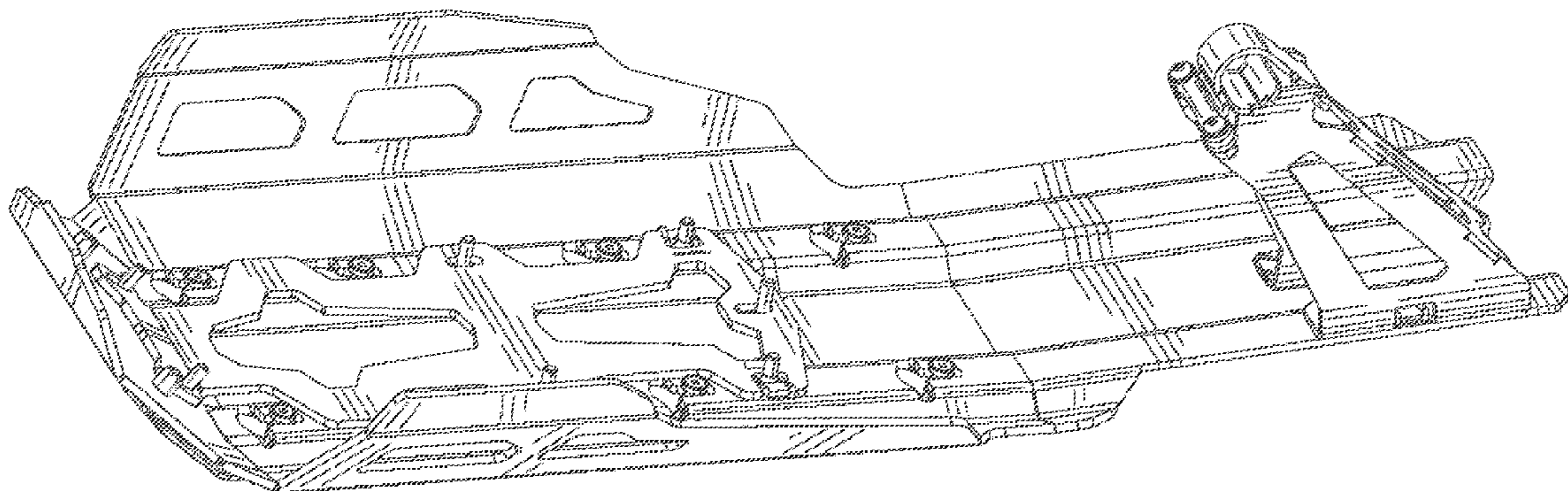
*Primary Examiner* — Robert M Spear  
*Assistant Examiner* — Ryan Harvey  
 (74) *Attorney, Agent, or Firm* — Tarolli, Sundheim, Covell & Tummino LLP

(57) **CLAIM**  
 We claim the ornamental design for a motorcycle skid plate, as shown and described.

**DESCRIPTION**

FIG. 1 is a perspective top view of a motorcycle skid plate; FIG. 2 is a perspective bottom view of the motorcycle skid plate of FIG. 1; FIG. 3 is a right side view of the motorcycle skid plate of FIG. 1; FIG. 4 is a right side view of the motorcycle skid plate of FIG. 1; FIG. 5 is a top plan view of the motorcycle skid plate of FIG. 1; FIG. 6 is a front view of the motorcycle skid plate of FIG. 1; and, FIG. 7 is a rear view of the motorcycle skid plate of FIG. 1.

**1 Claim, 6 Drawing Sheets**



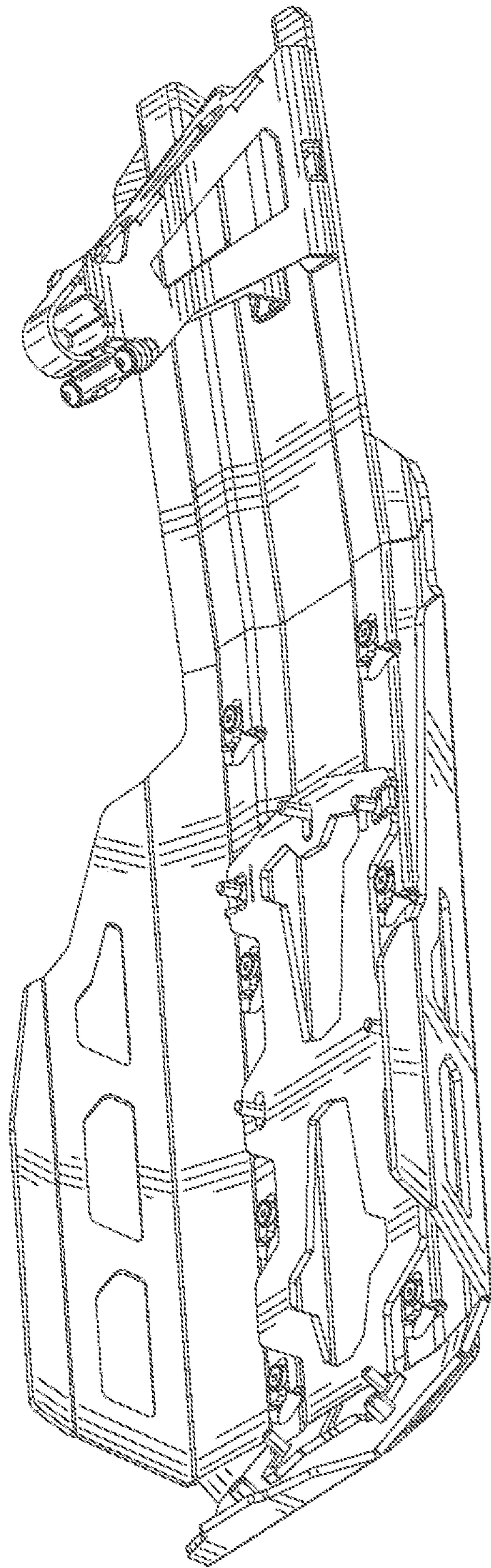


FIG. 1

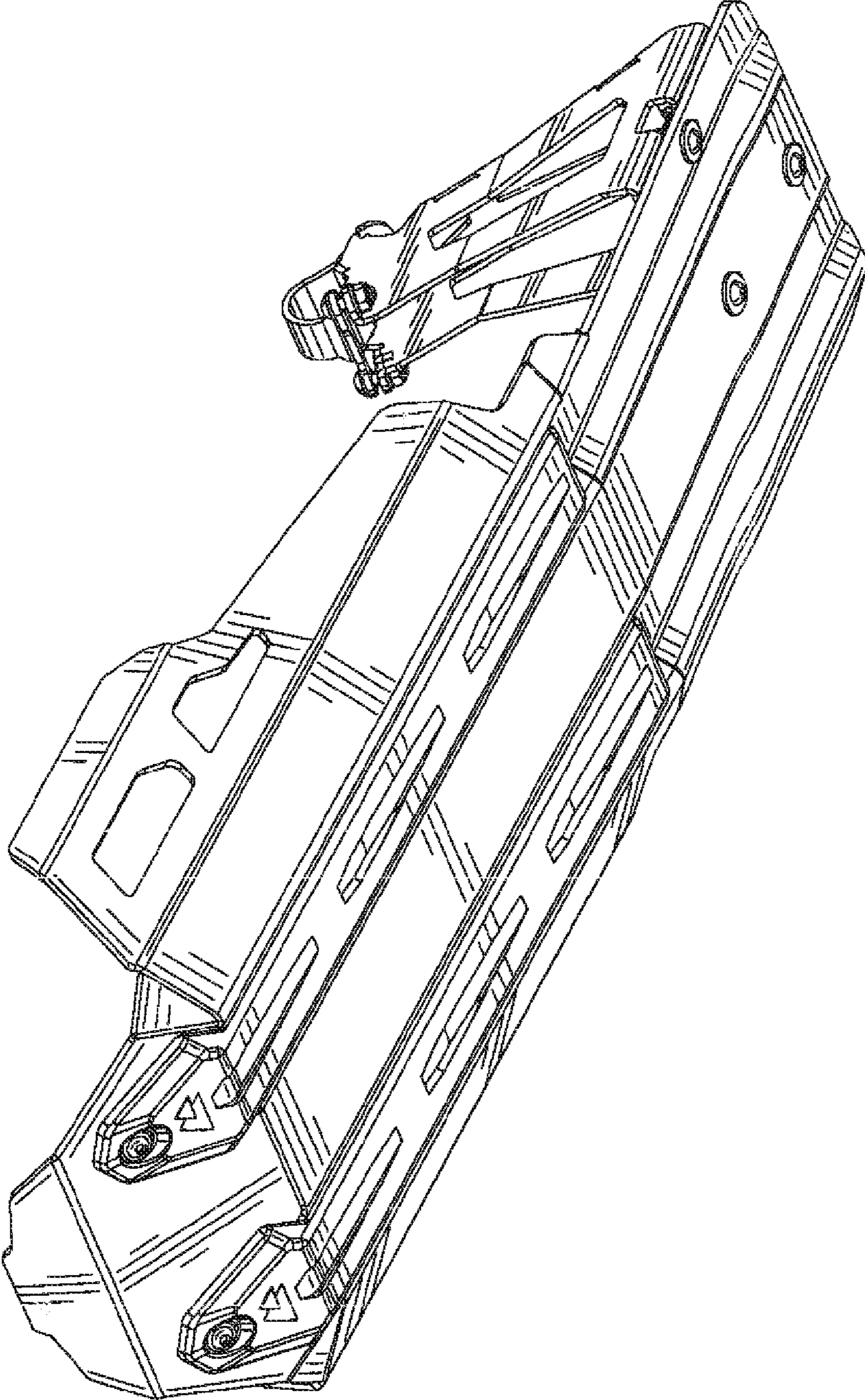


FIG. 2

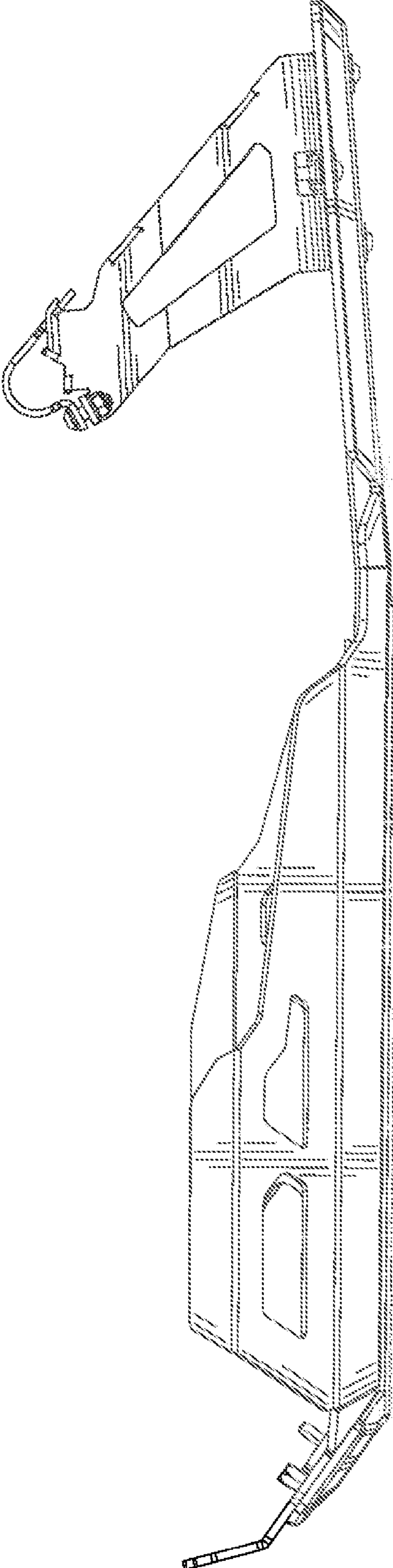


FIG. 3

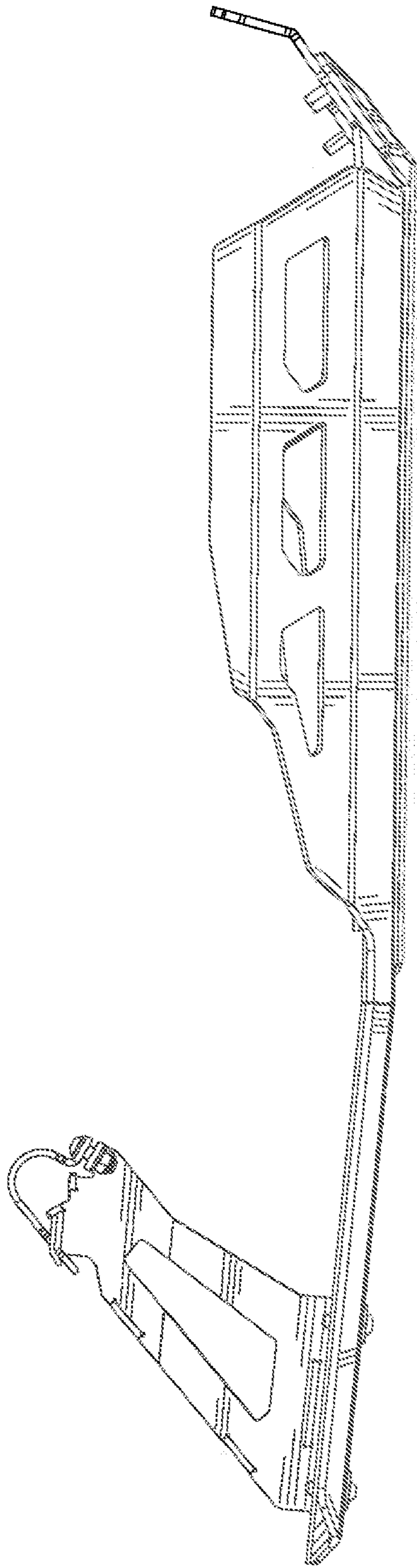


FIG. 4

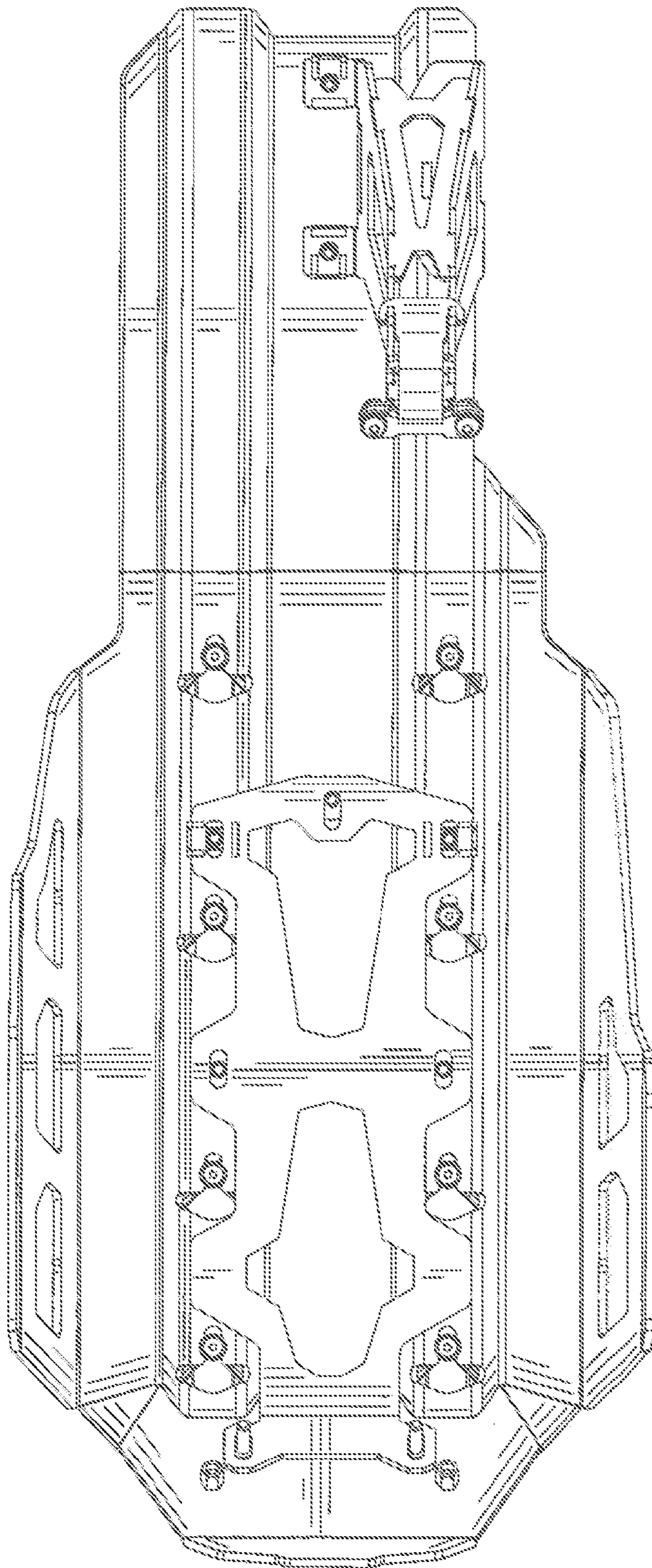


FIG. 5

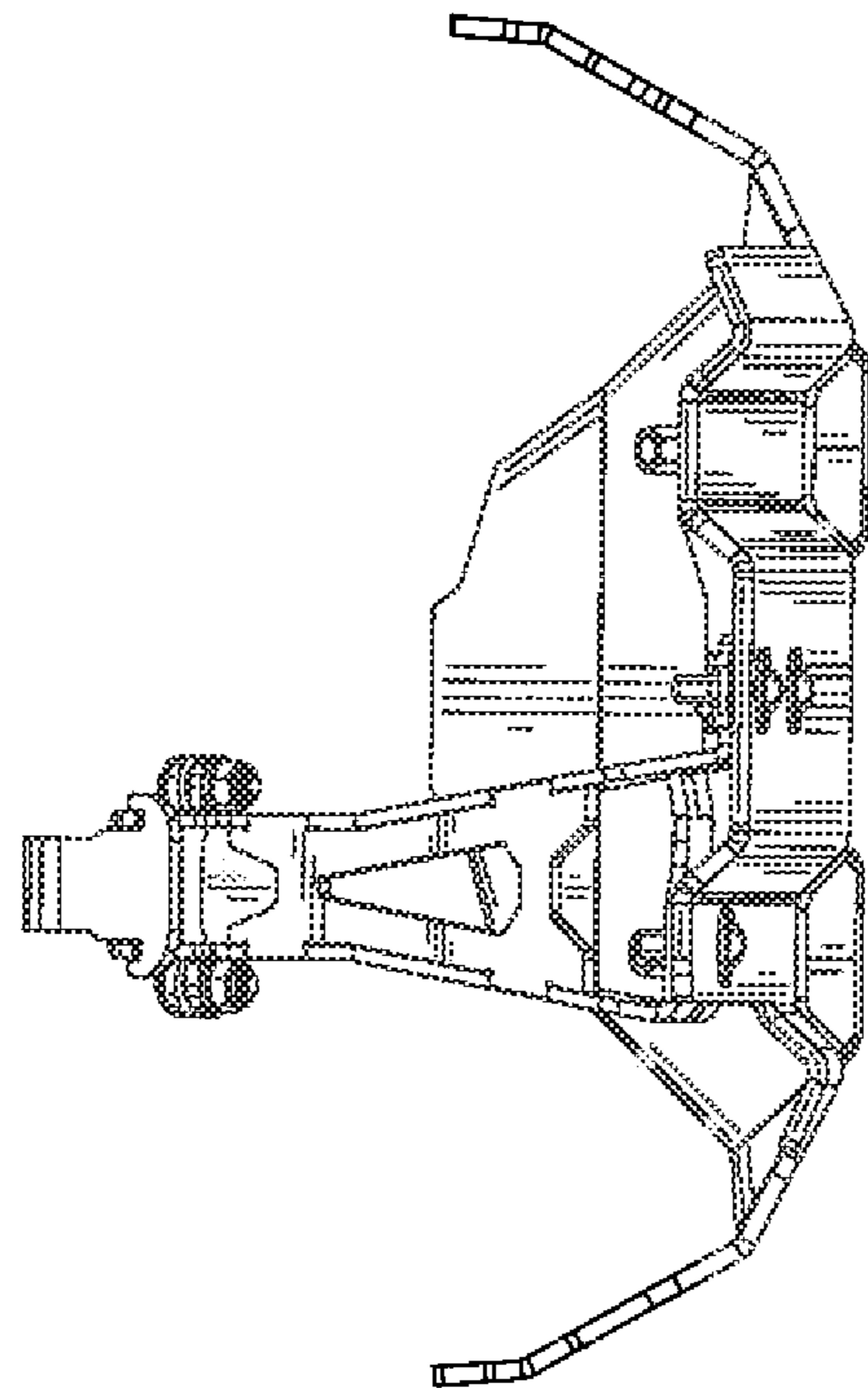


FIG. 6

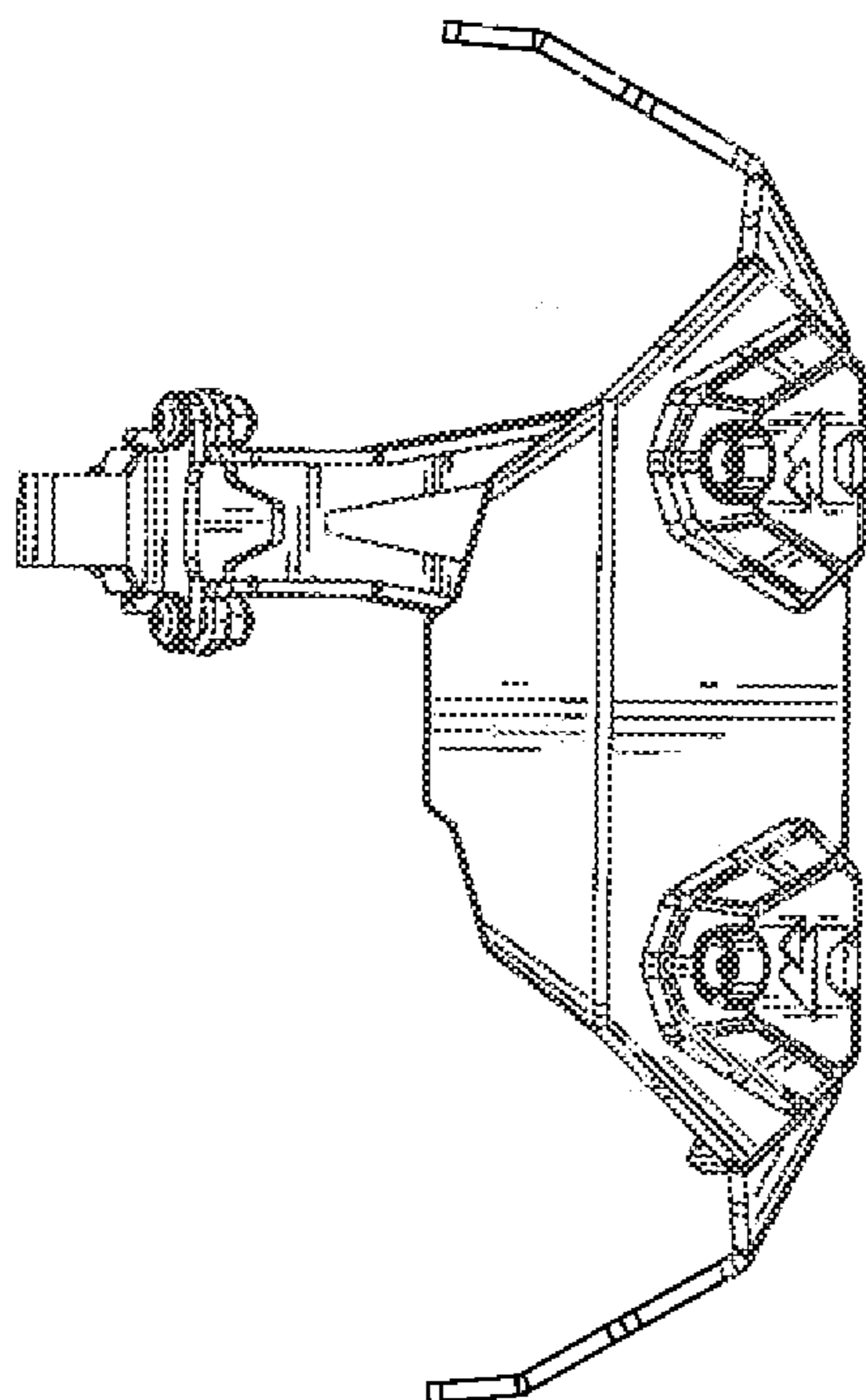


FIG. 7