



US00D740717S

(12) **United States Design Patent**  
**Blouin**

(10) **Patent No.:** **US D740,717 S**  
(45) **Date of Patent:** **\*\* Oct. 13, 2015**

- (54) **LEG FOR A RAISED GARDEN**
- (71) Applicant: **ATT Southern Inc.**, Camp Hill, PA (US)
- (72) Inventor: **Carl Blouin**, Levis (CA)
- (73) Assignee: **ATT SOUTHERN INC.**, Camp Hill, PA (US)
- (\*\*) Term: **15 Years**
- (21) Appl. No.: **29/527,374**
- (22) Filed: **May 19, 2015**

**Related U.S. Application Data**

- (63) Continuation of application No. 29/458,985, filed on Jun. 25, 2013, now Pat. No. Des. 733,000.
- (51) **LOC (10) Cl.** ..... **11-02**
- (52) **U.S. Cl.**  
USPC ..... **D11/164**
- (58) **Field of Classification Search**  
USPC ..... D11/143, 152, 155, 164, 184; D6/349, D6/709, 711; D26/55  
CPC ..... A01G 5/04; A01G 9/02; A01G 9/021; A01G 9/022; A01G 9/023; A01G 9/04; A01G 9/042; A01G 9/045; A01G 9/1423; A61G 19/00; A47G 7/041  
See application file for complete search history.

(56) **References Cited**

**U.S. PATENT DOCUMENTS**

- 470,559 A \* 3/1892 Flack ..... 211/67
- 784,756 A \* 3/1905 Pult ..... 47/18
- 1,296,684 A \* 3/1919 Mead ..... 47/18

- D213,496 S \* 3/1969 Wormser ..... D6/349
- D217,145 S \* 4/1970 Solie ..... D6/349
- D452,783 S \* 1/2002 Hecht et al. .... D6/709
- D464,219 S 10/2002 Hecht et al.
- D510,485 S \* 10/2005 Selby ..... D6/330
- D548,924 S 8/2007 Frankenberg
- D558,473 S \* 1/2008 Mendenhall ..... D6/349
- D566,419 S \* 4/2008 Naim ..... D6/684
- D602,283 S 10/2009 Glenn
- D606,773 S 12/2009 Copp et al.
- D638,744 S 5/2011 Phillips et al.

(Continued)

*Primary Examiner* — Eric Goodman

*Assistant Examiner* — Amy Wierenga

(74) *Attorney, Agent, or Firm* — Eckert Seamans Cherin & Mellott, LLC; David C. Jenkins

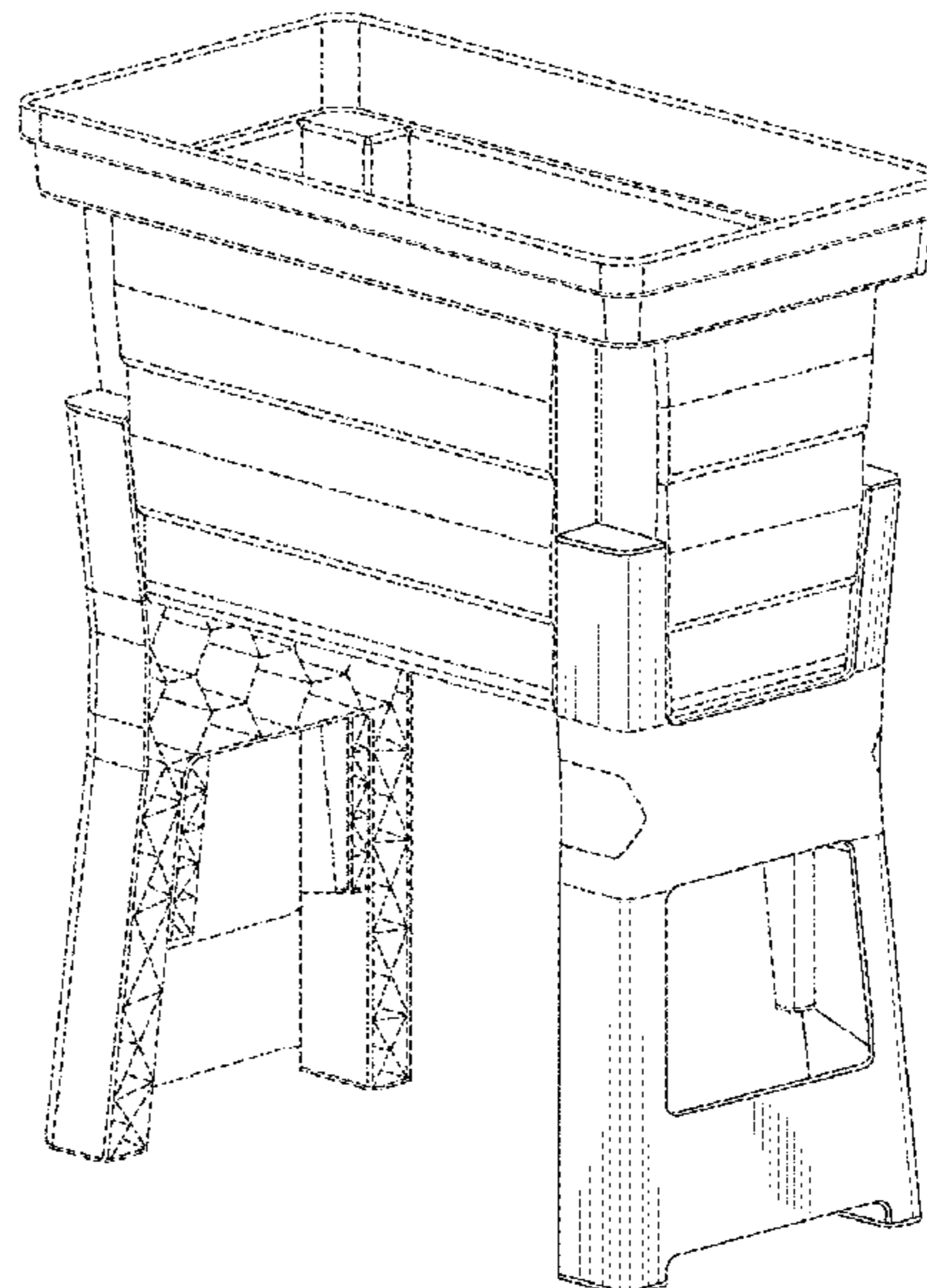
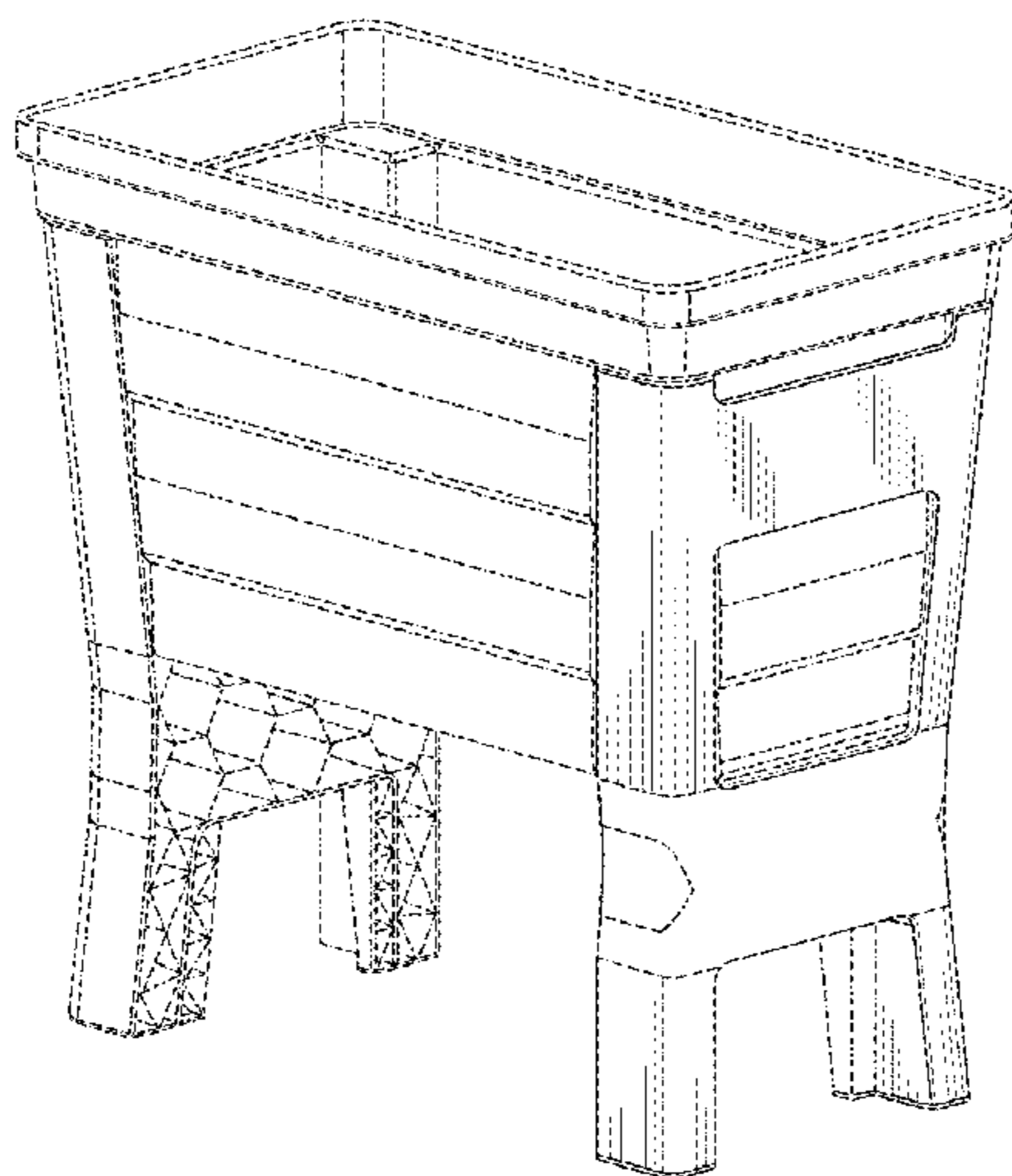
(57) **CLAIM**

The ornamental design for a leg for a raised garden, as shown and described.

**DESCRIPTION**

FIG. 1 is an isometric view of the leg for a raised garden; FIG. 2 is an isometric view of the leg for a raised garden in another orientation; FIG. 3 is a front isometric view of the leg for a raised garden; FIG. 4 is a back isometric view of the leg for a raised garden; FIG. 5 is a front view of the leg for a raised garden; FIG. 6 is a back view of the leg for a raised garden; FIG. 7 is a right side view of the leg for a raised garden; FIG. 8 is a left side view of the leg for a raised garden; FIG. 9 is a top view of the leg for a raised garden; and, FIG. 10 is a bottom view of the leg for a raised garden. The broken lines in the drawings depict environmental subject matter only and form no part of the claimed design.

**1 Claim, 7 Drawing Sheets**



(56)

**References Cited**

U.S. PATENT DOCUMENTS

D643,647 S	8/2011	Owen et al.		D701,734 S	4/2014	Wagner et al.	
D653,162 S	1/2012	Moore et al.		D705,564 S	5/2014	Probst et al.	
D655,220 S	3/2012	Rossi		D706,548 S	6/2014	Laudon et al.	
D655,221 S	3/2012	Adams		D711,282 S	8/2014	Connell	
D658,538 S	5/2012	Korzeniowski		D715,682 S	10/2014	Taylor et al.	
D676,355 S	2/2013	Williamsen		D723,849 S *	3/2015	Mueller et al. ....	D6/709
D679,106 S *	4/2013	Adams et al. ....	D6/360	D726,070 S *	4/2015	Fransson et al. ....	D11/143
D688,892 S	9/2013	Bowling		D726,465 S *	4/2015	Lin .....	D6/709
D692,795 S	11/2013	Connell		D728,251 S *	5/2015	Domingo .....	D6/353
D699,044 S	2/2014	Bowling		D734,207 S *	7/2015	Blouin .....	D11/155
				2006/0070298 A1	4/2006	Palsrok	
				2011/0247268 A1	10/2011	Adams	
				2014/0259913 A1	9/2014	Adams	

\* cited by examiner

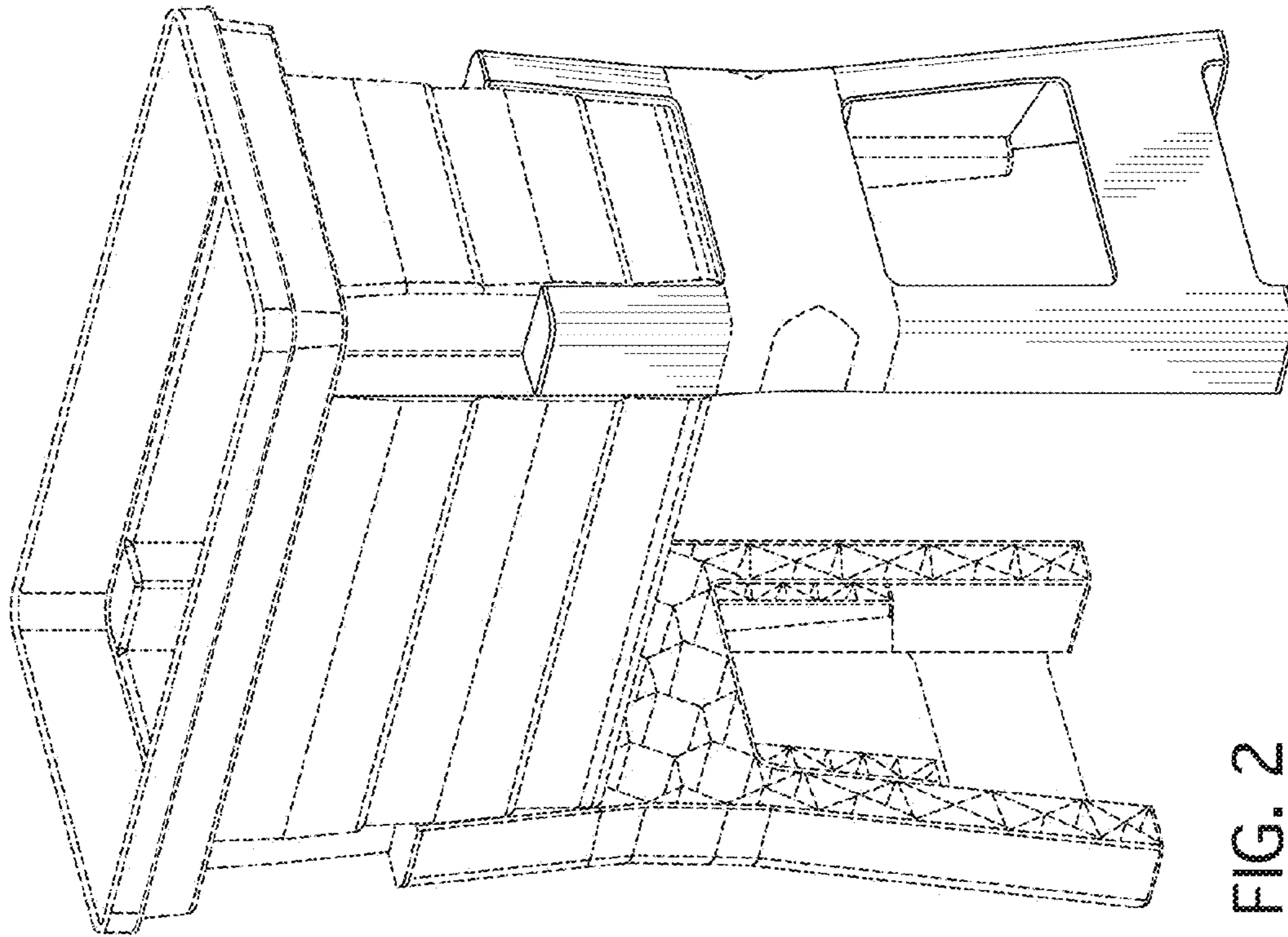


FIG. 2

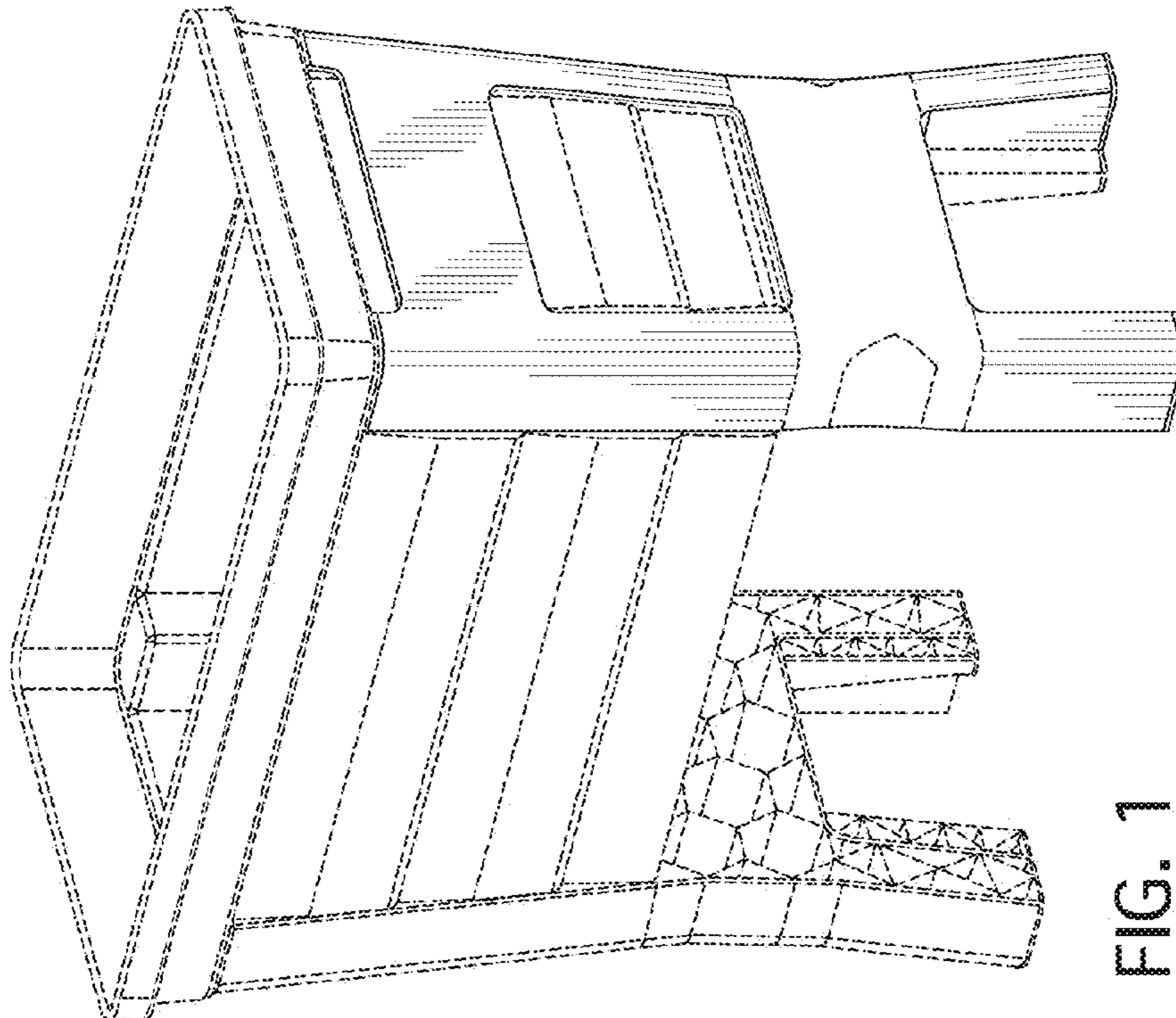


FIG. 1

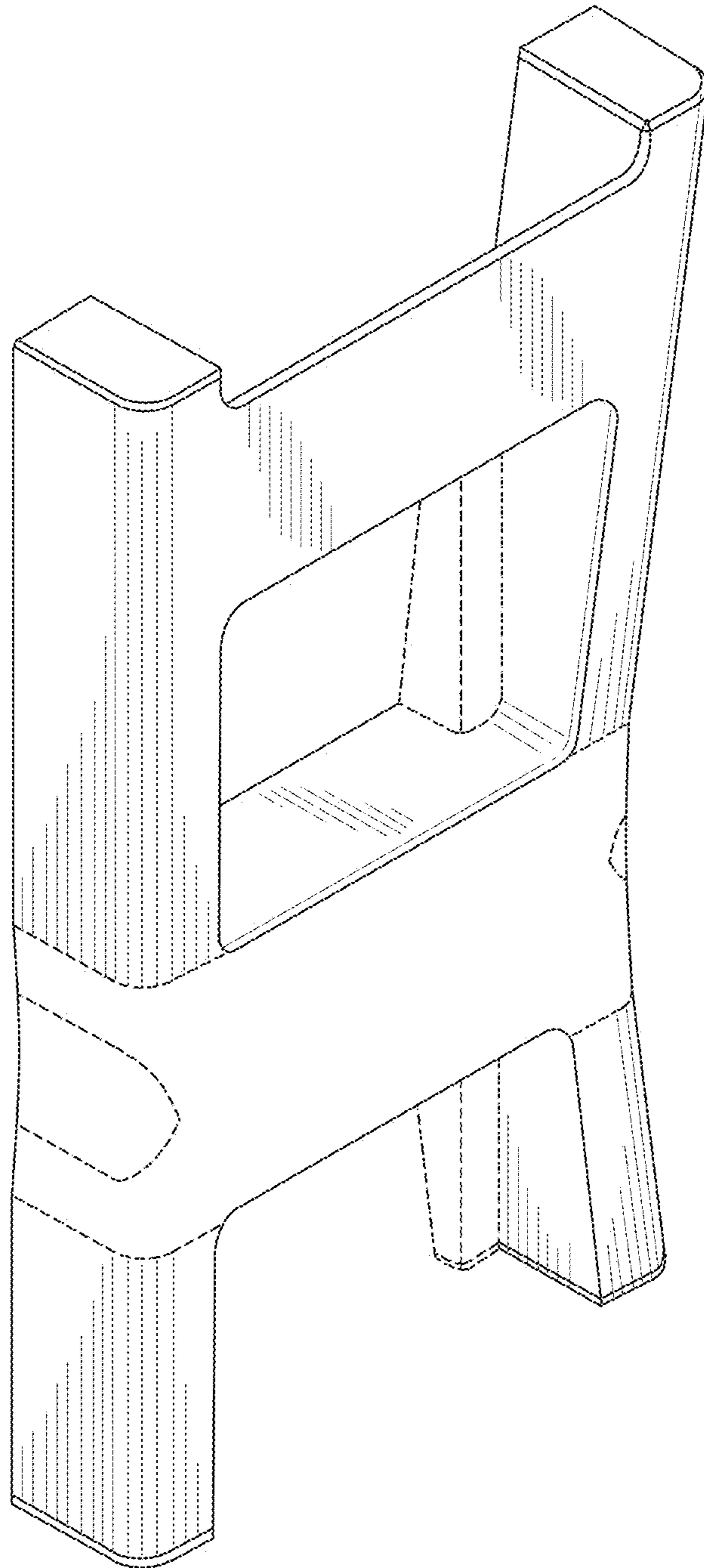


FIG. 3

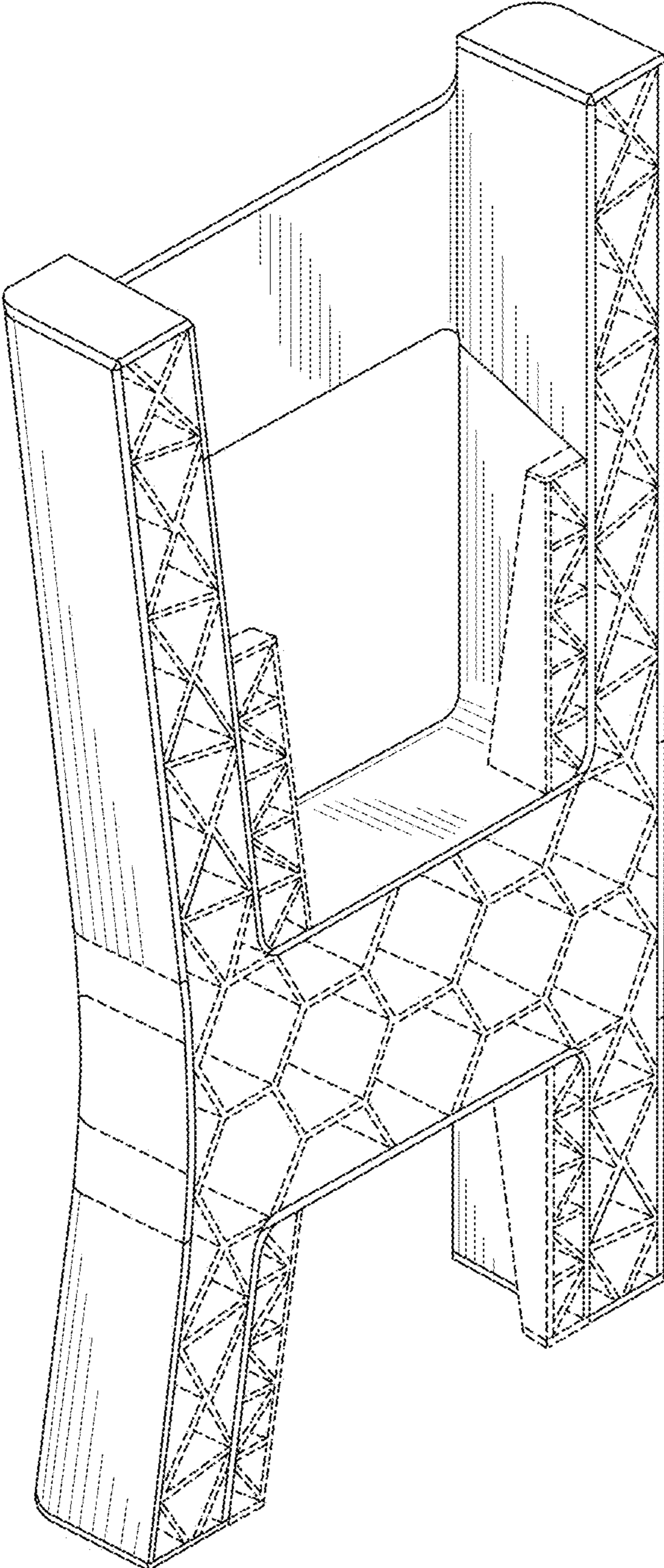


FIG. 4

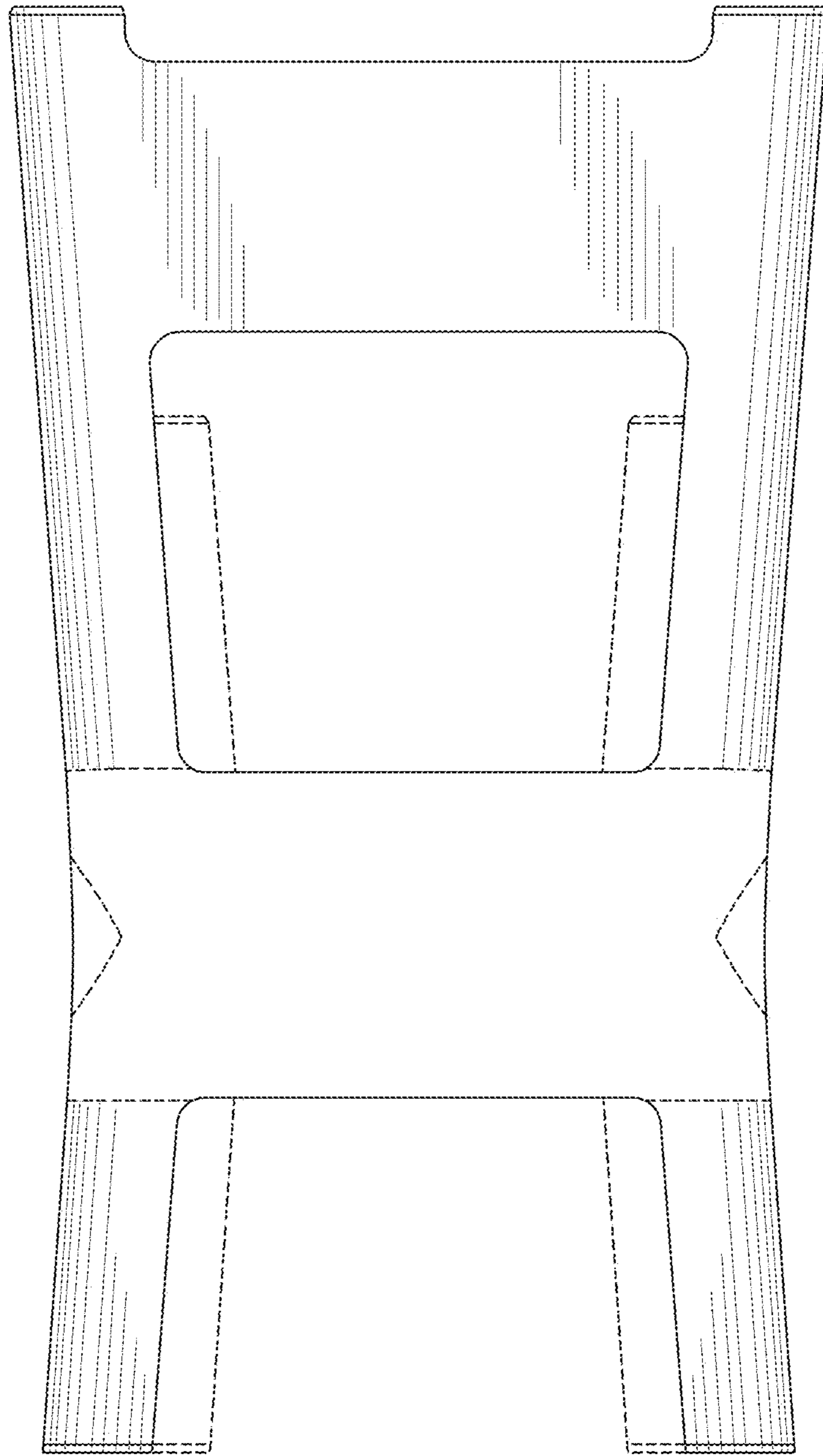


FIG. 5

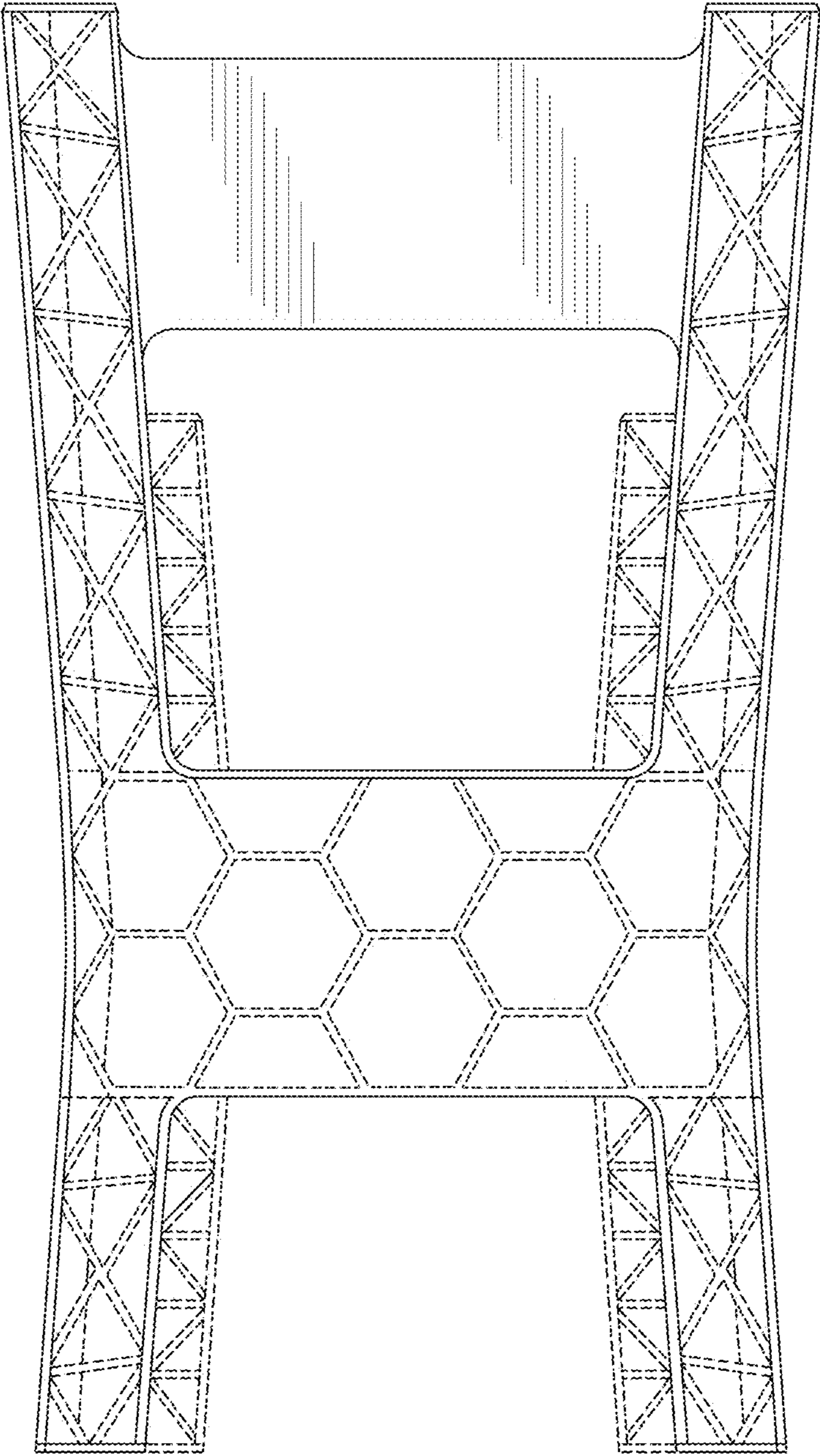


FIG. 6

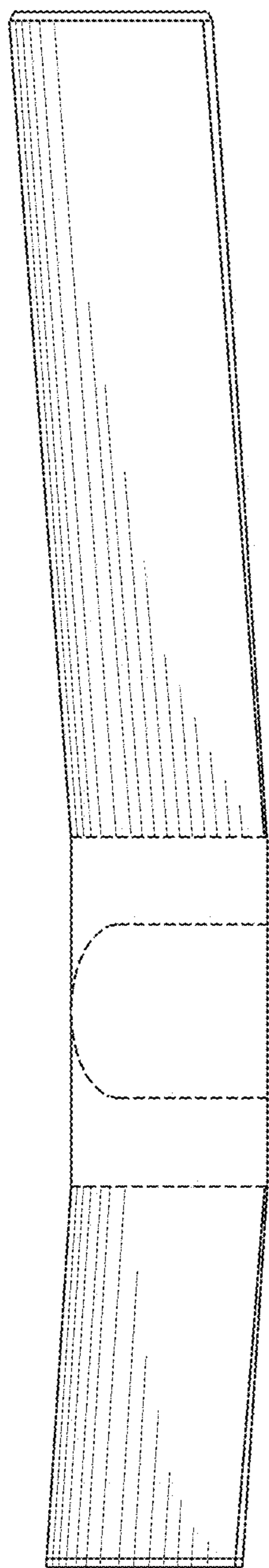


FIG. 7

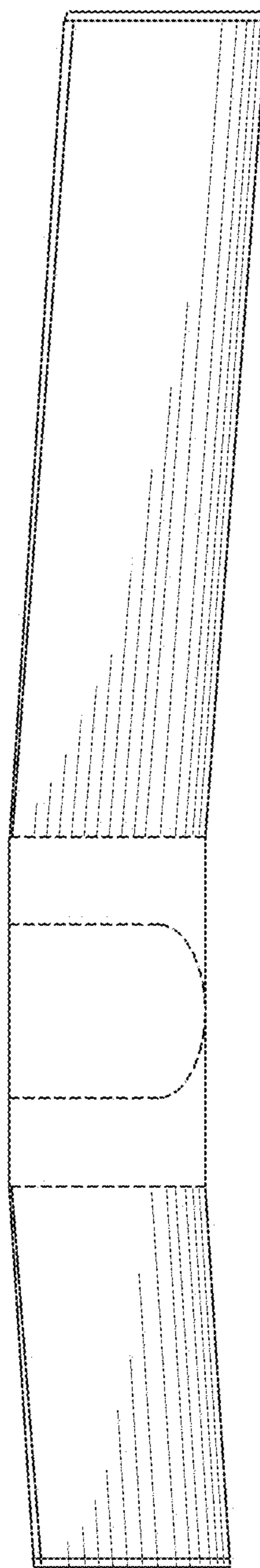


FIG. 8



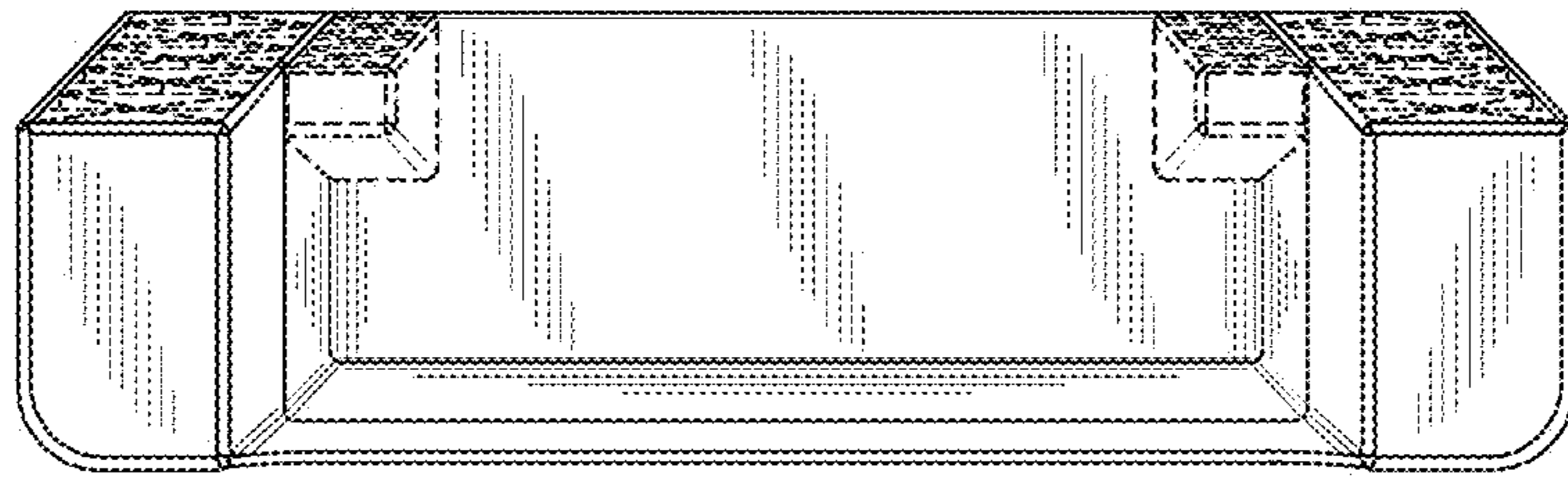


FIG. 9

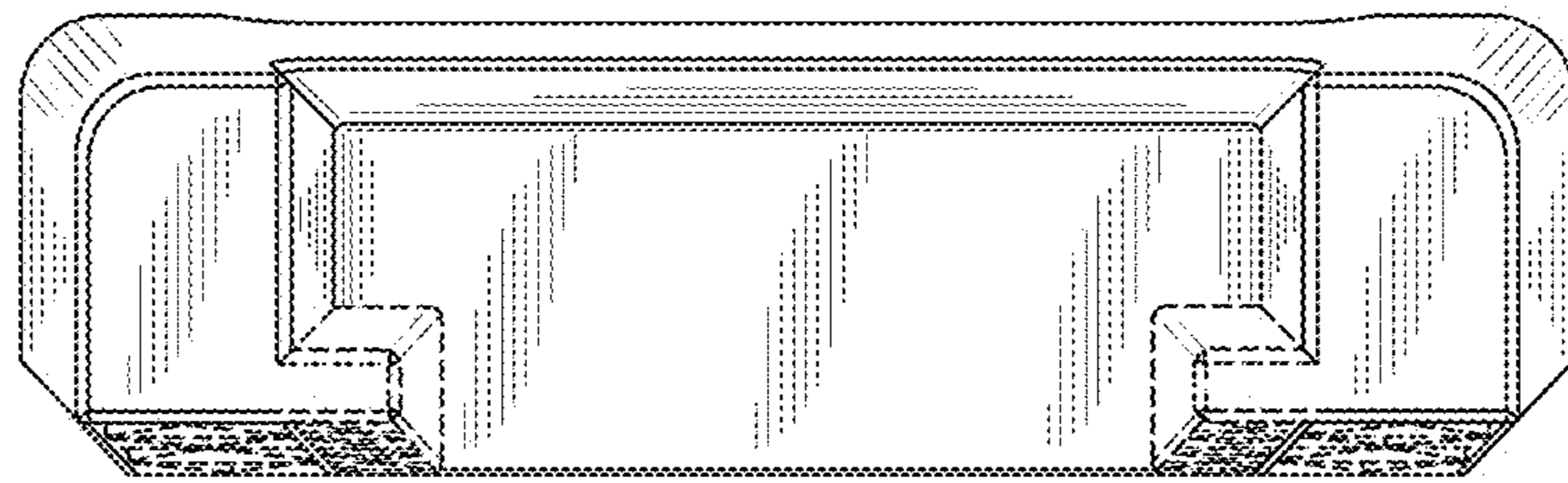


FIG. 10