



US00D740714S

(12) **United States Design Patent**  
**Cerrato**

(10) **Patent No.:** **US D740,714 S**  
(45) **Date of Patent:** **\*\* Oct. 13, 2015**

- (54) **WATCH CLASP**
- (71) Applicant: **TUDOR WATCH U.S.A, LLC**, New York, NY (US)
- (72) Inventor: **Davide Cerrato**, Geneva (CH)
- (73) Assignee: **TUDOR WATCH U.S.A., LLC**, New York, NY (US)
- (\*\*) Term: **14 Years**
- (21) Appl. No.: **29/496,808**
- (22) Filed: **Jul. 17, 2014**

**Related U.S. Application Data**

- (62) Division of application No. 29/429,526, filed on Aug. 13, 2012.

(30) **Foreign Application Priority Data**

Feb. 14, 2012 (CH) ..... 138685

- (51) **LOC (10) Cl.** ..... **11-01**
- (52) **U.S. Cl.**  
USPC ..... **D11/94**
- (58) **Field of Classification Search**  
USPC ..... D11/1-25, 32, 93, 94; 59/78, 79.2;  
63/1.11, 3, 3.1, 3.2, 5.1, 5.2, 7-11;  
224/175; D10/30-32  
CPC ..... A44C 5/02-5/246  
See application file for complete search history.

(56) **References Cited**

**U.S. PATENT DOCUMENTS**

1,626,160 A	4/1927	Schwalberg
2,420,435 A	5/1947	Lackow
2,481,865 A	9/1949	Penfold
D195,421 S	6/1963	Huguenin
3,475,902 A	11/1969	Wessel
D295,841 S	5/1988	Kano

D306,981 S	4/1990	Bettelini	
D337,588 S *	7/1993	Cruz et al.	D14/218
D338,160 S	8/1993	Houlihan	
D353,340 S	12/1994	Burgener	
D356,040 S	3/1995	Bulgari	
5,418,760 A *	5/1995	Kawashima et al.	368/69
D377,613 S	1/1997	Consolo	
D391,871 S	3/1998	Brzezinski	
D393,807 S *	4/1998	Houlihan et al.	D10/32
D404,676 S *	1/1999	Sayama	D11/5
D420,598 S	2/2000	Wagenheim	
6,035,035 A *	3/2000	Firooz	379/433.1
D449,231 S	10/2001	Giardiello	
D453,299 S	2/2002	Bach et al.	
D466,488 S *	12/2002	Wada et al.	D14/138 R
D519,855 S	5/2006	Tonohori	
D521,879 S	5/2006	Tonohori	
D534,084 S	12/2006	Linde	
D539,774 S *	4/2007	Crockett	D14/138 AD
7,209,114 B2 *	4/2007	Radley-Smith	345/156
D565,427 S *	4/2008	Ellner et al.	D10/31
7,398,114 B2 *	7/2008	Gartrell	455/575.8
D595,254 S *	6/2009	Roberts	D14/138 AA
D695,144 S	12/2013	Calvani	
D716,247 S *	10/2014	Yun et al.	D14/138 R

\* cited by examiner

*Primary Examiner* — Zenia Bennett

(74) *Attorney, Agent, or Firm* — Sughrue Mion, PLLC

(57) **CLAIM**

The ornamental design for a watch clasp, as shown and described.

**DESCRIPTION**

FIG. 1 is a front view of a watch clasp showing my new design;  
 FIG. 2 is a rear view thereof;  
 FIG. 3 is a left side view thereof;  
 FIG. 4 is a right side view thereof;  
 FIG. 5 is a top view thereof;  
 FIG. 6 is a bottom view thereof; and,  
 FIG. 7 is a perspective view thereof.

**1 Claim, 3 Drawing Sheets**

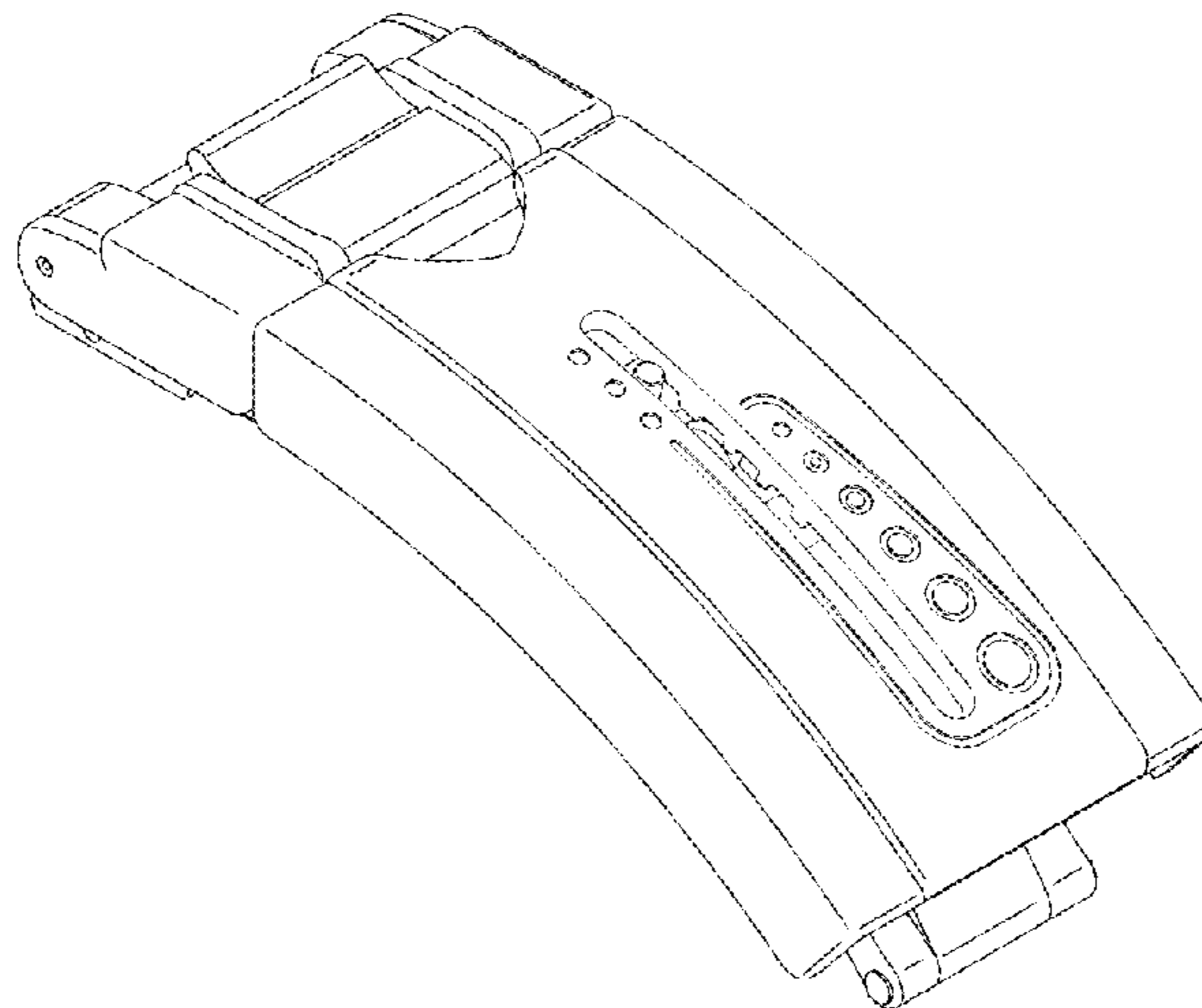


FIG. 1

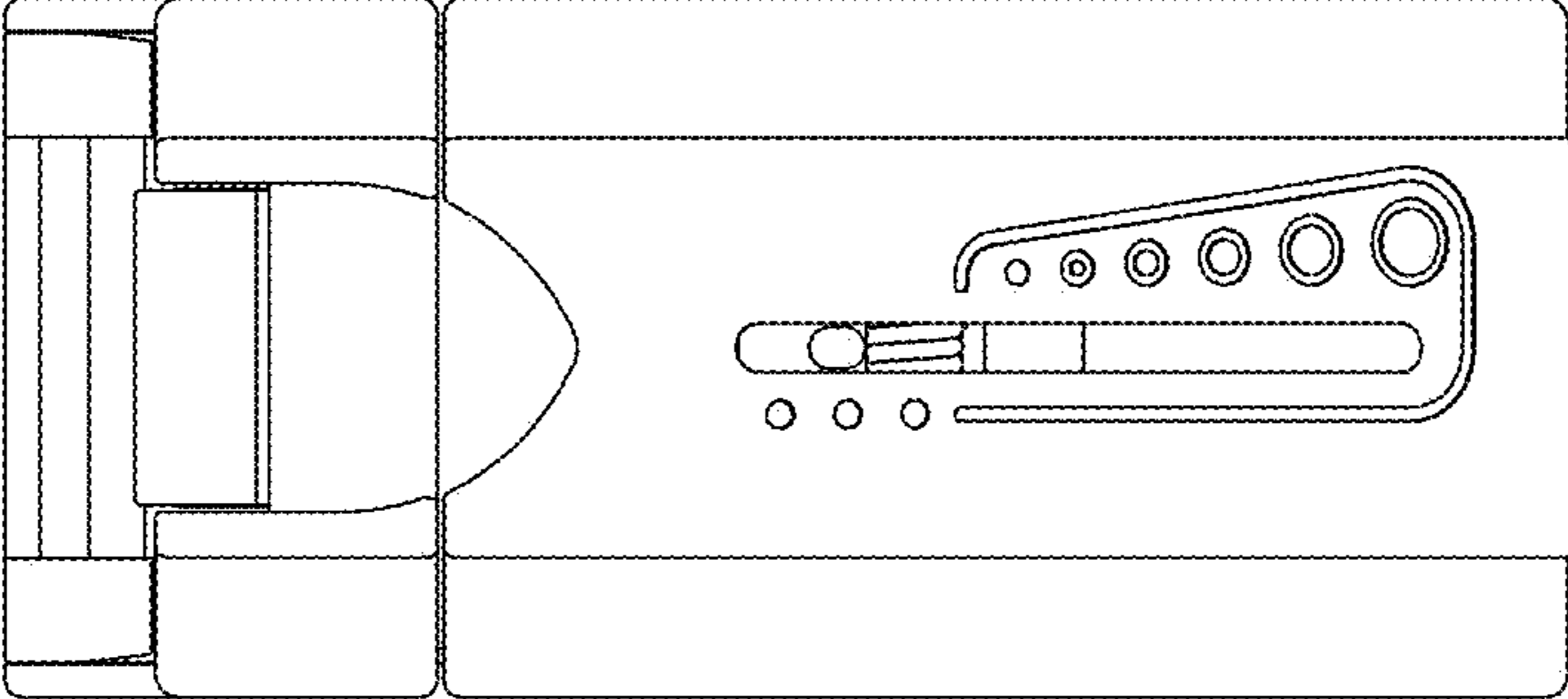


FIG. 2

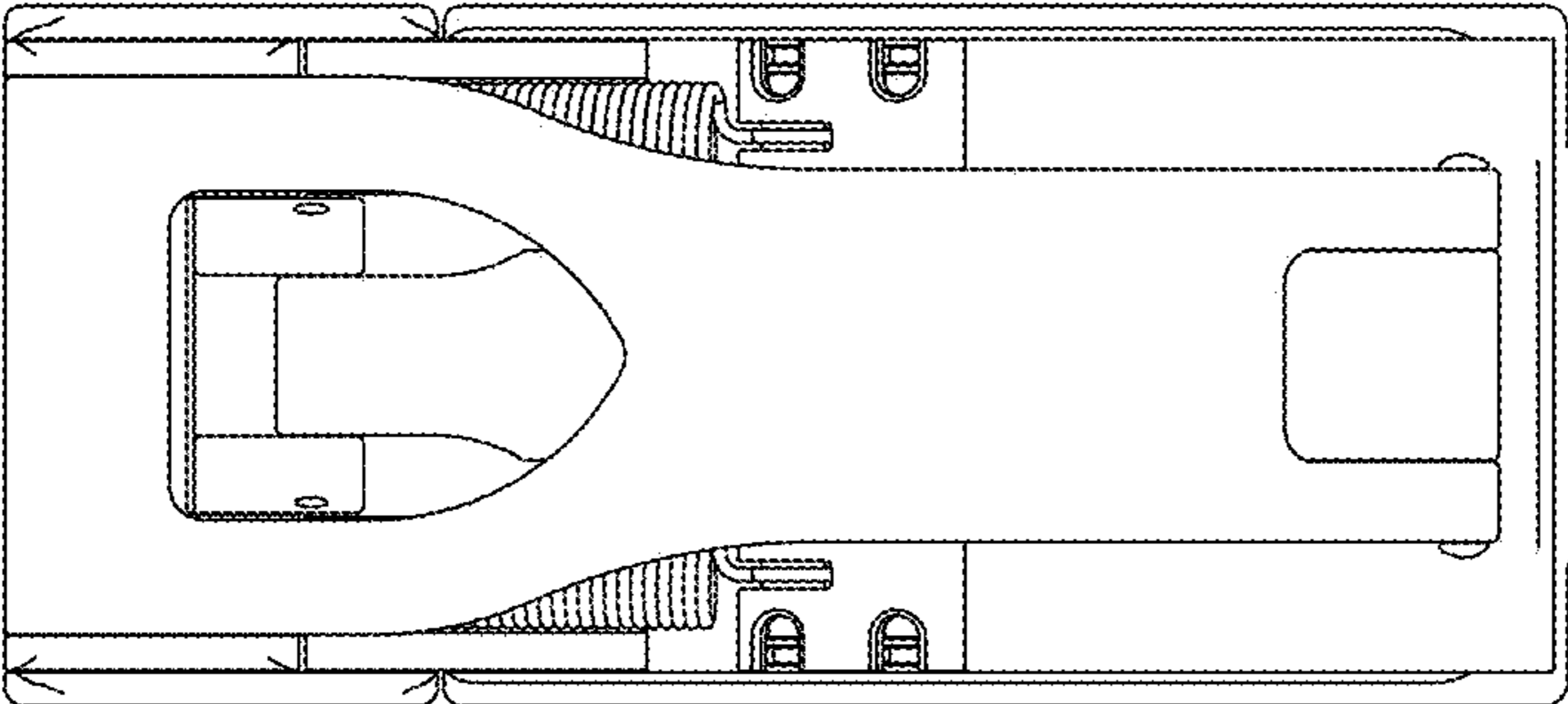


FIG. 3

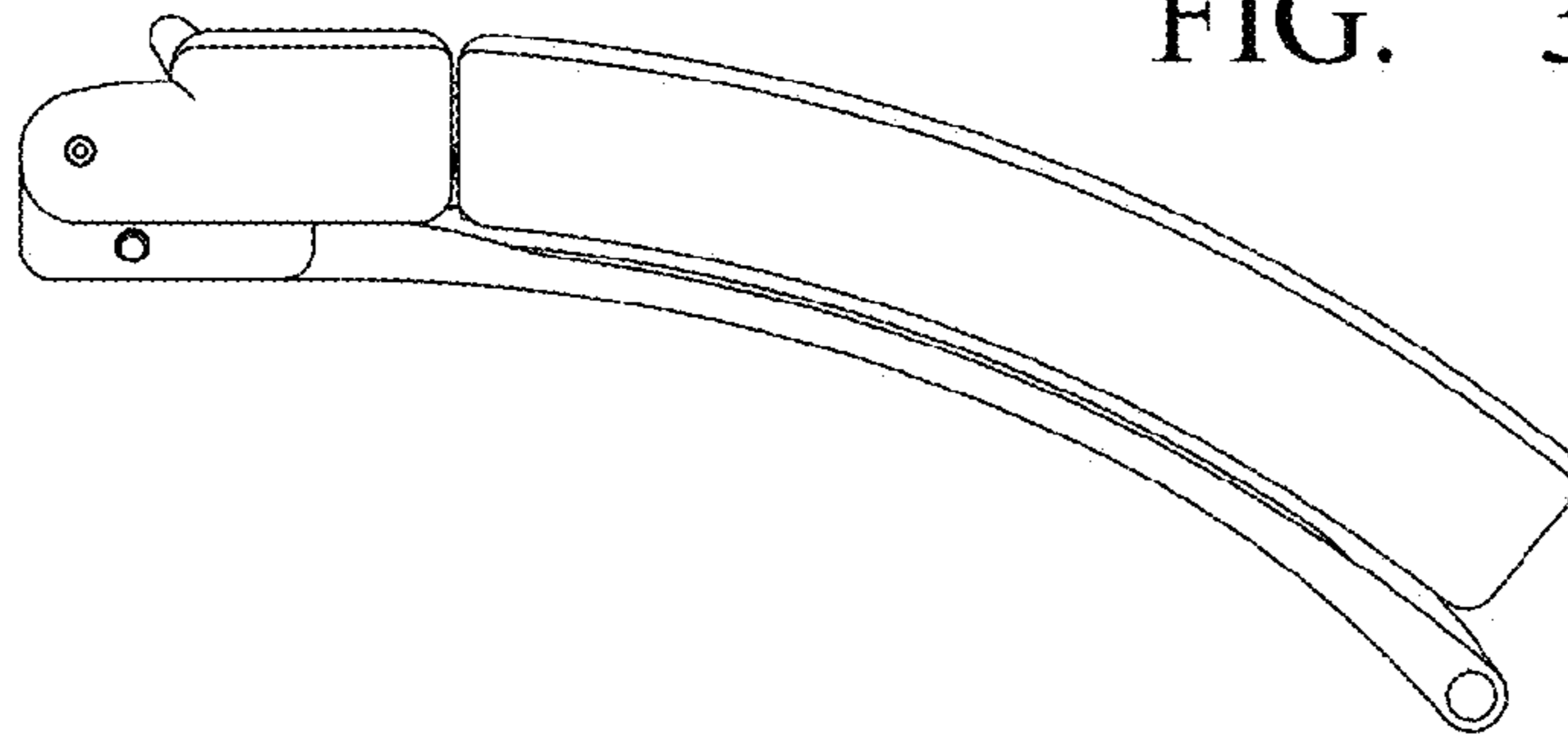


FIG. 4

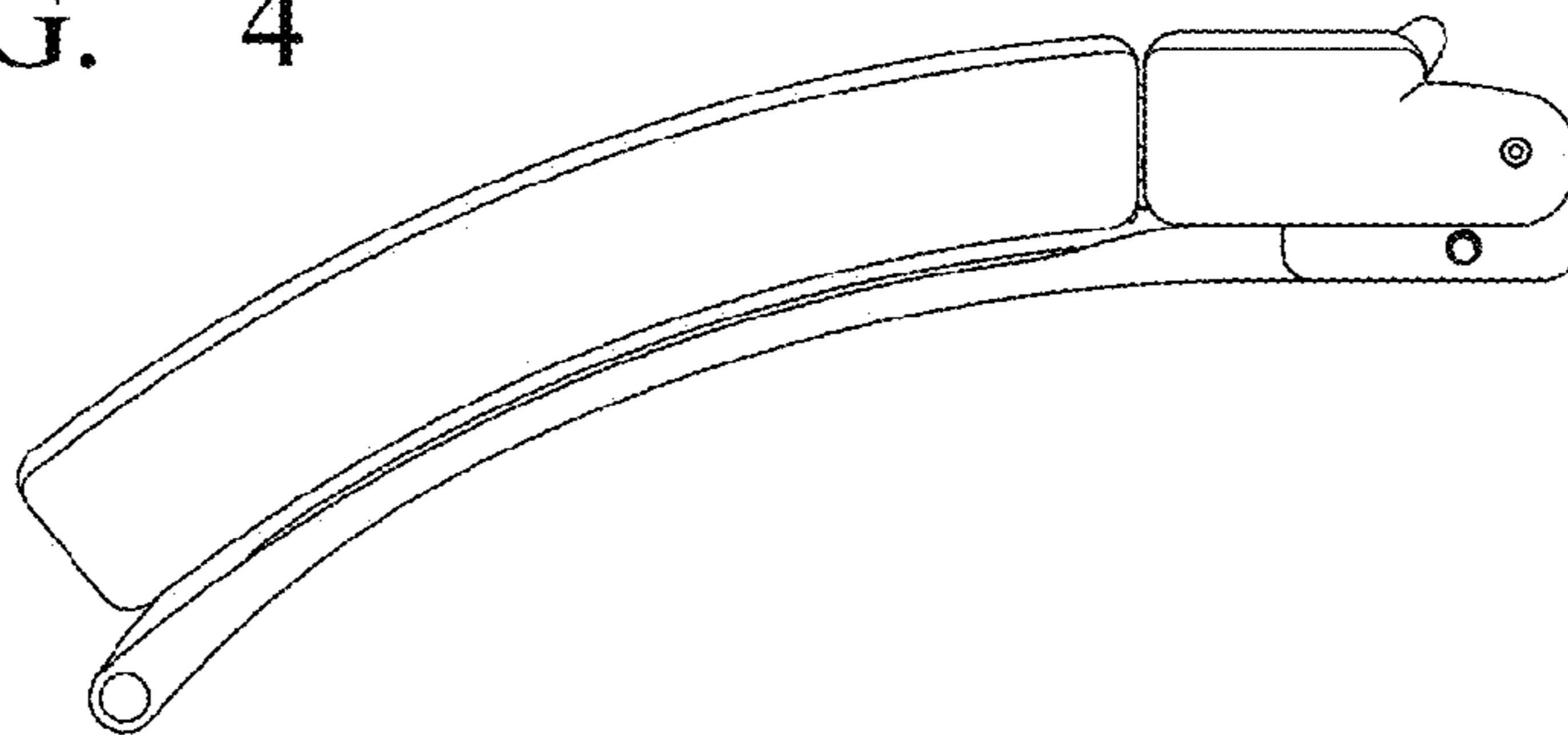


FIG. 5

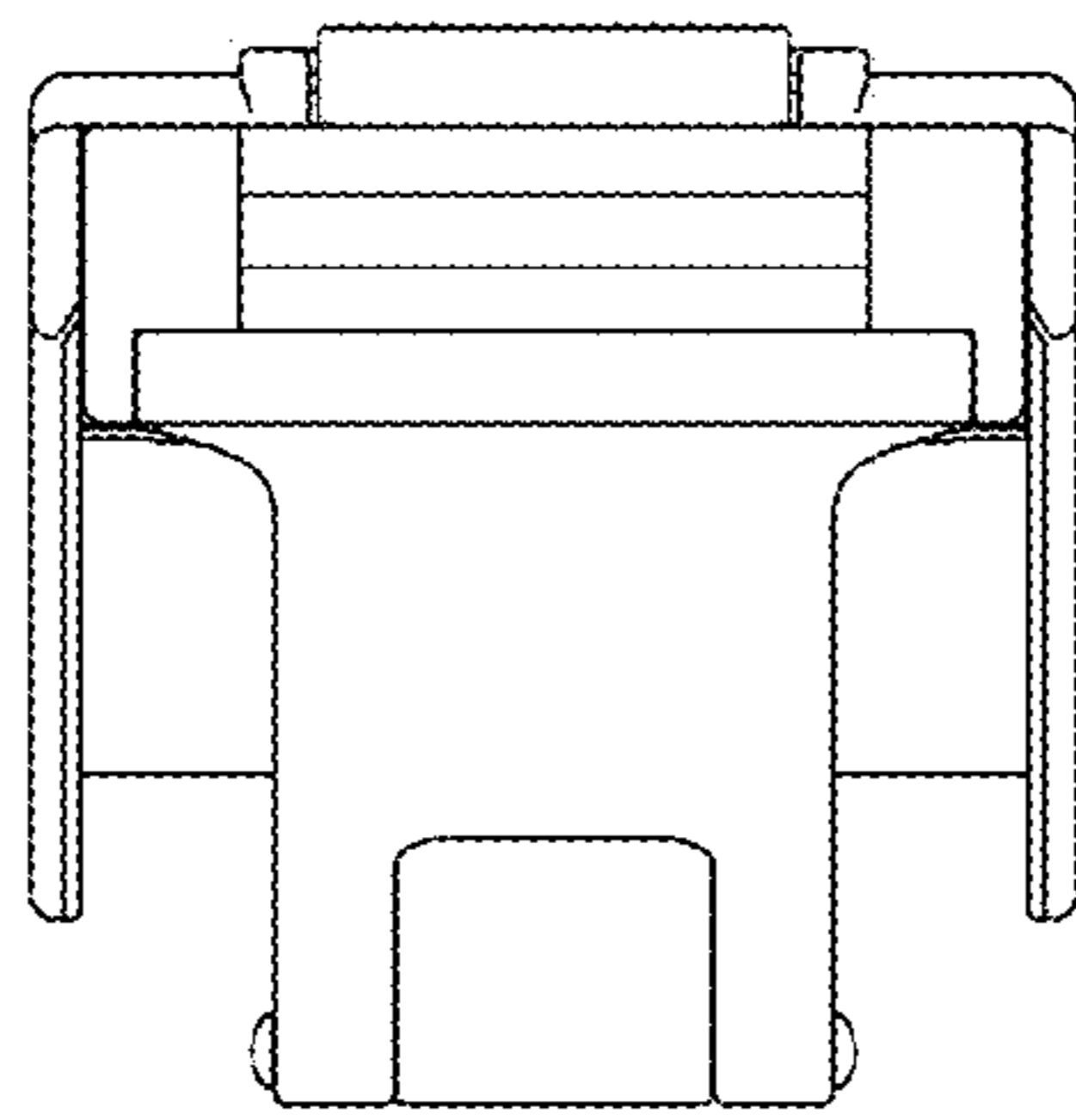


FIG. 6

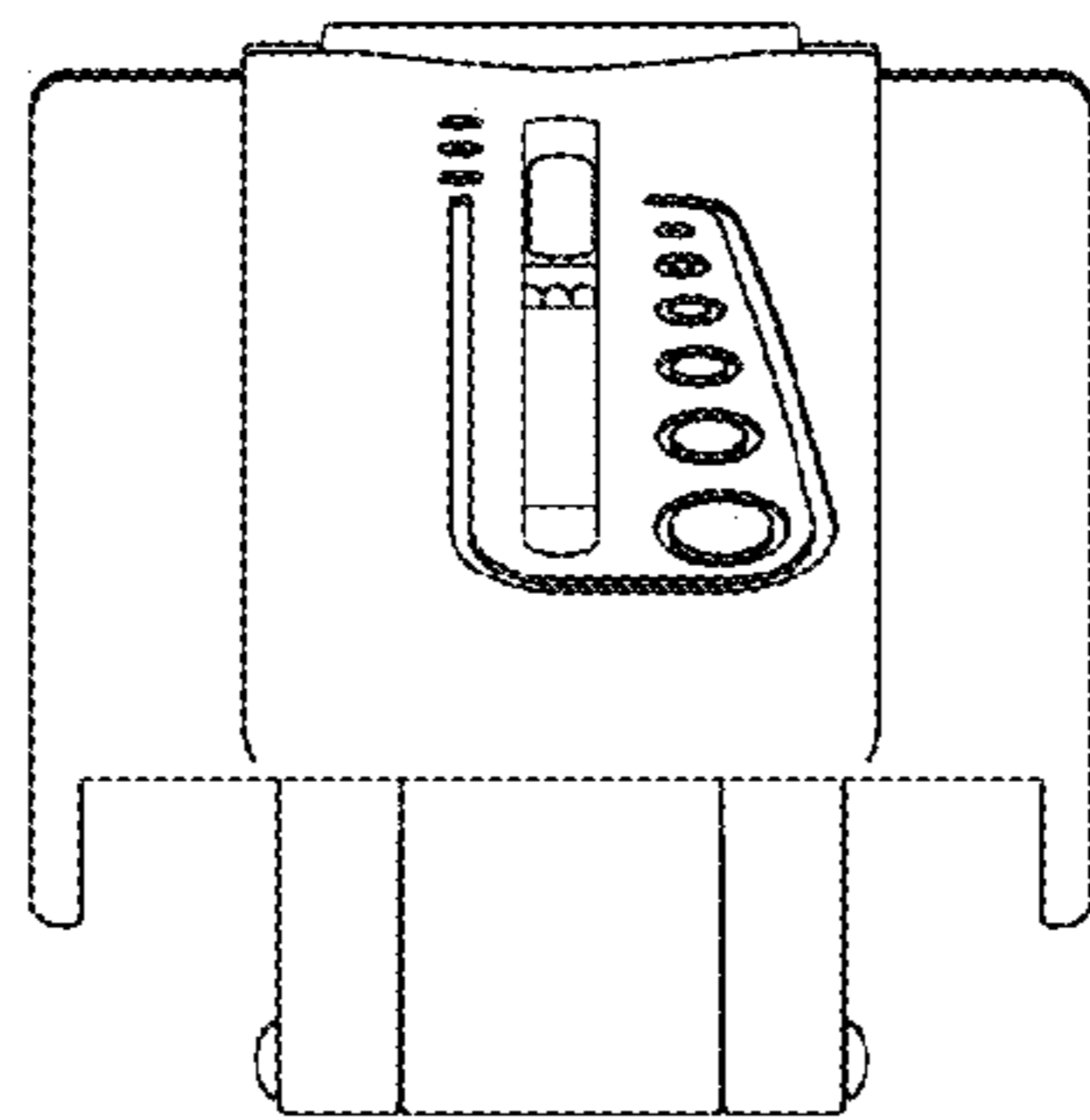


FIG. 7

