



US00D740708S

(12) **United States Design Patent**
Pecorari

(10) **Patent No.:** **US D740,708 S**

(45) **Date of Patent:** **** Oct. 13, 2015**

(54) **TRANSMITTER**

(71) Applicant: **Horizon Hobby, Inc.**, Champaign, IL
(US)

(72) Inventor: **Mirco Pecorari**, Modena (IT)

(73) Assignee: **Horizon Hobby, LLC**, Champaign, IL
(US)

(**) Term: **14 Years**

(21) Appl. No.: **29/480,636**

(22) Filed: **Jan. 28, 2014**

(51) **LOC (10) Cl.** **10-05**

(52) **U.S. Cl.**
USPC **D10/104.1**

(58) **Field of Classification Search**
USPC D13/180; D10/18, 21, 24, 25, 27, 28,
D10/46, 93, 104, 106, 113, 114, 116.1, 121;
D17/99; D26/13; D14/195
CPC A63H 30/04; G05G 2009/04748;
H04B 1/1027; F21V 29/004; F21V 21/02;
F21V 21/04; F21V 29/2212; F21S 8/04;
F21Y 2101/02

See application file for complete search history.

(56) **References Cited**

U.S. PATENT DOCUMENTS

2,272,937	A *	2/1942	Emde	312/7.1
D322,103	S *	12/1991	Kohno	D21/566
D322,297	S *	12/1991	Kohno	D21/566
D342,297	S *	12/1993	Kouno	D21/566
D344,553	S *	2/1994	Arai	D21/566
5,499,388	A *	3/1996	Song	455/62
D374,694	S *	10/1996	Arai	D21/566
D377,198	S *	1/1997	Oikawa et al.	D14/401
D395,472	S *	6/1998	Kanetsuna et al.	D21/566
D397,169	S *	8/1998	Kanetsuna et al.	D21/453
D408,398	S *	4/1999	Arnold	D14/138 AA
D426,226	S *	6/2000	Ridinger	D14/188
D433,674	S *	11/2000	Buckley	D14/218
D443,258	S *	6/2001	Gartrell et al.	D14/138 AA

D447,778	S *	9/2001	Bao	D21/566
D453,929	S *	2/2002	Gartrell et al.	D14/248
D456,050	S *	4/2002	Bao	D21/566
D471,603	S *	3/2003	Morita et al.	D21/566
6,620,022	B1 *	9/2003	Smith et al.	446/454
D514,172	S *	1/2006	Jinno et al.	D21/566
D516,136	S *	2/2006	Yuen	D21/566
D517,129	S *	3/2006	Yamamoto et al.	D21/566
D519,468	S *	4/2006	Khasminsky	D13/168
D521,573	S *	5/2006	Jinno et al.	D21/566
D546,905	S *	7/2007	Arai et al.	D21/566

(Continued)

OTHER PUBLICATIONS

Remote Control Rc, image post date Nov. 29, 2010, site visited May 30, 2015, (online), <<http://design-site.net/cutpapercollage/remote-control-rc>>.*

Primary Examiner — Kevin Rudzinski

Assistant Examiner — Sean D Lough

(74) *Attorney, Agent, or Firm* — McDonnell Boehnen Hulbert & Berghoff LLP

(57) **CLAIM**

The ornamental design for a transmitter, as shown and described.

DESCRIPTION

FIG. 1 is a perspective view of the transmitter of my new design;

FIG. 2 is a front view thereof;

FIG. 3 is a back view thereof;

FIG. 4 is a left view thereof;

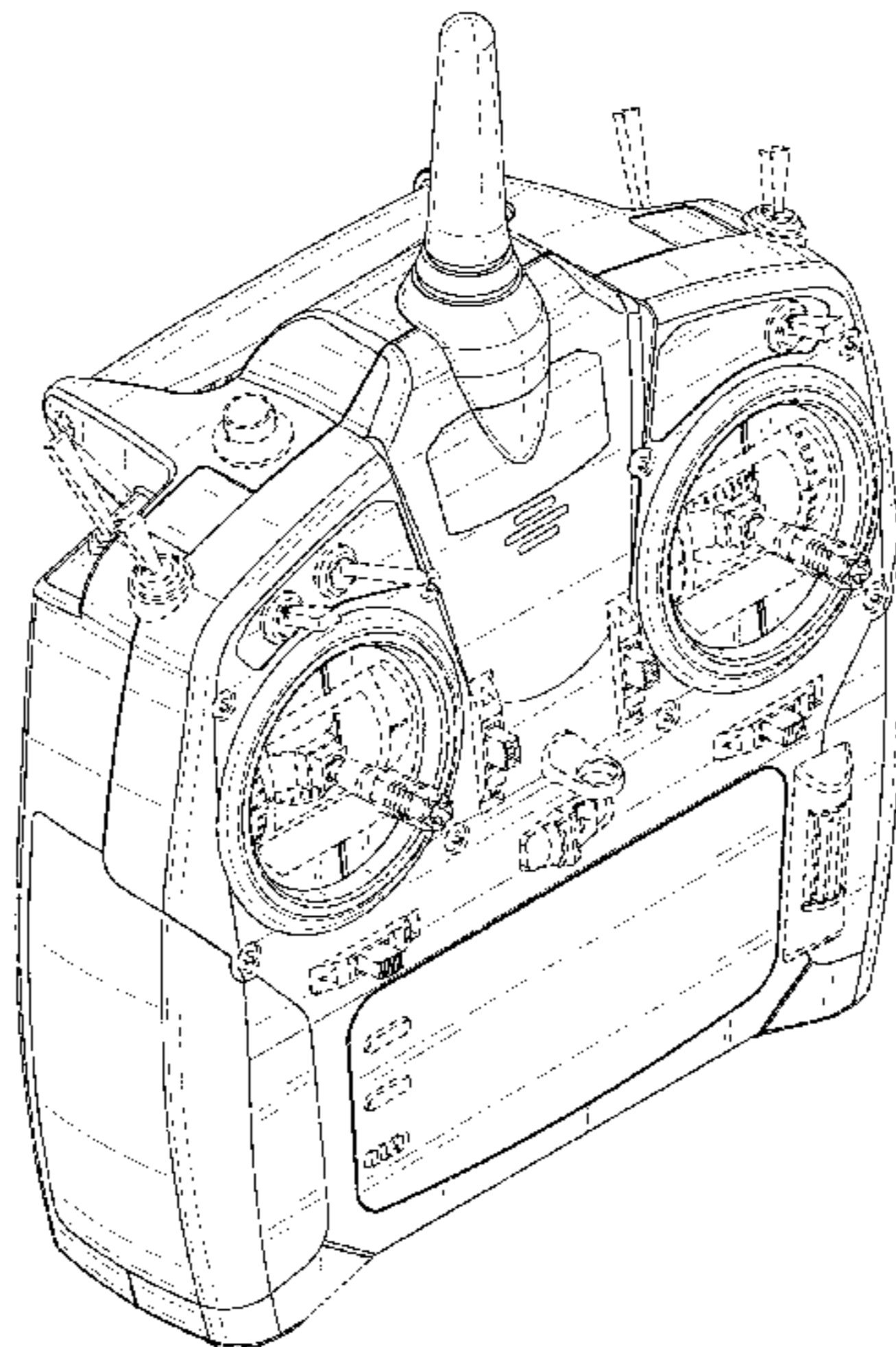
FIG. 5 is a right view thereof;

FIG. 6 is a top view thereof; and,

FIG. 7 is a bottom view thereof.

The surface shading on claimed surfaces in all figures show contour and not surface ornamentation. The broken lines and the surfaces adjacent to broken lines without surface shading illustrate portions of the transmitter that form no part of the claimed design.

1 Claim, 7 Drawing Sheets



(56)

References Cited

U.S. PATENT DOCUMENTS

7,250,844 B2 *	7/2007	Arai et al.	338/118	D577,394 S *	9/2008	Wai	D21/566
D560,204 S *	1/2008	Bhavnani	D14/171	D594,071 S *	6/2009	Jinno et al.	D21/566
D568,420 S *	5/2008	Hamasaki	D21/566	D636,825 S *	4/2011	Tanaka et al.	D21/566
D568,421 S *	5/2008	Sonoda	D21/566	D650,021 S *	12/2011	Suzuki et al.	D21/566
D570,924 S *	6/2008	Wai	D21/566	D670,768 S *	11/2012	Isono et al.	D21/566
D573,204 S *	7/2008	Arai et al.	D21/566	D707,758 S *	6/2014	Norman et al.	D21/566
				2003/0114075 A1 *	6/2003	Moll et al.	446/456
				2006/0228987 A1 *	10/2006	Hayashi	446/456

* cited by examiner

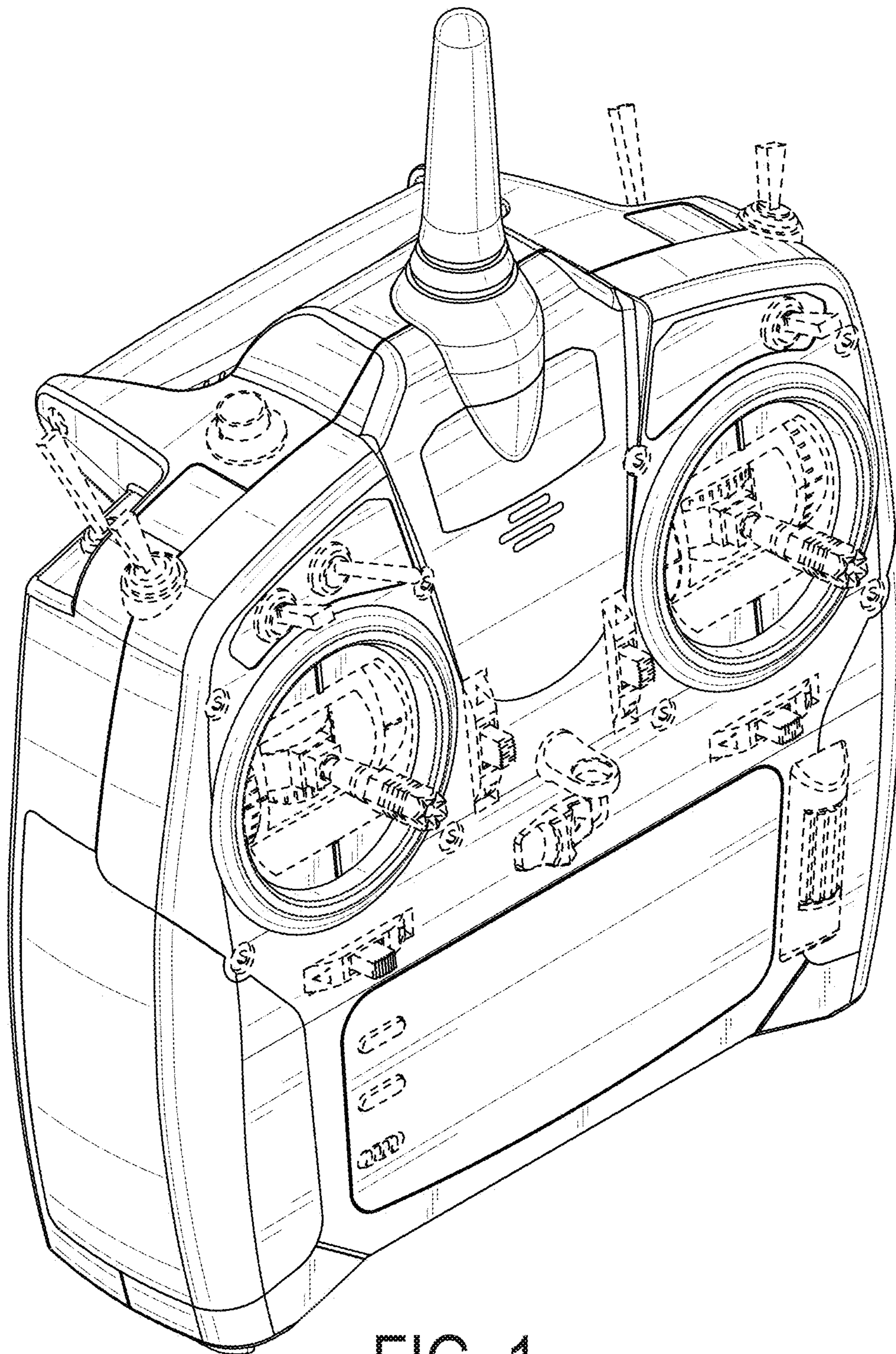


FIG. 1

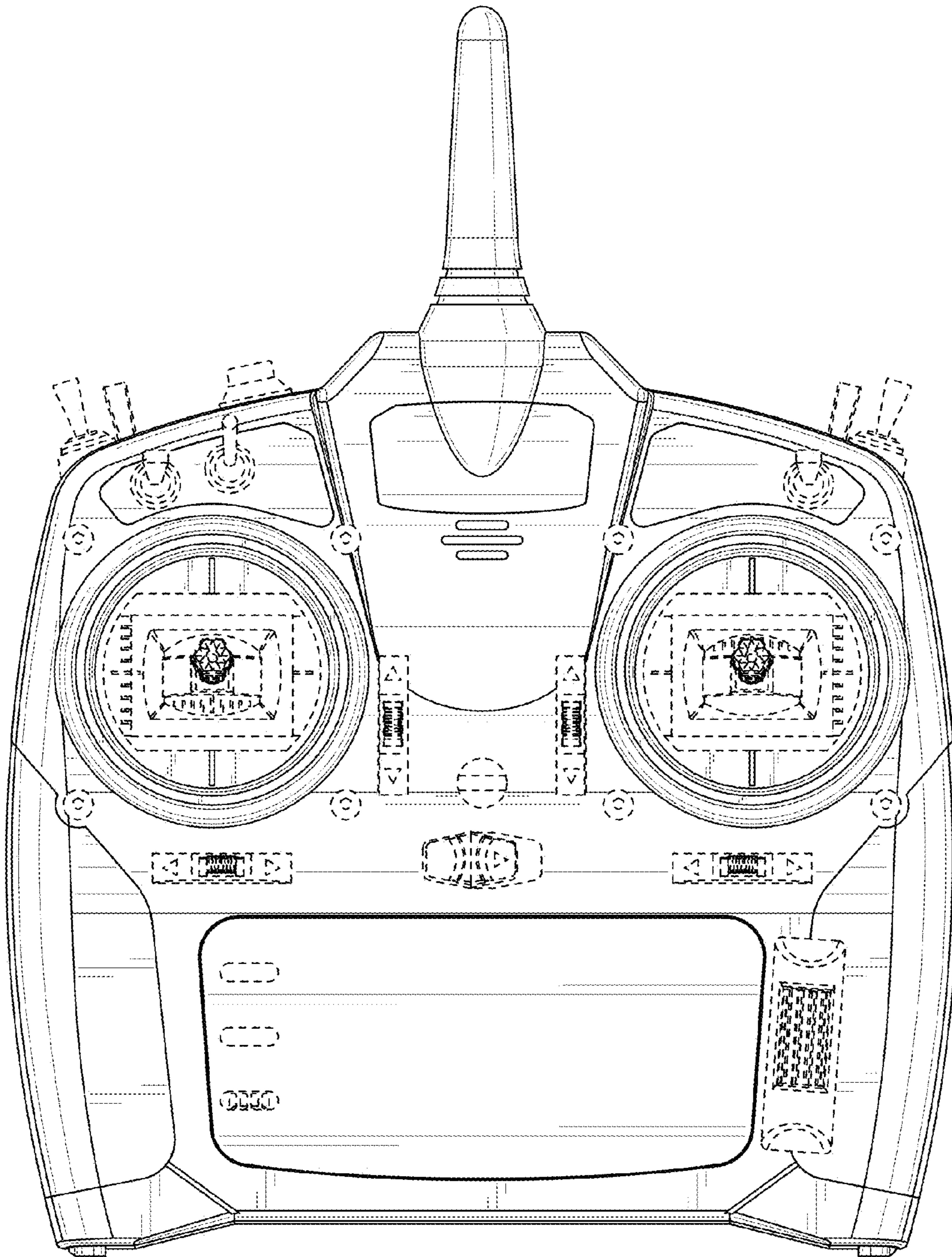


FIG. 2

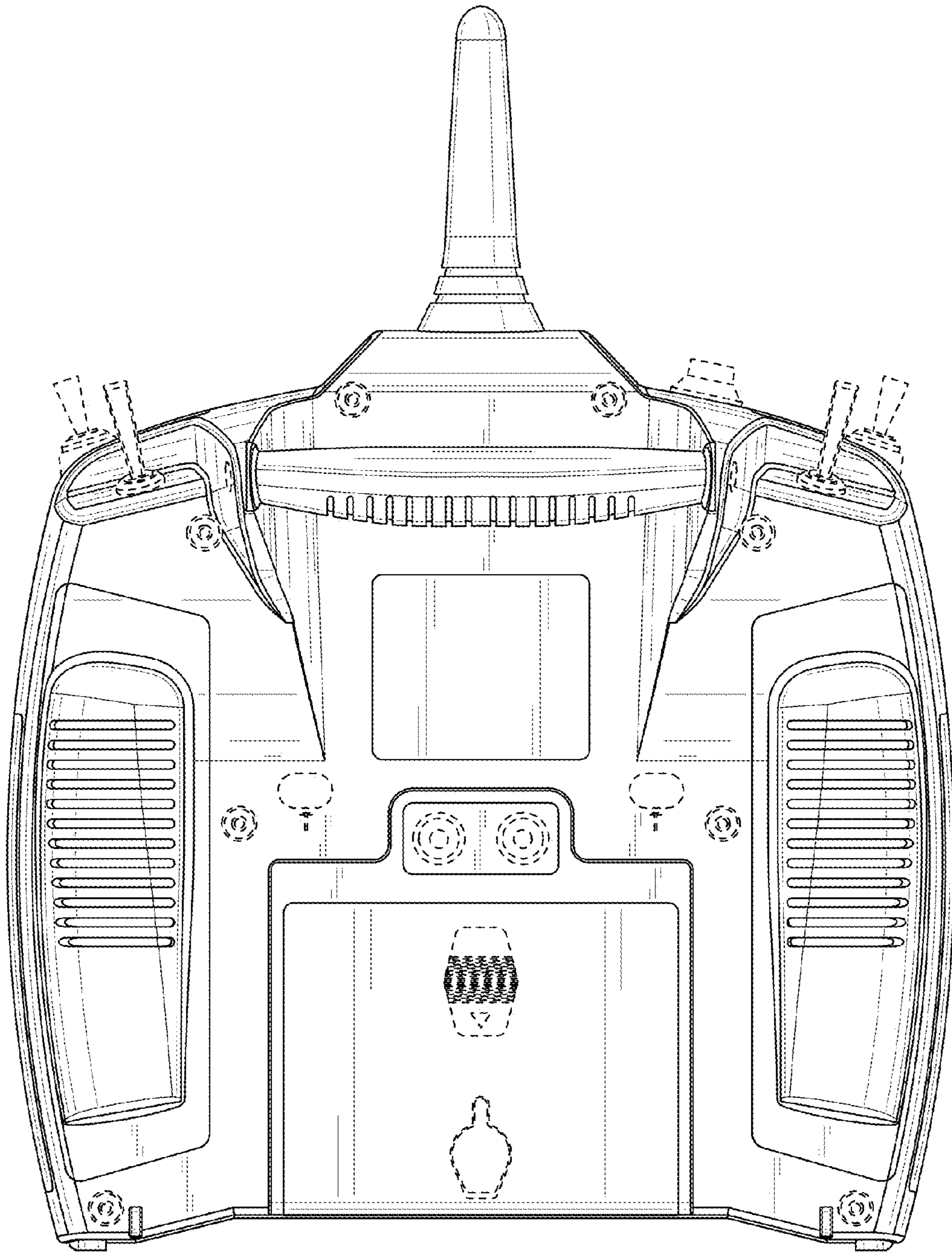


FIG. 3

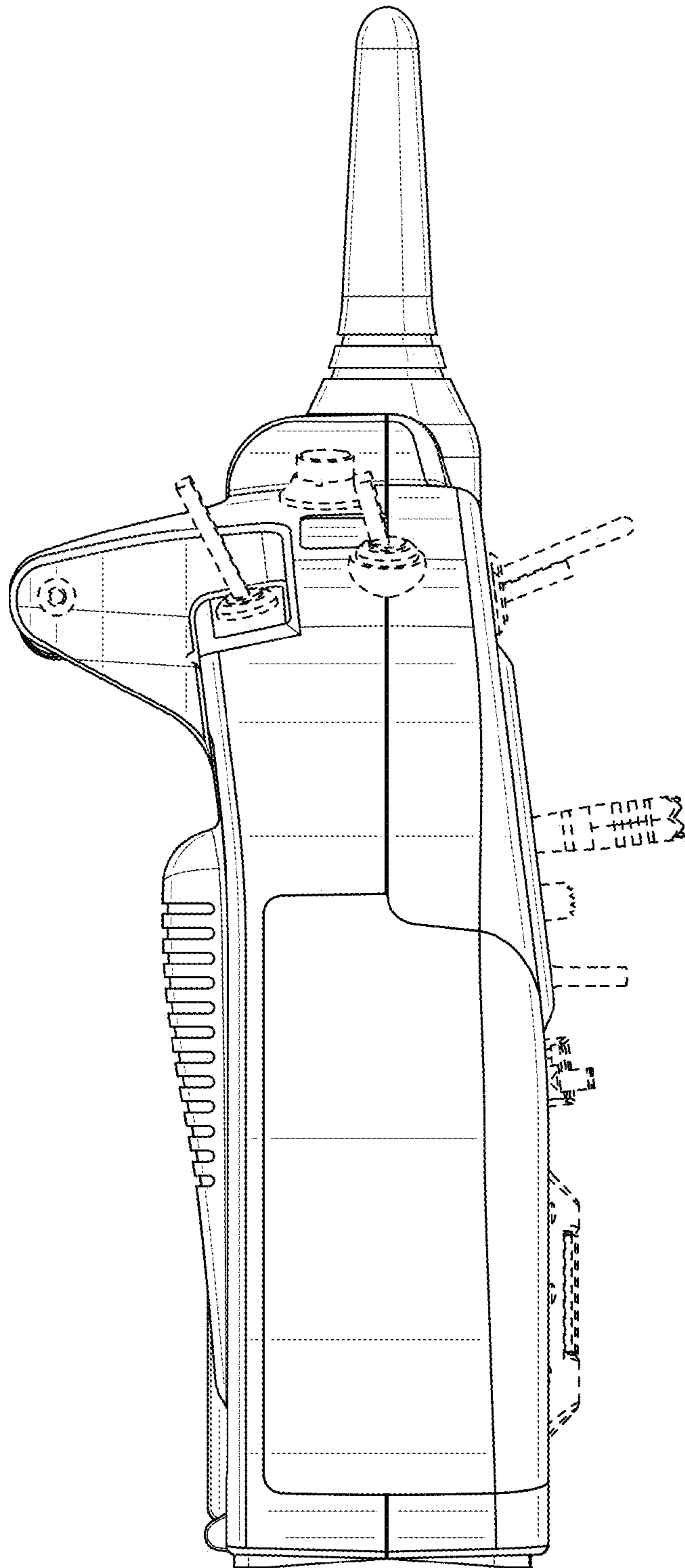


FIG. 4

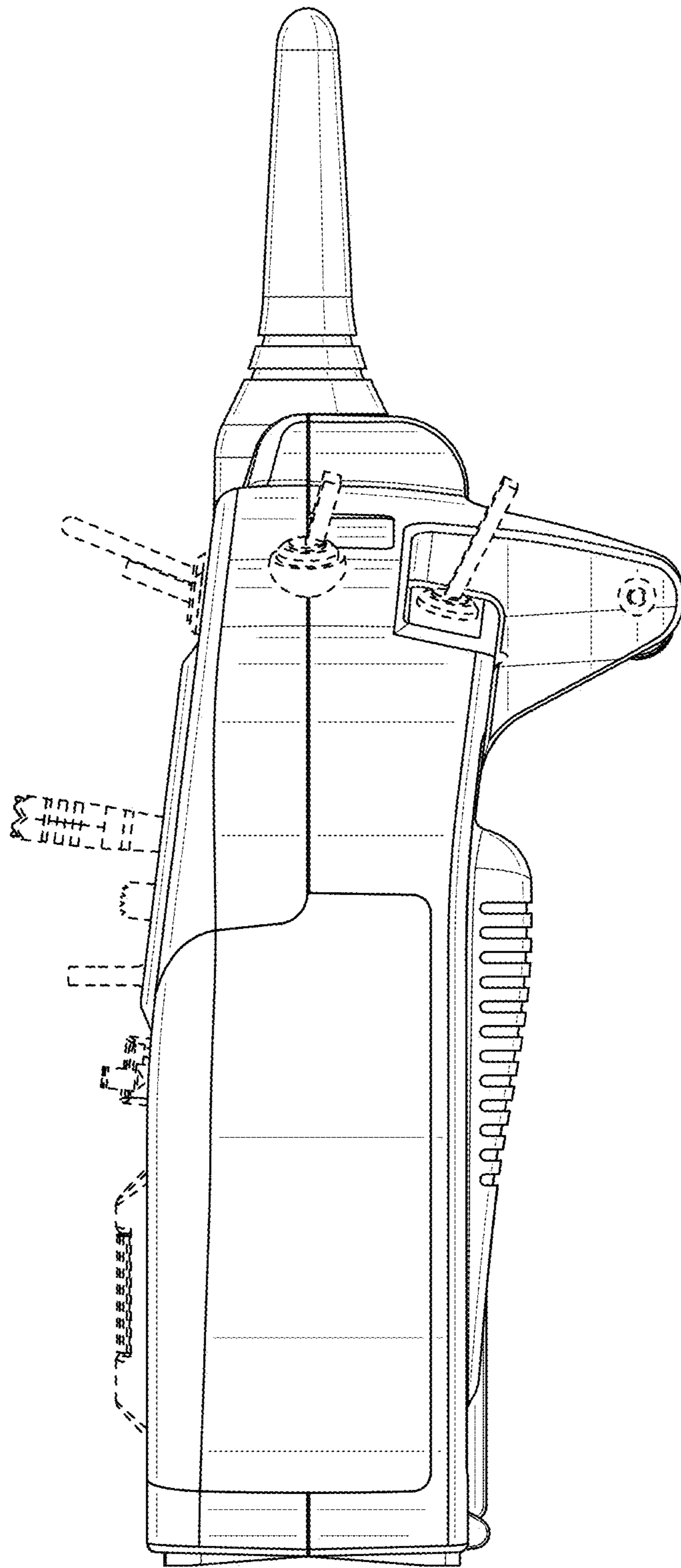


FIG. 5

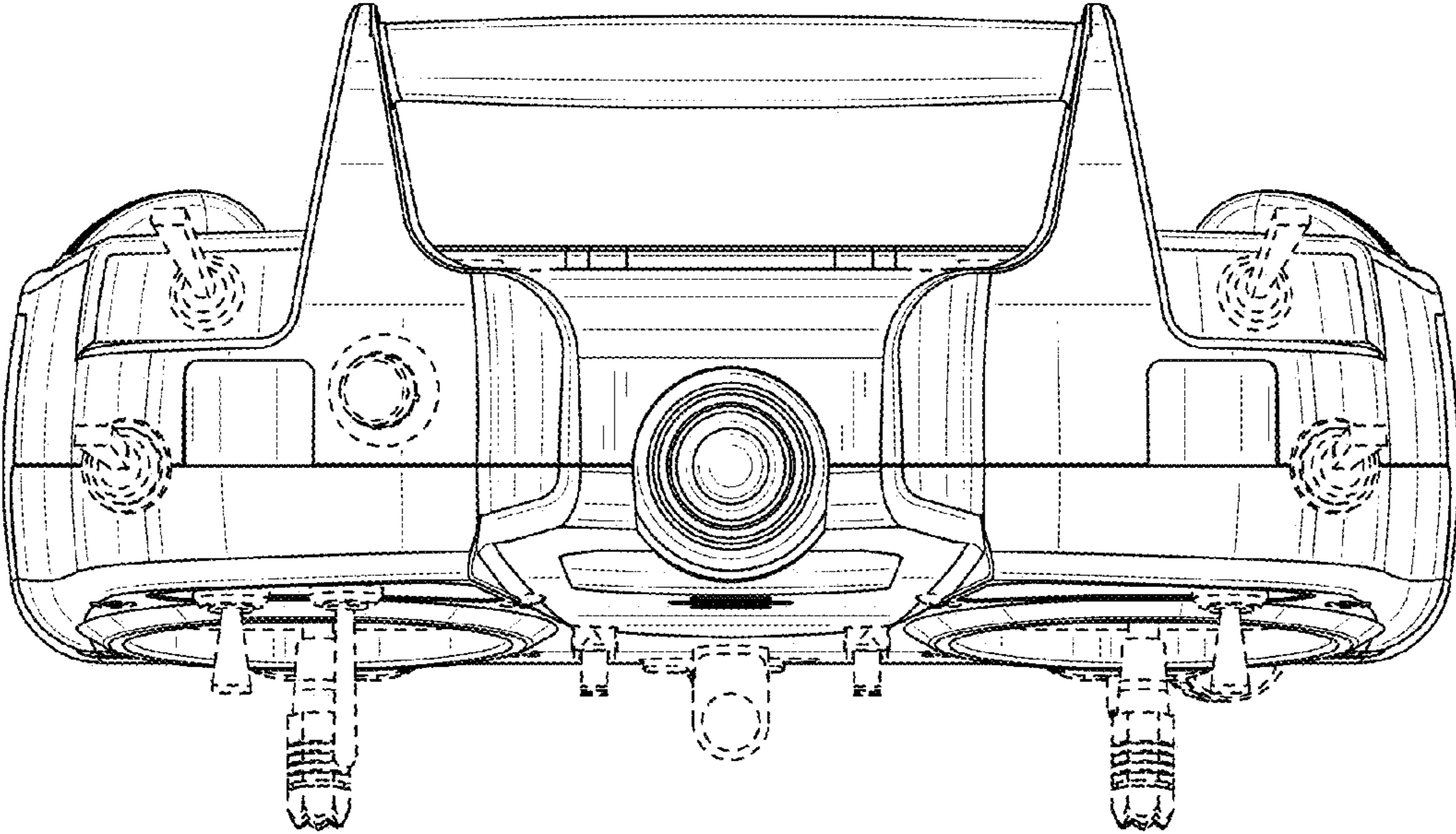


FIG. 6

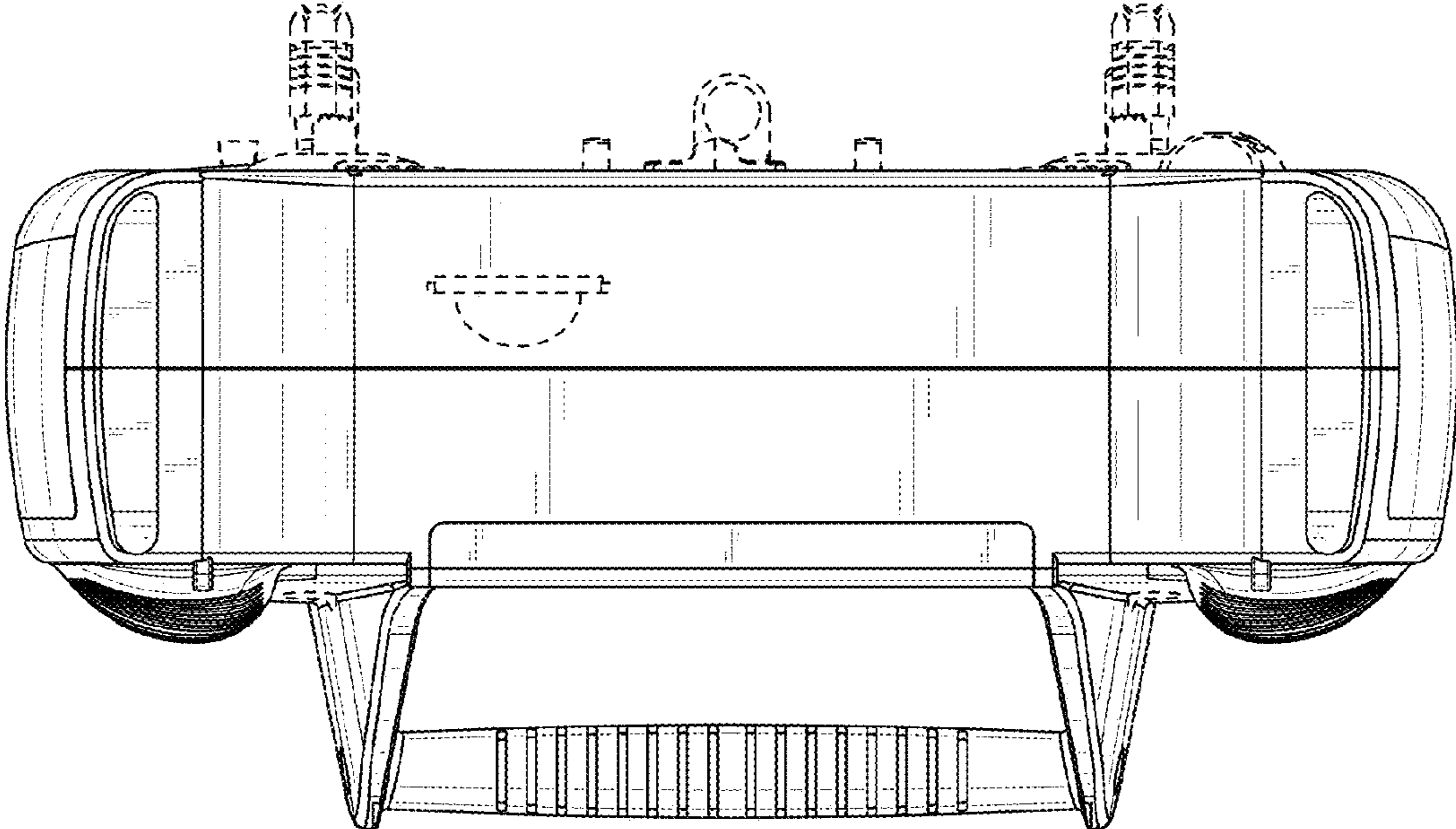


FIG. 7