

US00D740707S

(12) **United States Design Patent**  
**Daniel**

(10) **Patent No.:** **US D740,707 S**  
(45) **Date of Patent:** **\*\* Oct. 13, 2015**

(54) **WEARABLE COMMUNICATION DEVICE**

**DESCRIPTION**

- (71) Applicant: **Isaac S. Daniel**, Miramar, FL (US)
- (72) Inventor: **Isaac S. Daniel**, Miramar, FL (US)
- (\*\*) Term: **14 Years**
- (21) Appl. No.: **29/451,953**
- (22) Filed: **Apr. 10, 2013**
- (51) **LOC (10) Cl.** ..... **10-05**
- (52) **U.S. Cl.**  
USPC ..... **D10/104.1**
- (58) **Field of Classification Search**  
USPC ..... D10/121, 104.1; D12/92; D21/550  
CPC ..... A63H 17/00  
See application file for complete search history.

(56) **References Cited**

U.S. PATENT DOCUMENTS

6,757,390	B2 *	6/2004	Ito et al.	379/433.1
7,116,940	B2 *	10/2006	Dvorak	455/66.1
D573,510	S *	7/2008	Pininfarina	D12/92
D593,001	S *	5/2009	Crijns	D12/92
D665,307	S *	8/2012	Casoni	D12/92
D667,509	S *	9/2012	Mimlitch et al.	D21/550
8,545,285	B2 *	10/2013	Fernandes	446/470
D700,544	S *	3/2014	Ramaciotti	D12/92
2007/0190895	A1 *	8/2007	Norman	446/409
2014/0094320	A1 *	4/2014	Johnson et al.	463/43

\* cited by examiner

*Primary Examiner* — George D Kirschbaum

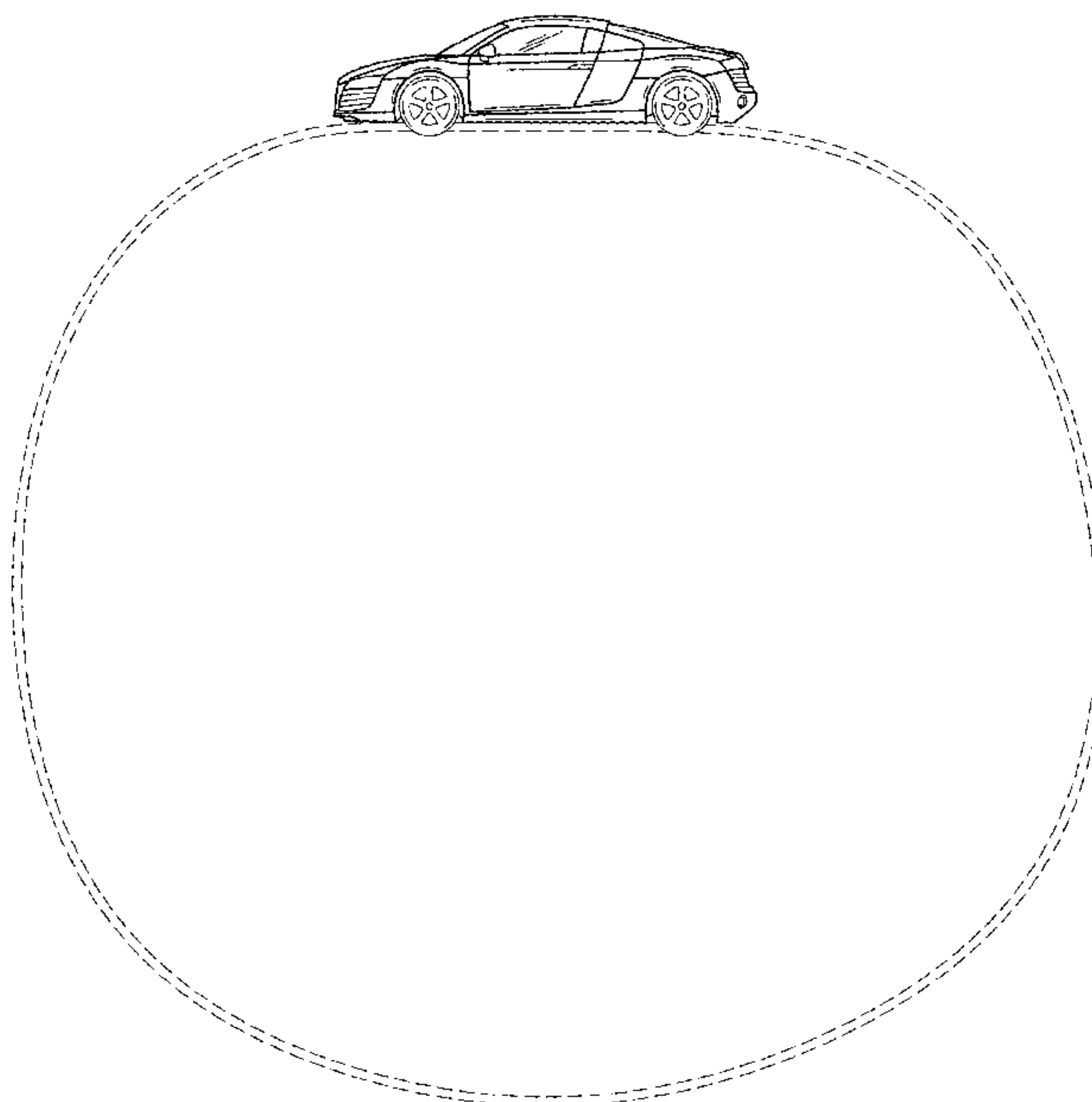
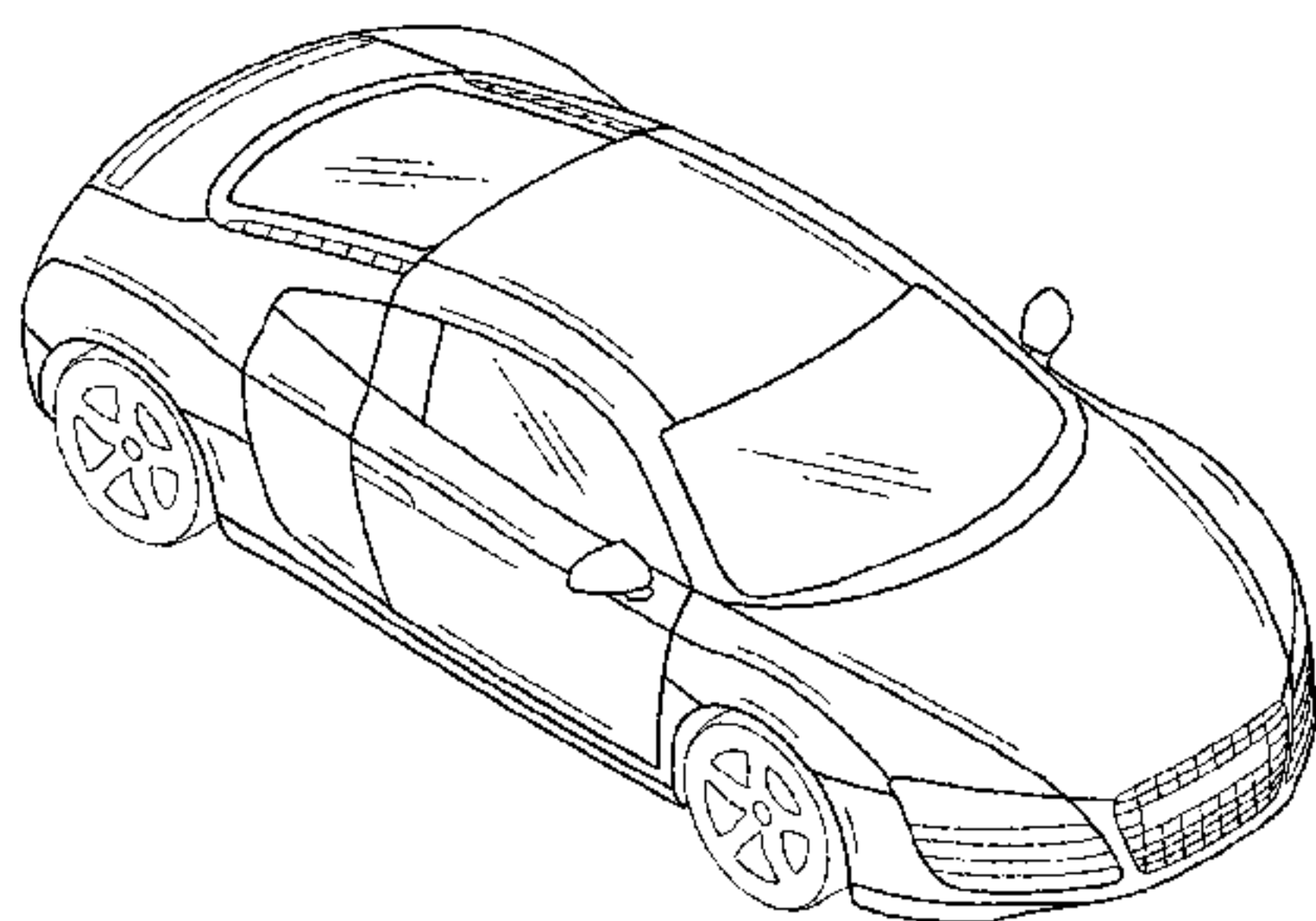
(74) *Attorney, Agent, or Firm* — Carol N. Green Kaul, Esq.

(57) **CLAIM**

The ornamental design for a wearable communication device, as shown and described.

FIG. 1 is a top perspective view of the wearable communication device.  
 FIG. 2 is a bottom perspective view of the wearable communication device.  
 FIG. 3 is a right side perspective view of the wearable communication device.  
 FIG. 4 is a top plan view of the wearable communication device.  
 FIG. 5 is a bottom plan view of the wearable communication device.  
 FIG. 6 is a front perspective view of the wearable communication device.  
 FIG. 7 is a rear perspective view of the wearable communication device.  
 FIG. 8 is a top perspective view of the wearable communication device as attached to a belt.  
 FIG. 9 is a bottom perspective view of the wearable communication device as attached to a belt.  
 FIG. 10 is a right side perspective view of the wearable communication device as attached to a belt.  
 FIG. 11 is a top plan view of the wearable communication device as attached to a belt.  
 FIG. 12 is a bottom plan view of the wearable communication device as attached to a belt.  
 FIG. 13 is a front view of the wearable communication device as attached to a belt; and,  
 FIG. 14 is a rear view of the wearable communication device as attached to a belt.  
 The broken line showing of a belt is included for the purpose of illustrating portions of the “article” and forms no part of the claimed design.

**1 Claim, 8 Drawing Sheets**



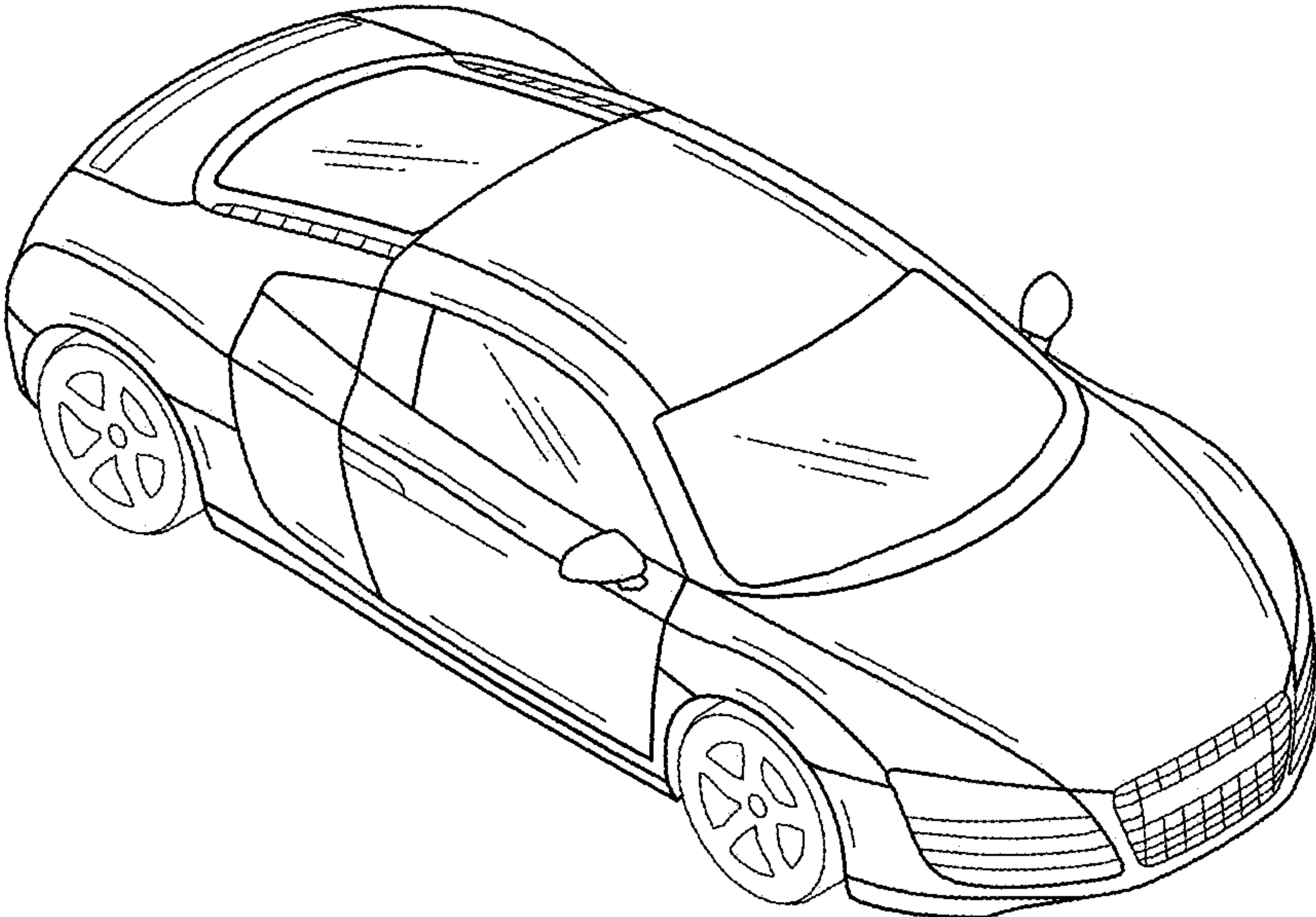


FIG. 1

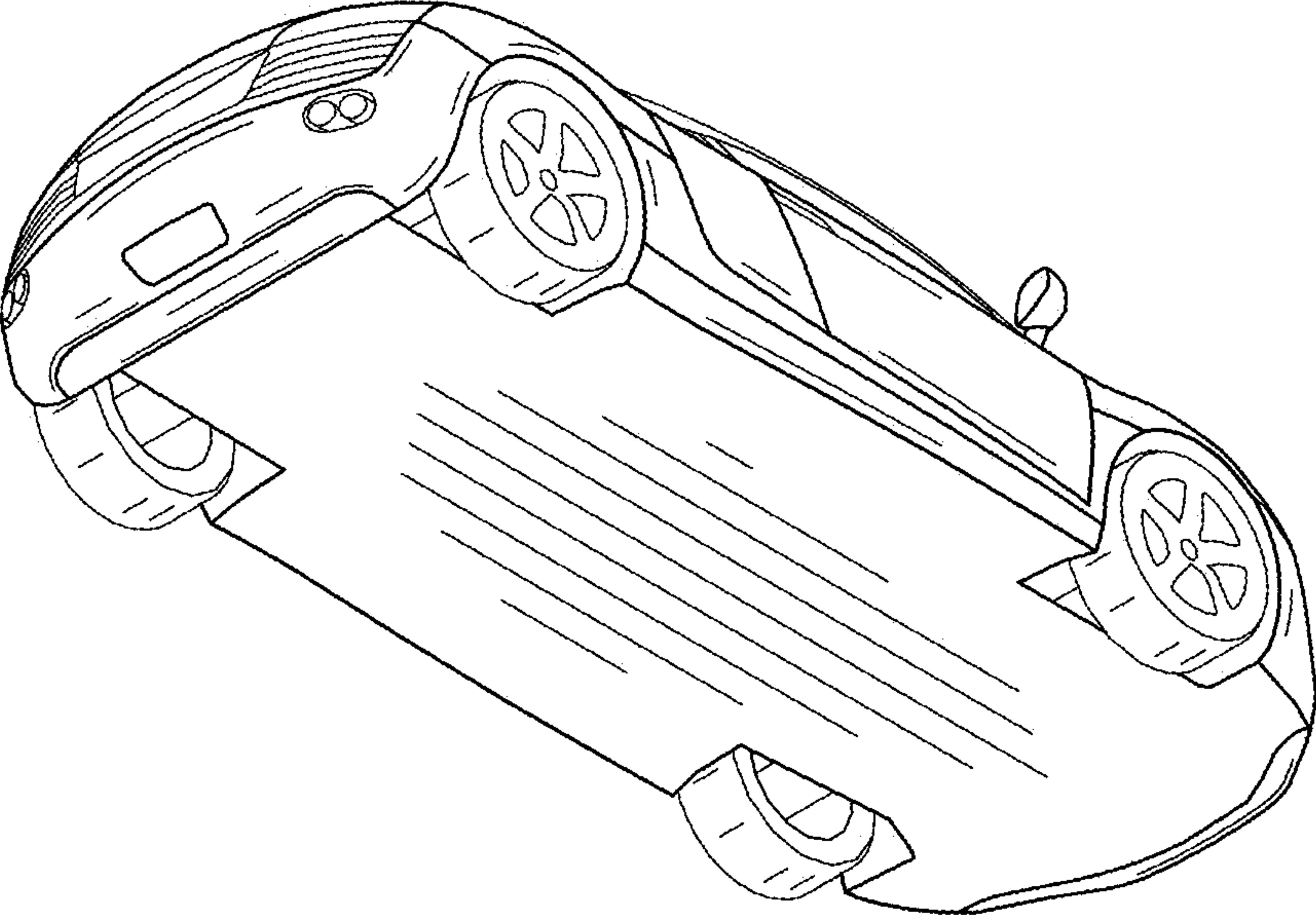


FIG. 2

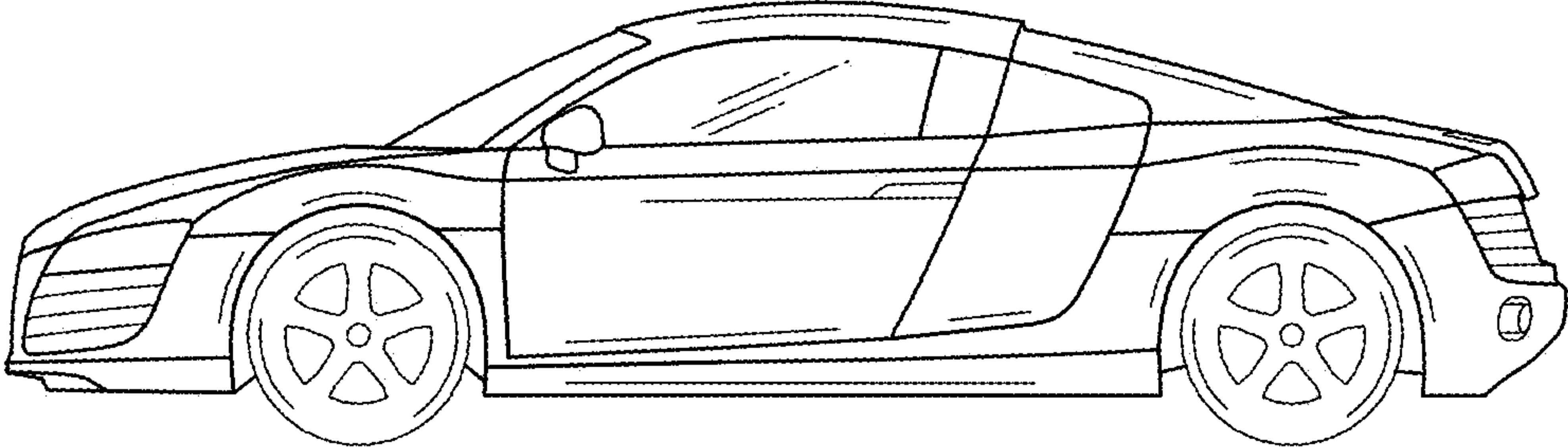


FIG. 3

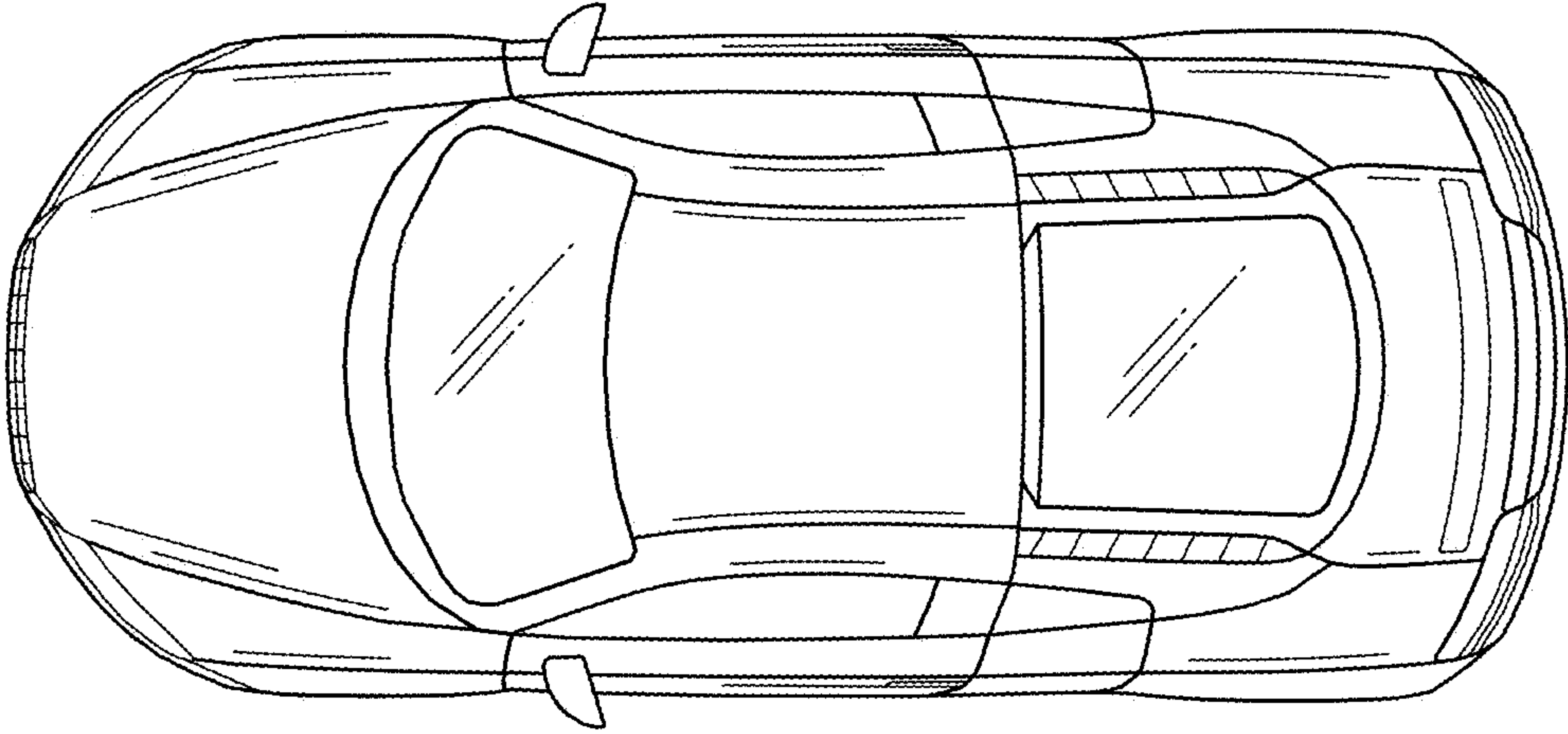


FIG. 4



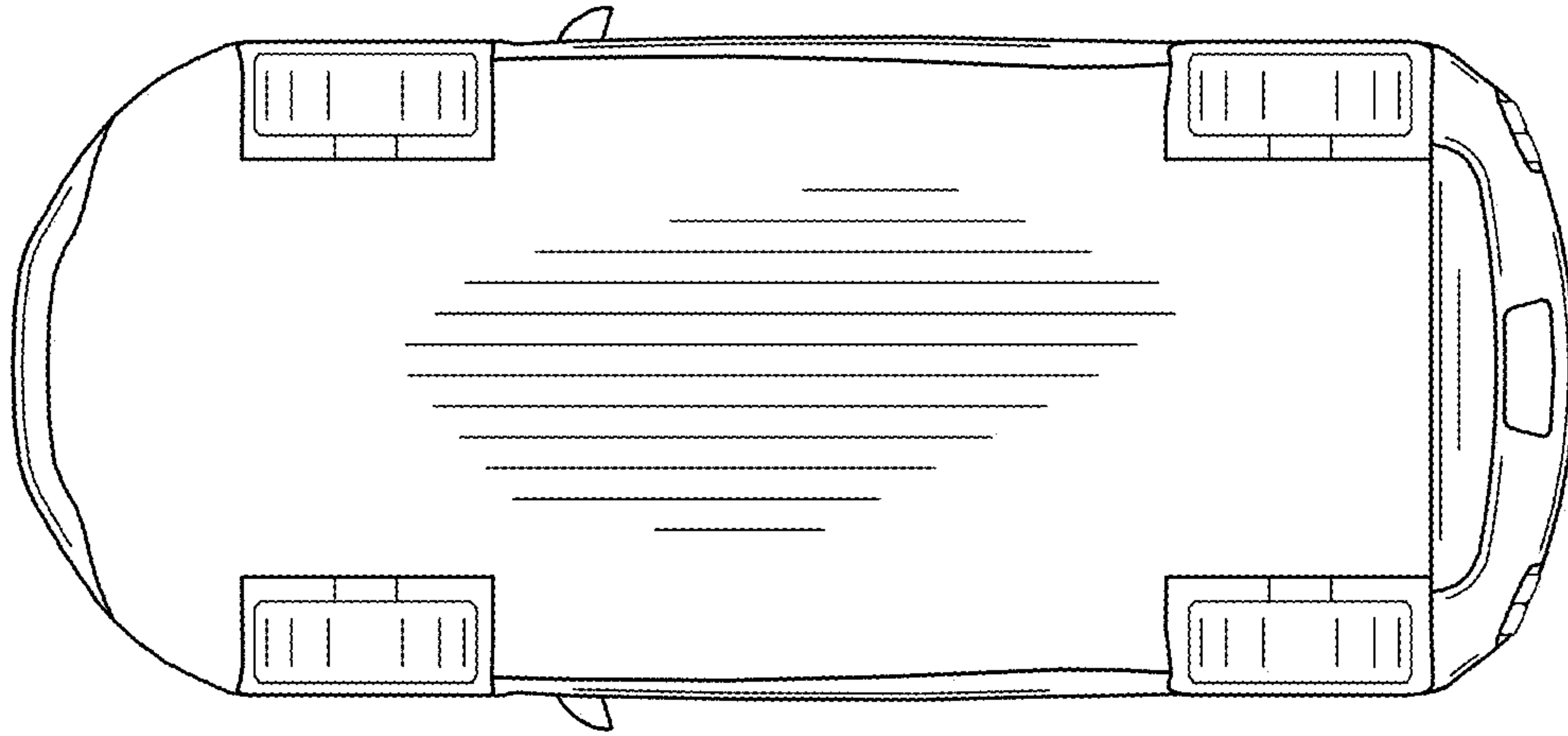


FIG. 5

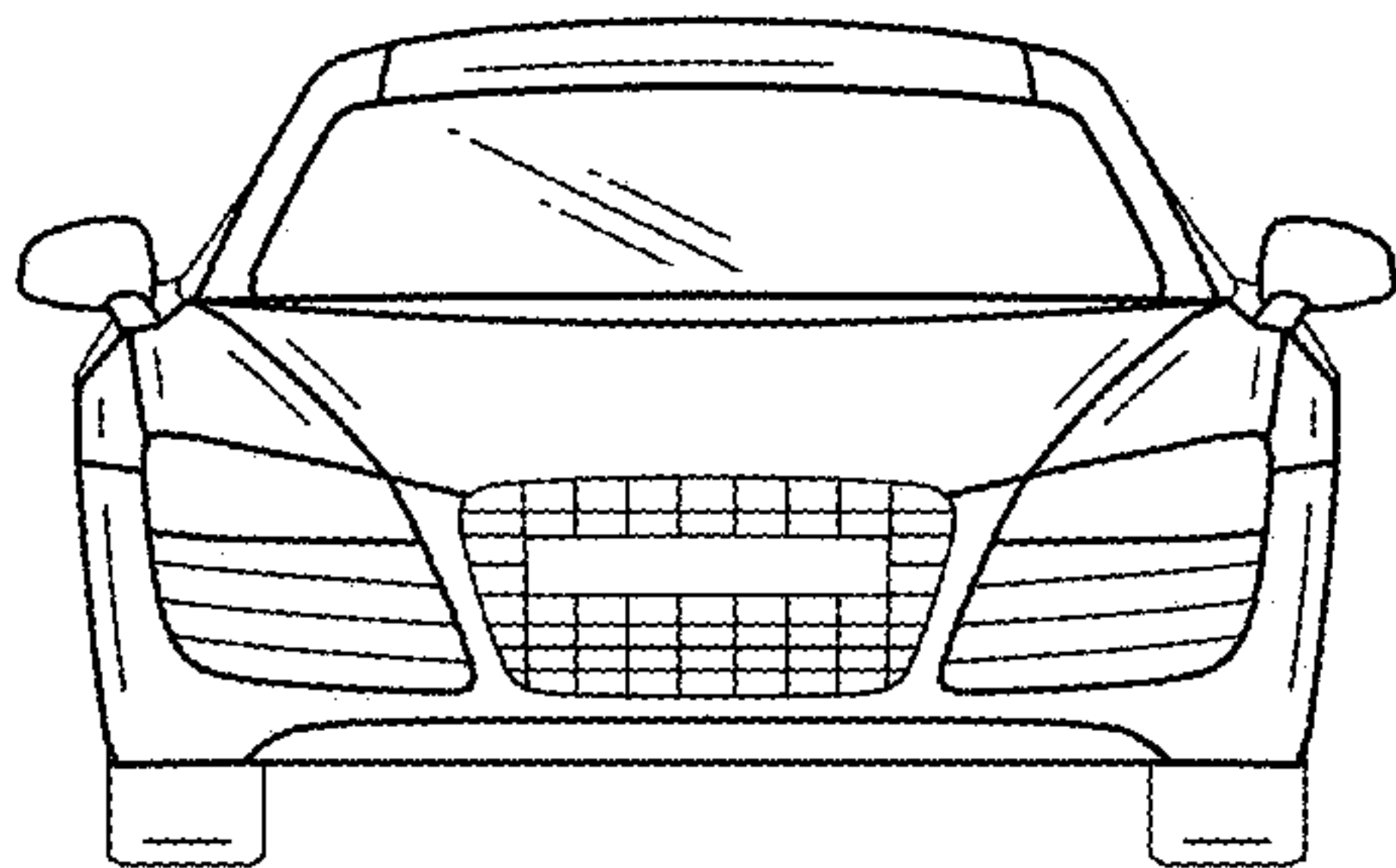


FIG. 6

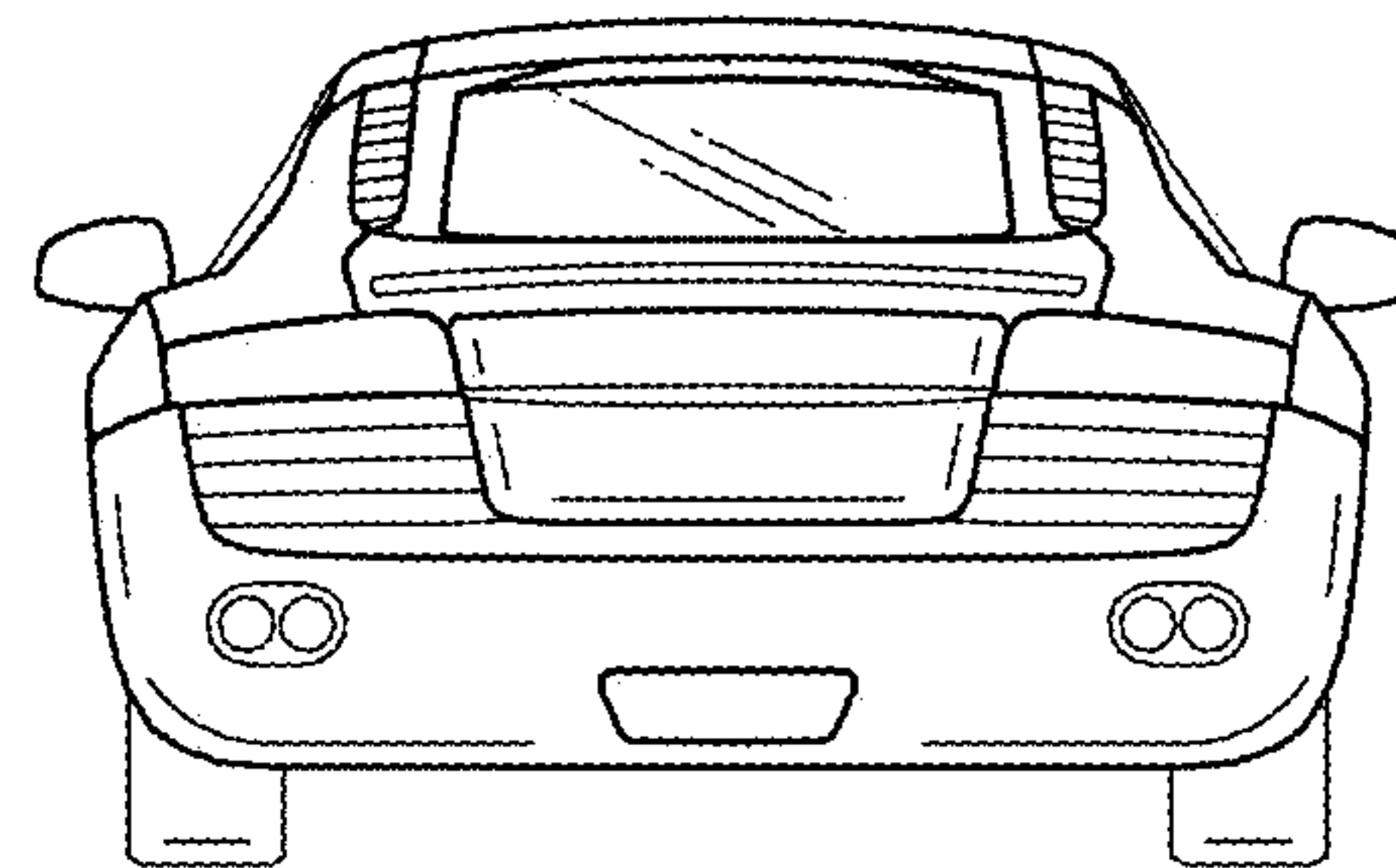


FIG. 7

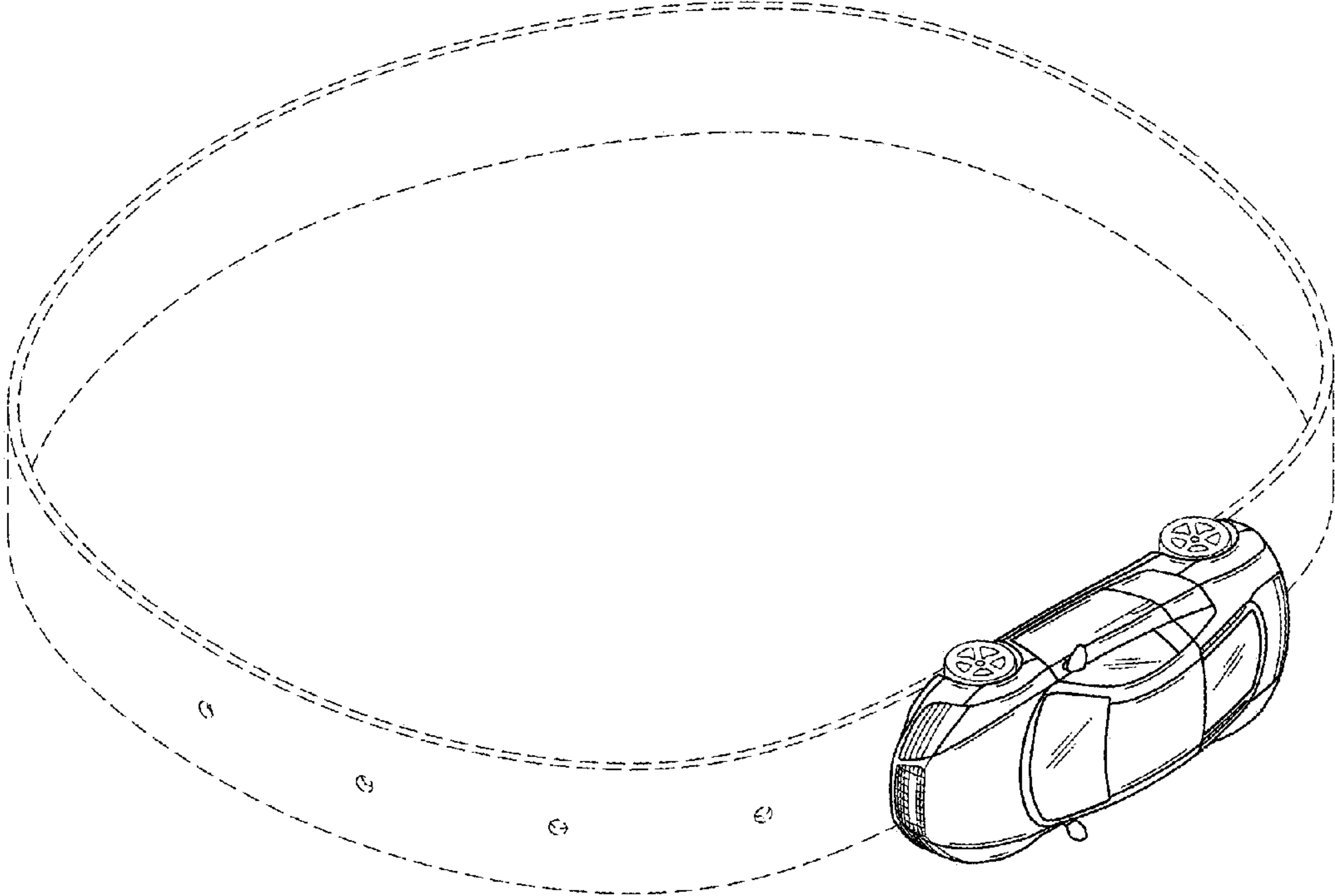


FIG. 8

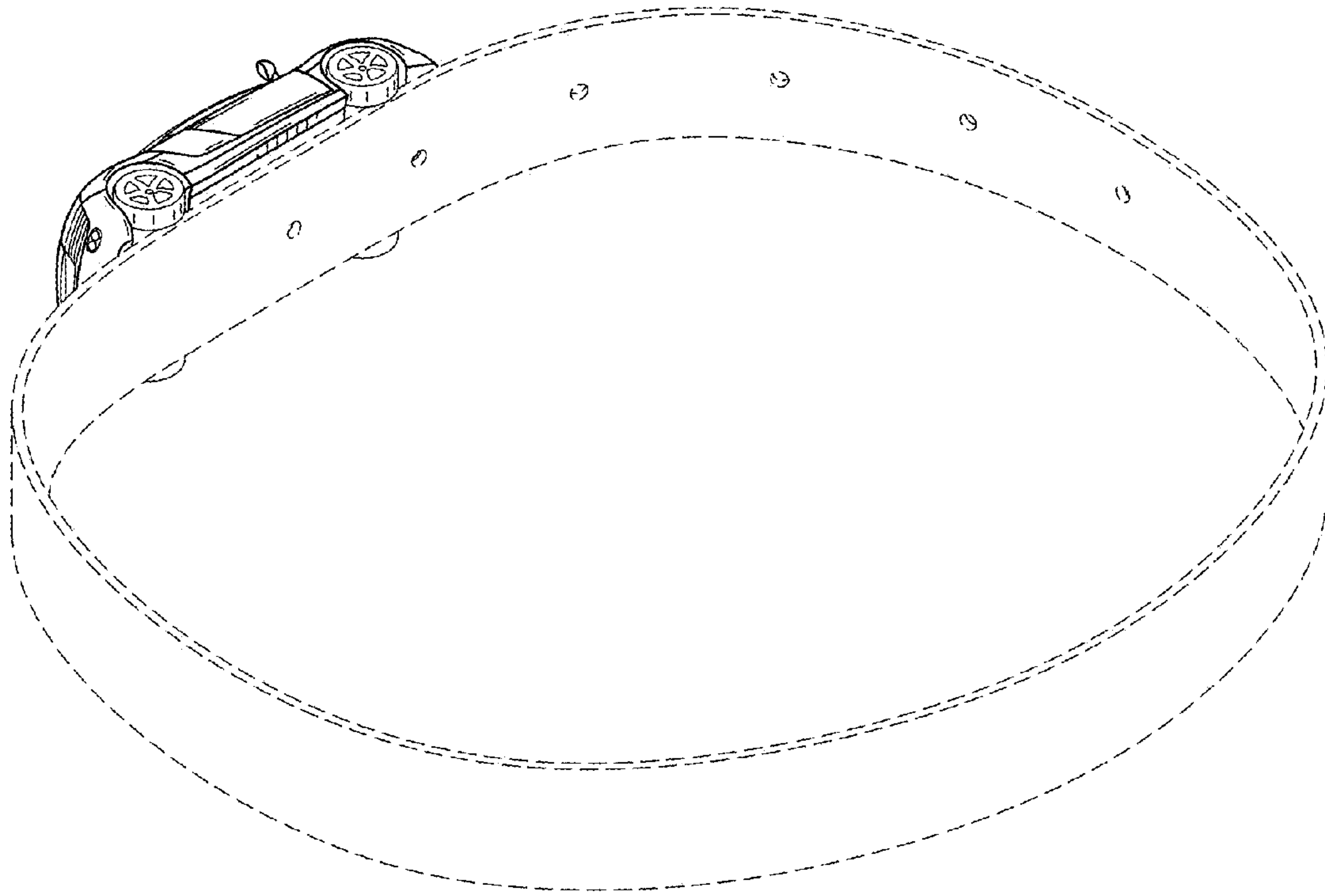


FIG. 9

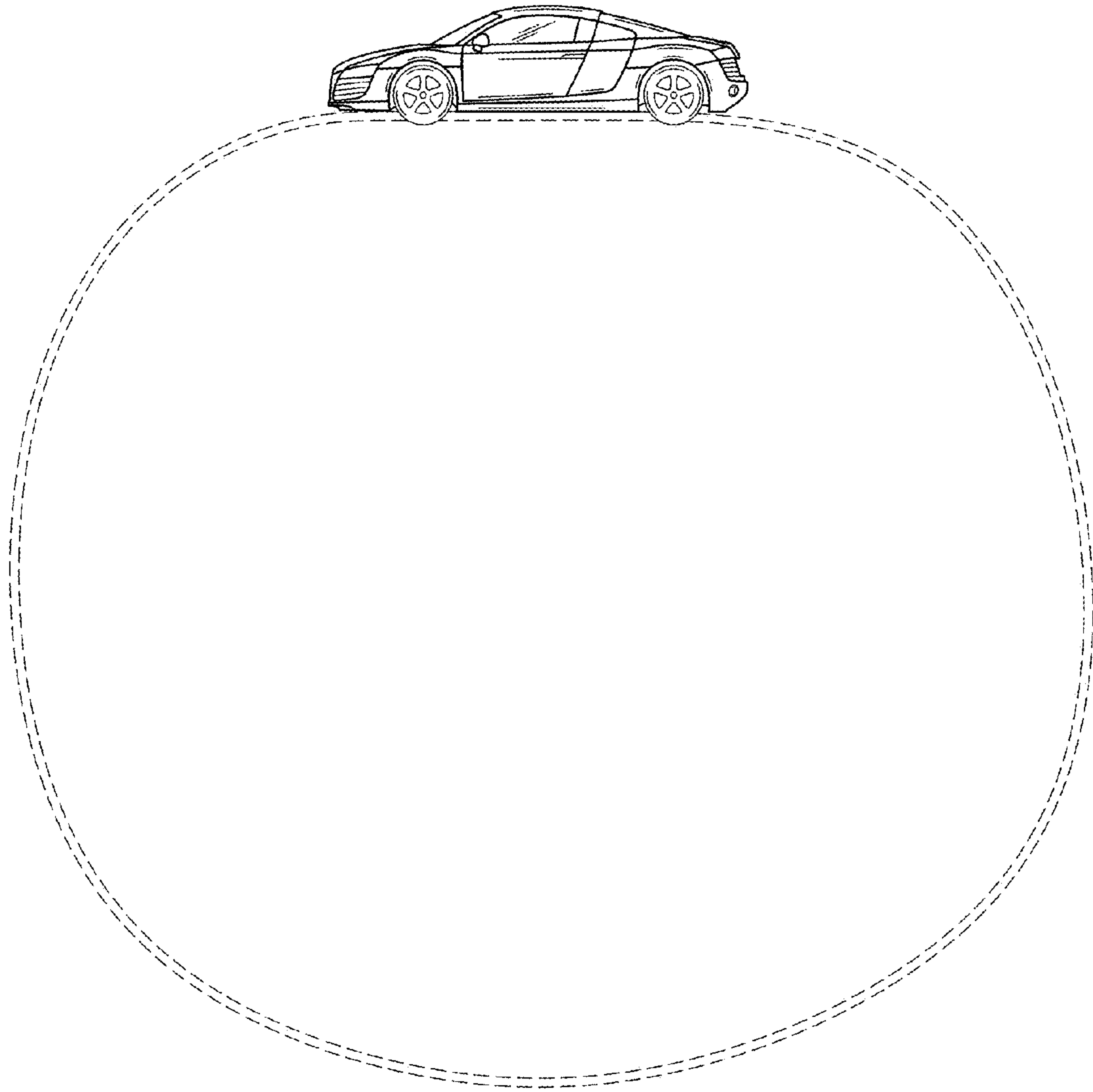


FIG. 10

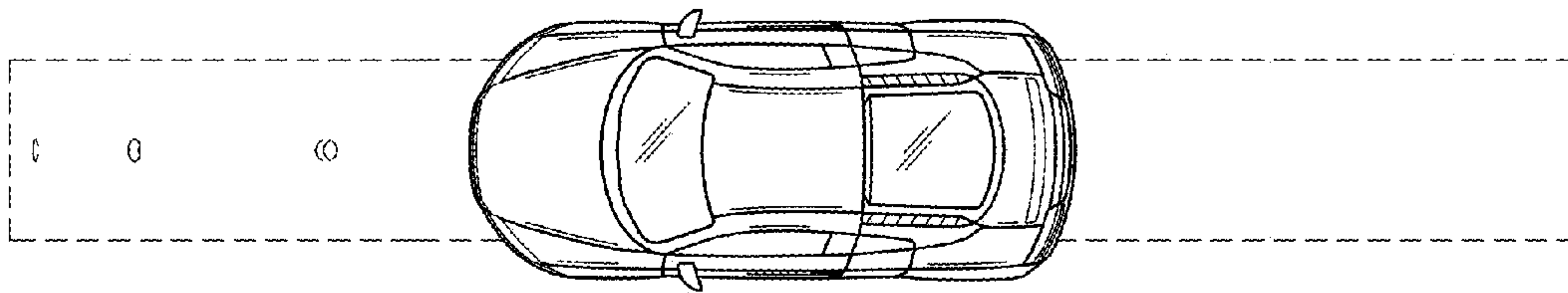


FIG. 11

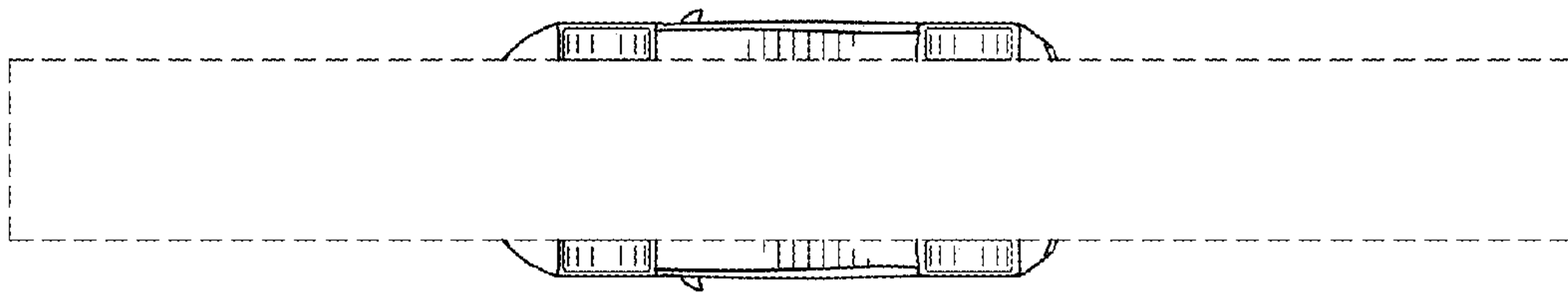


FIG. 12



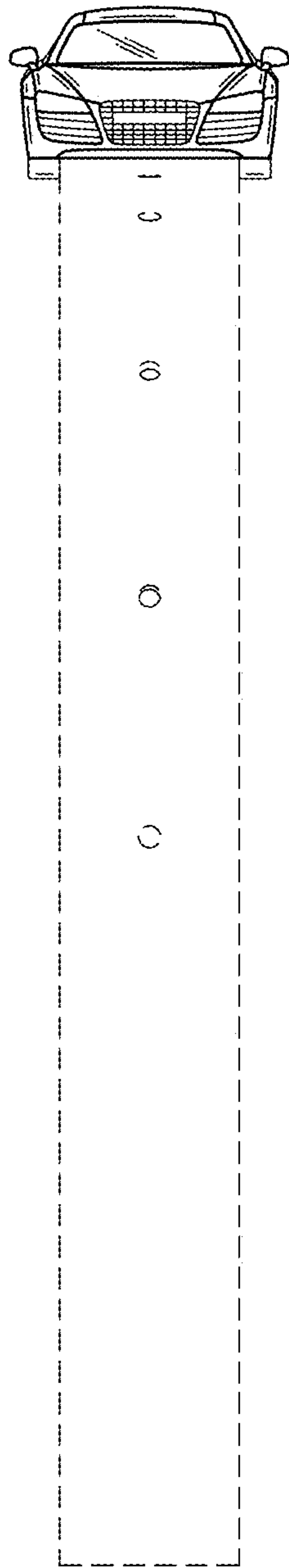


FIG. 13

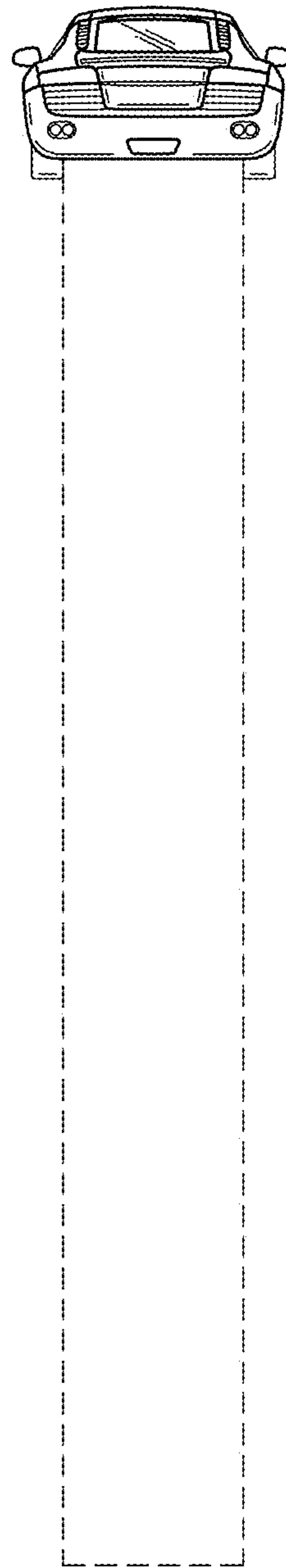


FIG. 14