



US00D740701S

(12) **United States Design Patent**
Schulze

(10) **Patent No.:** **US D740,701 S**
(45) **Date of Patent:** **** Oct. 13, 2015**

(54) **HOUSING FOR TRAFFIC MEASURING
DEVICE WITH SUN VISOR**

(56) **References Cited**

(71) Applicant: **VITRONIC Dr.-Ing. Stein**
Bildverarbeitungssysteme GmbH,
Wiesbaden (DE)

U.S. PATENT DOCUMENTS

8,363,927 B2 * 1/2013 Rutschmann et al. 382/154
8,848,035 B2 * 9/2014 Alexander 348/42
D727,387 S * 4/2015 Hasegawa et al. D16/203
D727,991 S * 4/2015 Hasegawa et al. D16/203

(72) Inventor: **Andreas Schulze,** Limburg an der Lahn
(DE)

FOREIGN PATENT DOCUMENTS

(73) Assignee: **VITRONIC Dr.-Ing. Stein**
Bildverarbeitungssysteme GmbH,
Wiesbaden (DE)

EM 0021558200002 12/2012

* cited by examiner

(**) Term: **14 Years**

Primary Examiner — Antoine D Davis

(74) *Attorney, Agent, or Firm* — The Webb Law Firm

(21) Appl. No.: **29/502,808**

(22) Filed: **Sep. 19, 2014**

(57) **CLAIM**

The ornamental design for a housing for traffic measuring device with sun visor, as shown and described.

(30) **Foreign Application Priority Data**

Mar. 20, 2014 (EM) 002428896-0002

(51) **LOC (10) Cl.** **10-04**

(52) **U.S. Cl.**
USPC **D10/70**

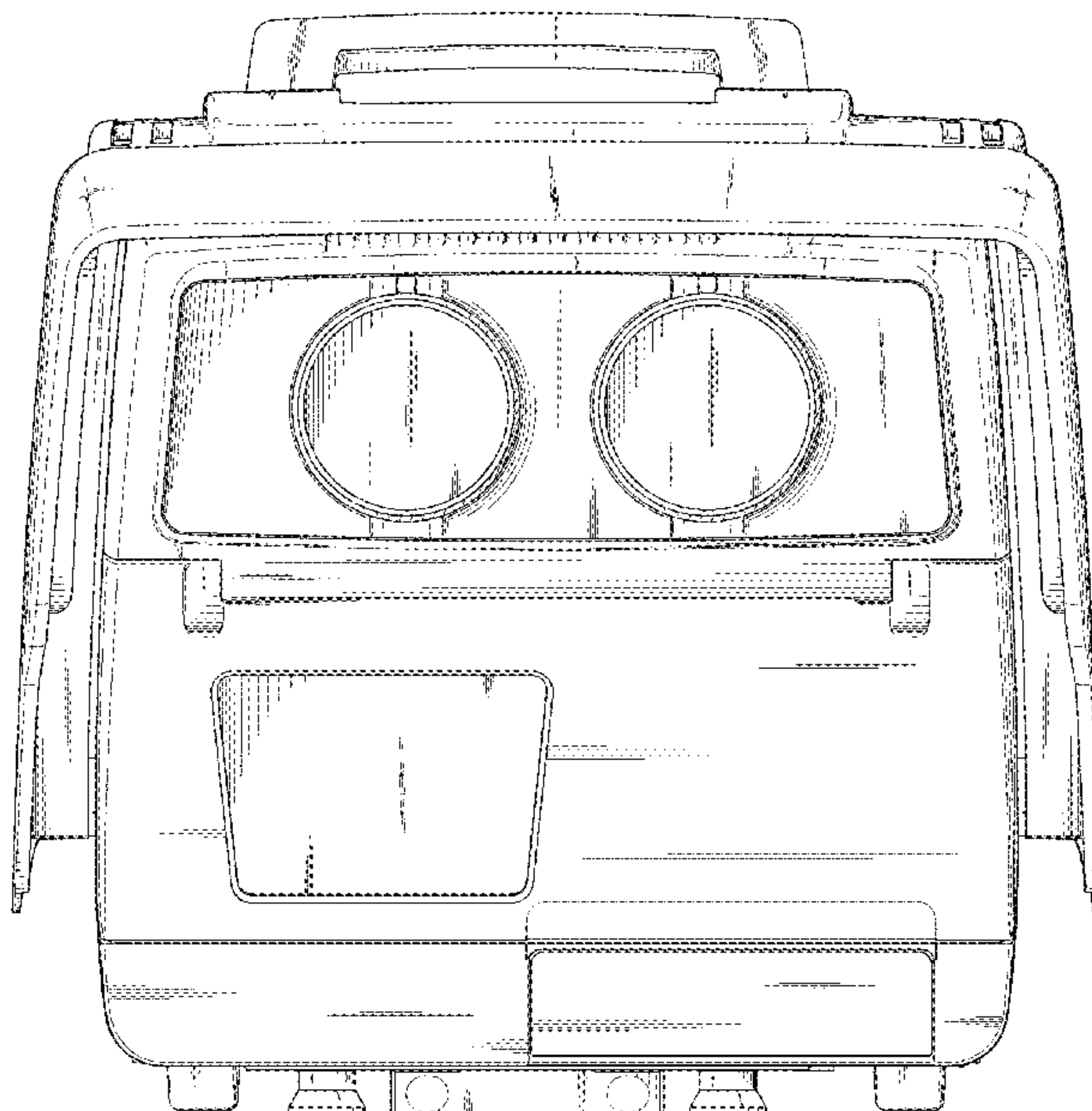
(58) **Field of Classification Search**
USPC D10/70, 104.1; D16/200, 203
CPC .. G08C 1/01-1/065; G06K 9/20; G06K 9/22;
G06K 9/209; G06K 9/222; G06K 9/224;
G06K 9/228; G06K 2009/226; G06K 2209/15;
G06K 2209/23; G06K 2209/40; G01S
17/02-17/875; G01C 15/002; G01C 15/006;
H04M 3/22

See application file for complete search history.

DESCRIPTION

FIG. 1 is a front view of a housing for traffic measuring device with sun visor, showing my new design;
FIG. 2 is a right side view thereof;
FIG. 3 is a top view thereof;
FIG. 4 is an upper left rear perspective view thereof; and,
FIG. 5 is an upper right front perspective view thereof.
A left side view of the housing for traffic measuring device with sun visor is omitted as it is symmetric in appearance to the right side view of FIG. 2.

1 Claim, 5 Drawing Sheets



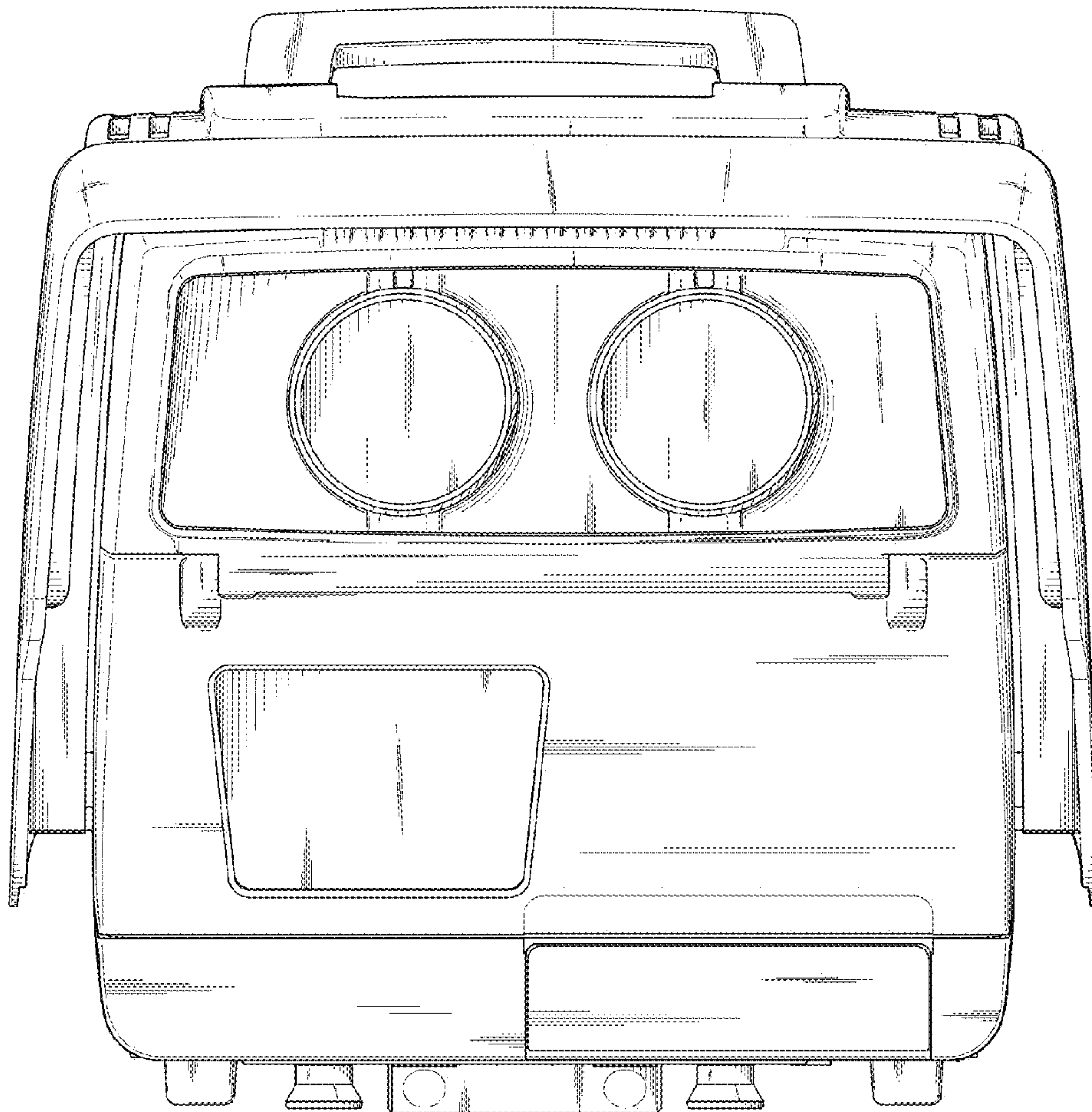


FIG. 1

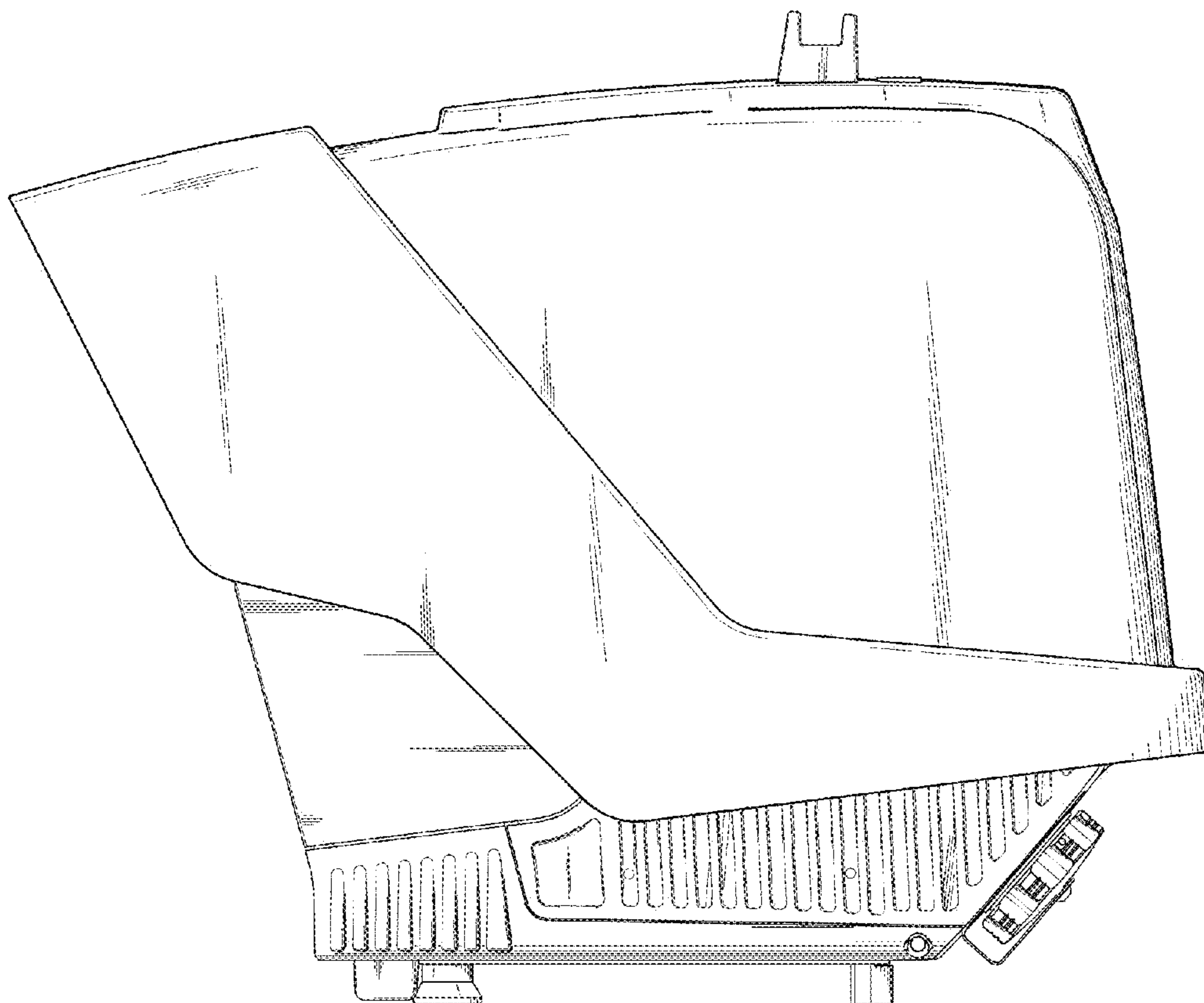


FIG. 2

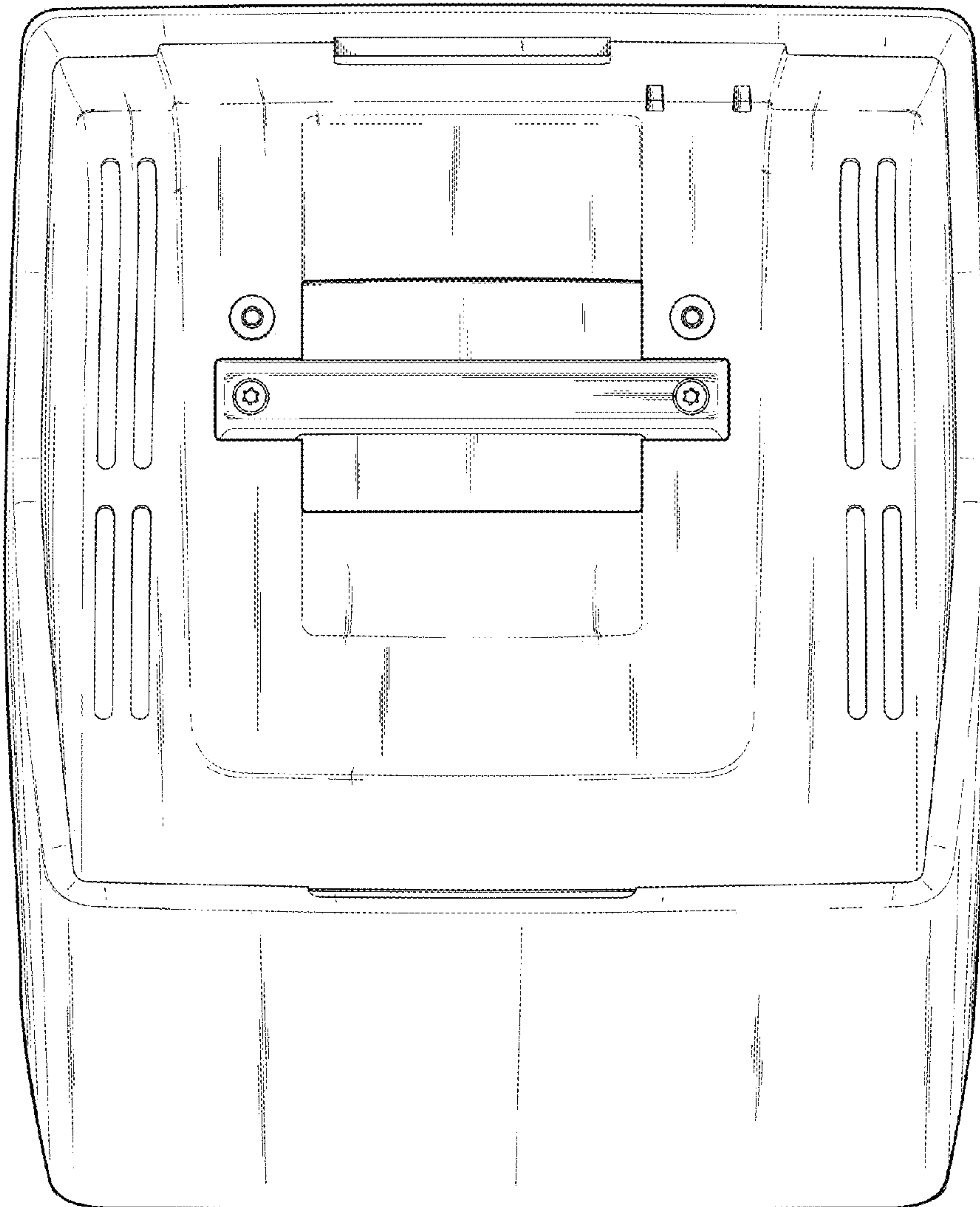


FIG. 3

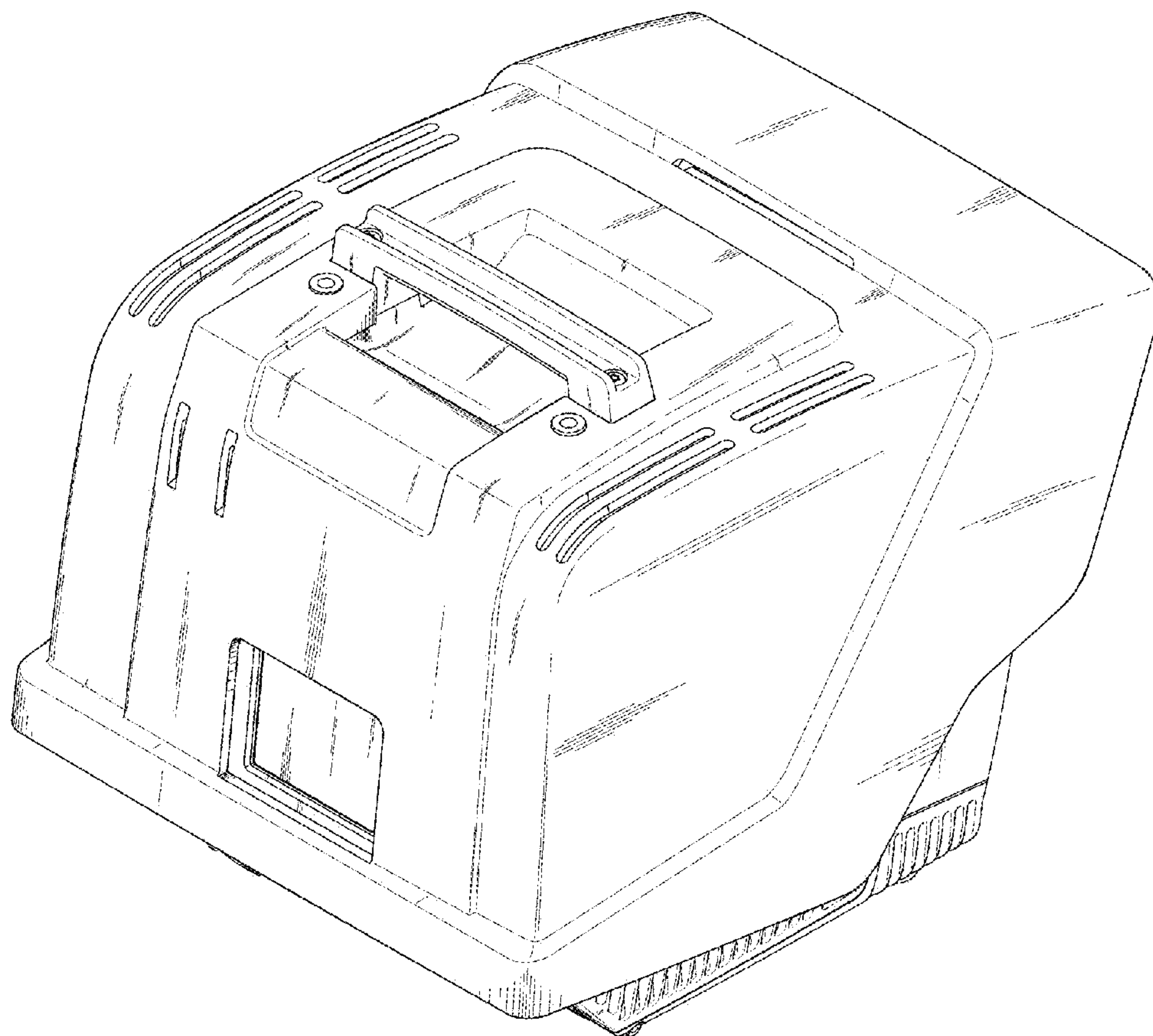


FIG. 4

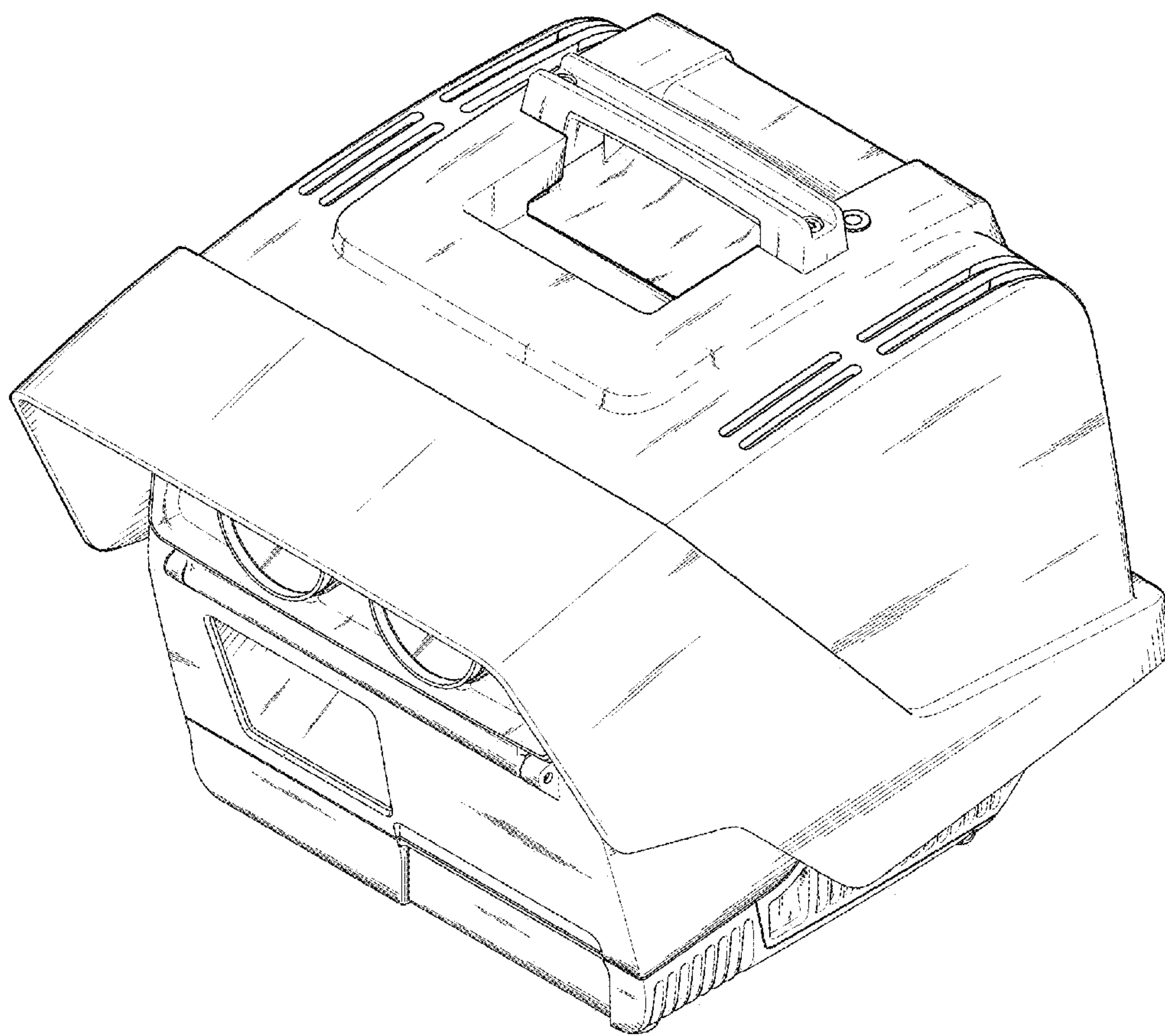


FIG. 5