



US00D740699S

(12) **United States Design Patent**
Guyot

(10) **Patent No.:** **US D740,699 S**

(45) **Date of Patent:** **** Oct. 13, 2015**

(54) **MARINE COMPASS**

(71) Applicant: **PLASTIMO**, Lorient (FR)

(72) Inventor: **Daniel Guyot**, Lanester (FR)

(73) Assignee: **PLASTIMO**, Lorient (FR)

(**) Term: **14 Years**

(21) Appl. No.: **29/491,415**

(22) Filed: **May 21, 2014**

(30) **Foreign Application Priority Data**

Jan. 30, 2014 (EM) 002395483

(51) **LOC (10) Cl.** **10-04**

(52) **U.S. Cl.**

USPC **D10/68**

(58) **Field of Classification Search**

USPC D10/68

CPC B60C 23/0408; B60C 23/0494; G01L 7/043;

G01L 7/00-7/24; G01L 13/00-13/06; G01L

15/00; G01L 17/00-17/005; G01L

19/00-19/16; G01L 23/00-23/32; G01L

27/00-23/02

See application file for complete search history.

(56) **References Cited**

U.S. PATENT DOCUMENTS

3,353,440	A *	11/1967	Benford	356/142
D427,531	S *	7/2000	Hartmann et al.	D10/68
D435,467	S *	12/2000	Batchelder	D10/68
D470,779	S *	2/2003	Chang	D10/68

* cited by examiner

Primary Examiner — Antoine D Davis

(74) *Attorney, Agent, or Firm* — Stephen J. Weyer, Esq.;
Stites & Harbison, PLLC.

(57) **CLAIM**

The ornamental design for a marine compass, as shown and described.

DESCRIPTION

FIG. 1 is a perspective view taken from the top, front, and left side of the marine compass of the present invention in its closed configuration.

FIG. 2 is a front elevation view of the marine compass of FIG. 1.

FIG. 3 is a rear elevation view of the marine compass of FIG. 1.

FIG. 4 is a left side elevation view of the marine compass of FIG. 1, the opposite side being nearly a mirror image thereof.

FIG. 5 is a top plan view of the marine compass of FIG. 1.

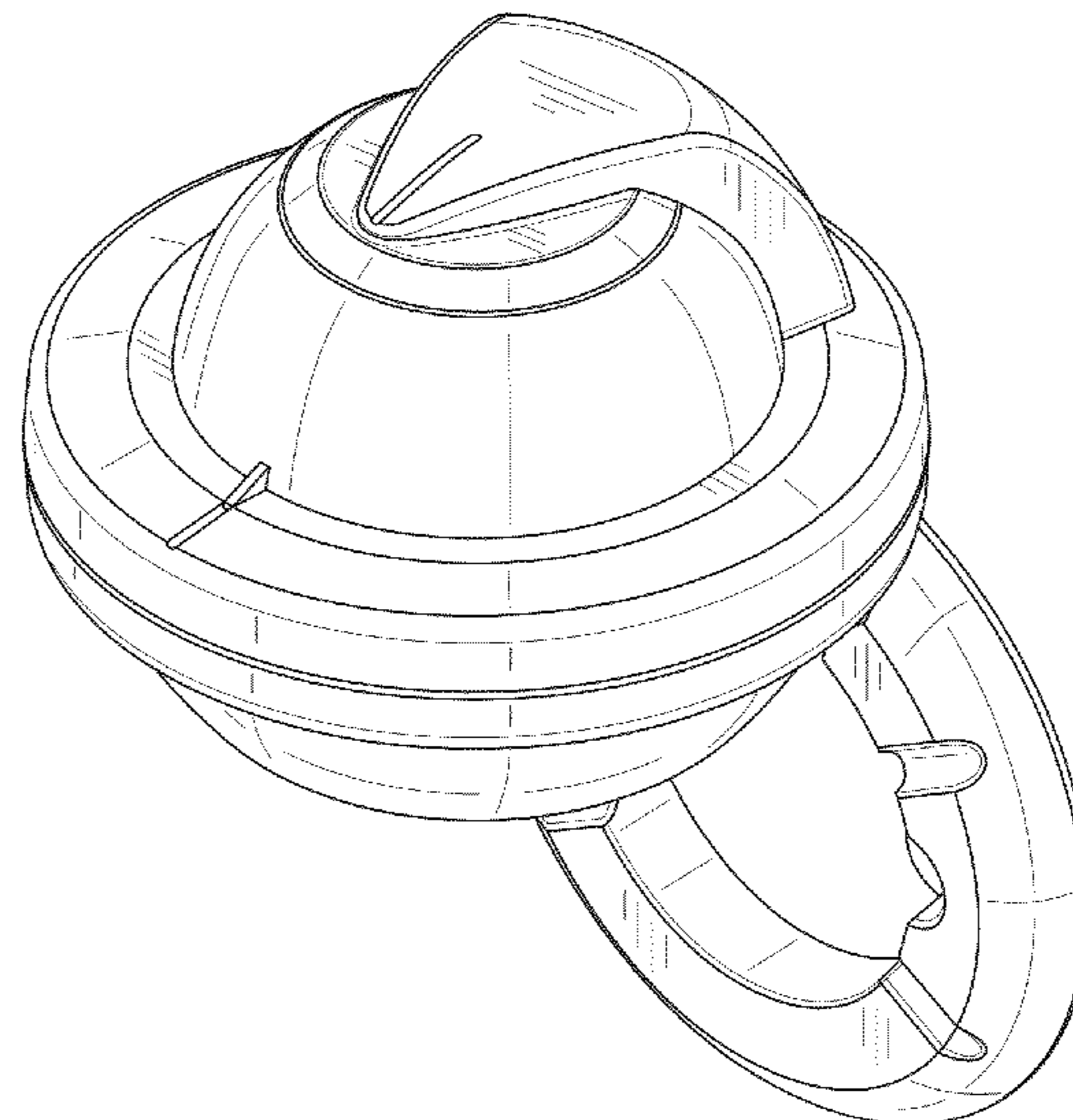
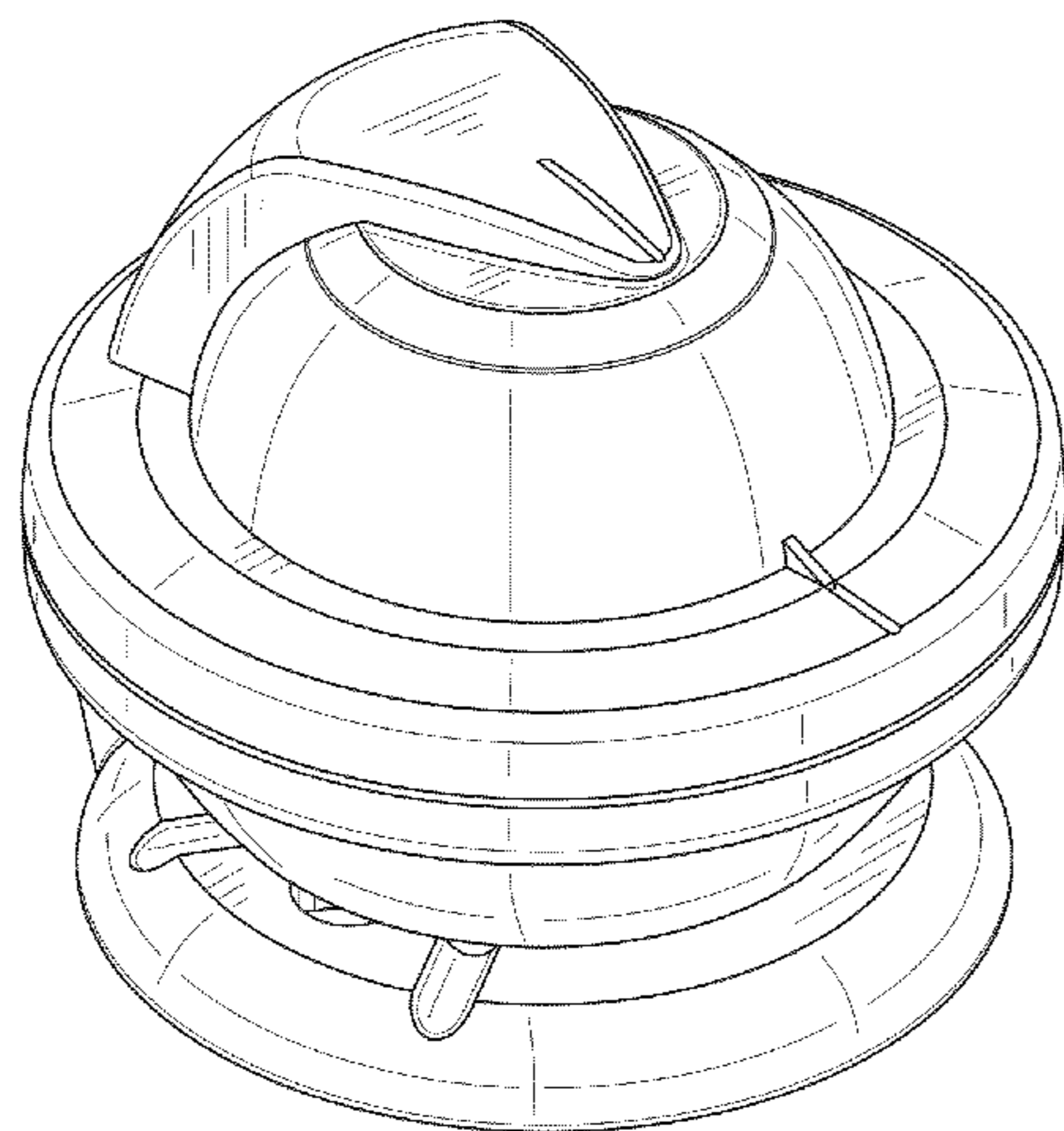
FIG. 6 is a left side elevation view of the marine compass of FIG. 1 shown in its open configuration.

FIG. 7 is a perspective view of the marine compass of FIG. 1 shown in its open configuration.

FIG. 8 is a front elevation view of the marine compass of FIG. 1 shown in its open configuration; and,

FIG. 9 is a rear elevation view of the marine compass of FIG. 1 shown in its open configuration.

1 Claim, 9 Drawing Sheets



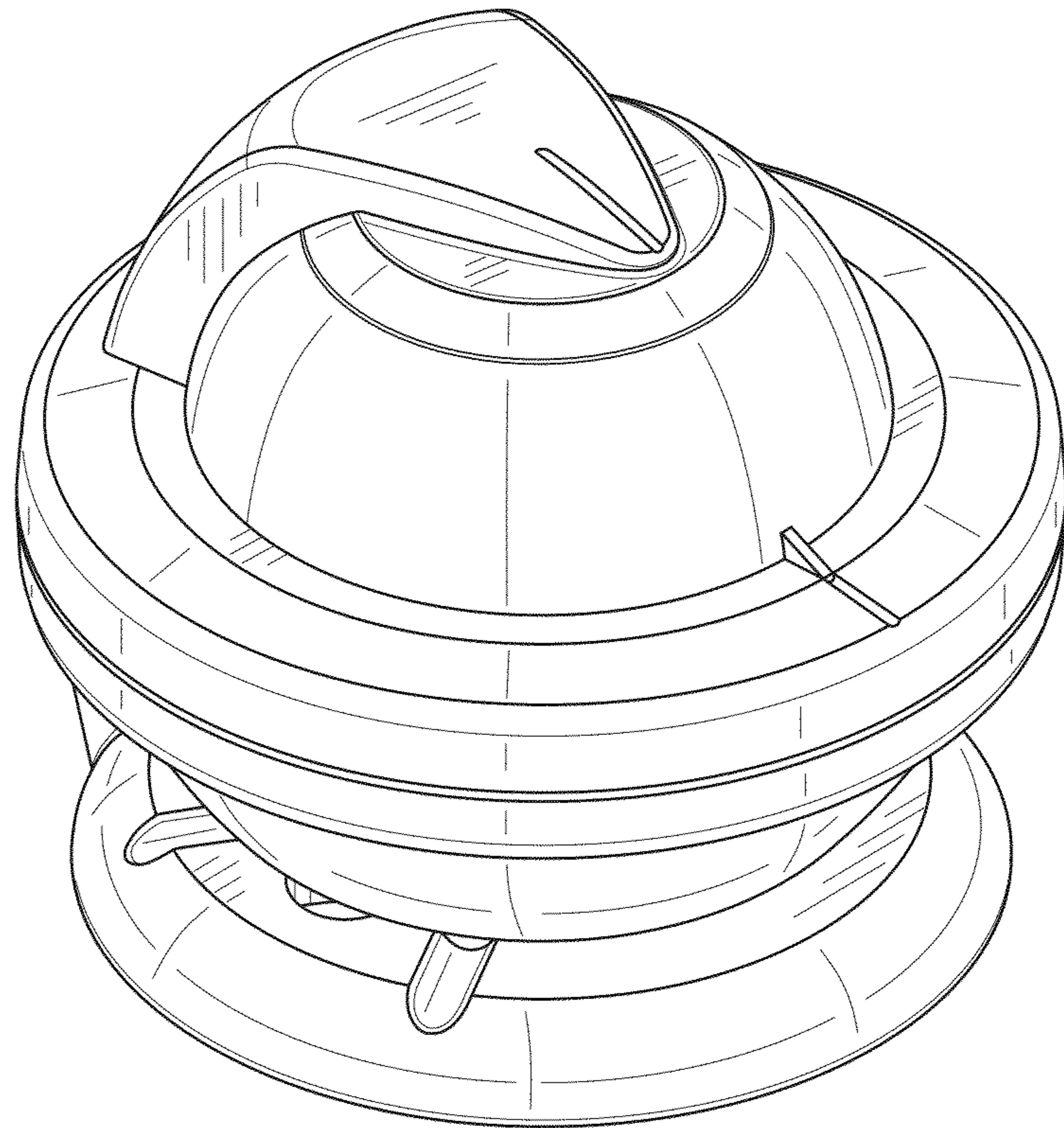


FIG. 1

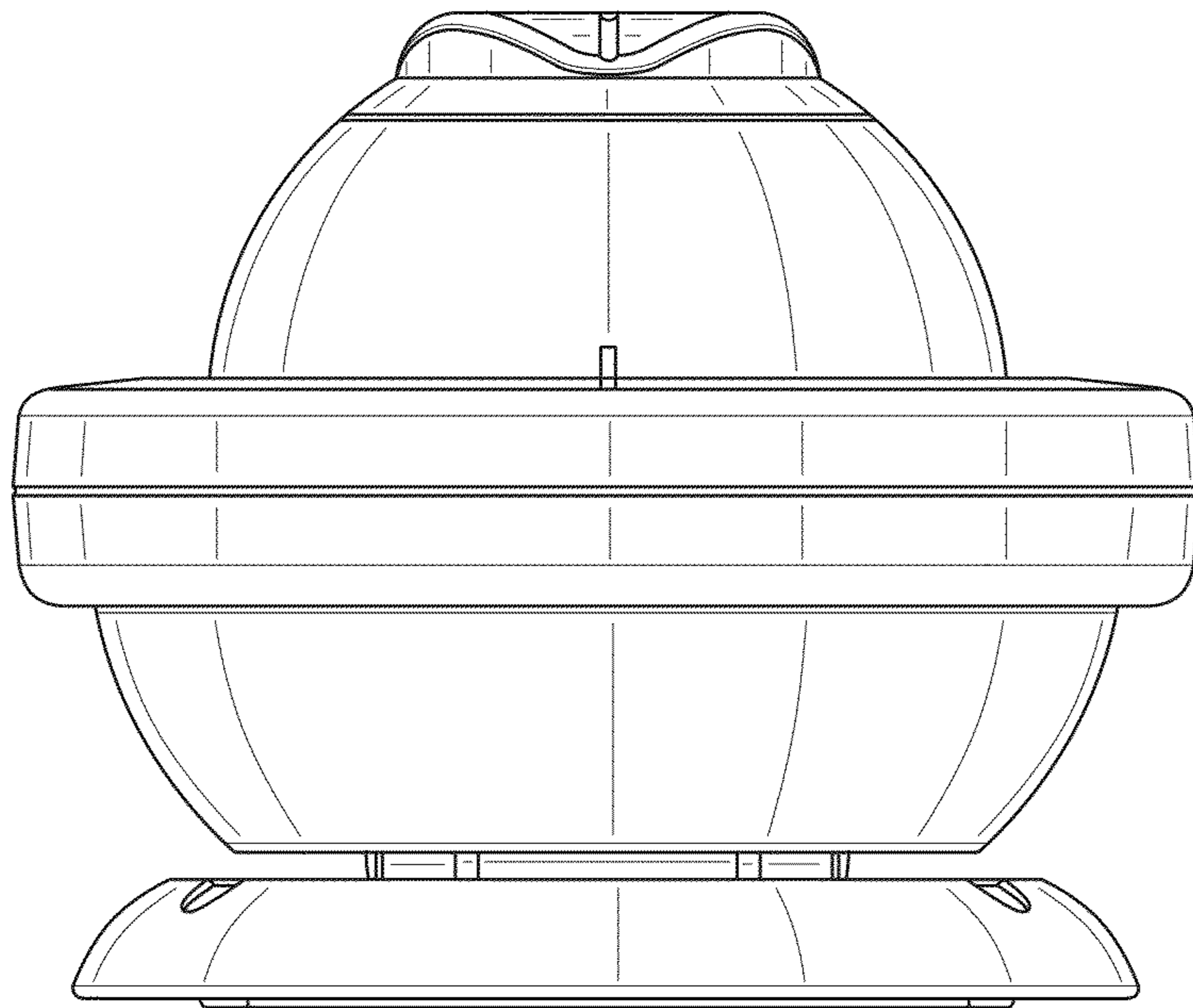


FIG. 2

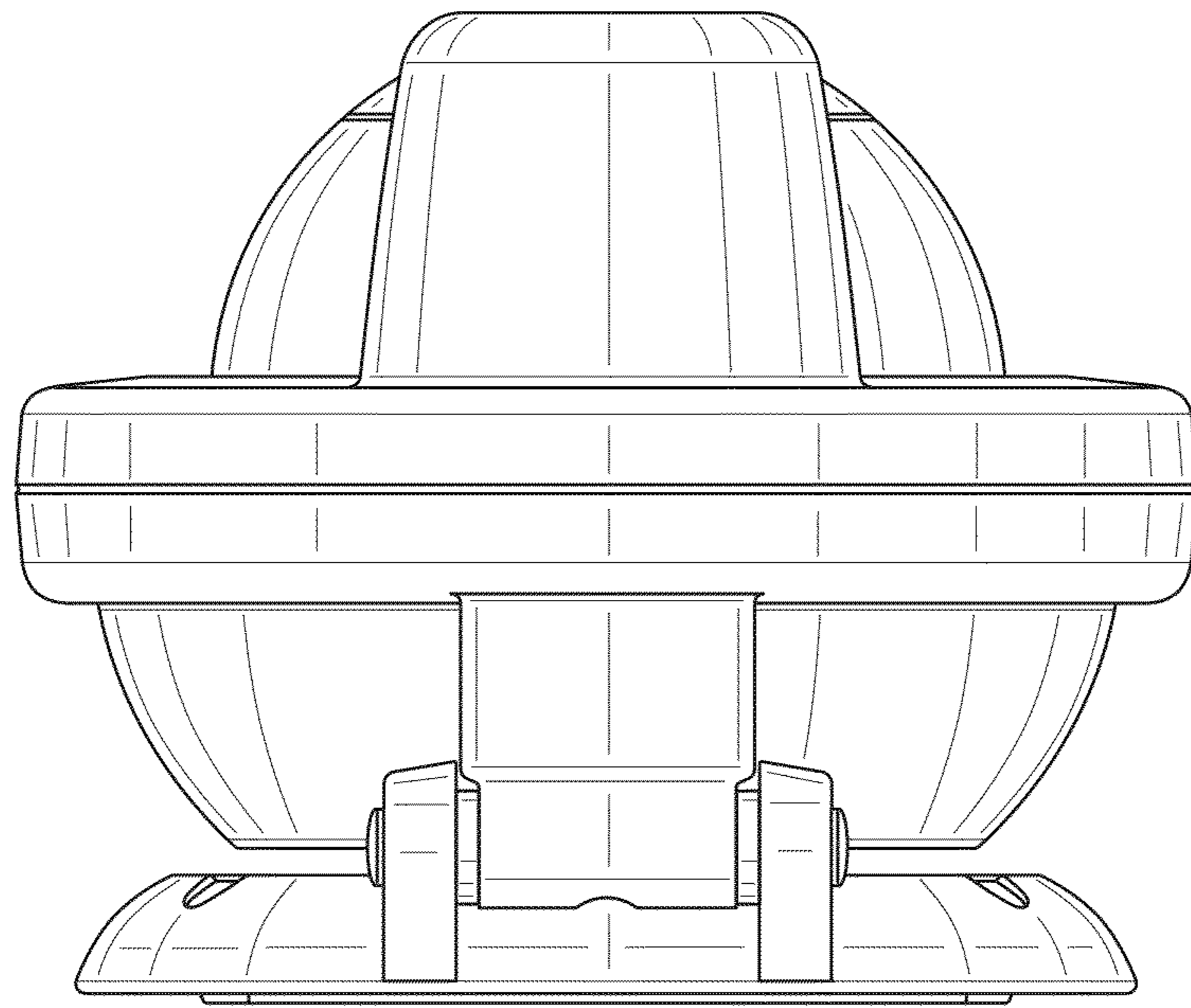


FIG. 3

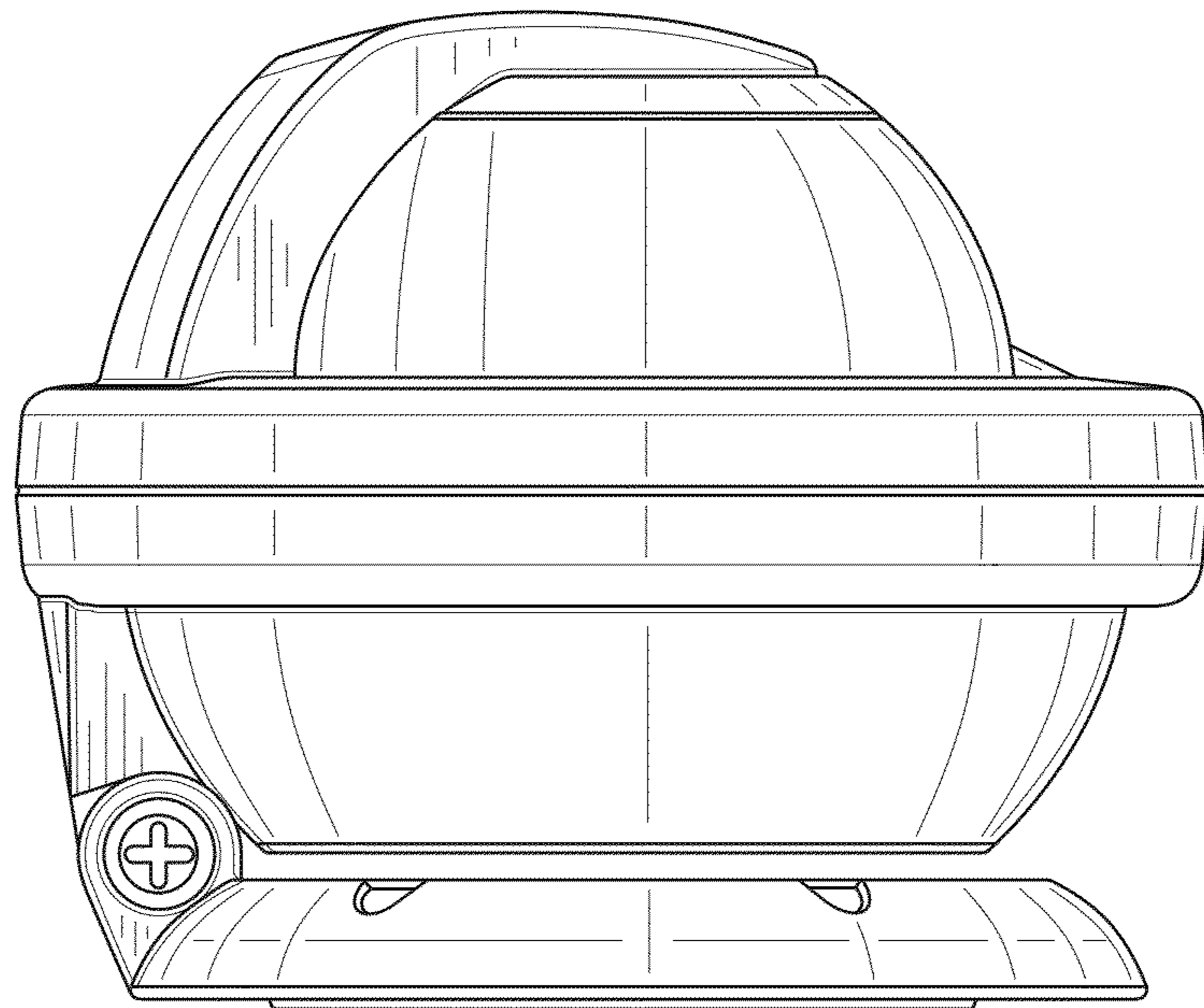


FIG. 4

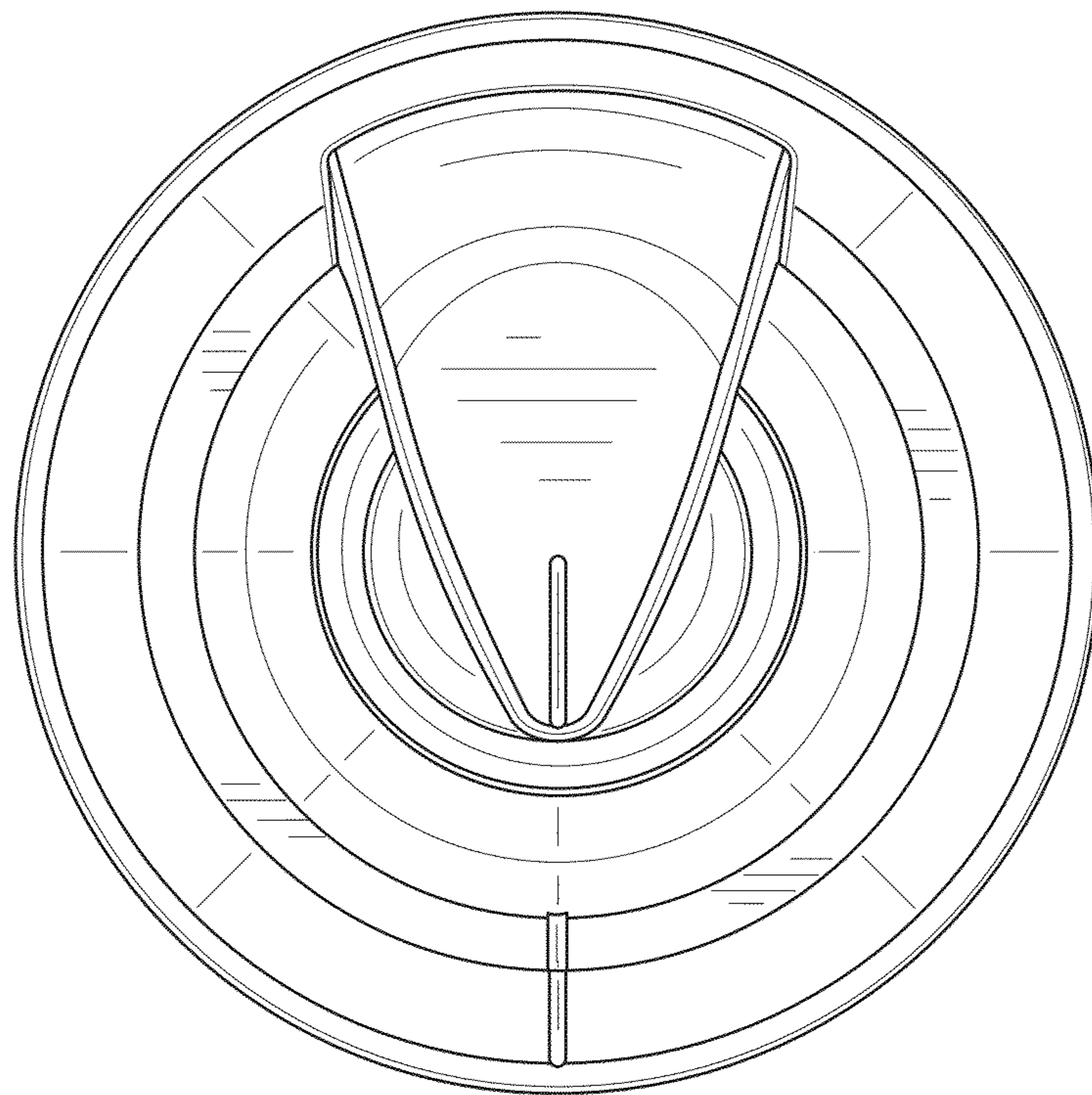


FIG. 5

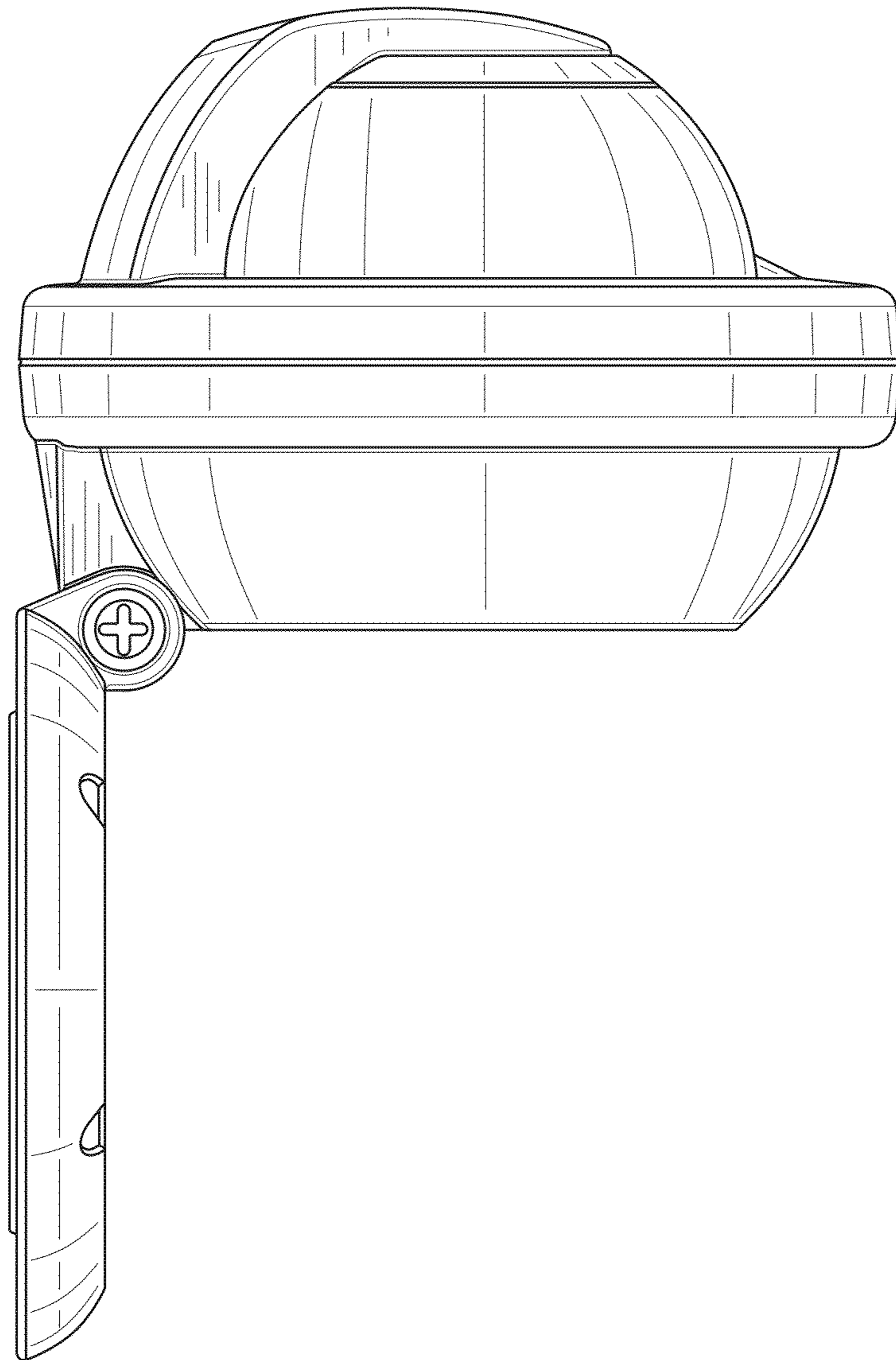


FIG. 6

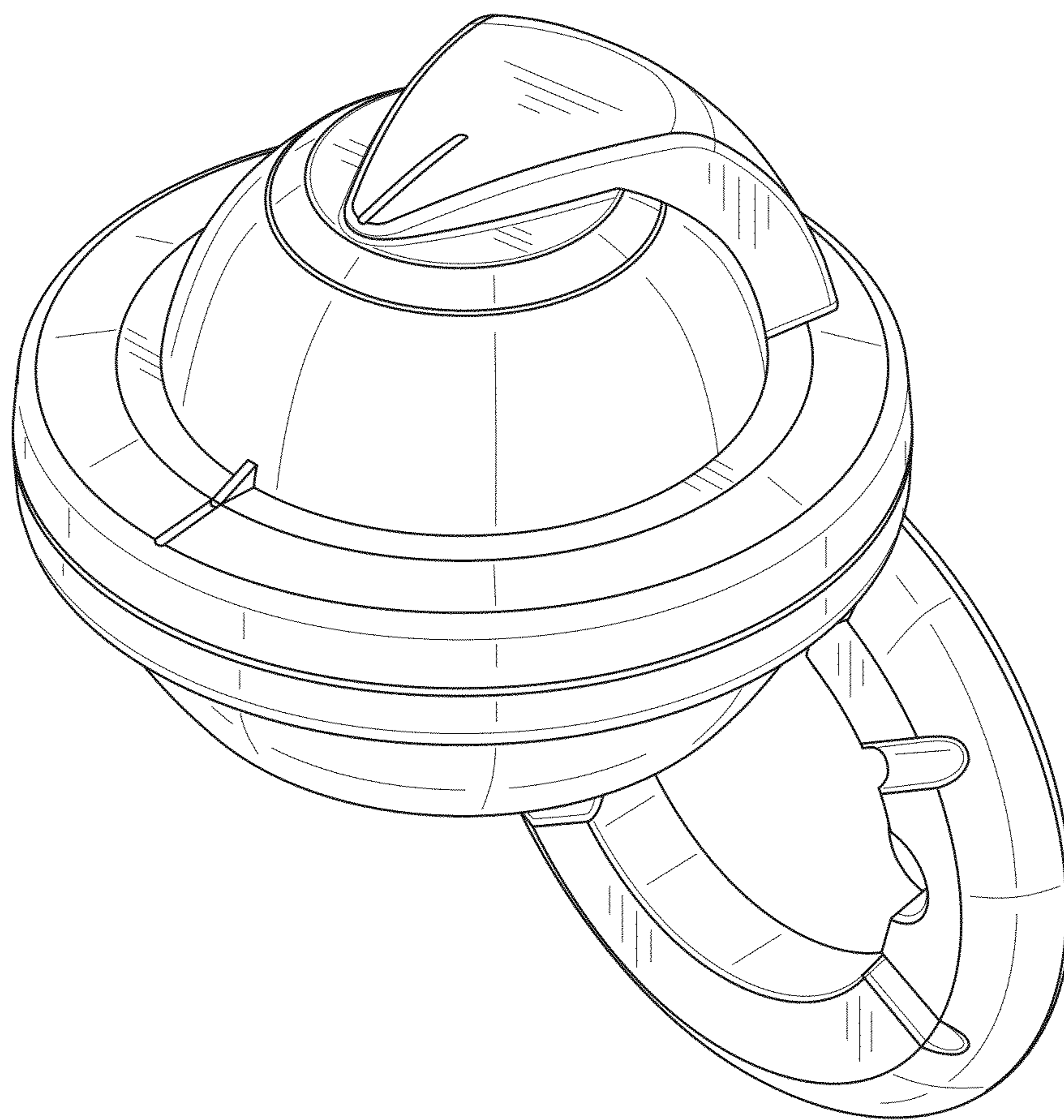


FIG. 7

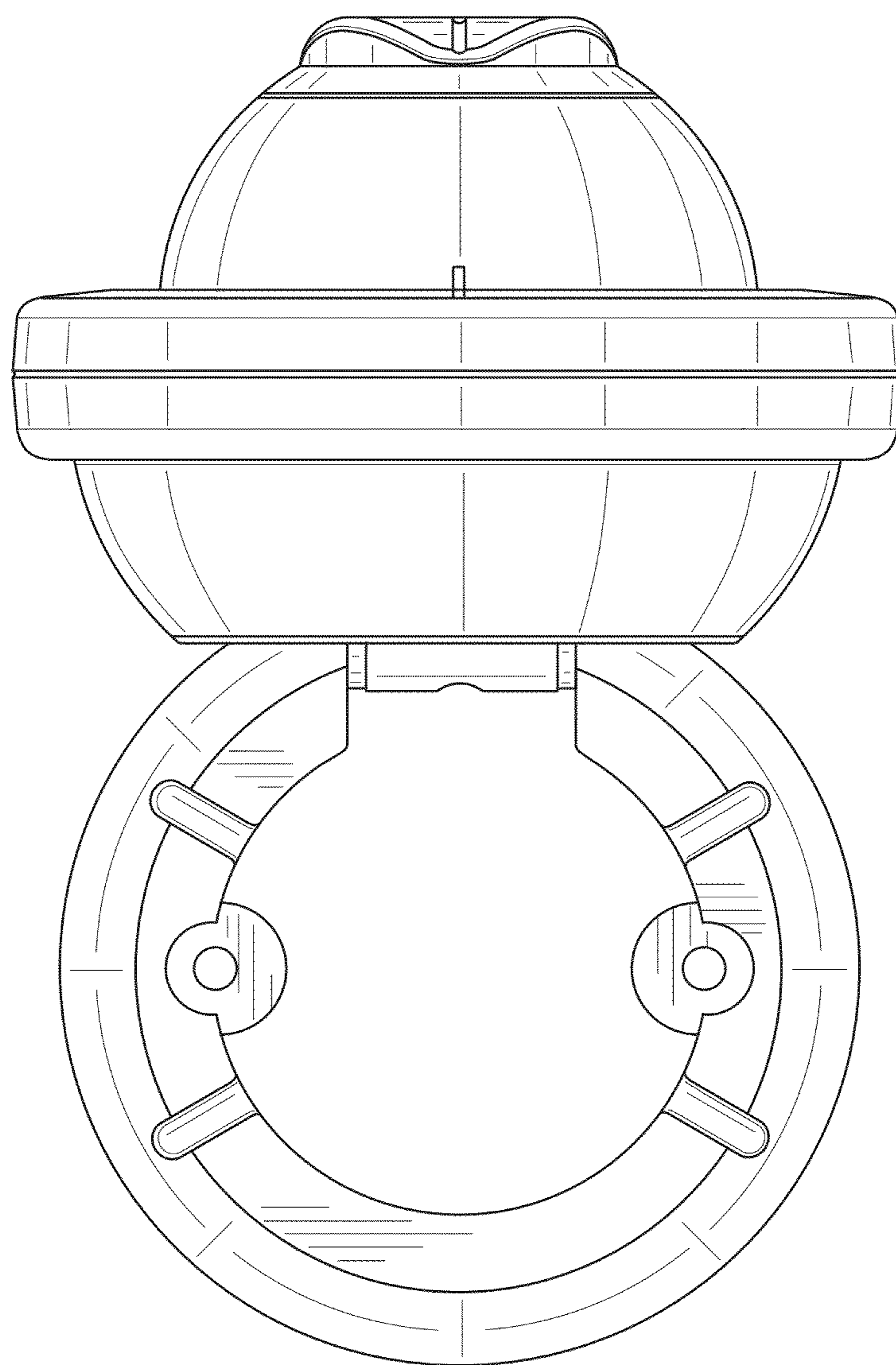


FIG. 8

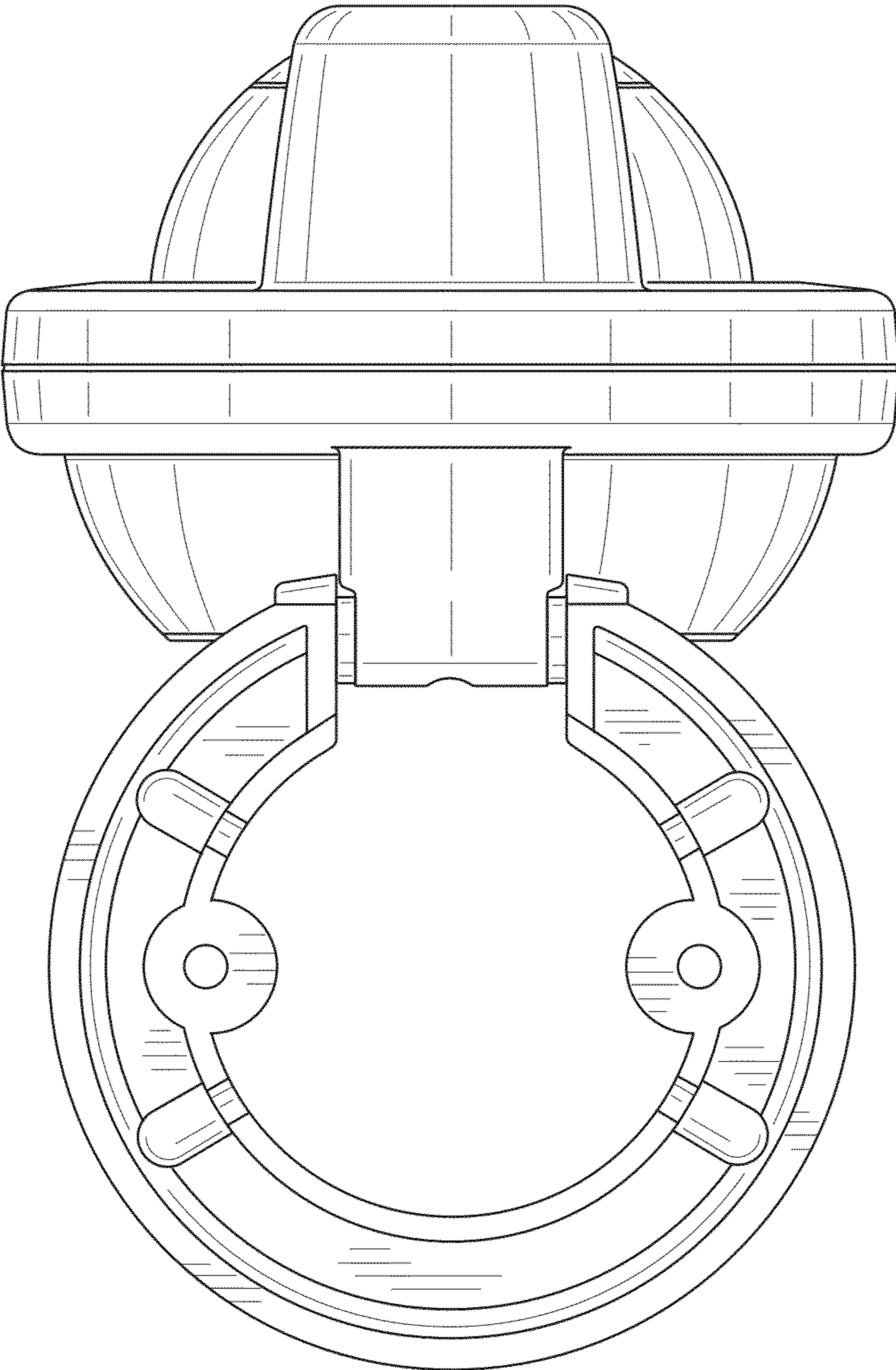


FIG. 9