



US00D740698S

(12) **United States Design Patent**  
**Cummings**

(10) **Patent No.:** **US D740,698 S**

(45) **Date of Patent:** **\*\* Oct. 13, 2015**

(54) **SUMP PUMP MONITOR**

(56) **References Cited**

(71) Applicant: **Beacon Technical Systems, LLC,**  
Pullman, WA (US)

U.S. PATENT DOCUMENTS

(72) Inventor: **Eugene M. Cummings,** Lake Forest, IL  
(US)

D358,560	S	*	5/1995	George	.....	D10/99
D642,083	S	*	7/2011	Blanc et al.	.....	D10/100
2010/0111724	A1	*	5/2010	Chou	.....	417/366
2014/0100526	A1	*	4/2014	Ueda et al.	.....	604/151
2014/0368152	A1	*	12/2014	Pasche et al.	.....	318/805

(73) Assignee: **Beacon Technical Systems, LLC,**  
Pullman, WA (US)

\* cited by examiner

(\*\*) Term: **14 Years**

*Primary Examiner* — Antoine D Davis

(21) Appl. No.: **29/494,488**

(74) *Attorney, Agent, or Firm* — Law Offices of Eugene M. Cummings, P.C.

(22) Filed: **Jun. 20, 2014**

(57) **CLAIM**

The ornamental design for the sump pump monitor, as shown and described.

(51) **LOC (10) Cl.** ..... **10-04**

**DESCRIPTION**

(52) **U.S. Cl.**

USPC ..... **D10/49; D10/99**

(58) **Field of Classification Search**

USPC ..... D10/49, 99-101

CPC ..... E03F 5/042; E03F 7/02; E03F 3/00;

E03B 1/00; F04B 47/02; F04B 49/02; F04B

49/10; F04B 59/065; F04B 49/025; F04B

49/022; F04D 15/0077; F04D 15/029; F04D

15/0209; F04D 15/0072; F04D 15/0218;

F04D 15/0066; F04D 13/068

See application file for complete search history.

FIG. 1 is a front elevation view of the sump pump monitor.  
FIG. 2 is a plan view of FIG. 1.  
FIG. 3 is a bottom view of FIG. 1.  
FIG. 4 is a rear elevation view of FIG. 1.  
FIG. 5 is a right side elevation view of FIG. 1; and,  
FIG. 6 is a left side elevation view of FIG. 1.  
The broken lines showing shapes of input receptacles in FIG. 5 and FIG. 6 is for the purpose of illustrating environmental structure and forms no part of the claim design.

**1 Claim, 6 Drawing Sheets**

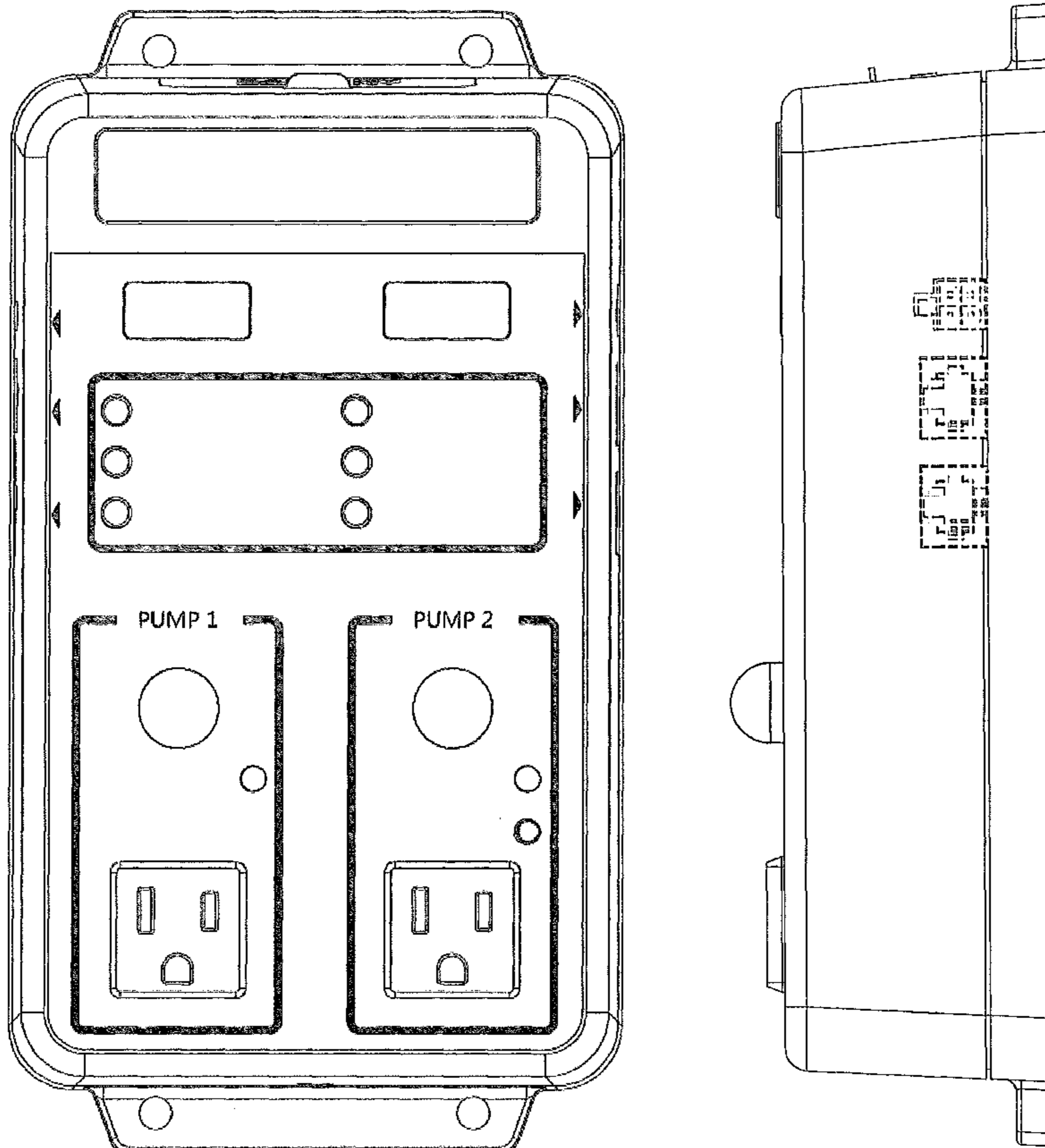


FIG. 1

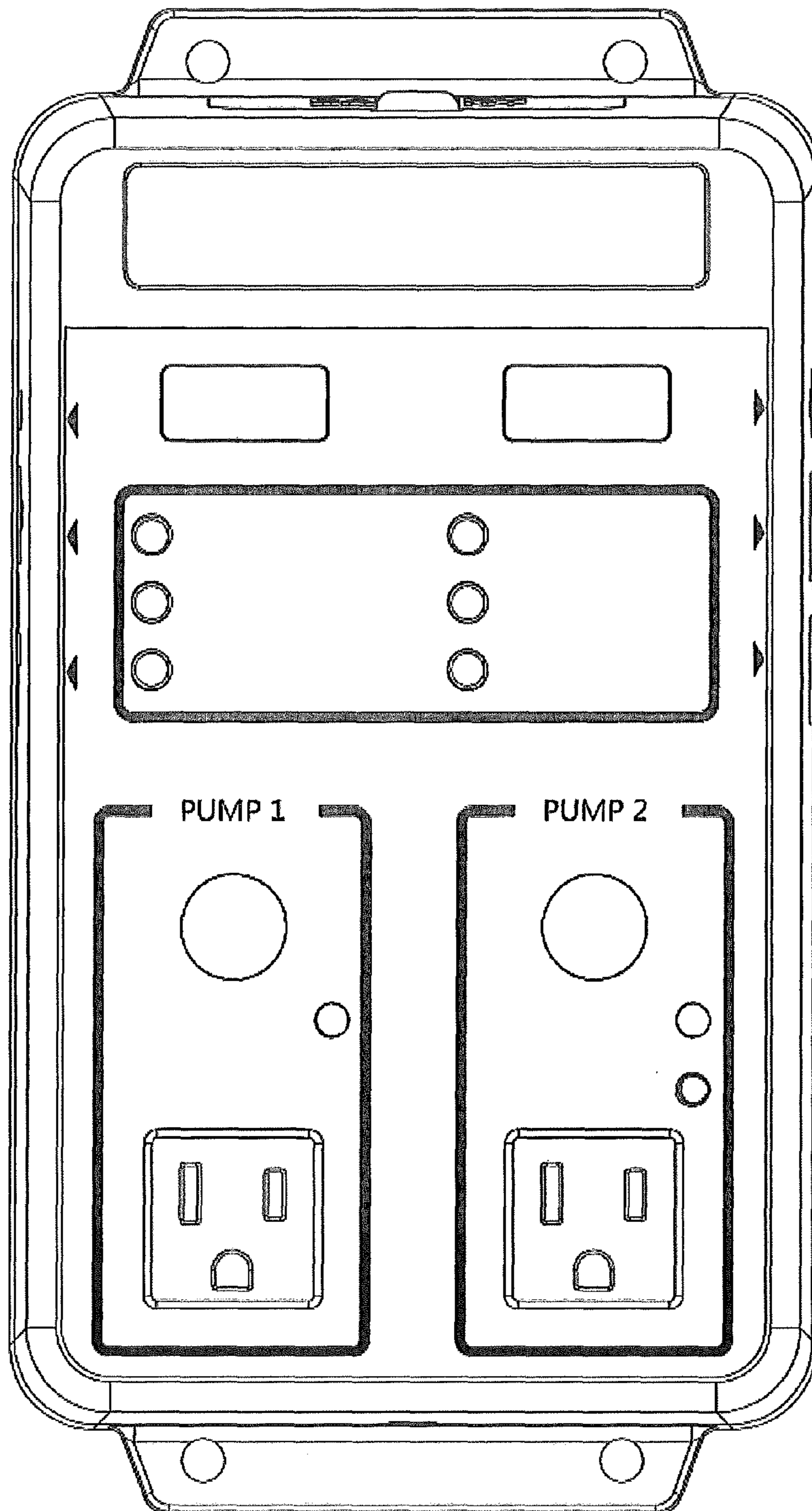


FIG. 2

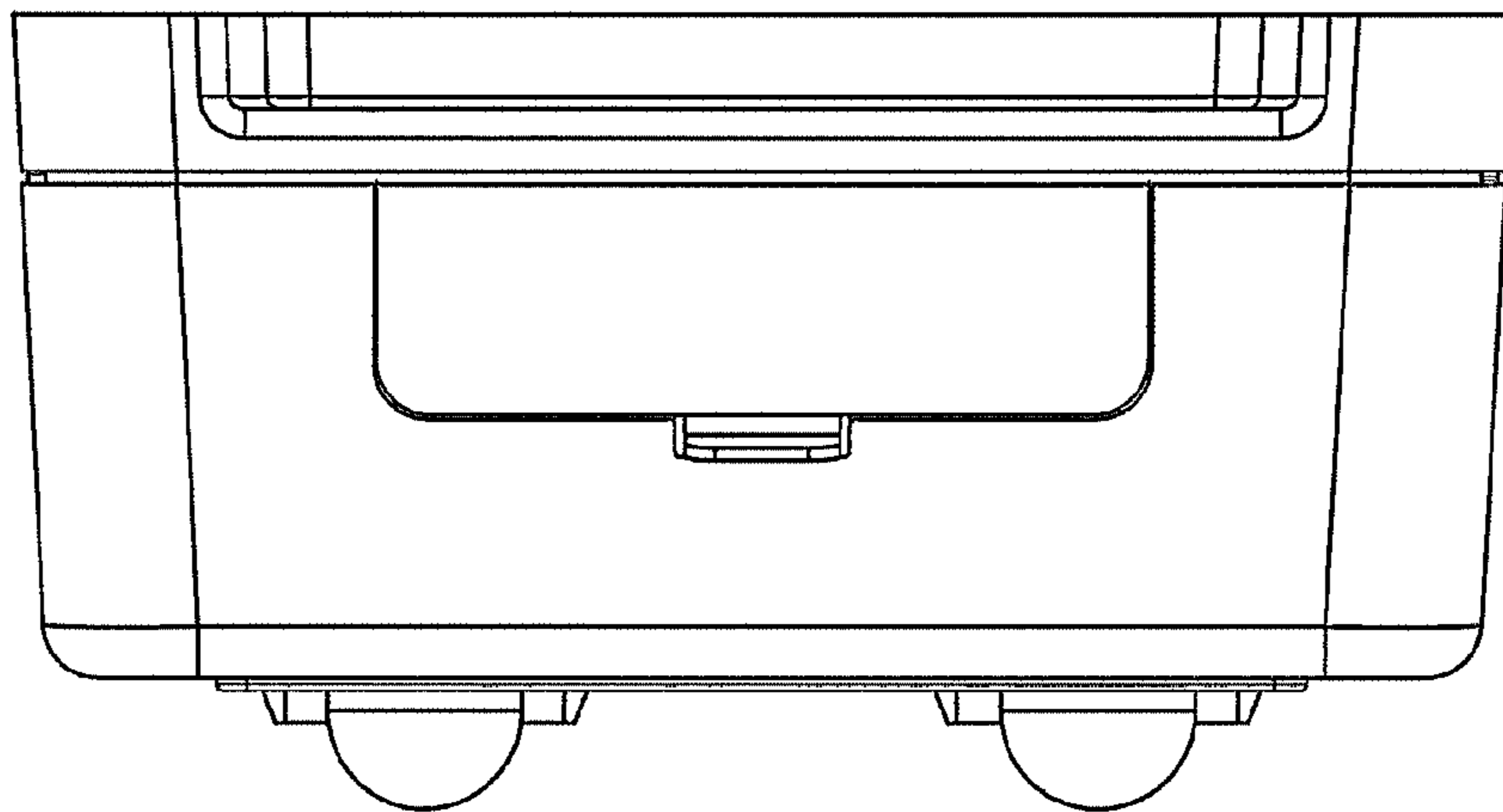


FIG. 3

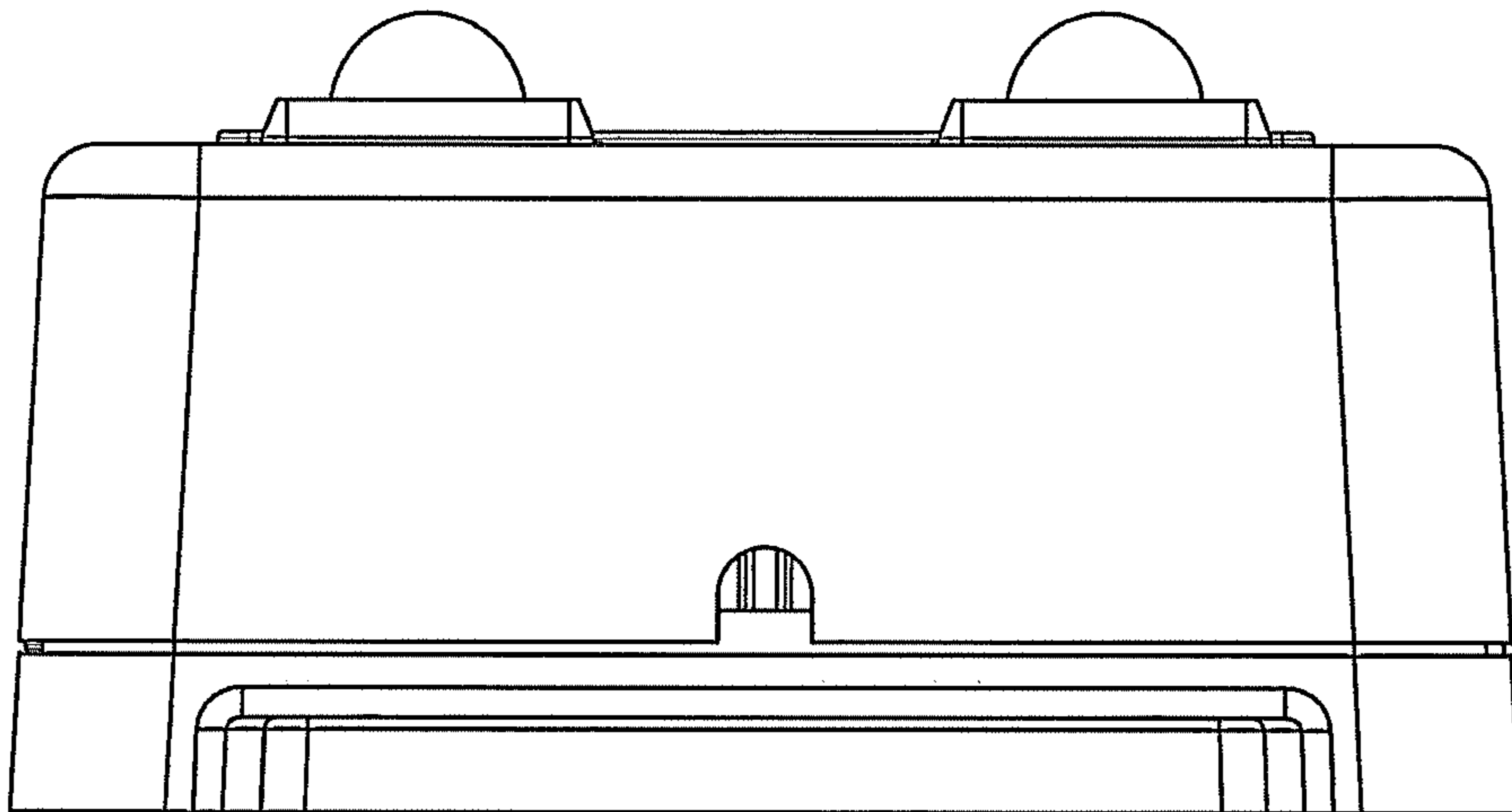


FIG. 4

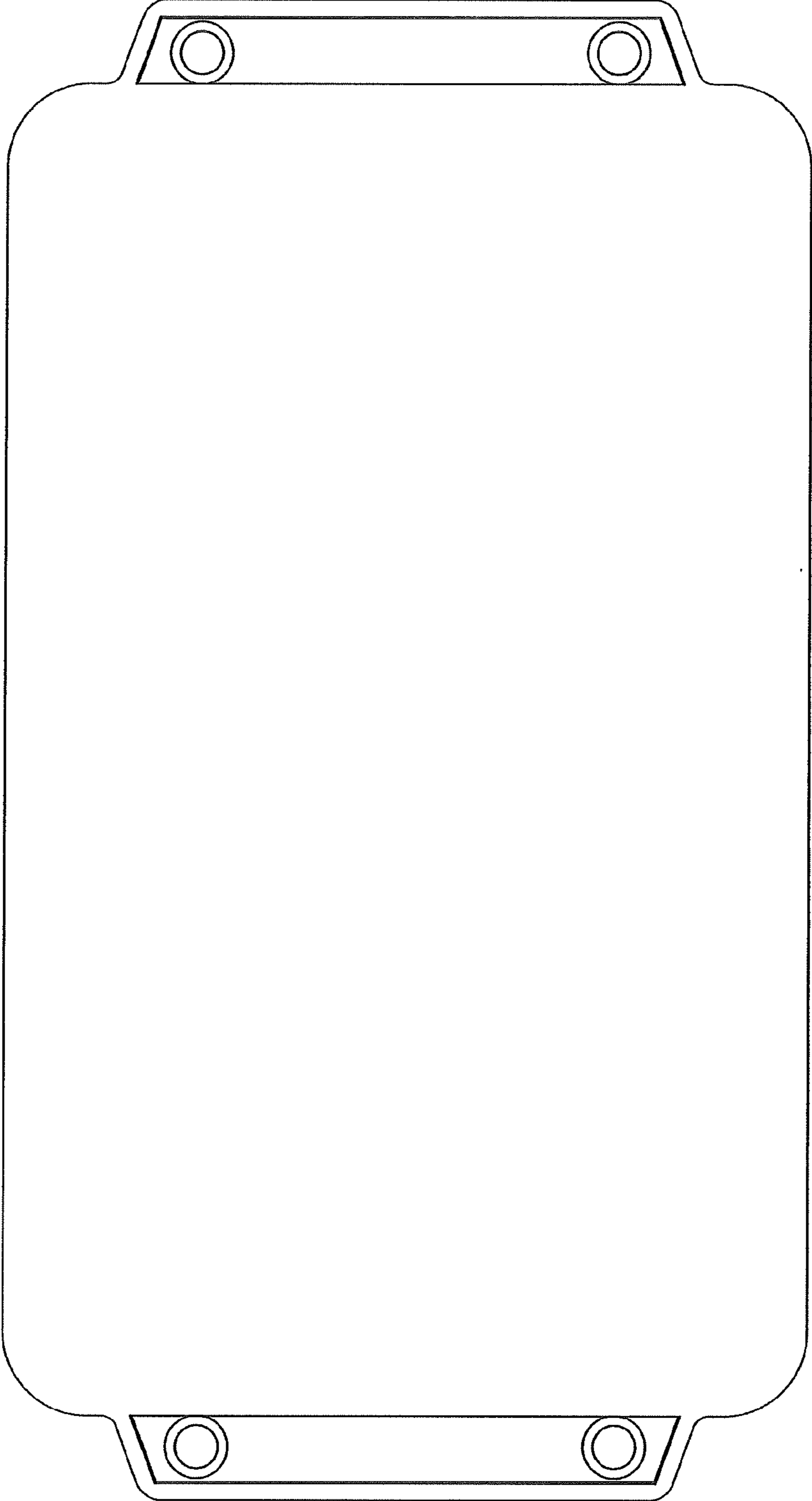


FIG. 5

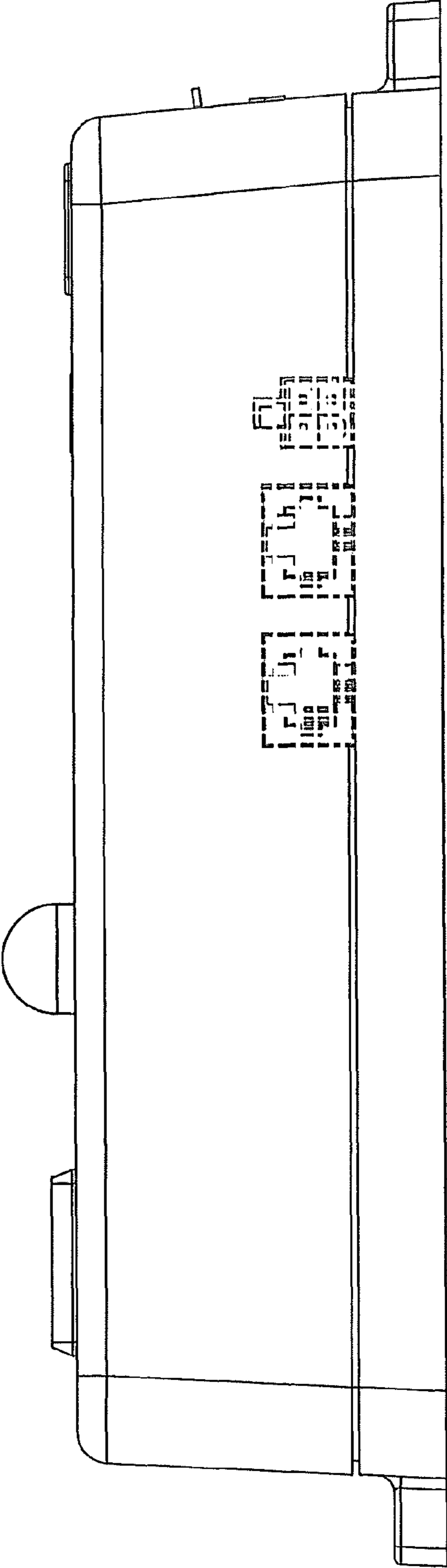


FIG. 6

