

US00D740697S

(12) **United States Design Patent**  
**Recknagel et al.**

(10) **Patent No.:** **US D740,697 S**

(45) **Date of Patent:** **\*\* Oct. 13, 2015**

- (54) **BOWLING SCORING CONSOLE**
- (71) Applicant: **Brunswick Corporation**, Lake Forest, IL (US)
- (72) Inventors: **Troy A. Recknagel**, Norton Shores, MI (US); **Joshua Rigg**, Clarkston, MI (US)
- (73) Assignee: **Brunswick Bowling Products, LLC**, Muskegon, MI (US)
- (\*\*) Term: **14 Years**
- (21) Appl. No.: **29/496,451**
- (22) Filed: **Jul. 14, 2014**
- (51) **LOC (10) Cl.** ..... **21-01**
- (52) **U.S. Cl.**  
USPC ..... **D10/46.1**
- (58) **Field of Classification Search**  
USPC ..... D21/324-328, 785; D10/46.1;  
116/222-225; 235/90, 1 B  
CPC ..... A63D 5/00; A63D 5/04; G03B 23/00;  
G09F 9/00; G09F 15/00  
See application file for complete search history.

D235,360	S	*	6/1975	Brucker	.....	D6/673
4,185,583	A	*	1/1980	Stamm	.....	116/225
D300,435	S	*	3/1989	Harris et al.	.....	D20/19
D356,962	S	*	4/1995	Barrett et al.	.....	D10/46.1
D368,293	S	*	3/1996	Barrett	.....	D10/46.1
D376,402	S	*	12/1996	Barrett	.....	D21/785
5,719,548	A	*	2/1998	Stirling et al.	.....	340/323 B
D414,434	S	*	9/1999	Arney et al.	.....	D10/46.1
D416,208	S	*	11/1999	Arney et al.	.....	D10/46.1

\* cited by examiner

*Primary Examiner* — Prabhakar Deshmukh

(74) *Attorney, Agent, or Firm* — Womble Carlyle Sandridge & Rice, LLP

(57) **CLAIM**

The ornamental design for a bowling scoring console, as shown and described.

**DESCRIPTION**

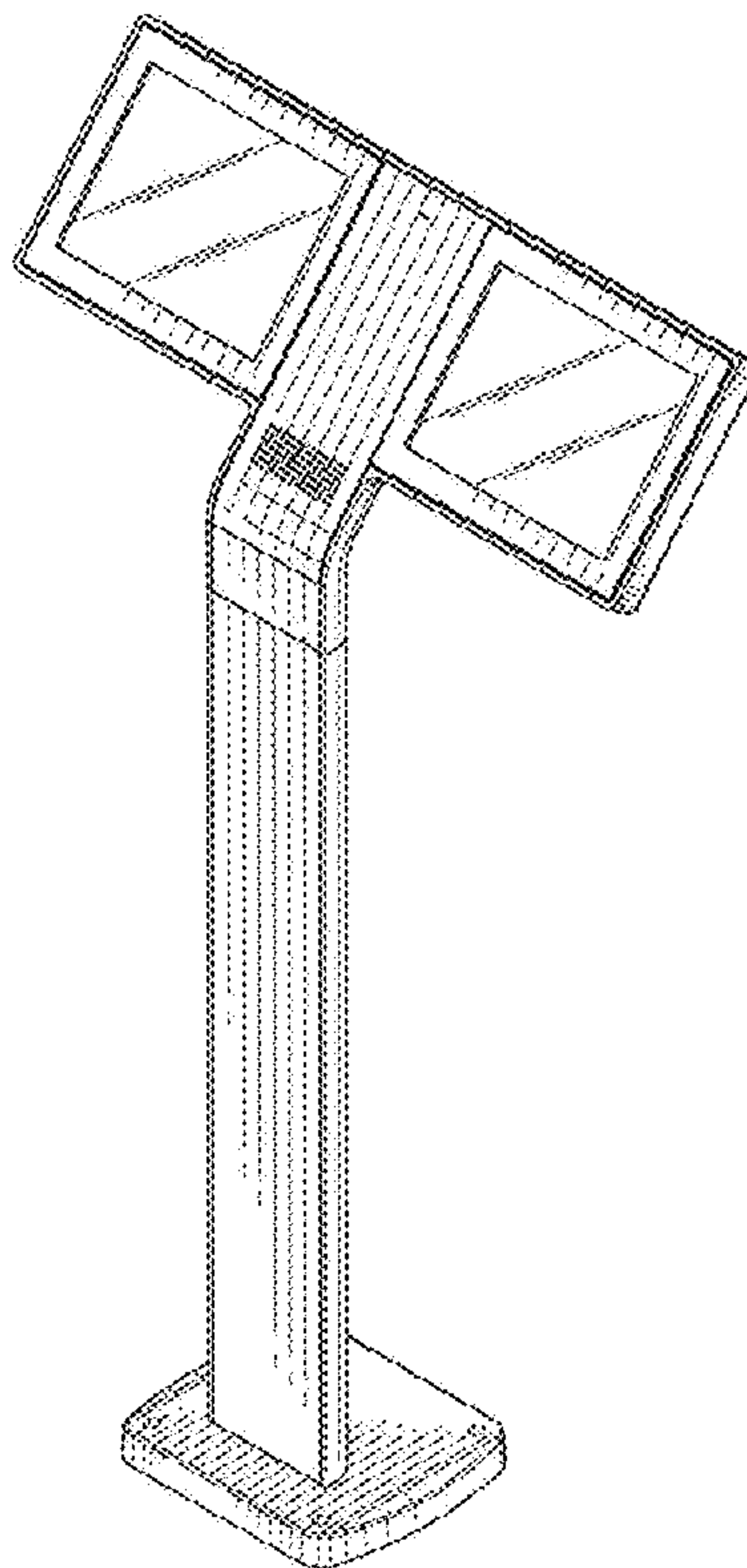
FIG. 1 is a front perspective view of a bowling scoring console showing our new design;  
 FIG. 2 is a rear perspective view thereof;  
 FIG. 3 is a front elevational view thereof;  
 FIG. 4 is a rear elevational view thereof;  
 FIG. 5 is a left side elevational view thereof;  
 FIG. 6 is a rights side elevational view thereof;  
 FIG. 7 is a top plan view thereof; and,  
 FIG. 8 is a bottom plan view thereof.  
 In the drawings, broken lines, if any, depict environmental subject matter only and form no part of the claimed design.

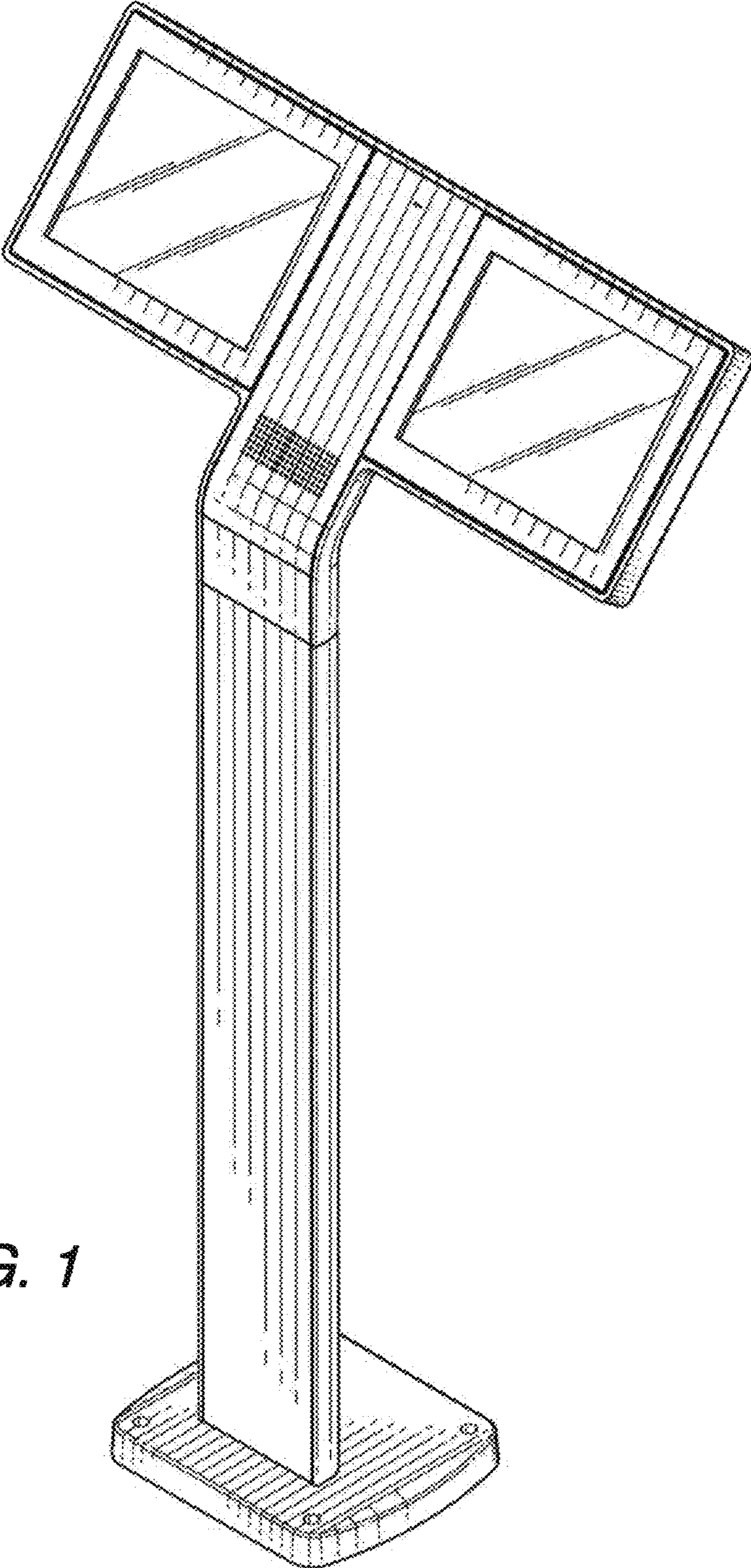
**1 Claim, 6 Drawing Sheets**

(56) **References Cited**

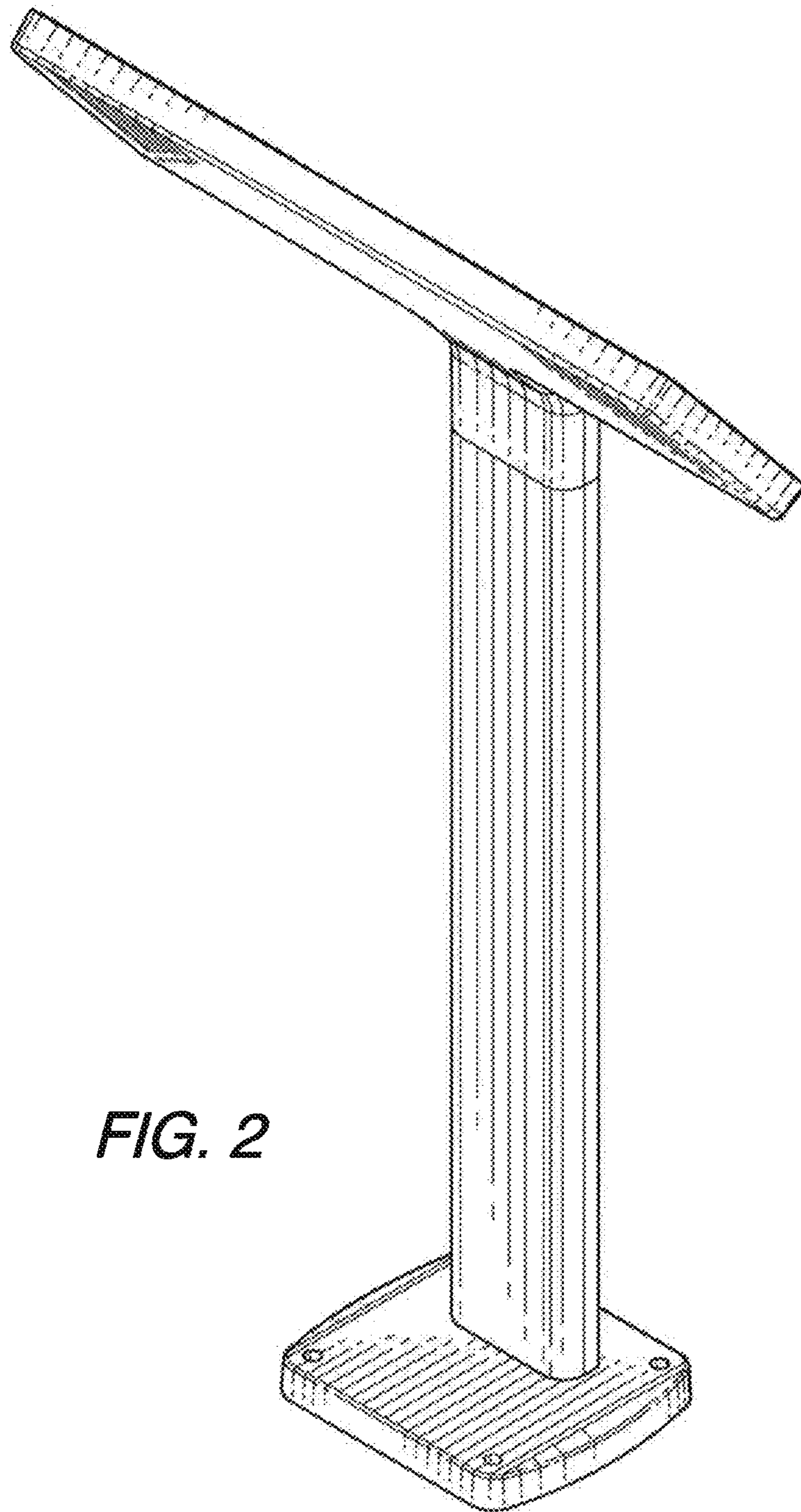
U.S. PATENT DOCUMENTS

3,220,127	A	*	11/1965	Wilson	.....	40/388
3,433,479	A	*	3/1969	Huck et al.	.....	473/71



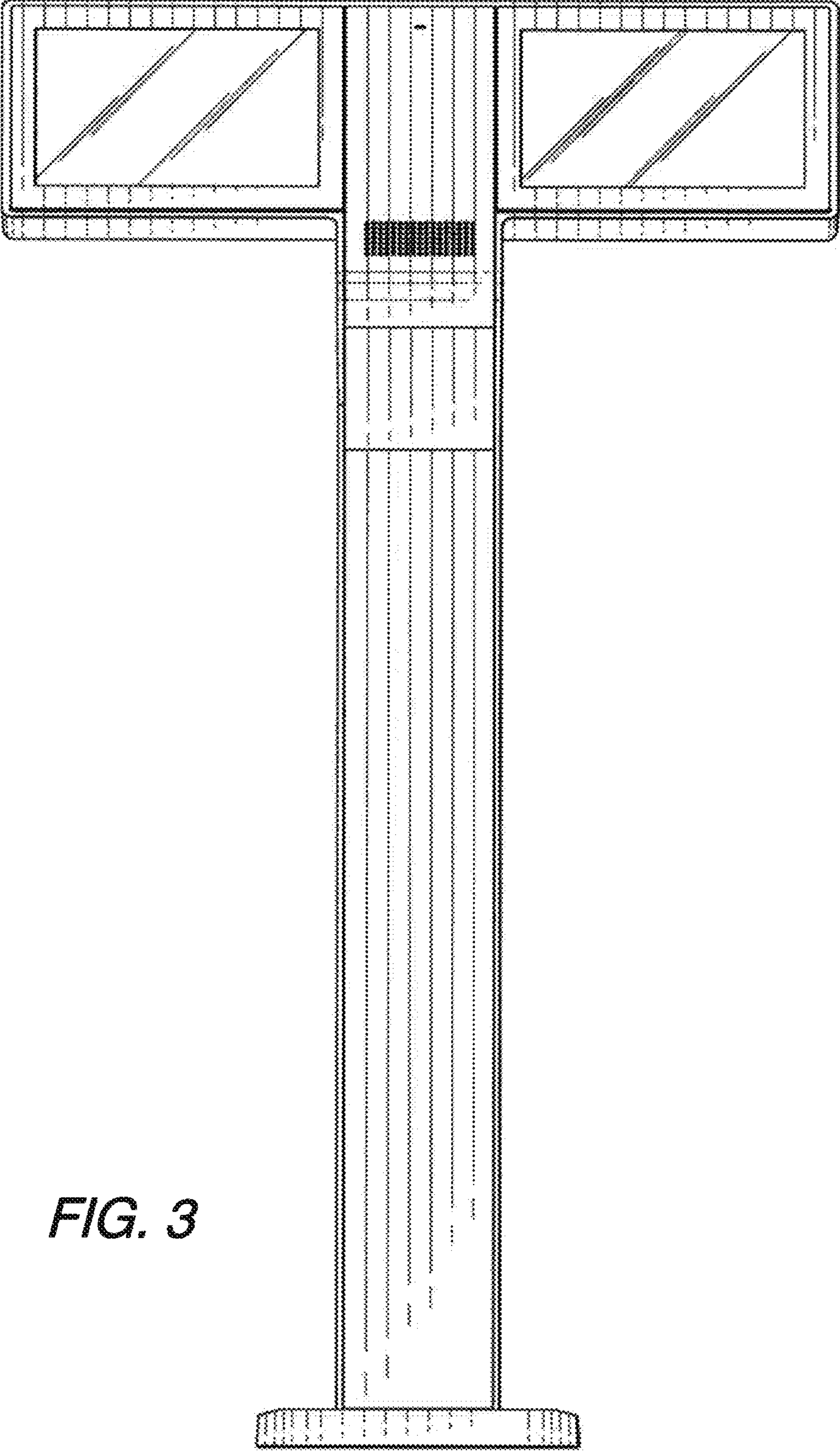


*FIG. 1*

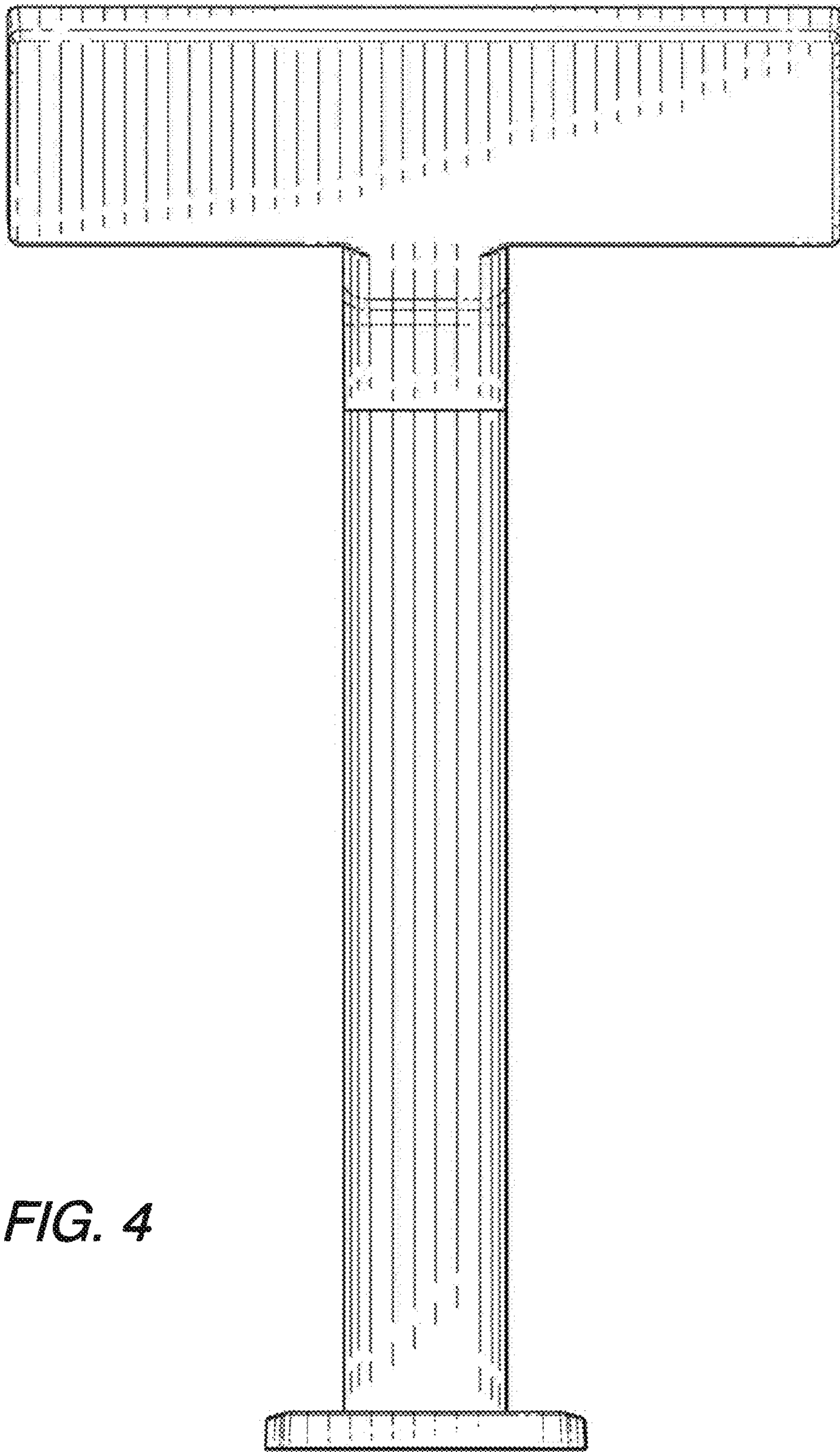


*FIG. 2*

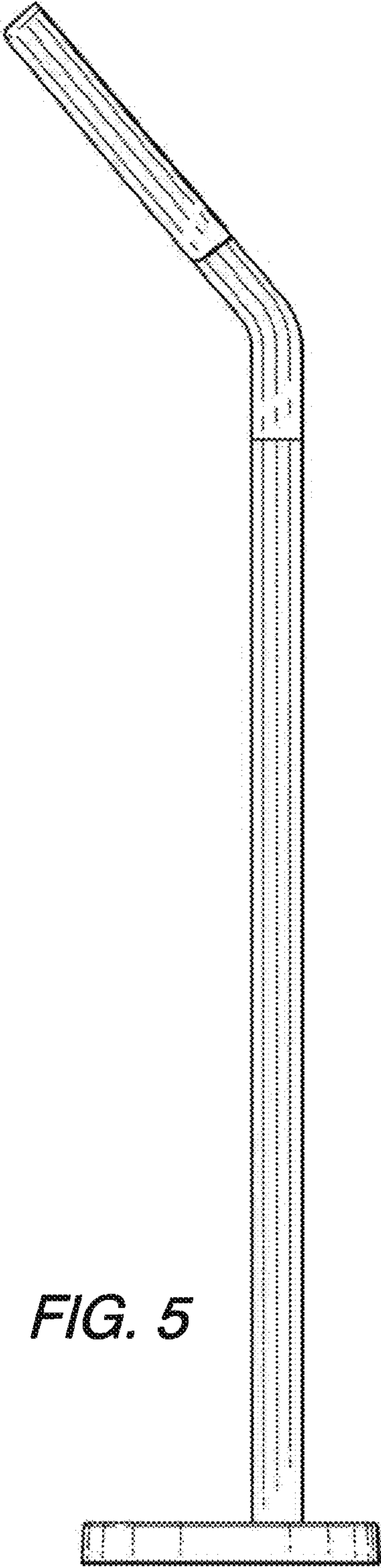




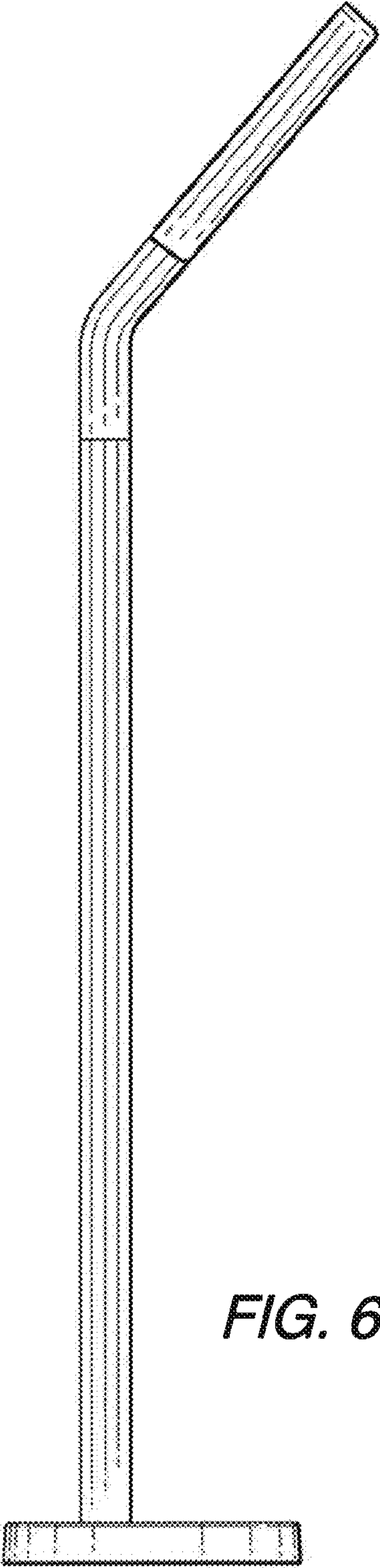
*FIG. 3*



*FIG. 4*

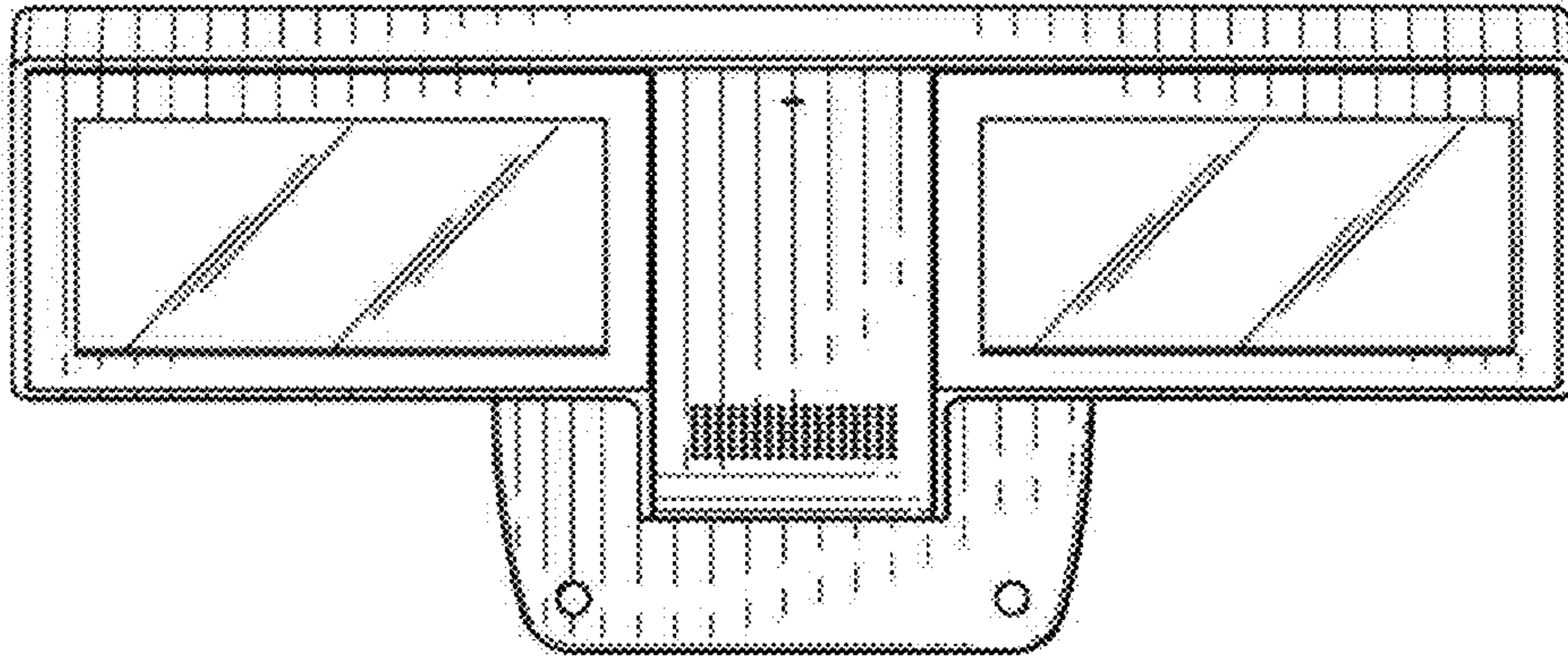


*FIG. 5*

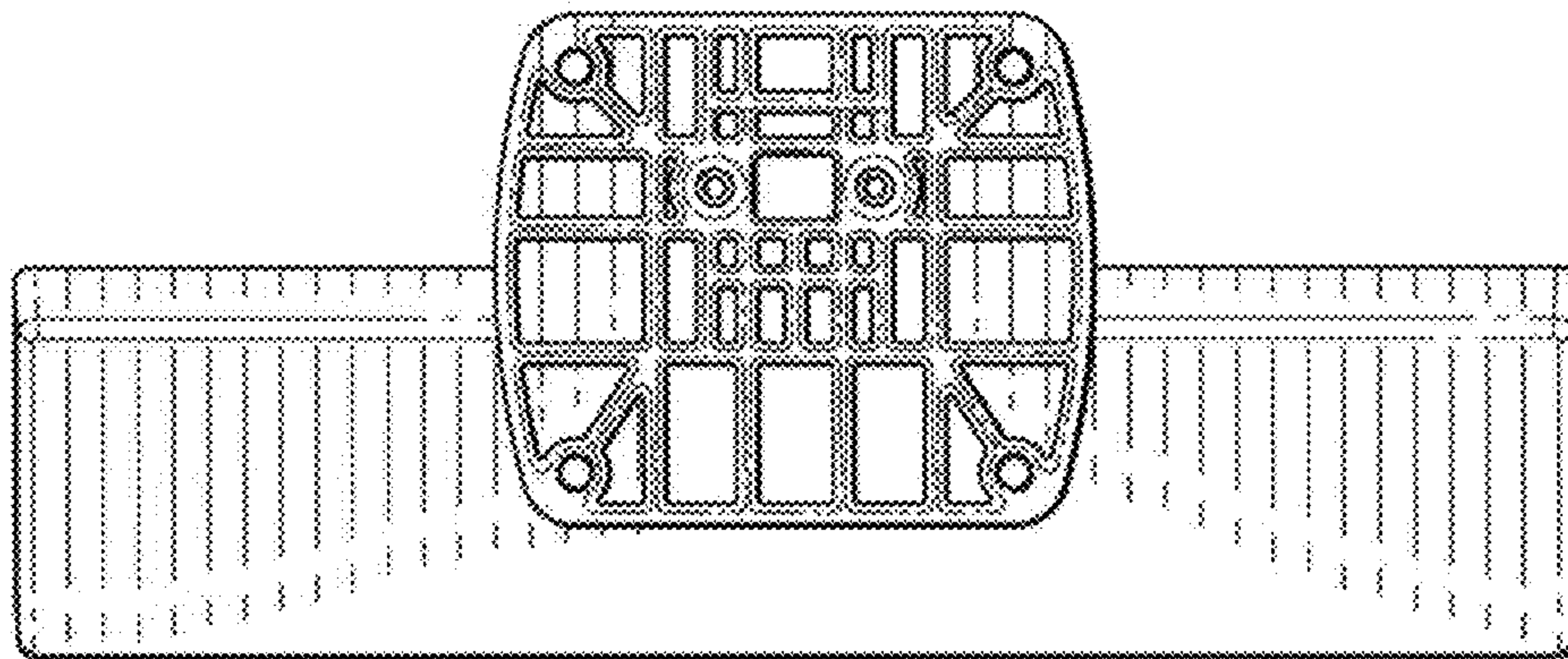


*FIG. 6*





*FIG. 7*



*FIG. 8*