



US00D740696S

(12) **United States Design Patent**  
**Monachon**

(10) **Patent No.:** **US D740,696 S**

(45) **Date of Patent:** **\*\* Oct. 13, 2015**

(54) **WATCH**

(71) Applicant: **OMEGA LTD.**, Biel/Bienne (CH)

(72) Inventor: **Jean-Claude Monachon**, Bevaix (CH)

(73) Assignee: **OMEGA LTD.**, Biel/Bienne (CH)

(\*\*) Term: **14 Years**

(21) Appl. No.: **29/477,322**

(22) Filed: **Dec. 20, 2013**

(30) **Foreign Application Priority Data**

Jun. 21, 2013 (WO) ..... DM/081 178

(51) **LOC (10) Cl.** ..... **10-02**

(52) **U.S. Cl.**  
USPC ..... **D10/39; D10/126**

(58) **Field of Classification Search**  
USPC ..... D10/30-39, 1-29, 122-132  
CPC ..... G04B 15/00; G04B 17/06; G04B 17/285;  
G04B 19/24; G04B 37/00; G04B 37/0008;  
G04B 37/225; G04B 45/00; G04B 45/0038;  
G04B 45/0069; G04B 45/0076; G04B 45/02  
See application file for complete search history.

(56) **References Cited**

**U.S. PATENT DOCUMENTS**

2,385,234 A \* 9/1945 Schmitz ..... 368/288  
D186,180 S \* 9/1959 Diamond ..... D10/39

3,901,023 A \* 8/1975 Uebelhardt ..... 368/281  
D448,311 S \* 9/2001 Sciacca ..... D10/39  
D587,139 S \* 2/2009 Armani ..... D10/30  
D622,167 S \* 8/2010 Jorst et al. .... D10/39  
D645,766 S \* 9/2011 Bertucci ..... D10/38  
D648,638 S \* 11/2011 Monachon ..... D10/39  
D678,081 S \* 3/2013 Cabiddu ..... D10/38  
D679,200 S \* 4/2013 Jacquerye ..... D10/39  
D679,201 S \* 4/2013 Jacquerye ..... D10/39  
D684,486 S \* 6/2013 Messmer et al. .... D10/39

\* cited by examiner

*Primary Examiner* — Martie K Holtje

(74) *Attorney, Agent, or Firm* — Donald J. Ranft; Kristen A. Mogavero; Collen IP

(57) **CLAIM**

The ornamental design for a watch, as shown.

**DESCRIPTION**

FIG. 1 is a front right perspective view of a watch showing my new design;  
FIG. 2 is a rear left perspective view thereof;  
FIG. 3 is a front view thereof;  
FIG. 4 is a rear view thereof;  
FIG. 5 is a left side view thereof;  
FIG. 6 is a right side view thereof;  
FIG. 7 is a top view thereof; and,  
FIG. 8 is a bottom view thereof.

**1 Claim, 6 Drawing Sheets**



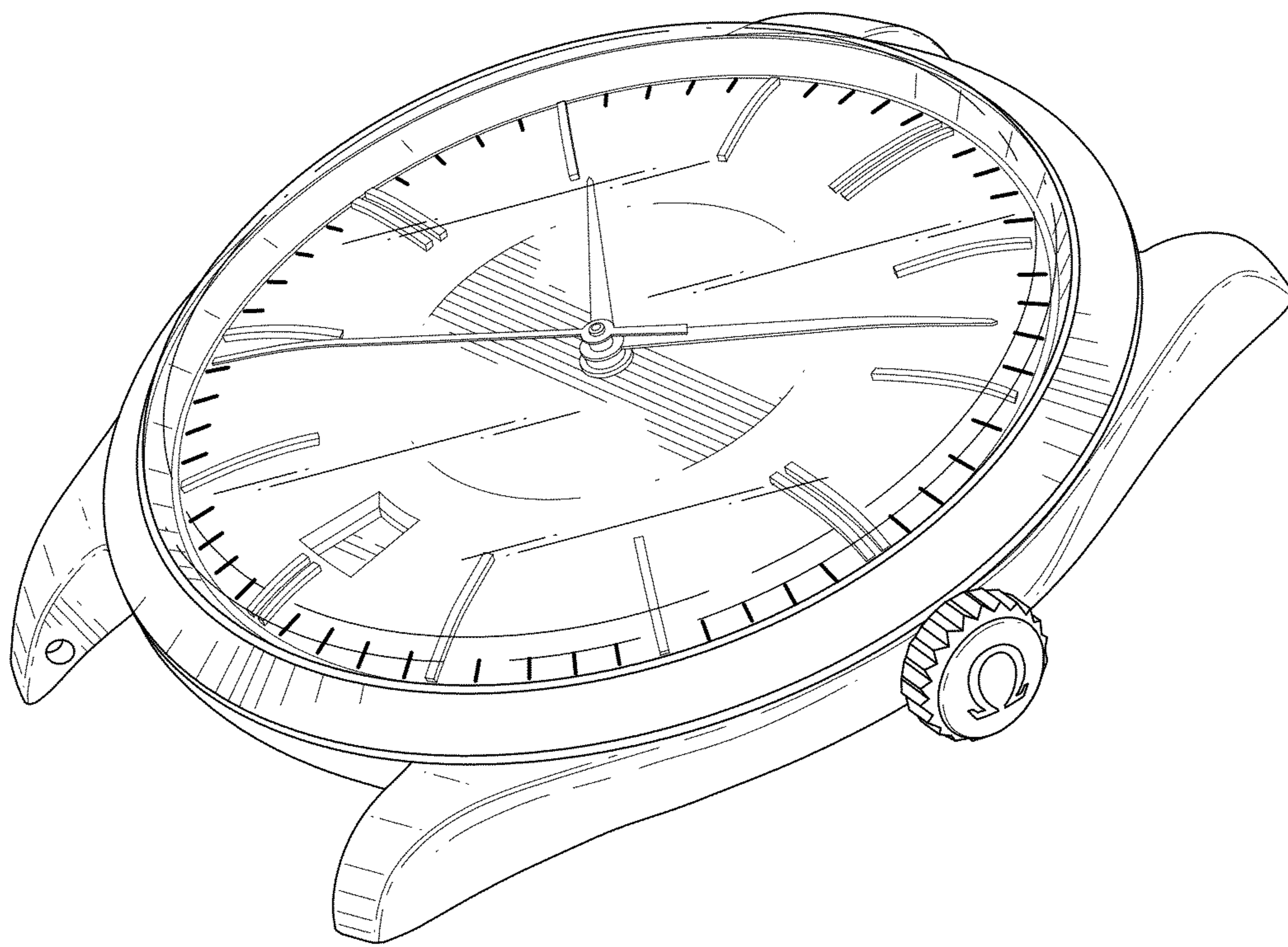


FIG. 1

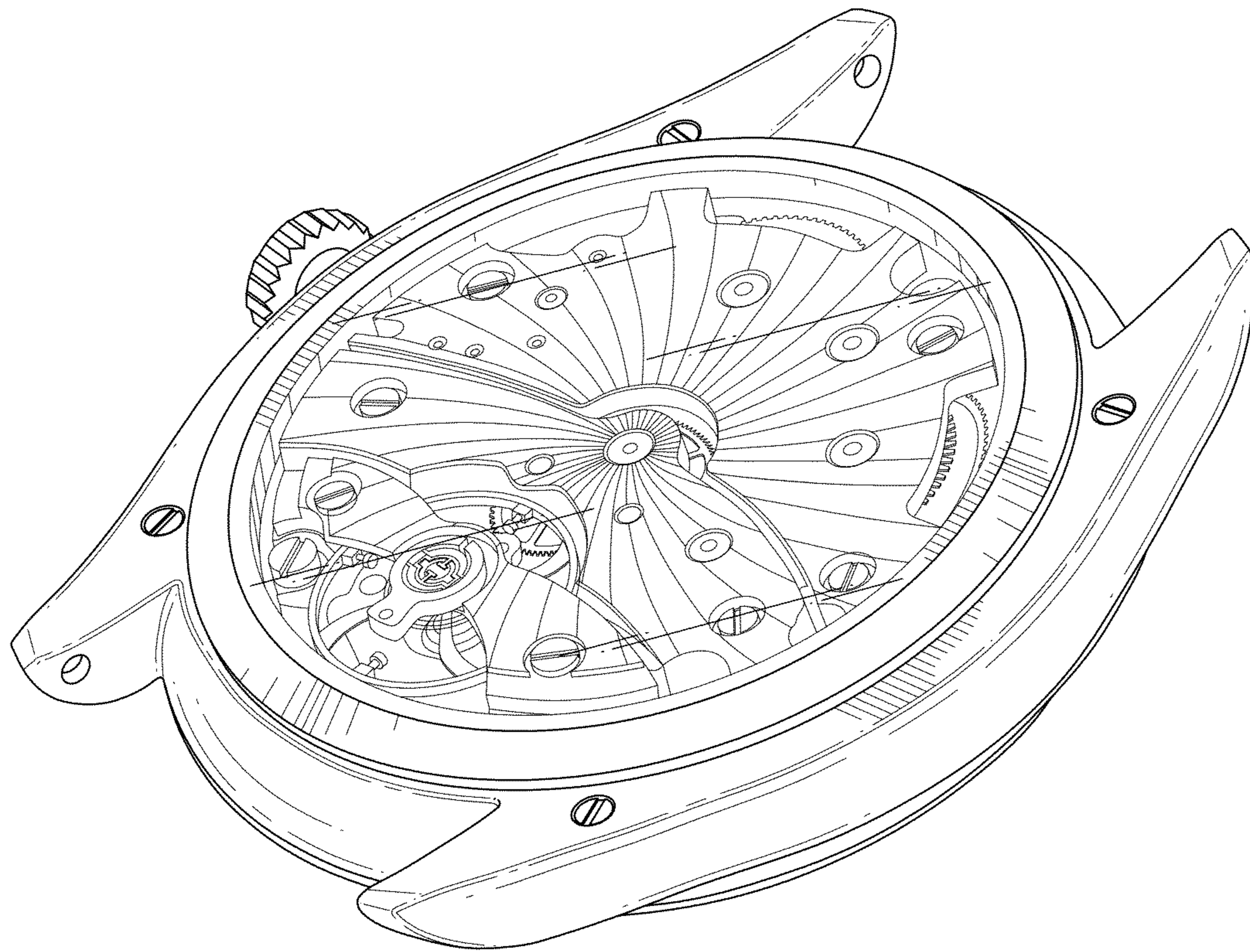


FIG. 2



FIG. 3



FIG.4

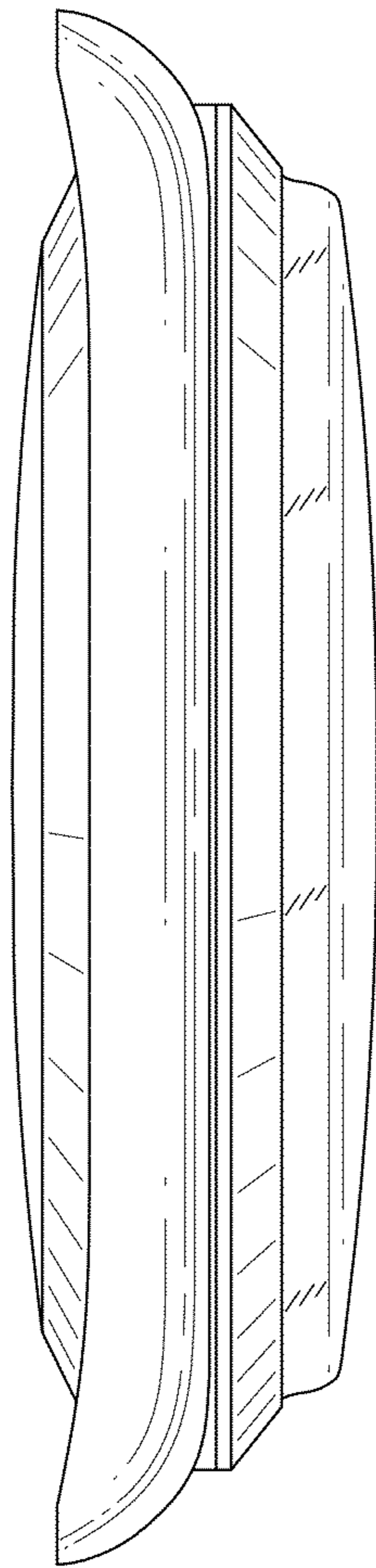


FIG. 5

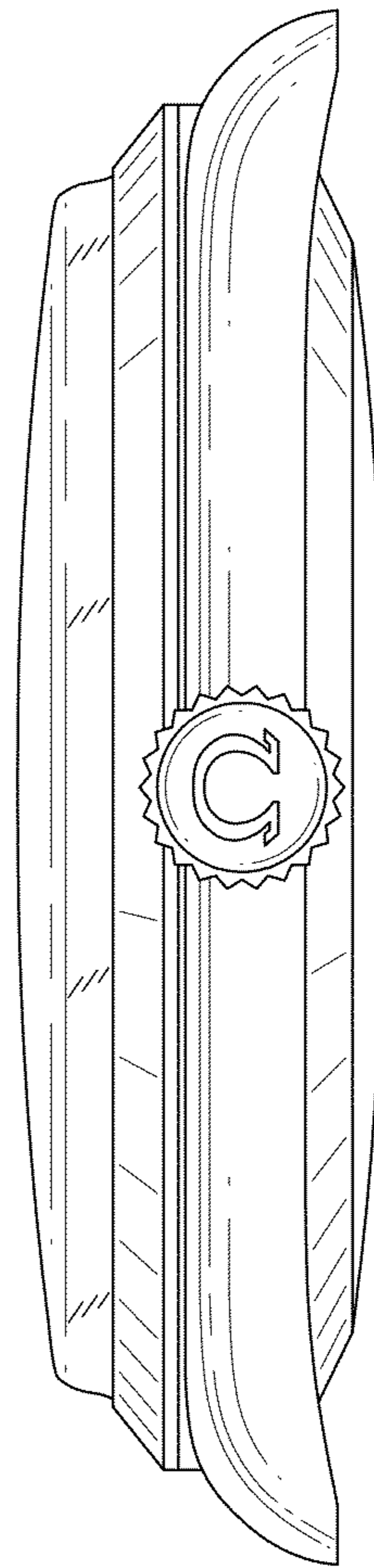


FIG. 6

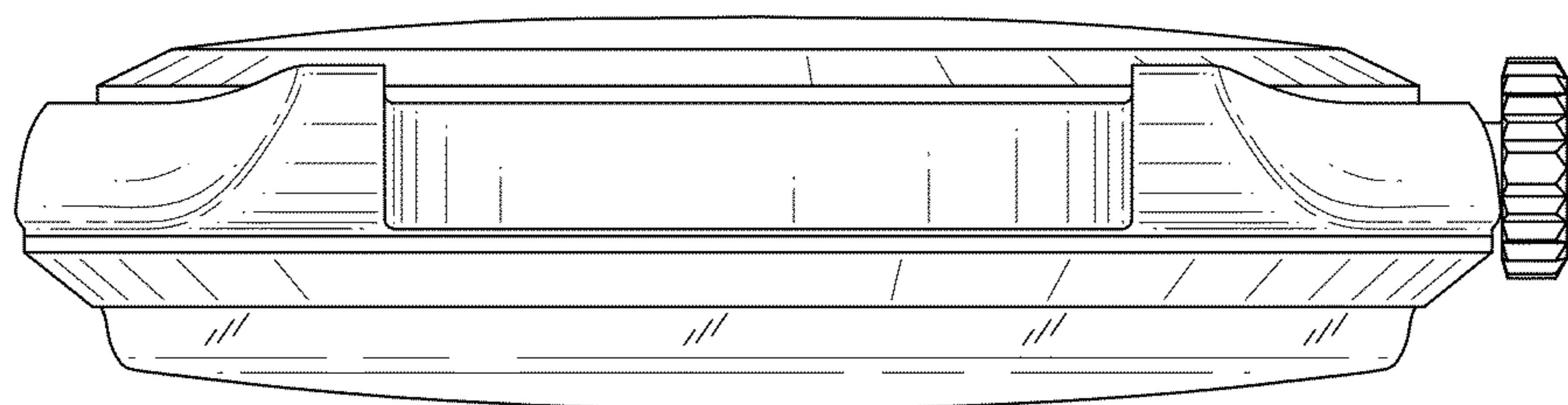


FIG. 7

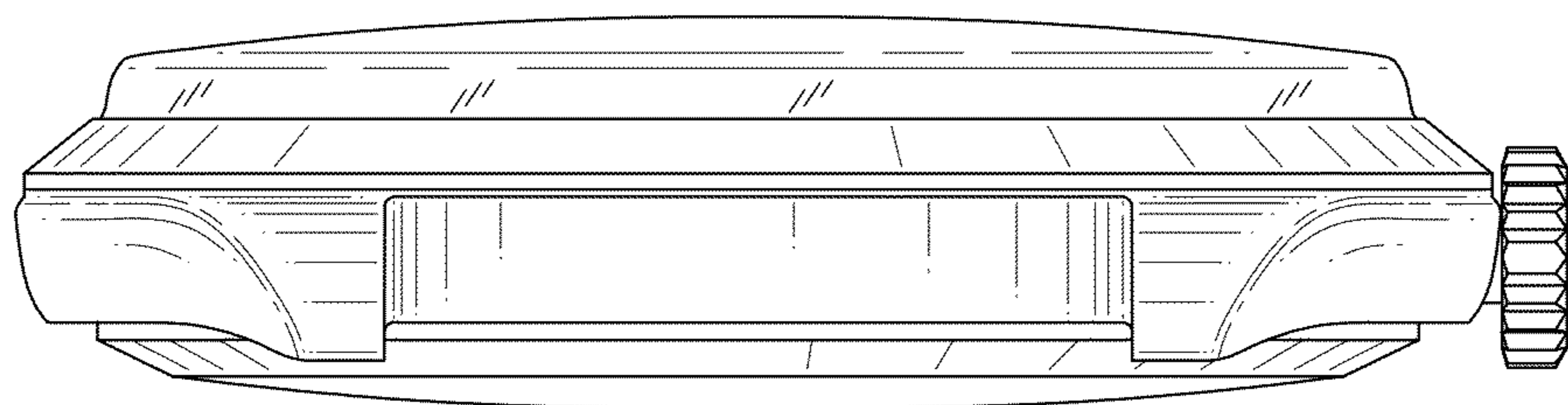


FIG. 8