

US00D740694S

(12) **United States Design Patent**  
**Bouissou**

(10) **Patent No.:** **US D740,694 S**  
(45) **Date of Patent:** **\*\* Oct. 13, 2015**

(54) **WRISTWATCH**

(56) **References Cited**

(71) Applicant: **LUXURY GOODS INTERNATIONAL (L.G.I.) SA,**  
Cortailod (CH)

(72) Inventor: **Pierre Bouissou,** Paris (FR)

(73) Assignee: **LUXURY GOODS INTERNATIONAL (L.G.I.) SA,**  
Cortailod (CH)

(\*\*) Term: **14 Years**

(21) Appl. No.: **29/486,892**

(22) Filed: **Apr. 3, 2014**

(30) **Foreign Application Priority Data**

Dec. 6, 2013 (WO) ..... DM/082 371

(51) **LOC (10) Cl.** ..... **10-02**

(52) **U.S. Cl.**  
USPC ..... **D10/32; D10/38**

(58) **Field of Classification Search**  
USPC ..... D10/30-39, 1-29, 122-132  
CPC ..... G04B 19/00; G04B 19/06; G04B 19/08;  
G04B 19/10; G04B 37/00; G04B 37/0008;  
G04B 37/0058; G04B 45/00; G04B 45/0069;  
G04B 45/0076

See application file for complete search history.

U.S. PATENT DOCUMENTS

D261,365 S *	10/1981	Carre .....	D10/38
D324,182 S *	2/1992	Boucheron .....	D10/39
D352,007 S *	11/1994	Boucheron .....	D10/39
D370,638 S *	6/1996	Oba .....	D10/30
D402,567 S *	12/1998	Gueit .....	D10/32
D420,922 S *	2/2000	Gueit .....	D10/32
D463,986 S *	10/2002	de Coupigny .....	D10/30
D528,019 S *	9/2006	Bedat .....	D10/39
D549,599 S *	8/2007	Gruosi .....	D10/38
D606,889 S *	12/2009	Nusbbaumer .....	D10/39
D651,100 S *	12/2011	Limousin et al. ....	D10/38
D667,735 S *	9/2012	Galli .....	D10/39

\* cited by examiner

*Primary Examiner* — Martie K Holtje

(74) *Attorney, Agent, or Firm* — Sughrue Mion, PLLC

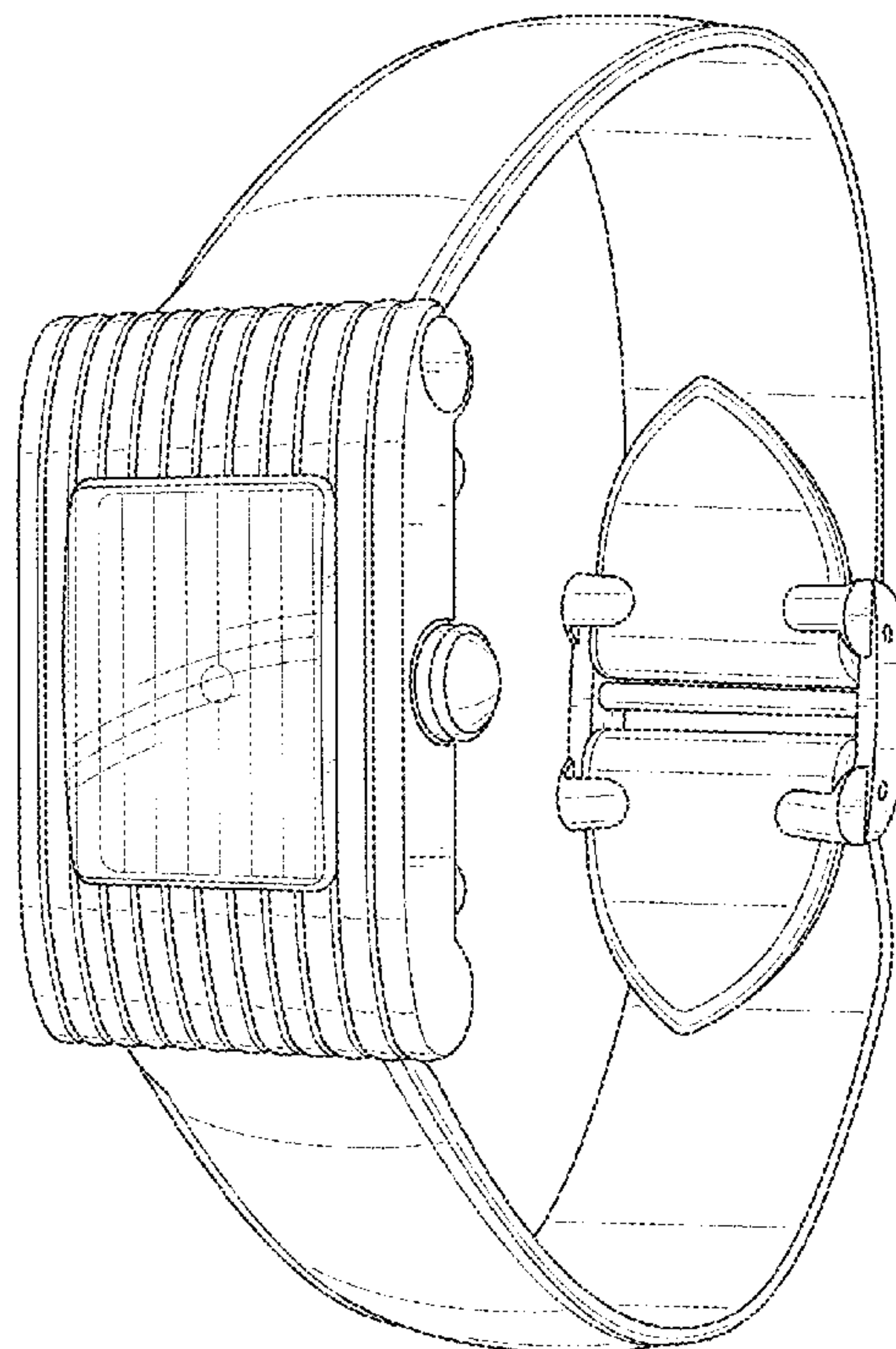
(57) **CLAIM**

The ornamental design for a wristwatch, as shown and described.

**DESCRIPTION**

FIG. 1 is a perspective view of the front and right side of a wristwatch showing my new design;  
FIG. 2 is a front elevational view thereof;  
FIG. 3 is a rear elevational view thereof;  
FIG. 4 is a left side elevational view thereof;  
FIG. 5 is a right side elevational view thereof;  
FIG. 6 is a top plan view thereof; and,  
FIG. 7 is a bottom plan view thereof.

**1 Claim, 7 Drawing Sheets**



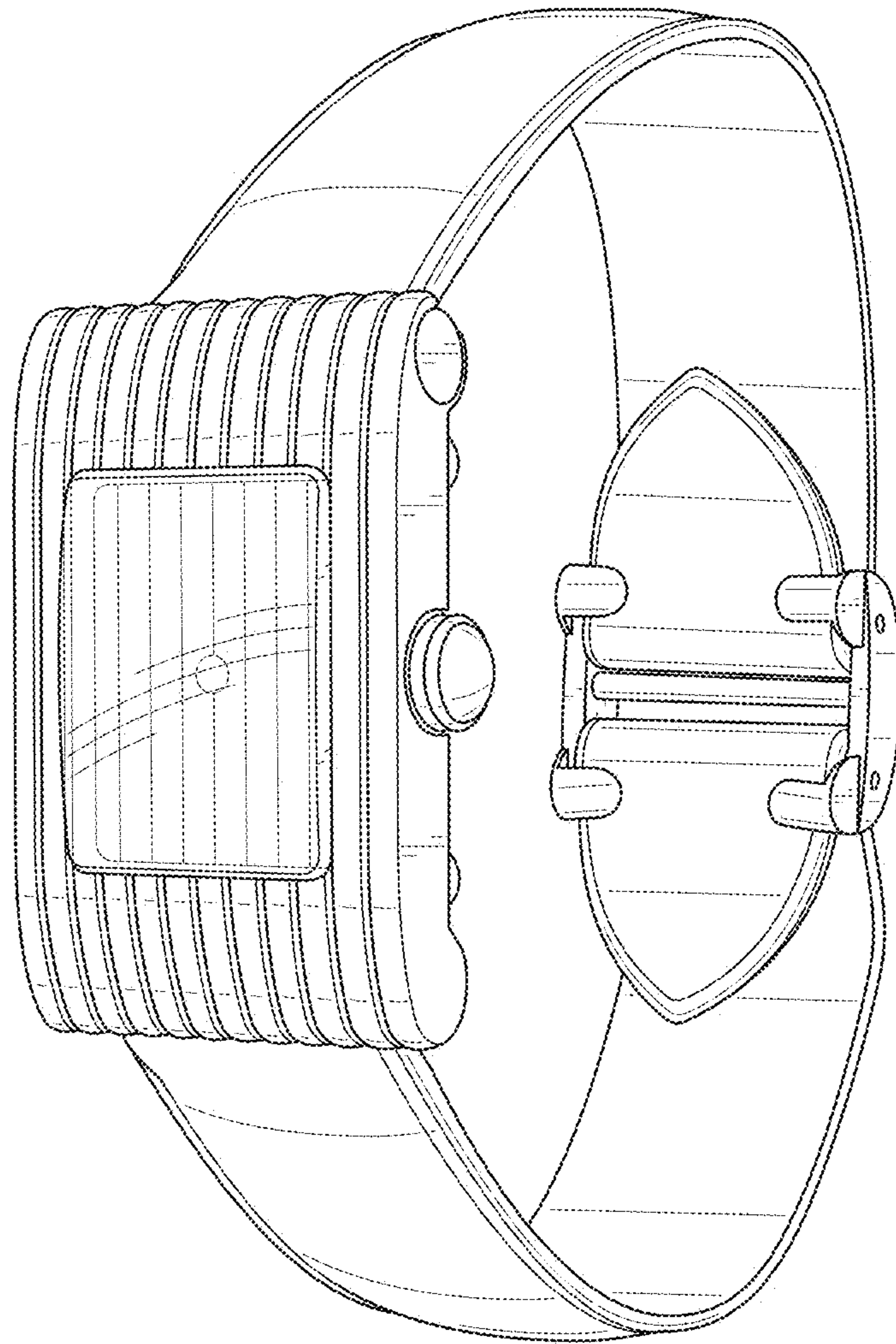


FIG. 1

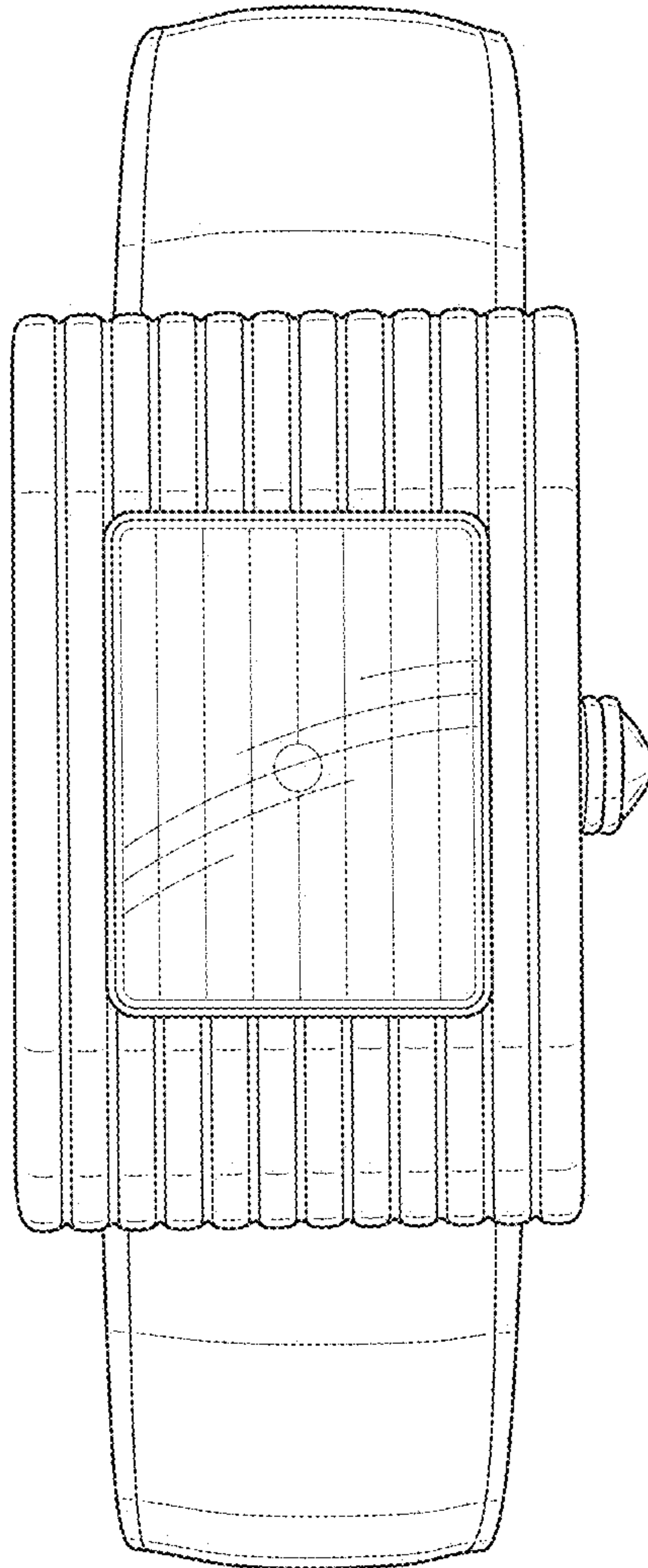


FIG. 2

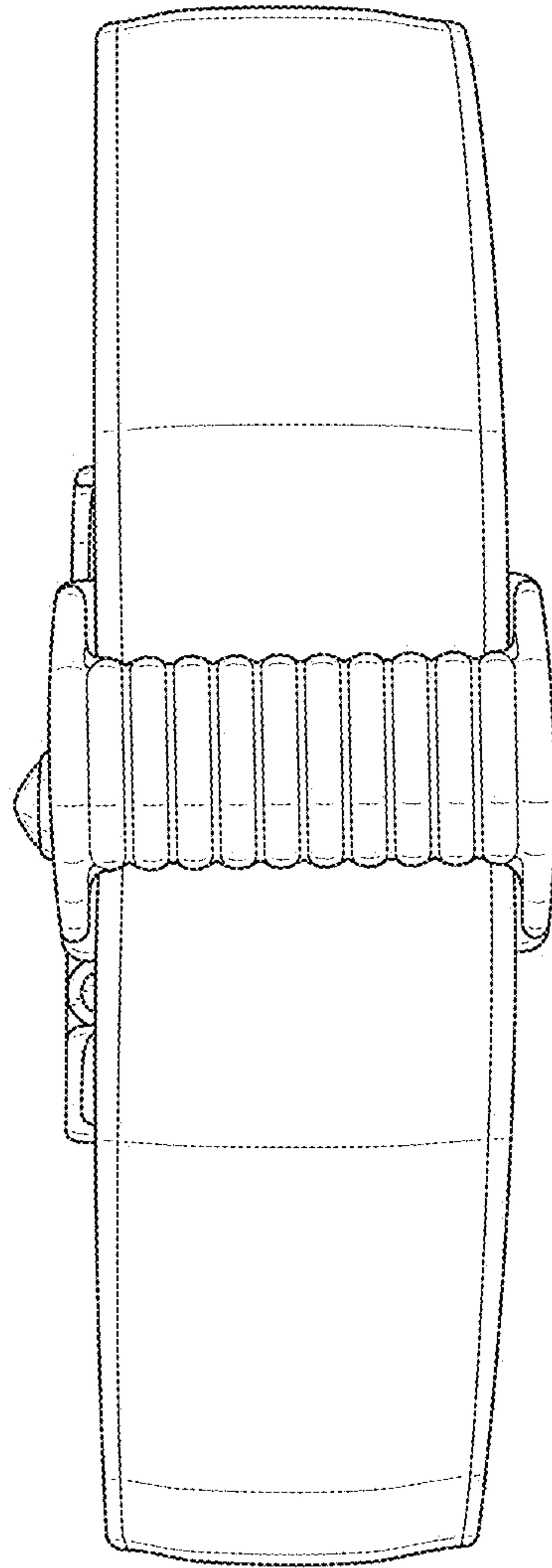


FIG. 3

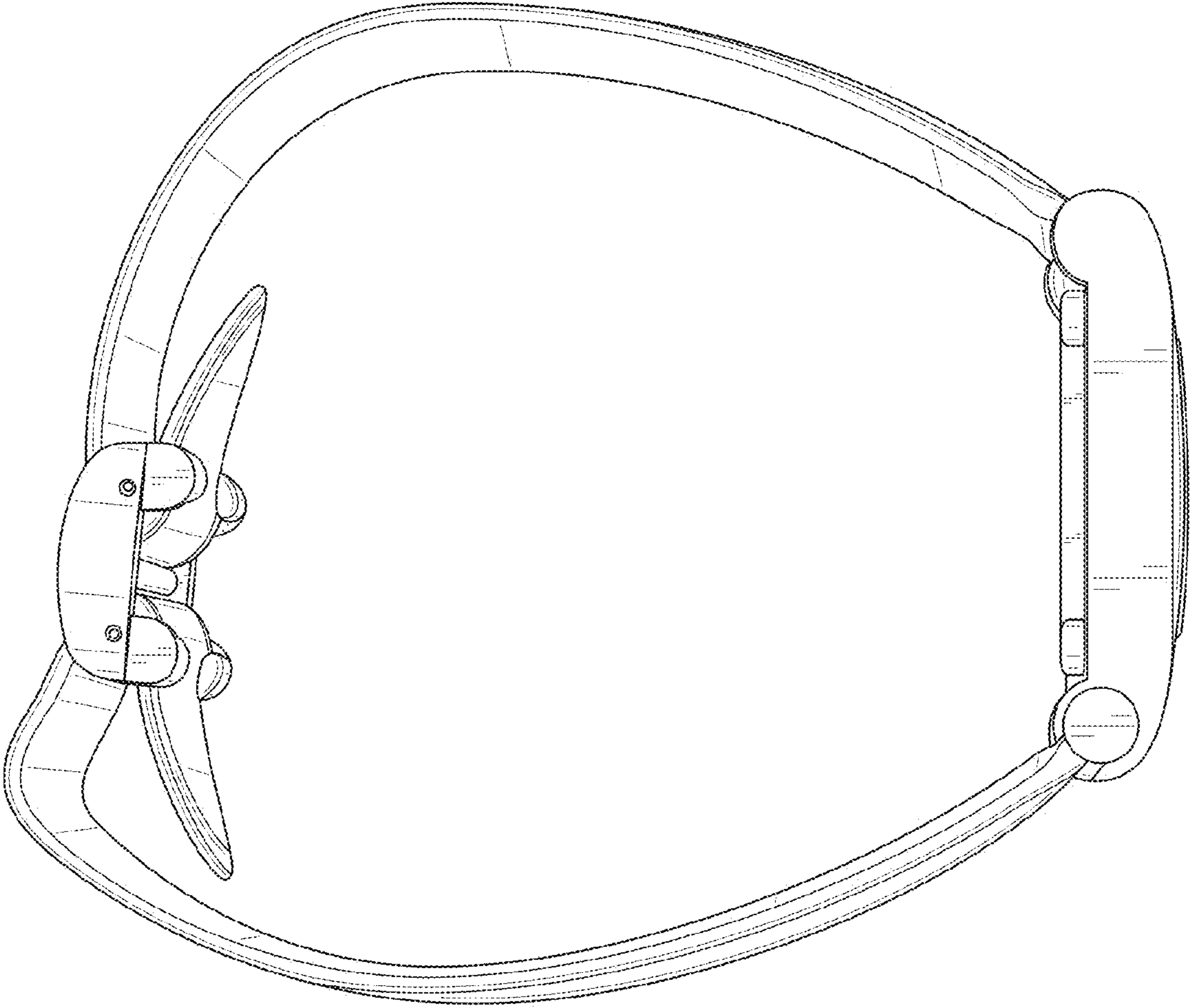


FIG. 4



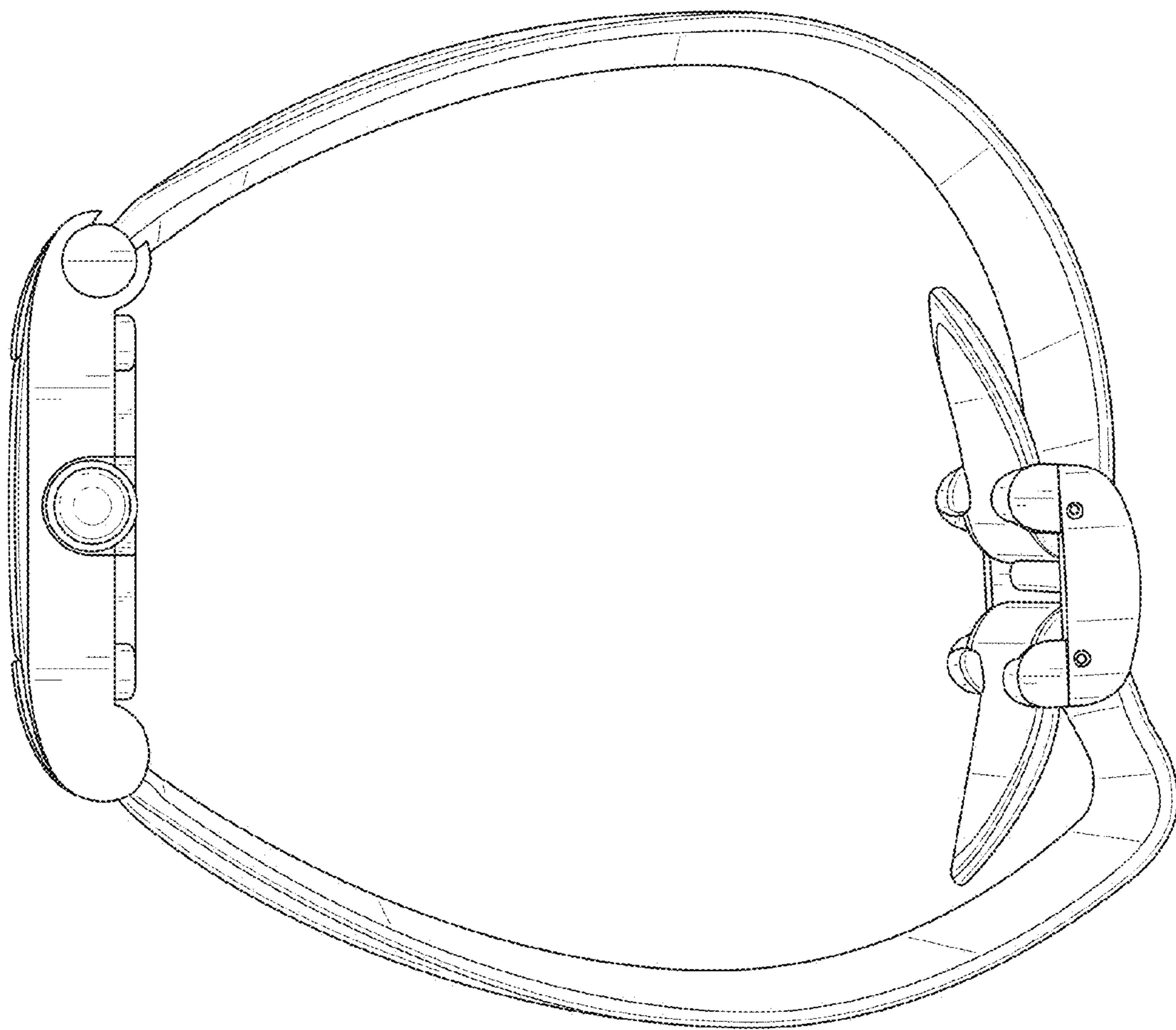


FIG. 5

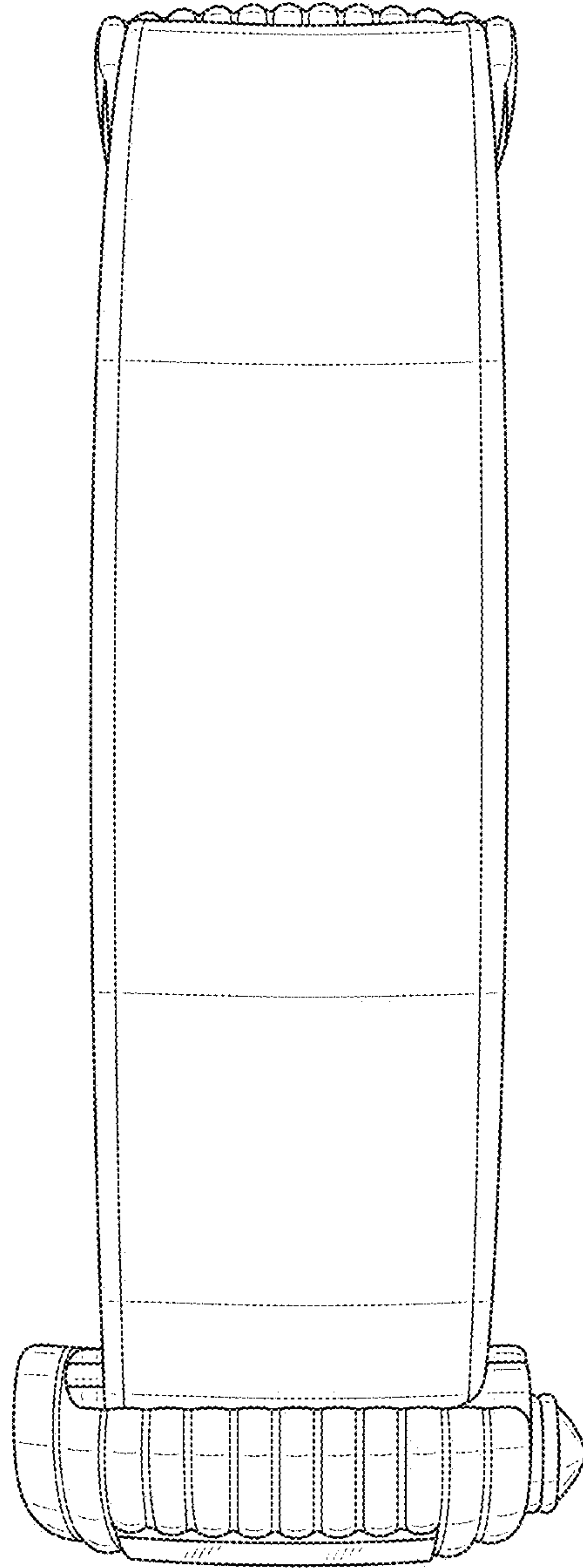


FIG. 6

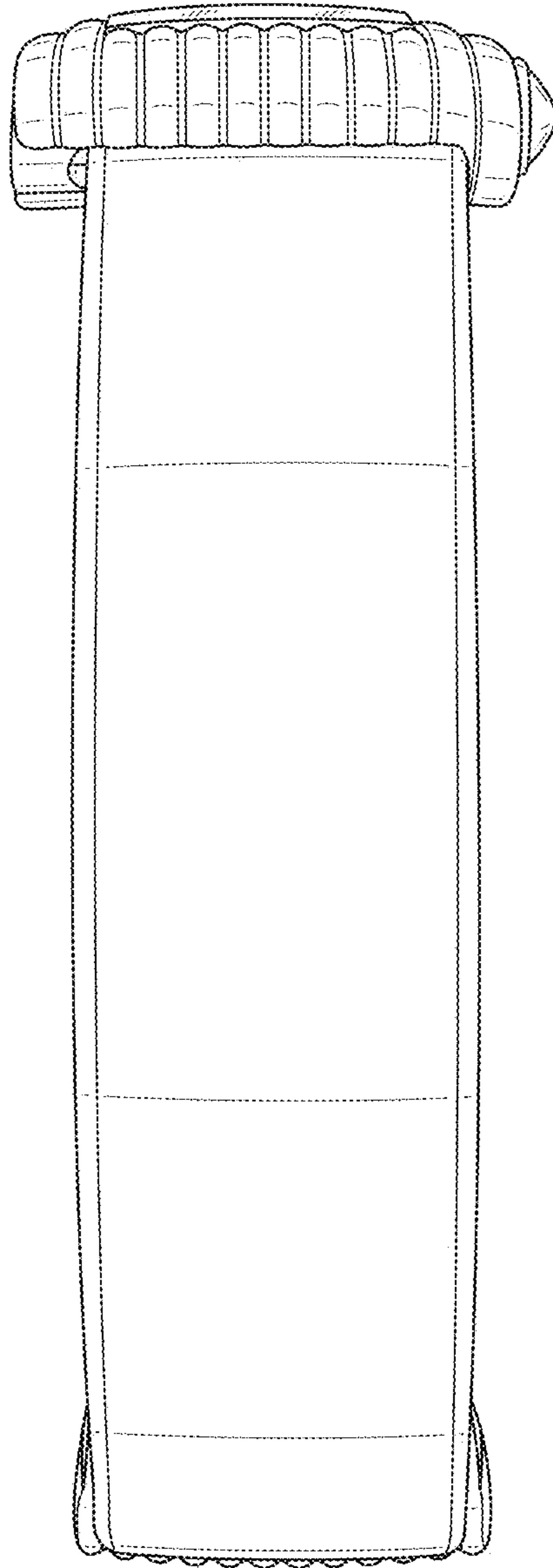


FIG. 7