



US00D740691S

(12) **United States Design Patent**  
**Milante**

(10) **Patent No.:** **US D740,691 S**  
(45) **Date of Patent:** **\*\* Oct. 13, 2015**

(54) **BLISTER ASSEMBLY FOR THE STORAGE AND DISTRIBUTION OF PILLS**

(71) Applicant: **Ecolopharm Inc.**, Chambly (CA)

(72) Inventor: **Sandrine Milante**, Chambly (CA)

(73) Assignee: **Ecolopharm Inc.**, Chambly (CA)

(\*\*) Term: **14 Years**

(21) Appl. No.: **29/468,604**

(22) Filed: **Oct. 1, 2013**

(30) **Foreign Application Priority Data**

May 2, 2013 (CA) ..... 150887

(51) **LOC (10) Cl.** ..... **09-01**

(52) **U.S. Cl.**  
USPC ..... **D9/732; D9/756**

(58) **Field of Classification Search**  
USPC ..... D9/730, 732, 737, 748, 749, 754, 755,  
D9/700, 686, 688, 689, 390, 424, 425, 434,  
D9/435, 454, 456; D3/281, 201, 203.1,  
D3/203.2, 203.3, 203.4, 203.5, 203.6,  
D3/203.7, 203.8, 205, 273, 275, 294, 302;  
206/531, 536; D24/104, 226, 229, 230  
CPC ..... A61J 7/02; A61J 7/03; A61J 7/035;  
A61J 7/04; B65D 75/327; B65D 75/527;  
B65D 83/0455; B65D 83/0481; B65D  
83/0463; B65D 2215/02  
See application file for complete search history.

(56) **References Cited**

**U.S. PATENT DOCUMENTS**

3,494,322 A 2/1970 Dubbels  
4,311,234 A \* 1/1982 Wildgoose ..... 206/354  
4,574,954 A 3/1986 Reid  
4,664,262 A 5/1987 White

4,693,371 A 9/1987 Malpass  
4,988,004 A 1/1991 Intini  
5,014,851 A 5/1991 Wick  
D323,109 S \* 1/1992 Kalvelage ..... D9/732  
D387,977 S \* 12/1997 Kallgren ..... D9/732  
5,788,079 A 8/1998 Bouthiette  
5,791,478 A \* 8/1998 Kalvelage et al. .... 206/531  
6,021,623 A 2/2000 Bouthiette  
D421,900 S \* 3/2000 Eneroth et al. .... D9/732  
6,253,920 B1 \* 7/2001 Kallgren ..... 206/532  
6,382,420 B1 \* 5/2002 Bouthiette ..... 206/534  
6,802,422 B2 10/2004 Kalvelage  
D499,642 S \* 12/2004 Karim ..... D9/732  
D513,019 S \* 12/2005 Lion et al. .... D15/90  
6,973,371 B1 \* 12/2005 Benouali ..... 700/244

(Continued)

**FOREIGN PATENT DOCUMENTS**

CA 2264339 A1 \* 5/1999 ..... A61J 1/03  
CA 2815013 A1 \* 11/2014 ..... A61J 1/03

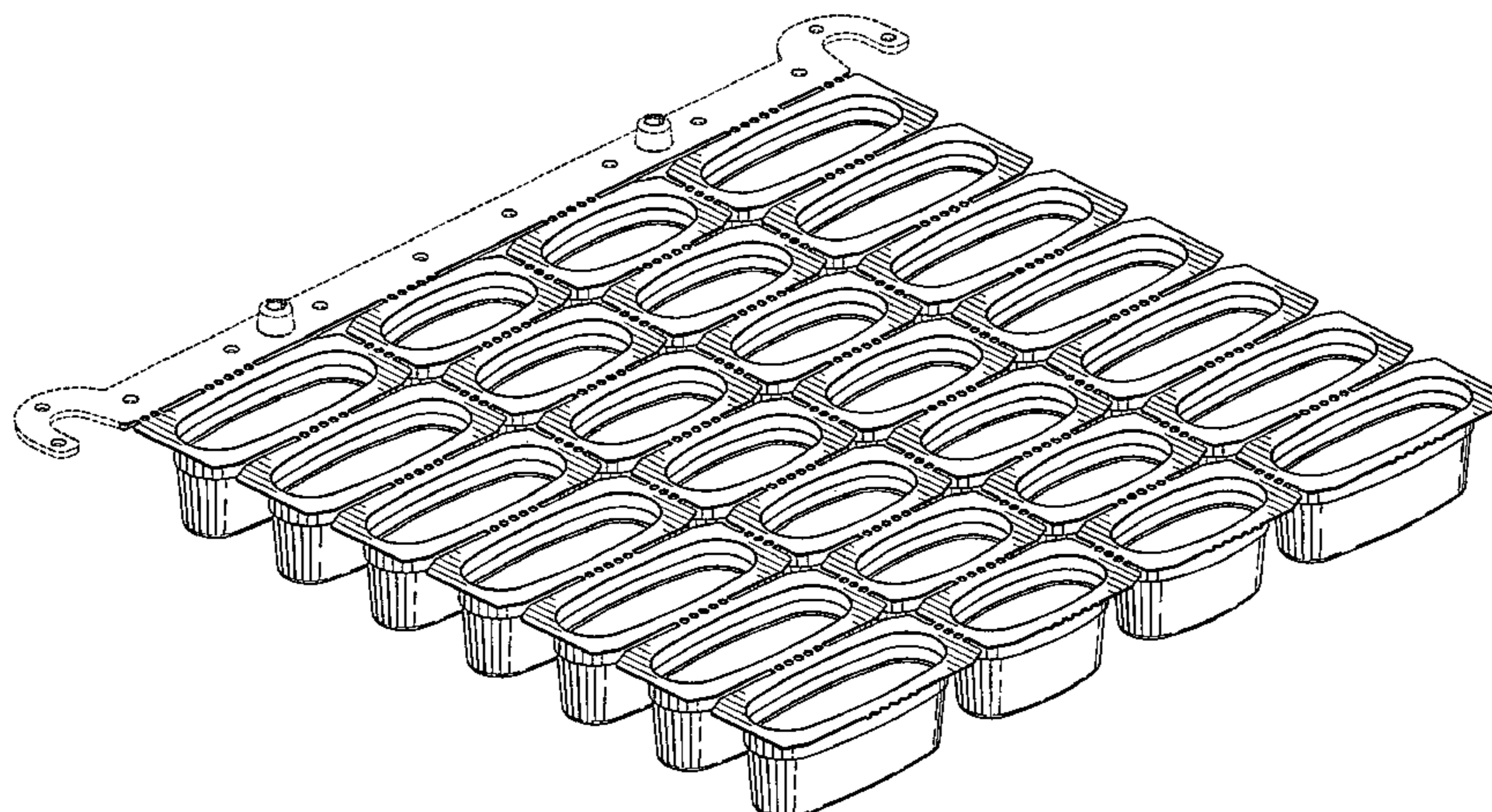
*Primary Examiner* — Susan Bennett Hattan  
*Assistant Examiner* — Marie Fast Horse  
(74) *Attorney, Agent, or Firm* — Agence de Brevets Fournier

(57) **CLAIM**  
The ornamental design for a blister assembly for the storage and distribution of pills, as shown.

**DESCRIPTION**

FIG. 1 is a perspective view of the blister assembly according to the present design;  
FIG. 2 is a top plan view of the blister assembly from FIG. 1;  
FIG. 3 is a bottom plan view of the blister assembly from FIG. 1;  
FIG. 4 is a side elevation of the blister assembly from FIG. 1;  
FIG. 5 is a front elevational view of the blister assembly from FIG. 1; and,  
FIG. 6 is a rear elevational view of the blister assembly from FIG. 1.

**1 Claim, 4 Drawing Sheets**



(56)

**References Cited**

U.S. PATENT DOCUMENTS

D528,013	S *	9/2006	Hines	.....	D9/732	7,828,149	B2	11/2010	Kalvelage	
7,210,580	B2	5/2007	Elliott			D650,637	S *	12/2011	Lasky et al.	..... D7/602
7,308,984	B2 *	12/2007	Bouthiette	.....	206/538	D659,019	S *	5/2012	Specker et al.	..... D9/732
D558,603	S	1/2008	Priebe			8,181,784	B2 *	5/2012	Bouthiette	..... 206/534
7,328,802	B2	2/2008	Killinger			8,375,885	B2 *	2/2013	Marks et al.	..... 118/300
7,451,876	B2	11/2008	Bossi			D685,272	S *	7/2013	Stevens	..... D9/732
7,454,880	B1	11/2008	Austin			D695,134	S *	12/2013	Priebe et al.	..... D9/732
7,543,709	B2 *	6/2009	Bouthiette	.....	206/532	8,607,983	B2 *	12/2013	Niven et al.	..... 206/538
7,661,530	B1	2/2010	Hewitt			8,757,381	B2 *	6/2014	Bouthiette	..... 206/534
D622,158	S *	8/2010	Proulx	.....	D9/732	2005/0256830	A1	11/2005	Siegel	
7,779,614	B1 *	8/2010	McGonagle et al.	.....	53/474	2008/0023366	A1 *	1/2008	Bouthiette	..... 206/532
						2014/0305833	A1 *	10/2014	Milante	..... 206/531
						2014/0326634	A1 *	11/2014	Milante	..... 206/531
						2015/0034524	A1 *	2/2015	Bouthiette et al.	..... 206/534

\* cited by examiner

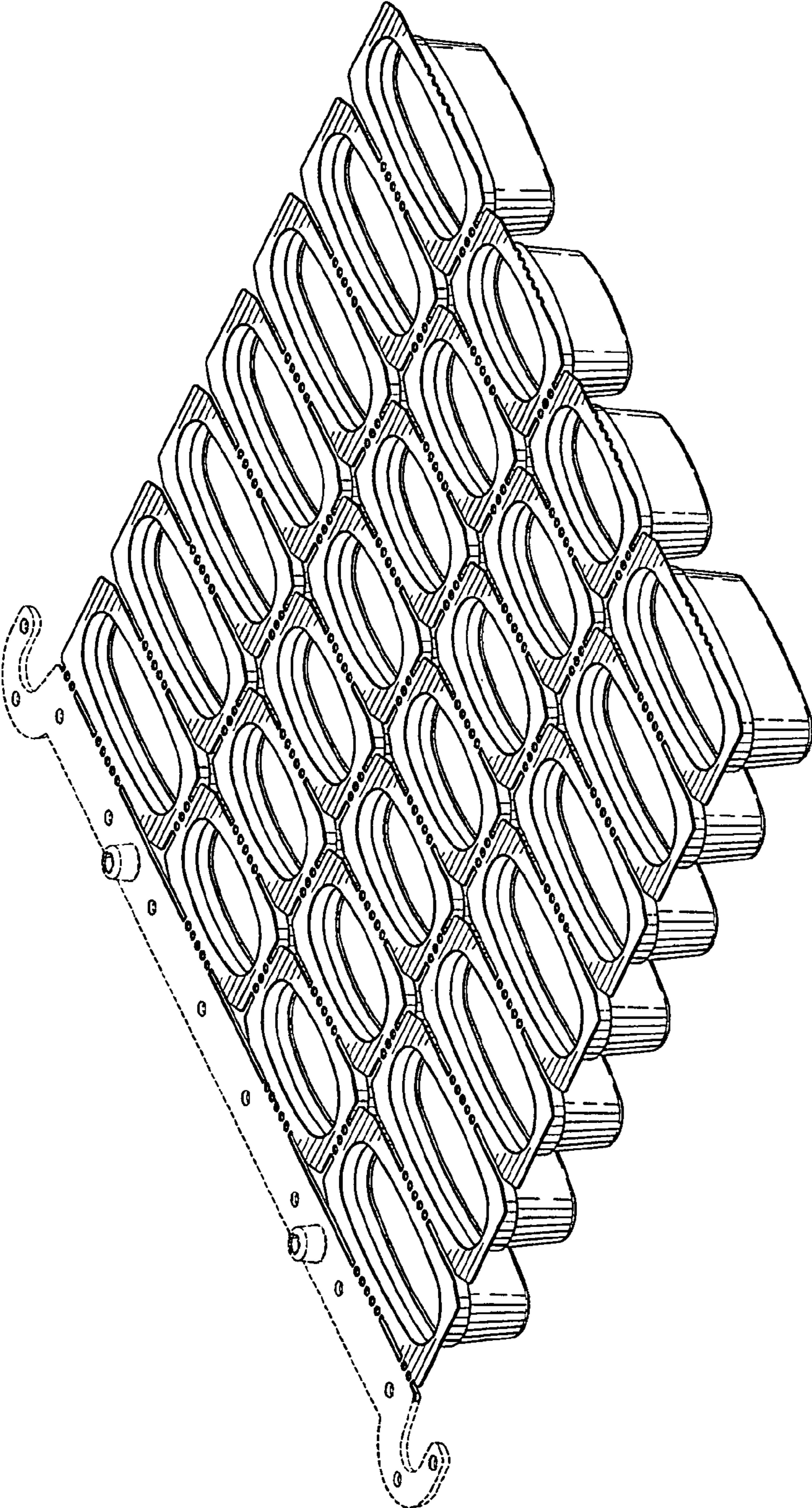
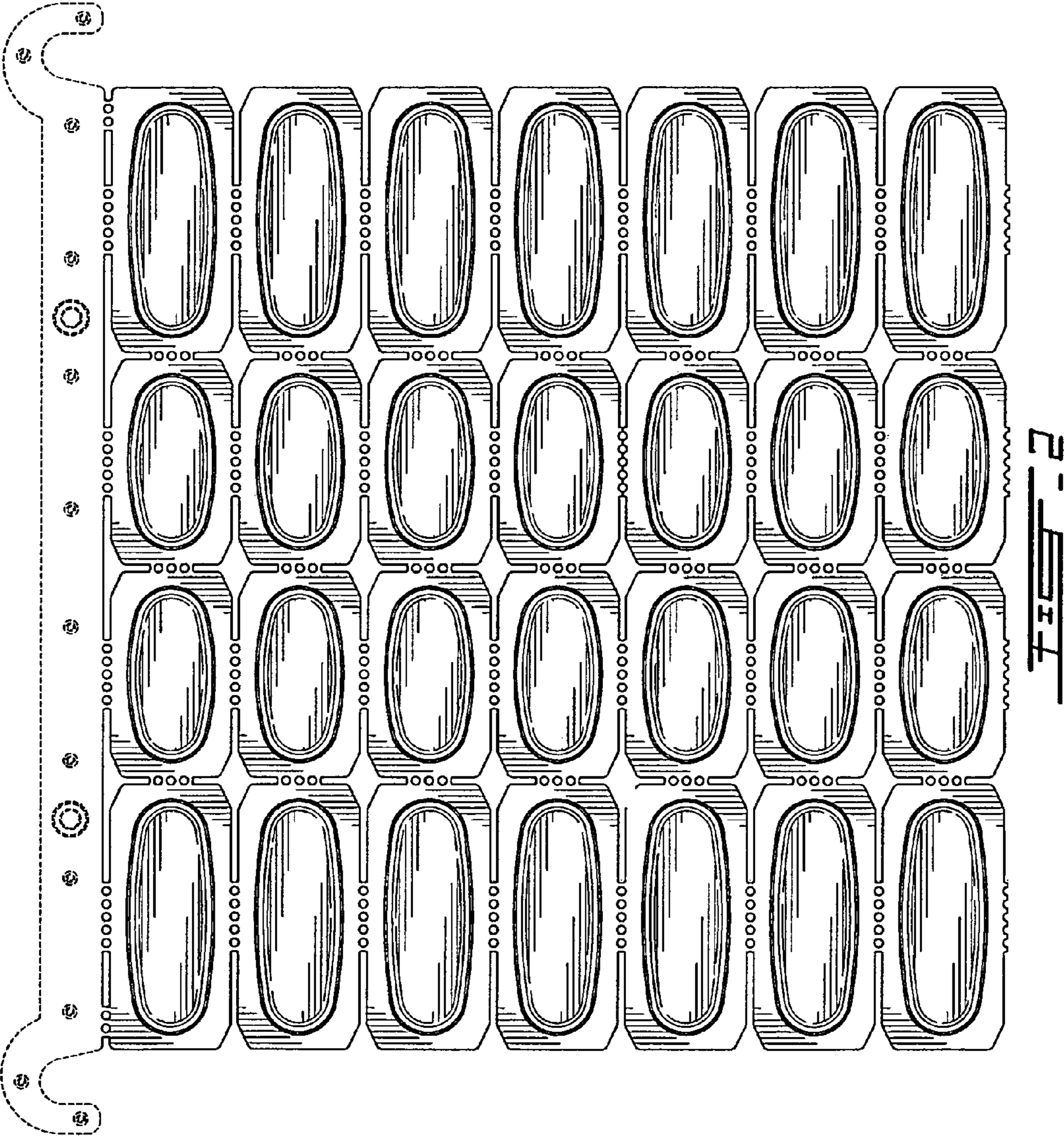
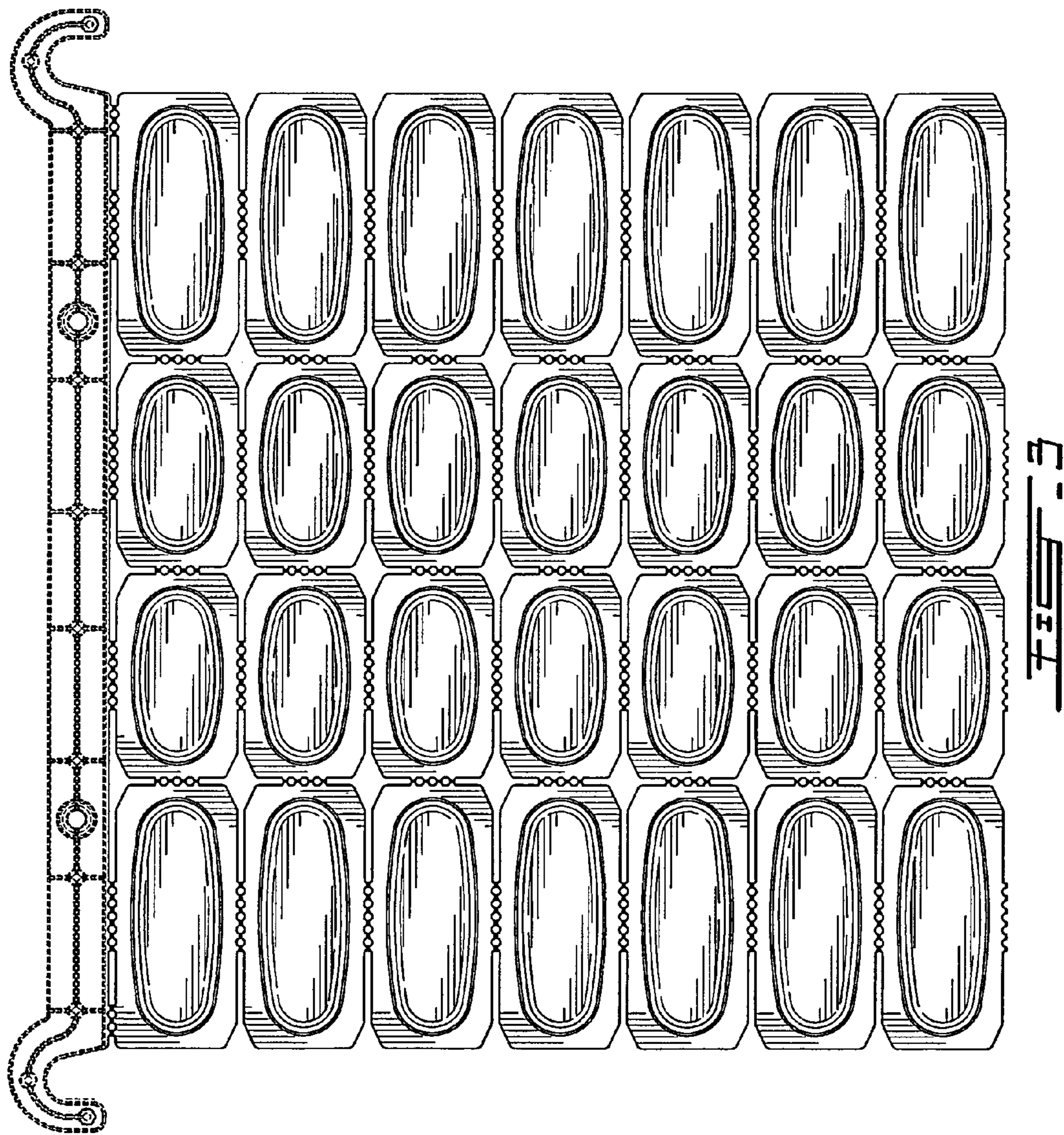


FIG. 1





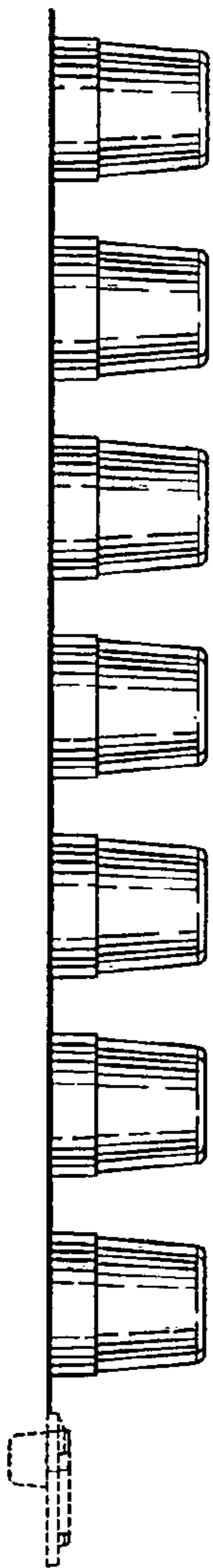


FIG. 4

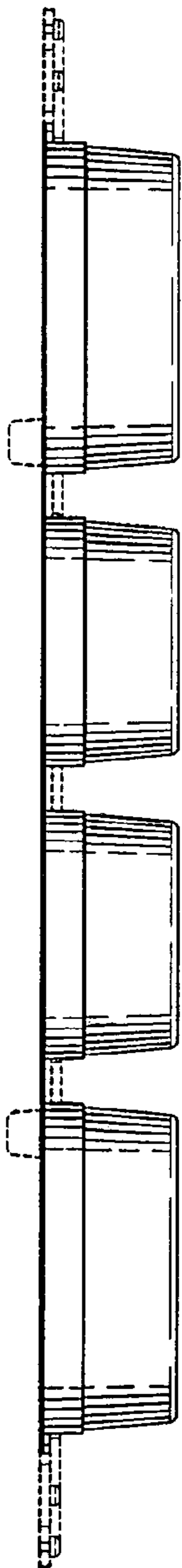


FIG. 5

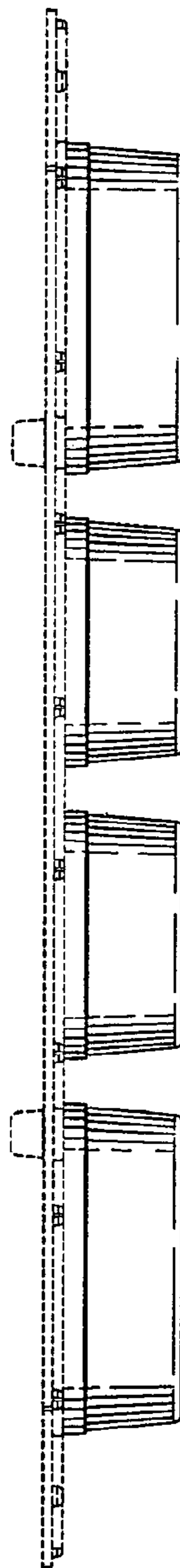


FIG. 6