



US00D740690S

(12) **United States Design Patent**
Glass et al.

(10) **Patent No.:** **US D740,690 S**
(45) **Date of Patent:** **** Oct. 13, 2015**

(54) **GIFT BAG FOR HOLDING COFFEE, A
STORED VALUE CARD, AND A MESSAGE
CARD SLIDER**

(71) Applicant: **Gift Card Impressions, LLC**, Kansas
City, MO (US)

(72) Inventors: **Brett R. Glass**, Kansas City, MO (US);
Nicole E. Glass, Kansas City, MO (US)

(73) Assignee: **Gift Card Impressions, LLC**, Kansas
City, MO (US)

(**) Term: **14 Years**

(21) Appl. No.: **29/491,257**

(22) Filed: **May 19, 2014**

(51) **LOC (10) Cl.** **09-01**

(52) **U.S. Cl.**
USPC **D9/722**

(58) **Field of Classification Search**
USPC D9/414, 415, 418, 426, 432, 433, 455,
D9/457, 715, 722, 737, 759; D3/201, 205,
D3/206, 273, 274, 283, 298, 290; 206/214,
206/215, 224, 232, 318, 424, 425, 515, 518,
206/525, 751-756, 758, 763, 765, 767;
229/117.23, 102.5, 103, 116.1, 120.02,
229/120.06, 120.07, 120.33, 124, 125.01,
229/125.08, 125.125
CPC B65D 5/4204; B65D 5/4208; B65D 5/52;
B65D 5/48024; B65D 5/42; B65D 5/4233;
B65D 5/4216; B65D 5/72; B65D 5/205;
B65D 5/48; B65D 5/522; B65D 2543/00537;
B65D 25/04; B65D 25/00; B65D 25/22;
B65D 85/00; B65D 75/56; B65D 75/54

See application file for complete search history.

(56) **References Cited**

U.S. PATENT DOCUMENTS

D227,081	S	*	6/1973	Alexander	D9/415
D335,032	S	*	4/1993	Durkin, III	D4/199
D355,598	S	*	2/1995	Aronhalt	D9/415
D355,848	S	*	2/1995	Ivansons et al.	D9/415
D360,130	S	*	7/1995	Lackman et al.	D9/415
6,070,719	A		6/2000	Pollock		
D538,676	S	*	3/2007	Millen	D9/642
D567,646	S	*	4/2008	Ballard	D9/415
D704,569	S	*	5/2014	Partrat	D9/722
2006/0062494	A1		3/2006	Aptekar		
2006/0196787	A1		9/2006	Lewis		
2010/0230306	A1*		9/2010	Dana	206/308.1
2012/0187018	A1*		7/2012	Maglio et al.	206/524.4
2012/0193247	A1*		8/2012	Fleet	206/215
2013/0283654	A1		10/2013	Rubin		
2014/0319021	A1*		10/2014	Skarin	206/755

* cited by examiner

Primary Examiner — Derrick Holland

Assistant Examiner — Lauren Calve

(74) *Attorney, Agent, or Firm* — Polsinelli PC

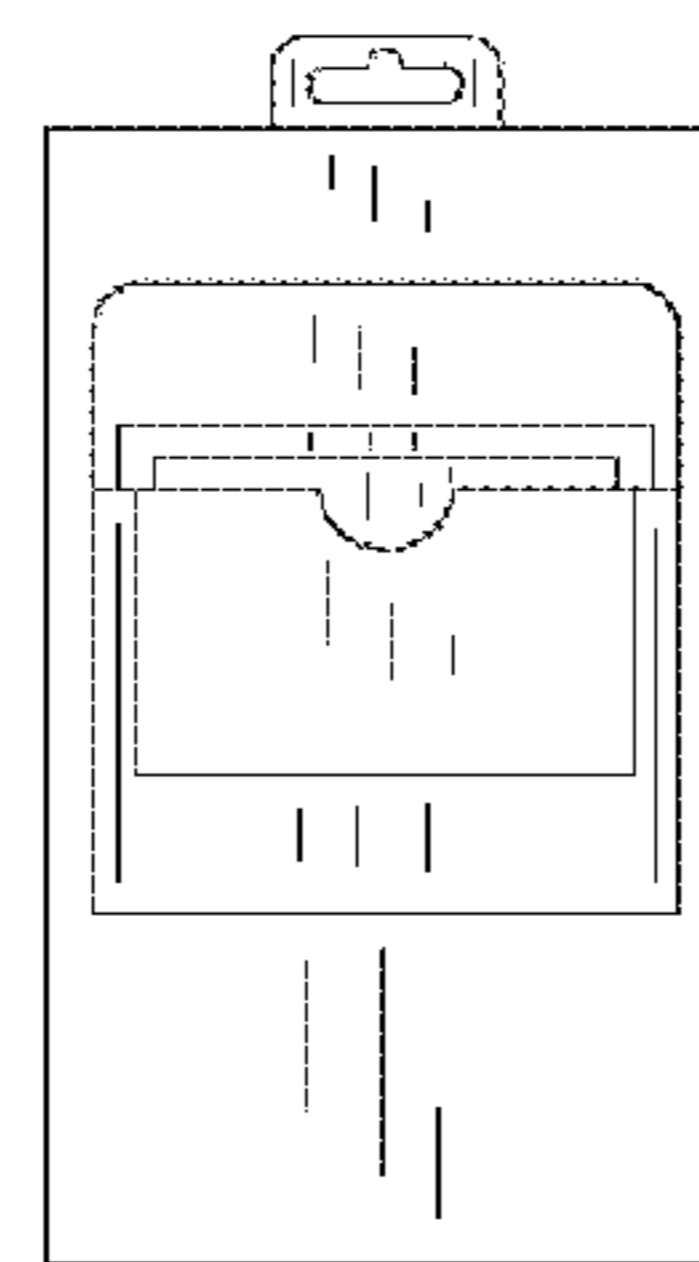
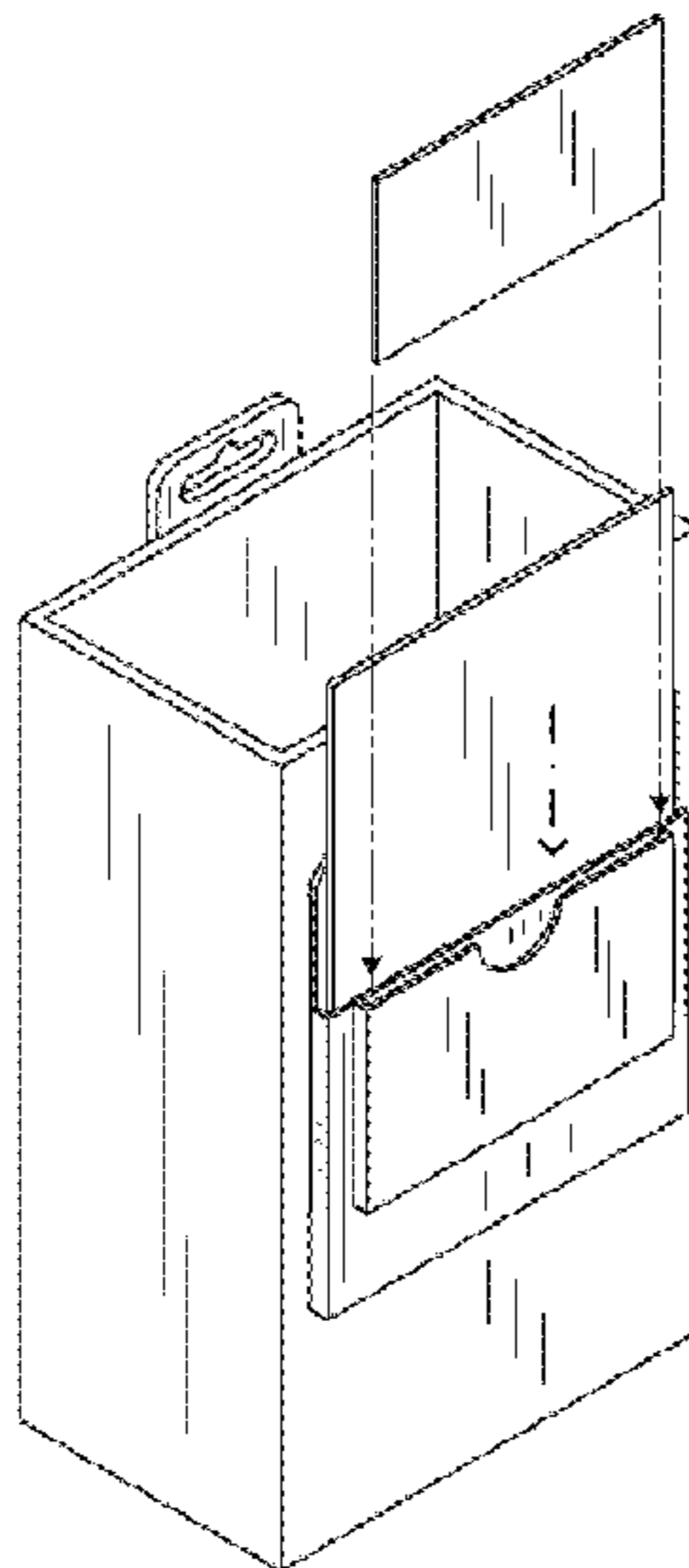
(57) **CLAIM**

The ornamental design for a gift bag for holding coffee, a stored value card, and a message card slider, as shown and described.

DESCRIPTION

FIG. 1 is an exploded perspective view of a gift bag for holding coffee, a stored value card, and a message card slider according to the present invention; FIG. 2 is a front elevation view thereof; FIG. 3 is a rear elevation view thereof; FIG. 4 is a right elevation view thereof; FIG. 5 is a left elevation view thereof; FIG. 6 is a top plan view thereof; and, FIG. 7 is a bottom plan view thereof. The broken dash-dot-dot and dash-dot-dash lines and arrows shown in FIG. 1 correspond to the direction of the exploded articles and form no part of the claimed design.

1 Claim, 2 Drawing Sheets



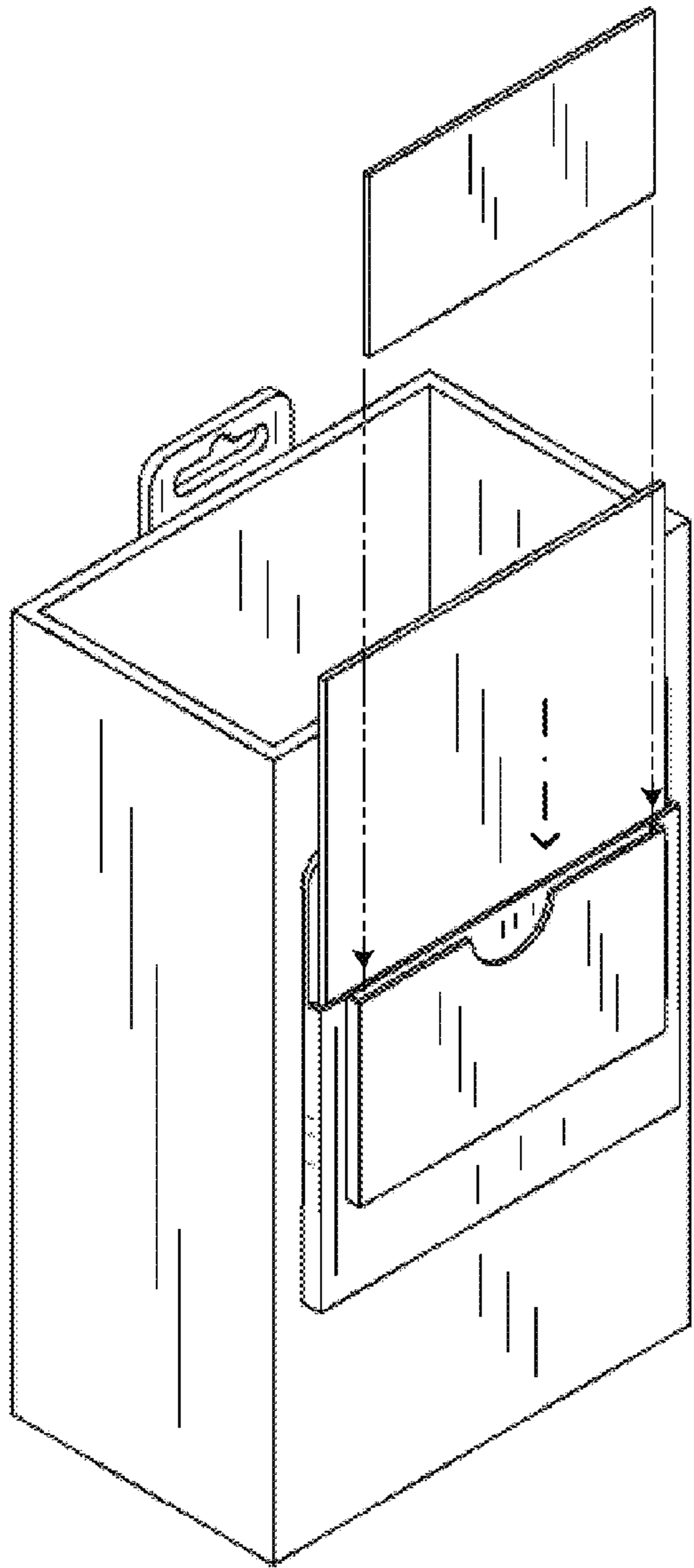


FIG. 1

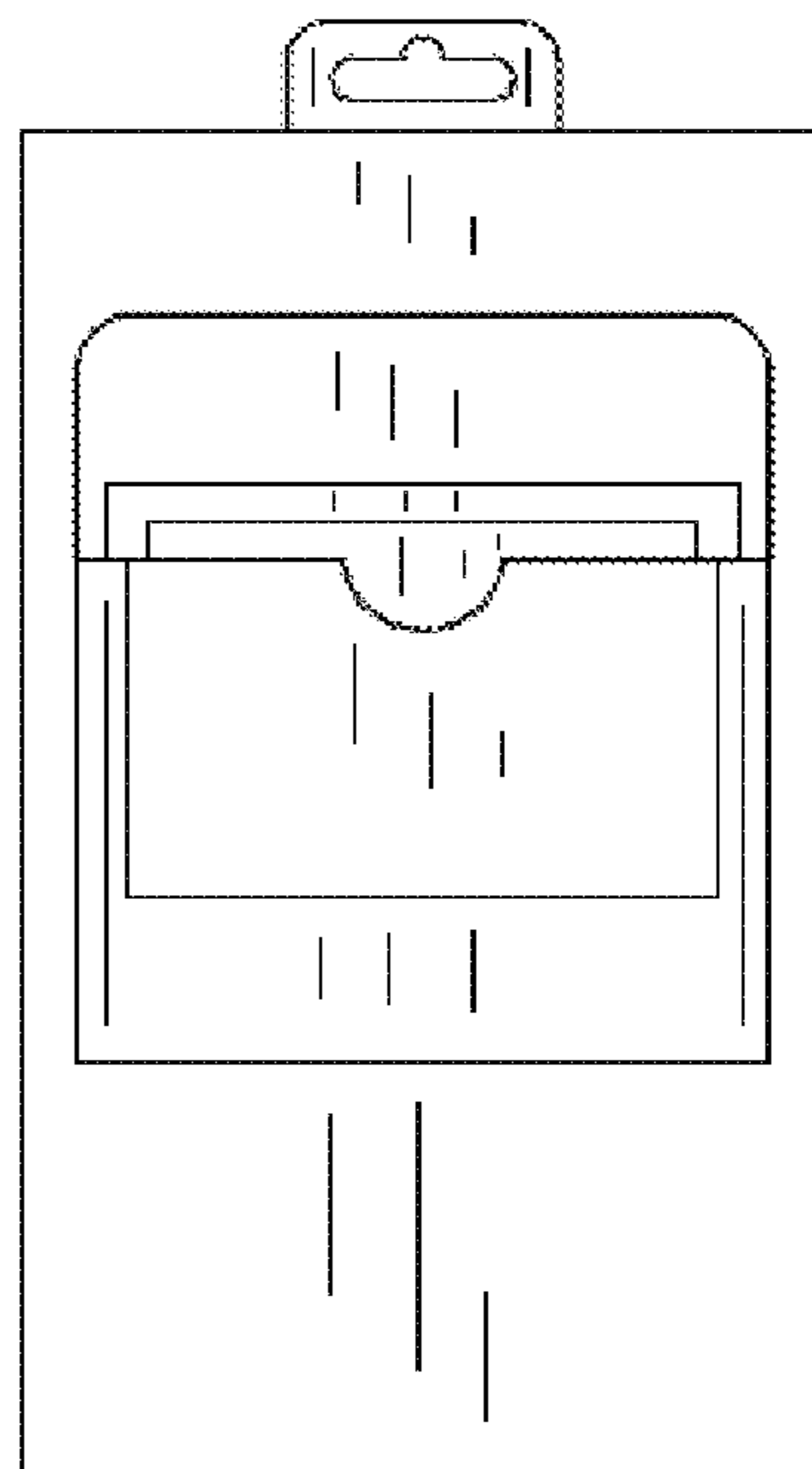


FIG. 2

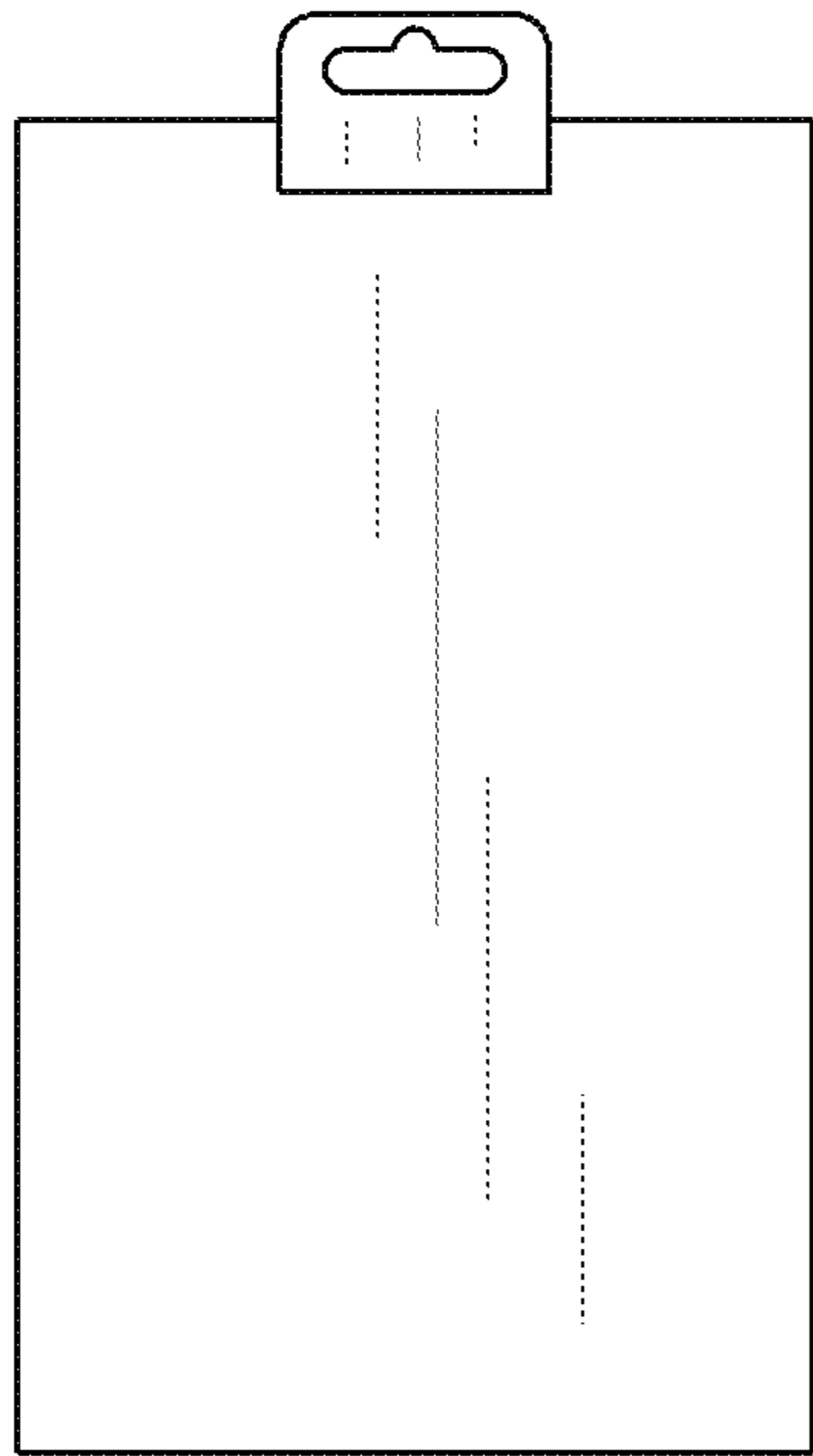


FIG. 3

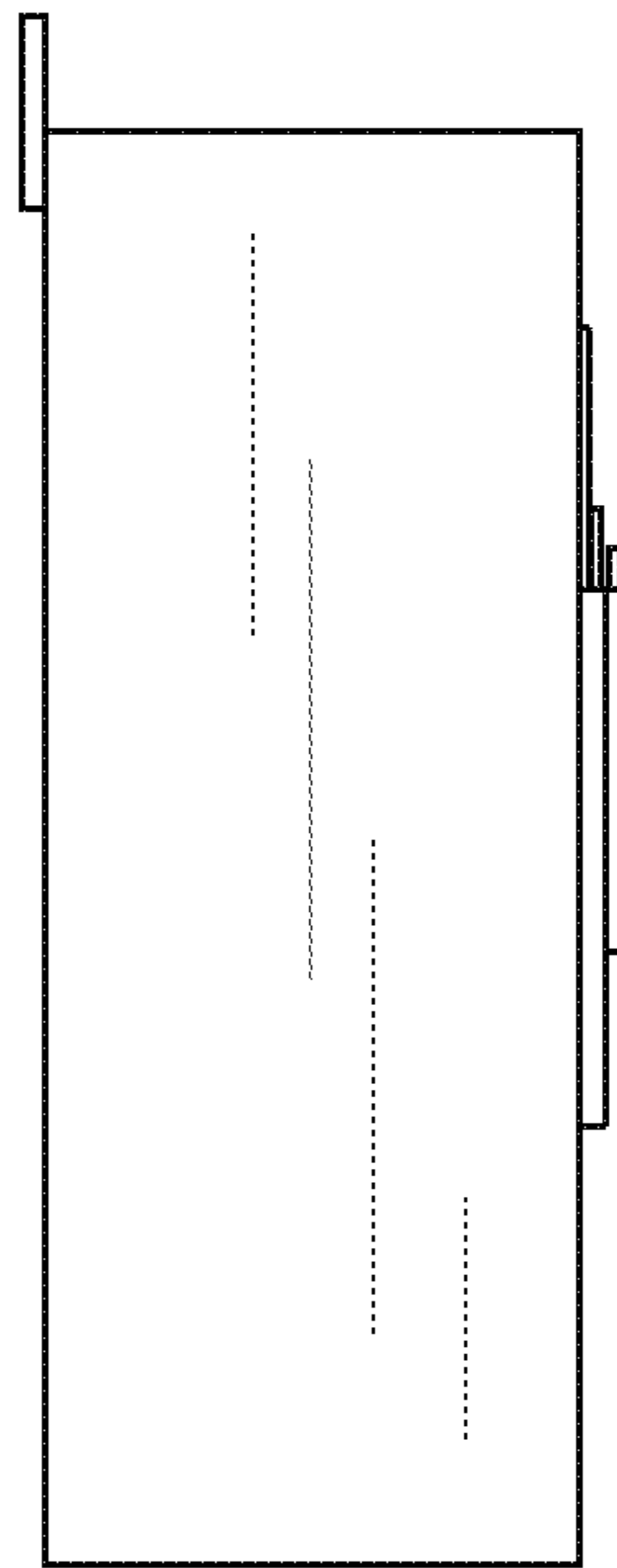


FIG. 4

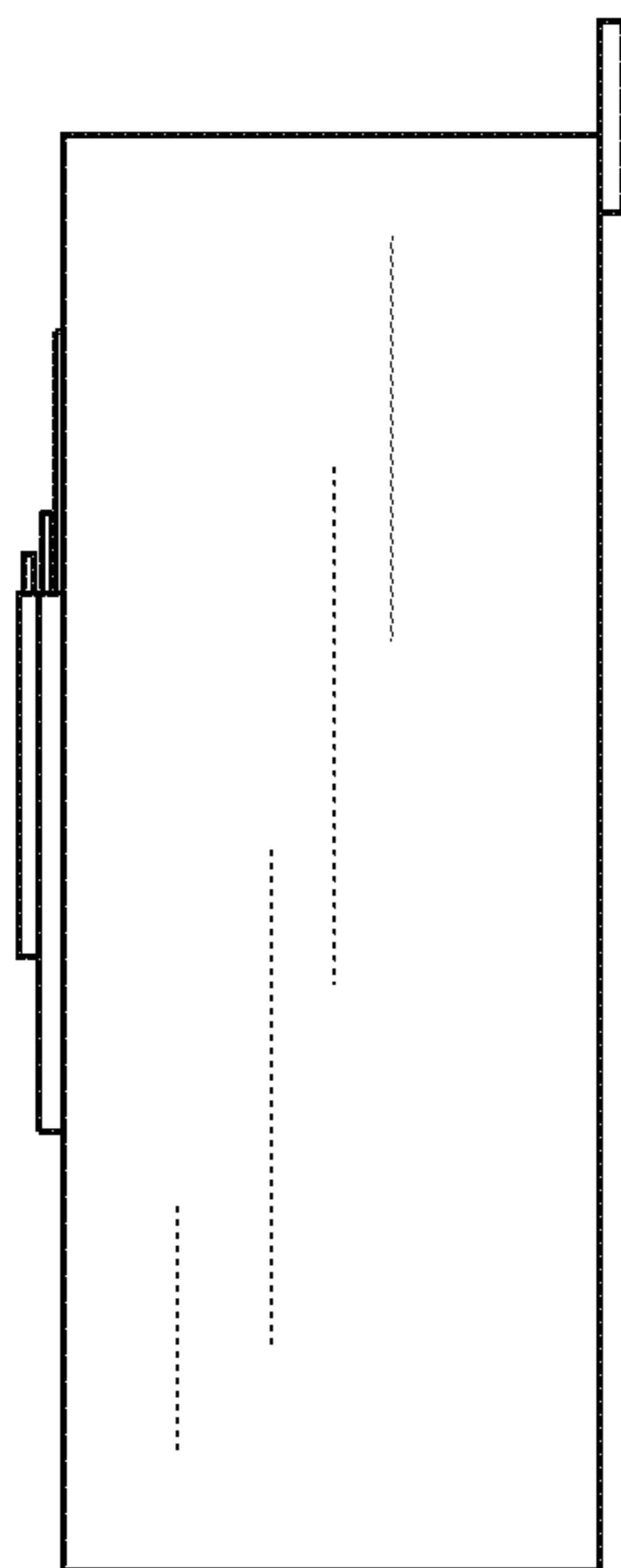


FIG. 5

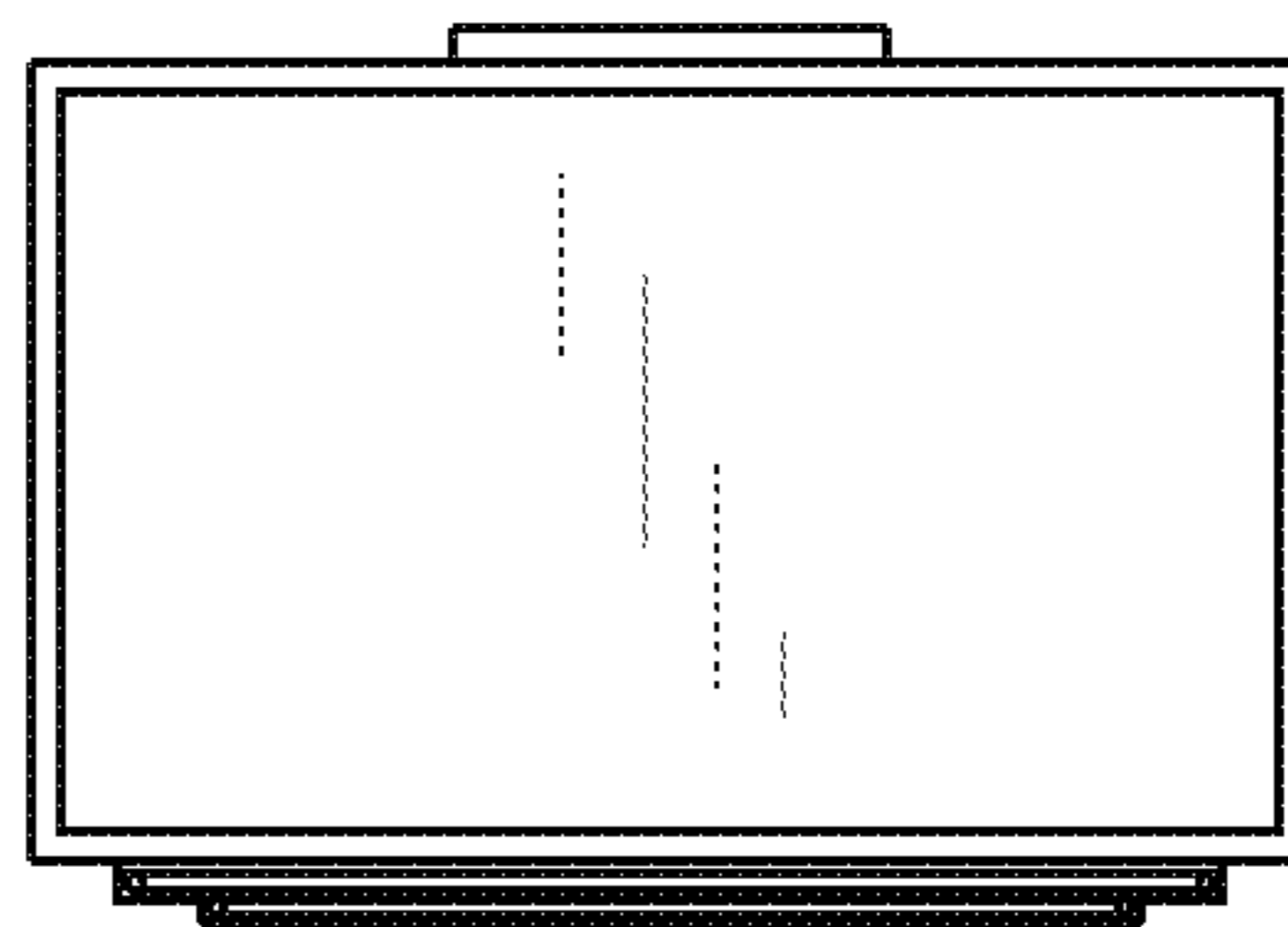


FIG. 6

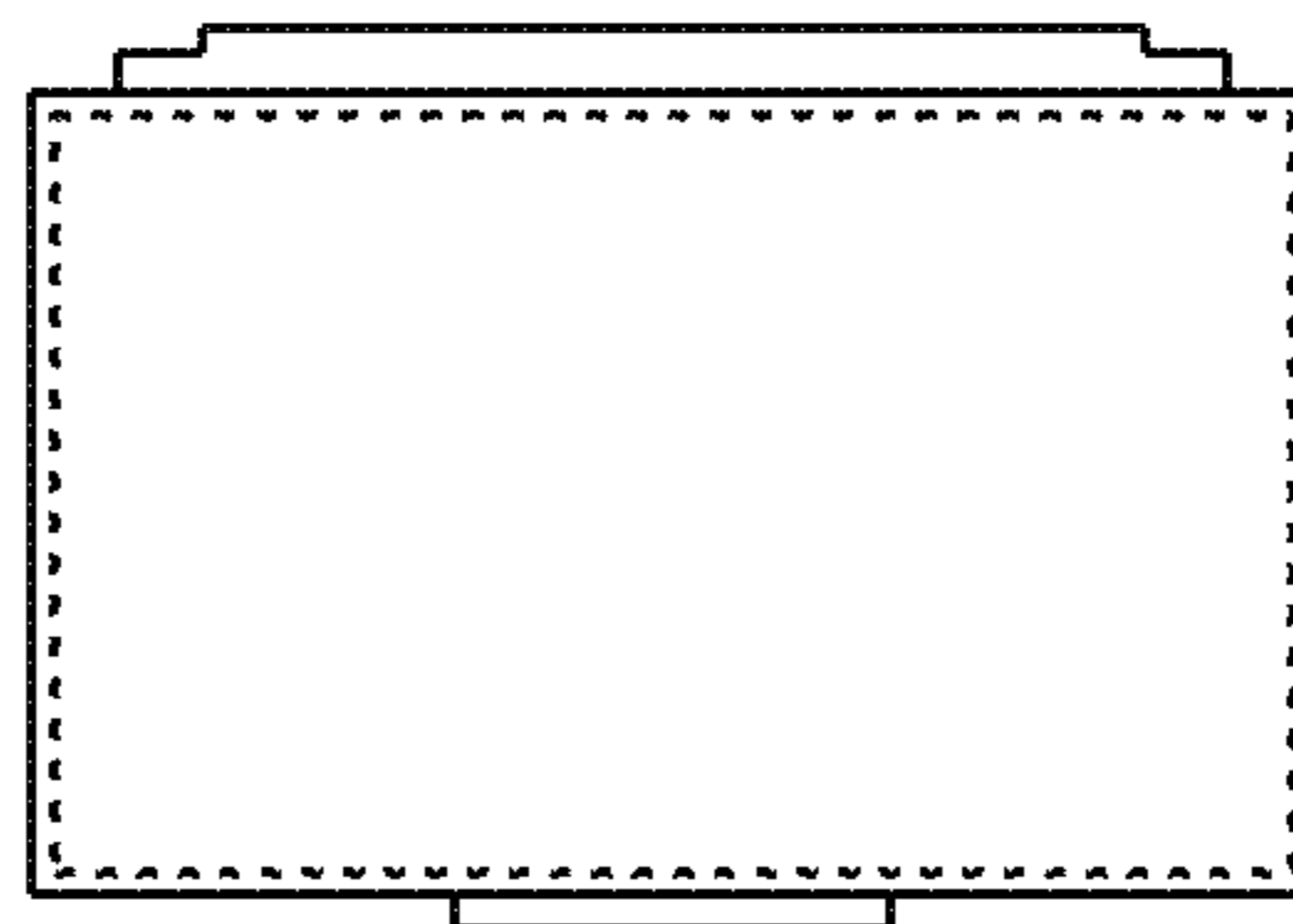


FIG. 7