



US00D740689S

(12) **United States Design Patent**
Ronga et al.

(10) **Patent No.:** **US D740,689 S**

(45) **Date of Patent:** **** Oct. 13, 2015**

(54) **PACKAGED APPARATUS FOR INJECTING
FLUID IN AIR CONDITIONING OR
REFRIGERATION SYSTEMS**

6,186,197	B1	2/2001	Trigiani	
6,253,810	B1	7/2001	Trigiani	
6,293,319	B1	9/2001	Trigiani	
D453,901	S *	2/2002	Shepperson	D9/748
8,584,853	B2 *	11/2013	Knight et al.	206/439
2010/0181218	A1 *	7/2010	Beccaro et al.	206/365
2014/0188001	A1 *	7/2014	Miller et al.	600/567

(71) Applicant: **Errecom S.r.l.**, Corzano (IT)

(72) Inventors: **Luca Ronga**, Corzano (IT); **Nicola Ronga**, Corzano (IT)

(73) Assignee: **Errecom S.r.l.**, Corzano (IT)

(**) Term: **14 Years**

(21) Appl. No.: **29/484,918**

(22) Filed: **Mar. 14, 2014**

(51) **LOC (10) Cl.** **09-01**

(52) **U.S. Cl.**
USPC **D9/722**

(58) **Field of Classification Search**
USPC D9/414, 424, 425, 715, 722, 732;
D24/223, 229; 206/207, 210, 364, 365,
206/366, 370, 372, 571, 767, 770, 771

See application file for complete search history.

(56) **References Cited**

U.S. PATENT DOCUMENTS

4,166,533	A *	9/1979	Maitland	206/366
4,184,593	A *	1/1980	Dorr	206/365
D275,180	S *	8/1984	Bakus	D9/722
4,811,847	A *	3/1989	Reif et al.	206/571
4,886,071	A *	12/1989	Mehl et al.	600/573
5,826,636	A	10/1998	Trigiani	
6,050,310	A	4/2000	Trigiani	

FOREIGN PATENT DOCUMENTS

WO 98-12109 A1 3/1998

* cited by examiner

Primary Examiner — Derrick Holland

Assistant Examiner — Lauren Calve

(74) *Attorney, Agent, or Firm* — Kilyk & Bowersox, P.L.L.C.

(57) **CLAIM**

The ornamental design for a packaged apparatus for injecting fluid in air conditioning or refrigeration systems, as shown and described.

DESCRIPTION

FIG. 1 is a front perspective view of a packaged apparatus for injecting fluid in air conditioning or refrigeration systems showing our new design;

FIG. 2 is a front view thereof;

FIG. 3 is a rear view thereof;

FIG. 4 is a right side view thereof;

FIG. 5 is a left side view thereof;

FIG. 6 is a bottom view thereof; and,

FIG. 7 is a top view thereof.

1 Claim, 7 Drawing Sheets

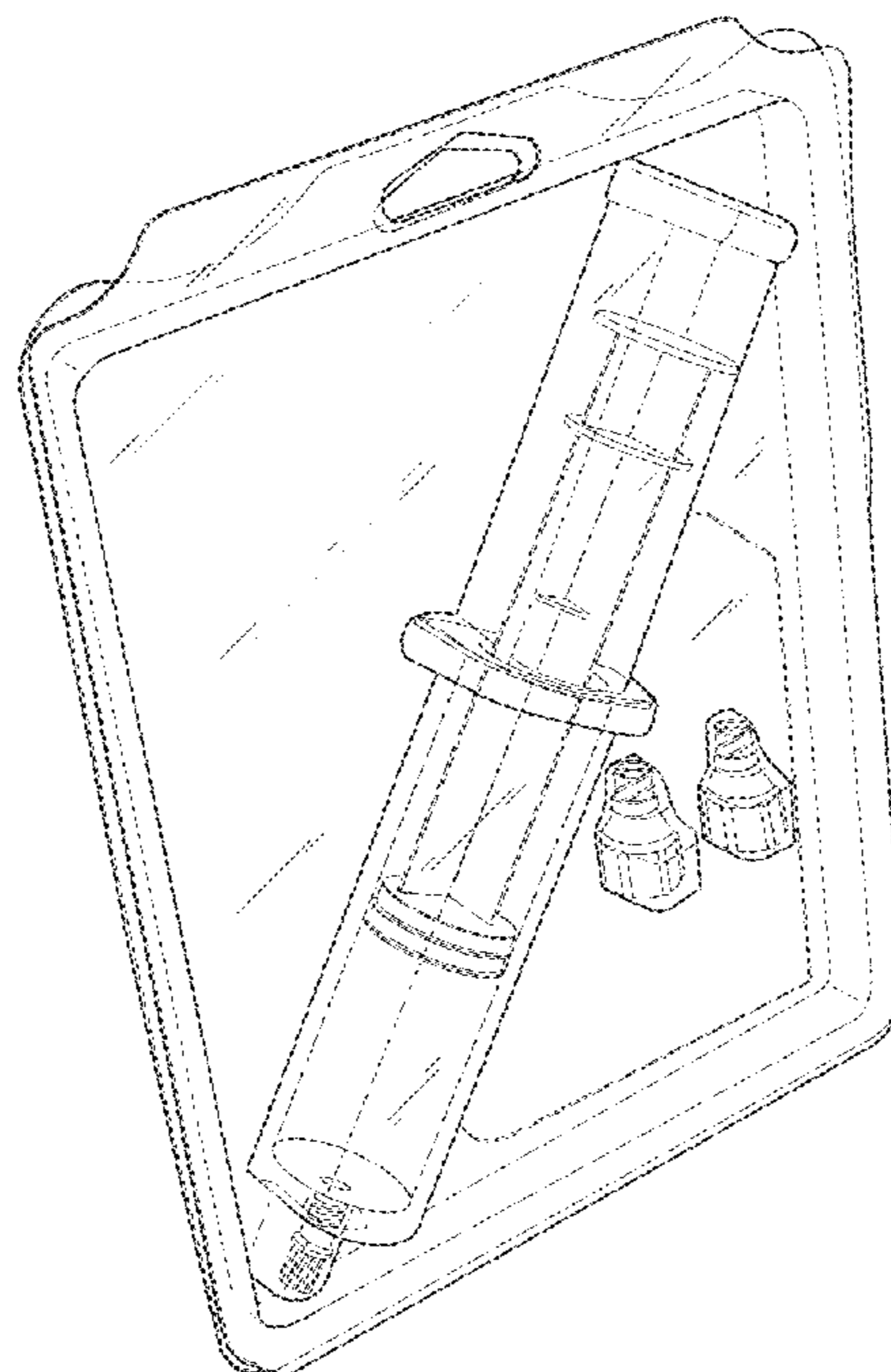


FIG. 1

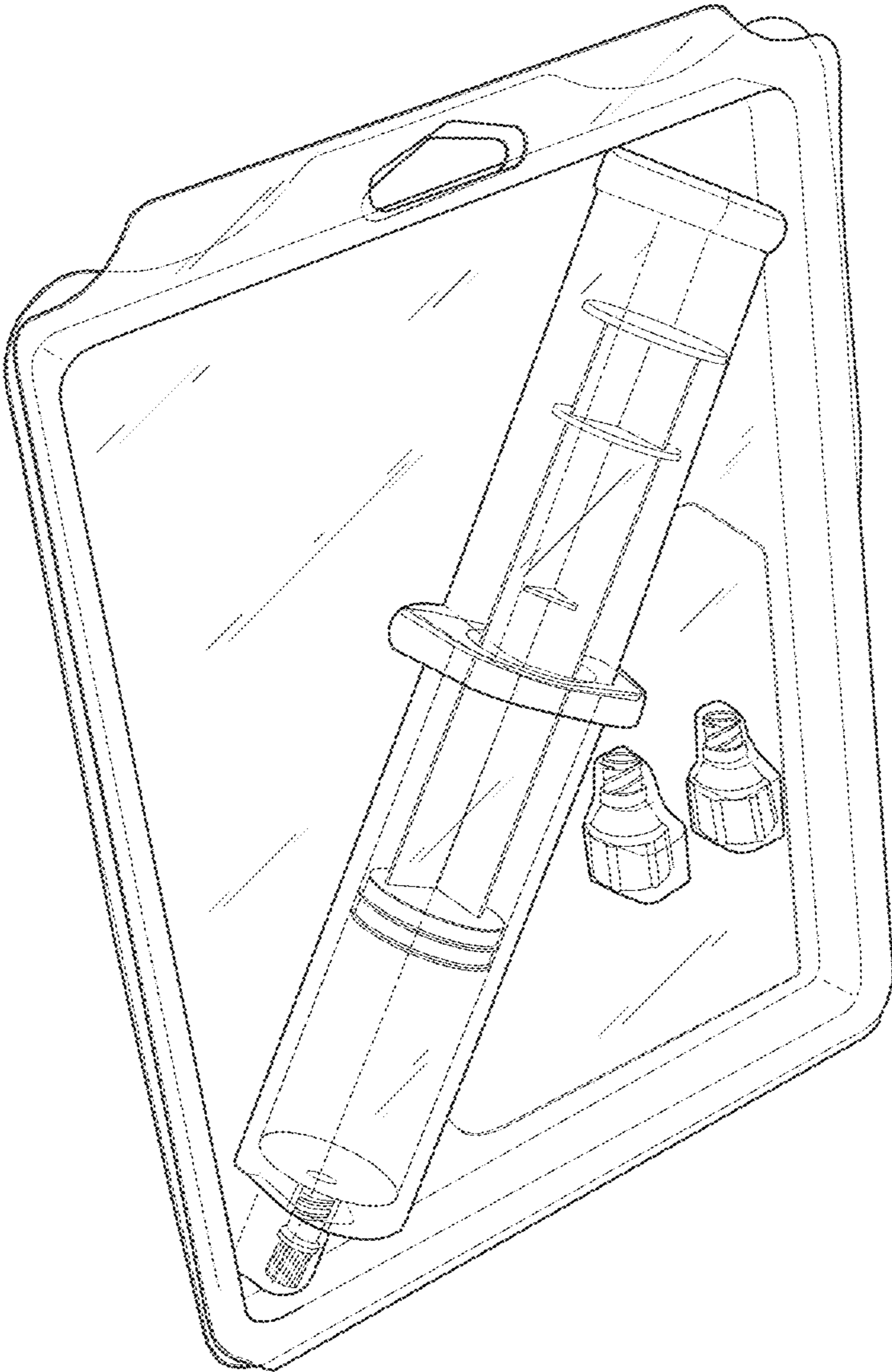


FIG. 2

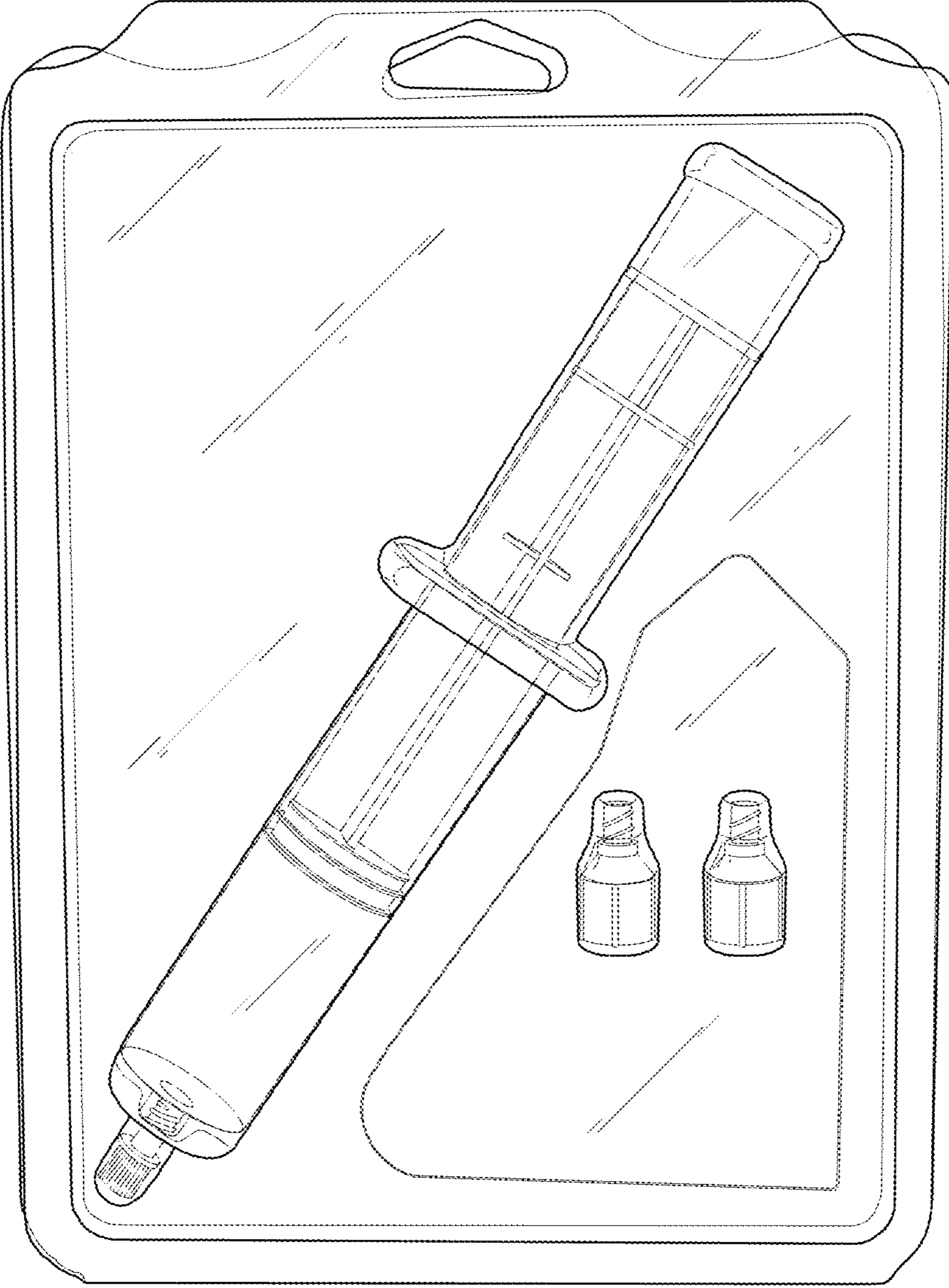


FIG. 3

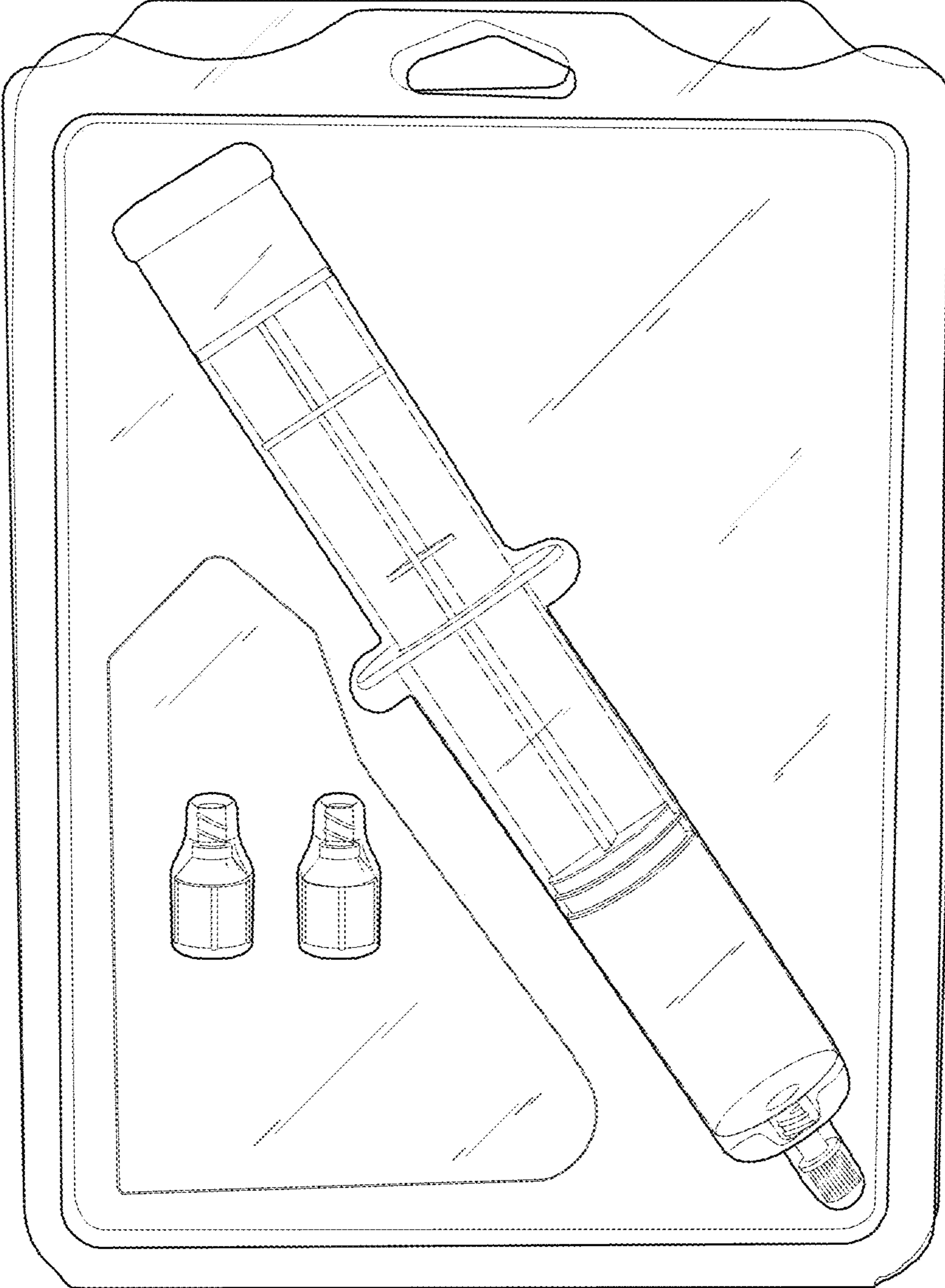


FIG. 4

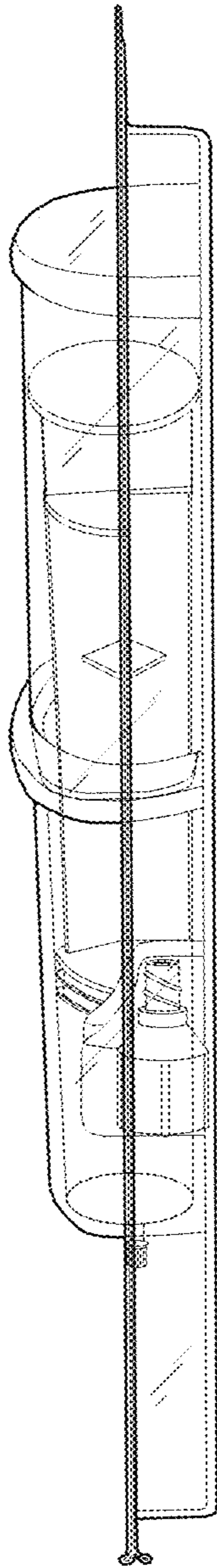


FIG. 5

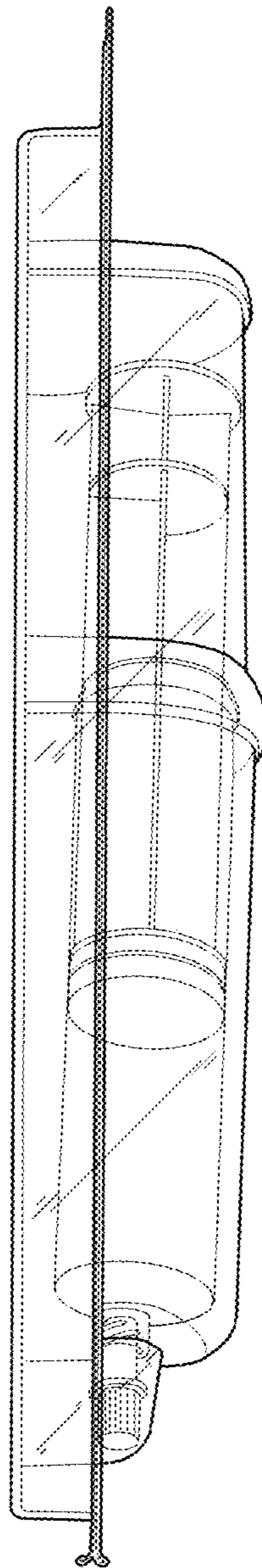


FIG. 6

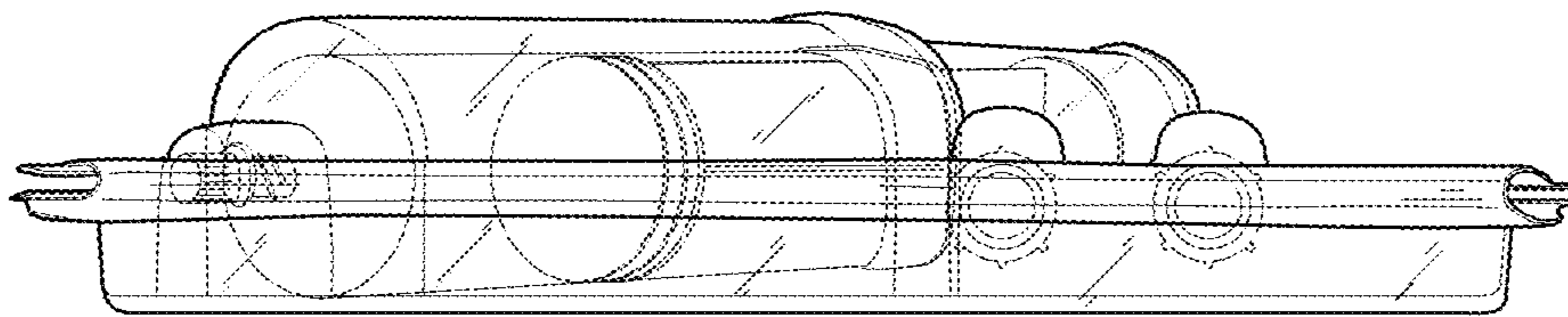


FIG. 7

