



US00D740688S

(12) **United States Design Patent**
Otsuka et al.

(10) **Patent No.:** **US D740,688 S**
(45) **Date of Patent:** **** Oct. 13, 2015**

(54) **PACKAGING POUCH**

(71) Applicant: **TOPPAN PRINTING CO., LTD.**,
Tokyo (JP)

(72) Inventors: **Hiroyuki Otsuka**, Tokyo (JP); **Youko Koide**, Tokyo (JP)

(73) Assignee: **TOPPAN PRINTING CO., LTD.**,
Tokyo (JP)

(**) Term: **14 Years**

(21) Appl. No.: **29/467,230**

(22) Filed: **Sep. 17, 2013**

(30) **Foreign Application Priority Data**

Mar. 21, 2013 (JP) 2013-006256

(51) **LOC (10) Cl.** **09-05**

(52) **U.S. Cl.**
USPC **D9/702**

(58) **Field of Classification Search**

USPC D9/702-714, 720-722, 414, 434-435,
D9/696, 716, 771, 447, 522, 571-575, 682,
D9/738-747, 516-517, 529-530, 547-549,
D9/569, 537-538, 544, 503-505, 545;
383/6, 9, 22, 96, 61.1, 80-81, 104,
383/901, 63, 203, 107, 119, 120, 123;
D24/118, 207; 222/107, 92, 206;
604/408, 410, 403; 220/495.03, 669,
220/675; 215/381-385, 12.1; D3/202, 303,
D3/232, 244

See application file for complete search history.

(56) **References Cited**

U.S. PATENT DOCUMENTS

D442,078 S * 5/2001 Fuquen D9/707
D484,972 S * 1/2004 Steele et al. D9/707

D591,614 S * 5/2009 Isogai et al. D9/702
D594,752 S * 6/2009 Medema et al. D9/707
D598,299 S * 8/2009 Isogai et al. D9/702
D623,959 S * 9/2010 Frohwein D9/707
D628,903 S * 12/2010 Caldwell et al. D9/711
D640,565 S * 6/2011 Tsuruta D9/702
D641,238 S * 7/2011 Caldwell et al. D9/434
D695,629 S * 12/2013 Hynes et al. D9/702
D699,119 S * 2/2014 Fukuda et al. D9/624

* cited by examiner

Primary Examiner — Susan Bennett Hattan

Assistant Examiner — Abraham Bahta

(74) *Attorney, Agent, or Firm* — Nixon & Vanderhye P.C.

(57) **CLAIM**

The ornamental design for a packaging pouch, as shown and described.

DESCRIPTION

FIG. 1 is a perspective view of a packaging pouch.

FIG. 2 is a front elevation view thereof.

FIG. 3 is a rear elevation view thereof.

FIG. 4 is a top plan view thereof.

FIG. 5 is a bottom plan view thereof.

FIG. 6 is a left side elevation view thereof.

FIG. 7 is a right side elevation view thereof.

FIG. 8 is a partial enlarged view of the pouch shown in FIG. 2.

FIG. 9 is an enlarged cross-sectional view taken along the line 9-9 in FIG. 8.

FIG. 10 is a referential view showing use thereof; and,

FIG. 11 is a referential view with the pouch opened.

The portions of the packaging pouch shown in broken lines are for the purpose of showing environmental structure only and form no part of the claimed design.

The dash-dot-dash lines represent the boundary of the claimed design and form no part of thereof.

1 Claim, 11 Drawing Sheets

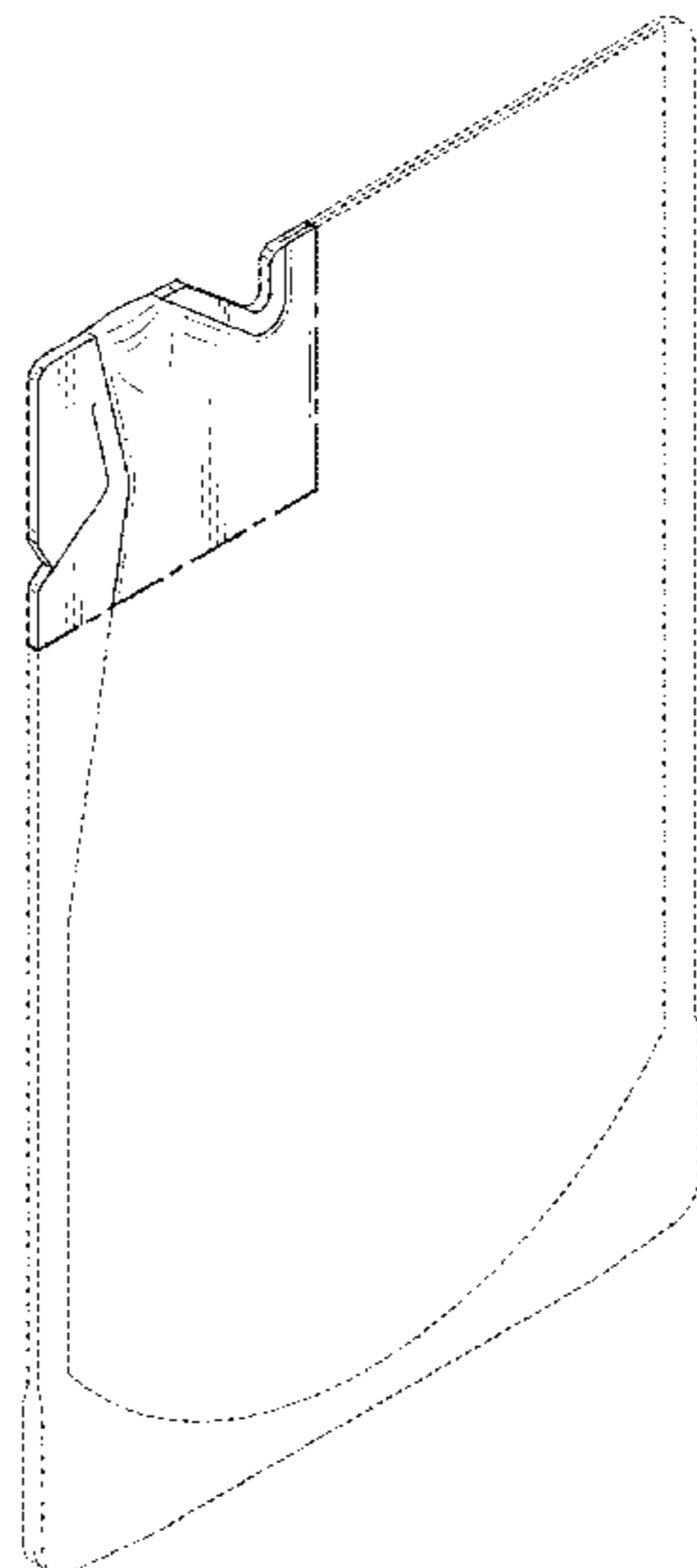


FIG. 1

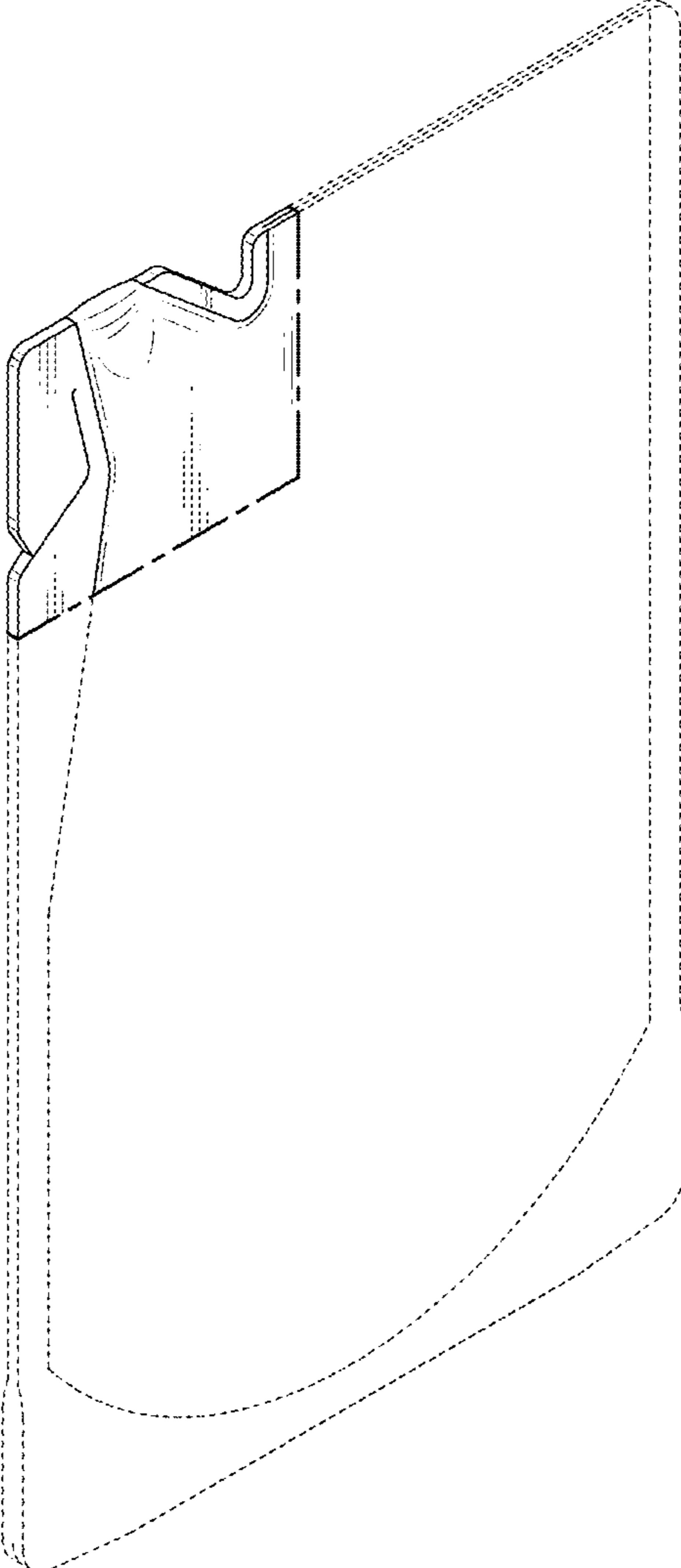


FIG. 2

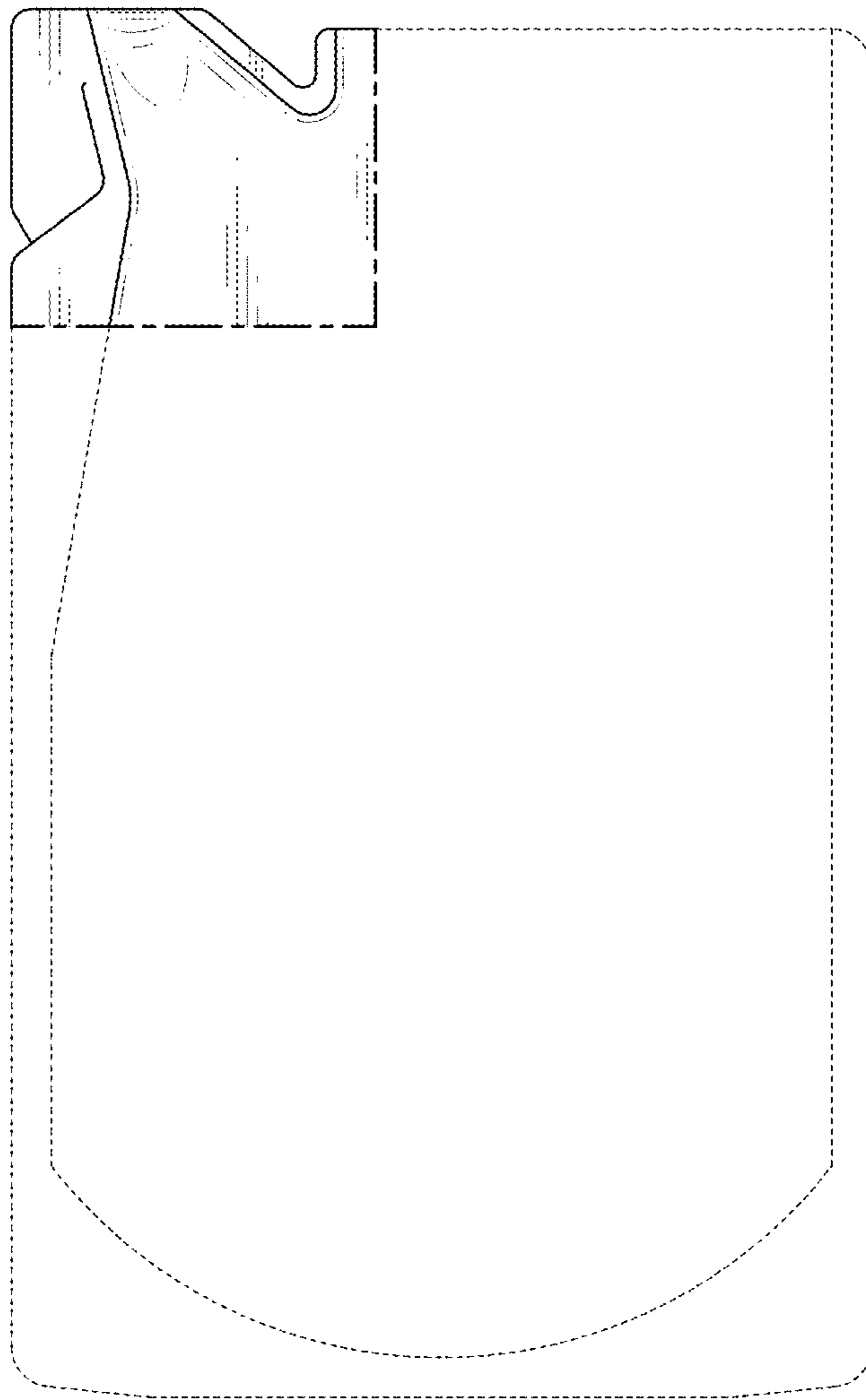


FIG. 3

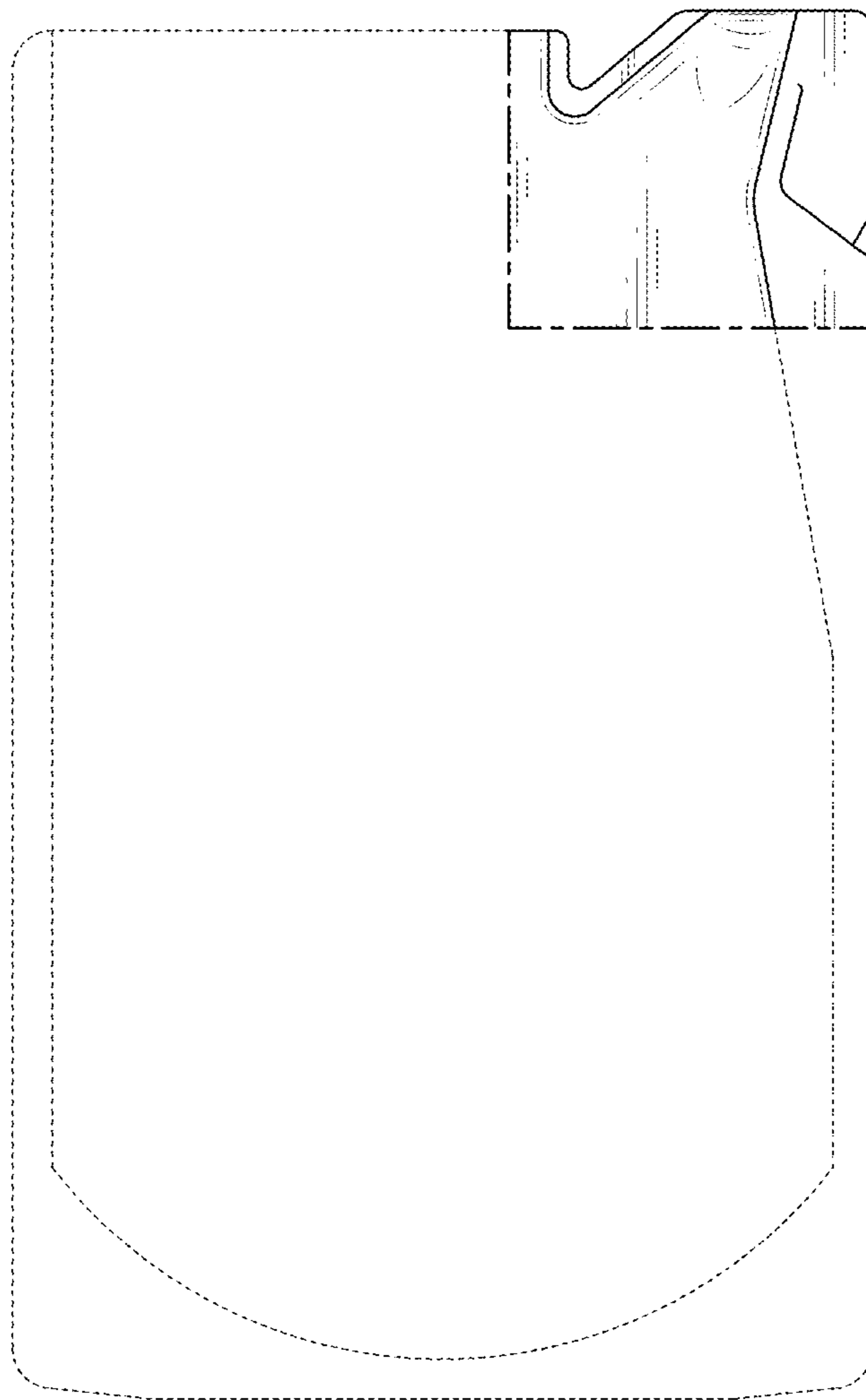


FIG. 4



FIG. 5

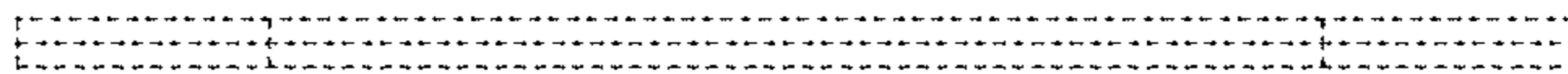


FIG. 6

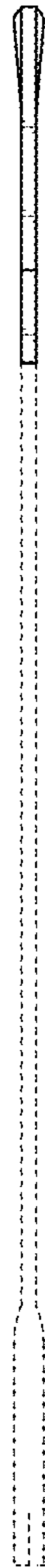


FIG. 7

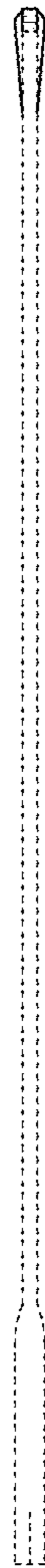


FIG. 8

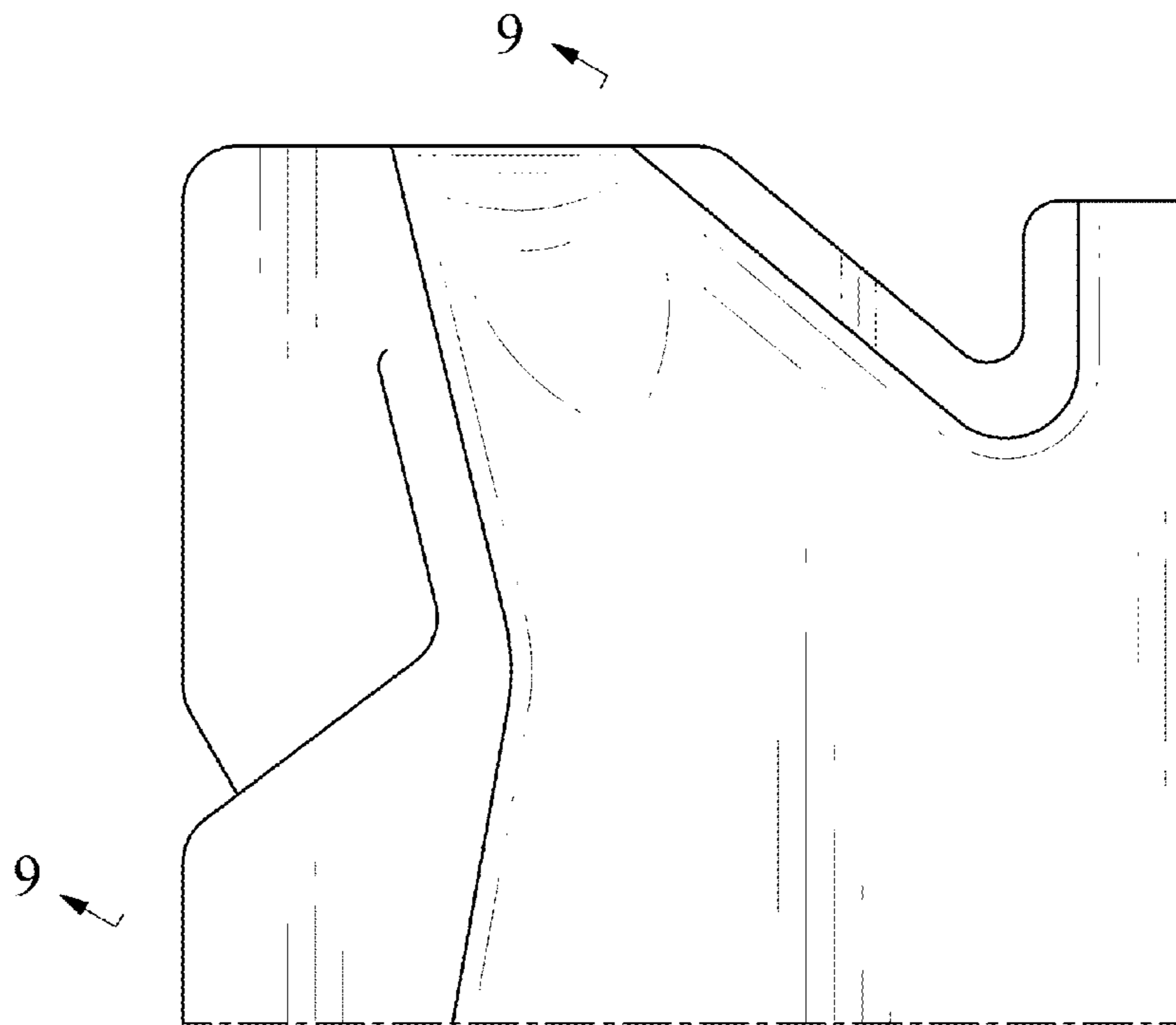


FIG. 9

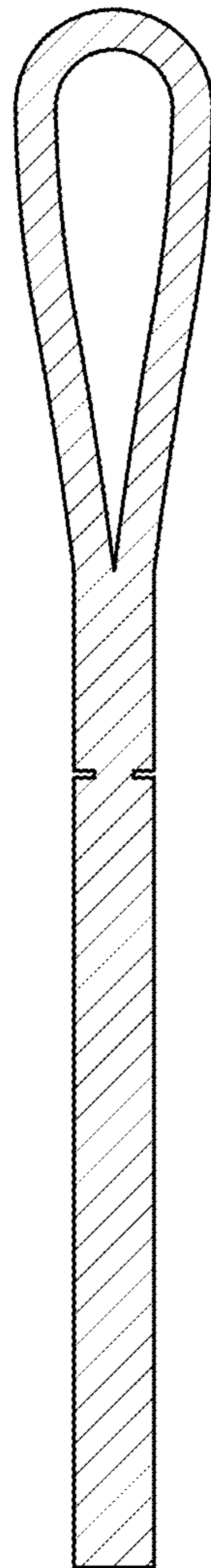


FIG. 10

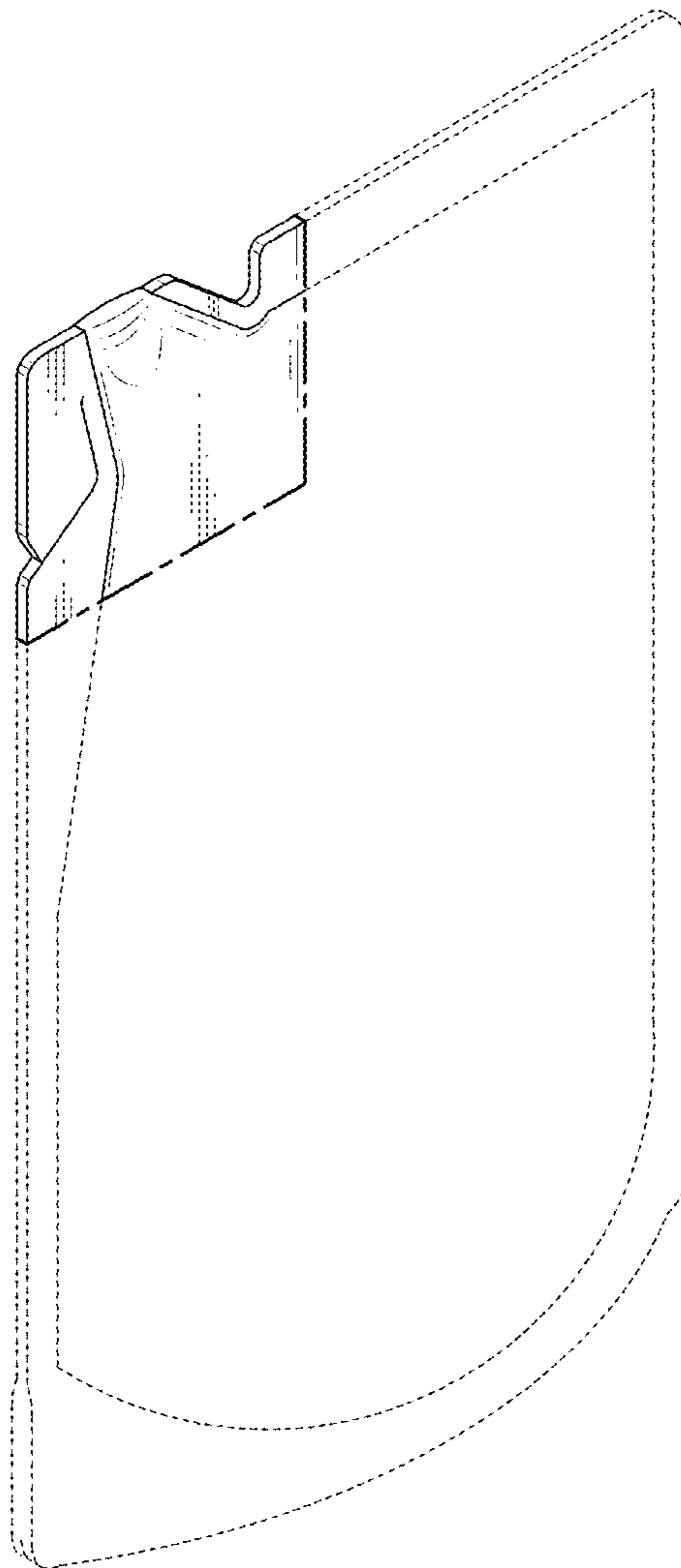


FIG. 11

