



US00D740685S

(12) **United States Design Patent**  
**Hamilton**

(10) **Patent No.:** **US D740,685 S**  
(45) **Date of Patent:** **\*\* Oct. 13, 2015**

(54) **BOTTLE**

(71) Applicant: **KLEAR SOLUTIONS**, Carson City,  
NV (US)

(72) Inventor: **Patricia Hamilton**, Danville, CA (US)

(73) Assignee: **KLEAR SOLUTIONS**, Carson City,  
NV (US)

(\*\*) Term: **14 Years**

(21) Appl. No.: **29/461,302**

(22) Filed: **Jul. 22, 2013**

(51) **LOC (10) Cl.** ..... **09-01**

(52) **U.S. Cl.**  
USPC ..... **D9/648**; D9/600; D9/522

(58) **Field of Classification Search**  
USPC ..... D9/600, 648, 652, 500-505, 516, 519,  
D9/522-523, 544-548; 215/381-384, 400;  
D27/162; D7/509-511, 514-517;  
206/457, 459.5, 527; 131/173, 210,  
131/226

See application file for complete search history.

(56) **References Cited**

**U.S. PATENT DOCUMENTS**

D79,454 S \* 9/1929 Blunt ..... D9/652  
D244,473 S \* 5/1977 Karl ..... D27/162

D256,506 S \* 8/1980 Graham ..... D27/162  
D268,009 S \* 2/1983 Hirsh ..... D9/504  
D358,227 S \* 5/1995 Heine ..... D27/162  
D458,140 S \* 6/2002 Hutchins ..... D9/523  
D519,032 S \* 4/2006 Abadinsky ..... D9/522  
D519,378 S \* 4/2006 Abadinsky ..... D9/522

\* cited by examiner

*Primary Examiner* — Sandra Morris

(74) *Attorney, Agent, or Firm* — Gerald R Prettyman

(57) **CLAIM**

The ornamental design for a bottle, as shown and described.

**DESCRIPTION**

This application is related to co-pending application Ser. No. 29/453,035 filed Apr. 24, 2013, titled "Bottle" and to co-pending application Ser. No. 29/453,063 filed Apr. 24, 2013, titled "Bottle" and to co-pending application Ser. No. 29/455,626 filed May 22, 2013, titled "Bottle."

FIG. 1 is a side view of a bottle, showing my new design.

FIG. 2 is a front view of a bottle, thereof.

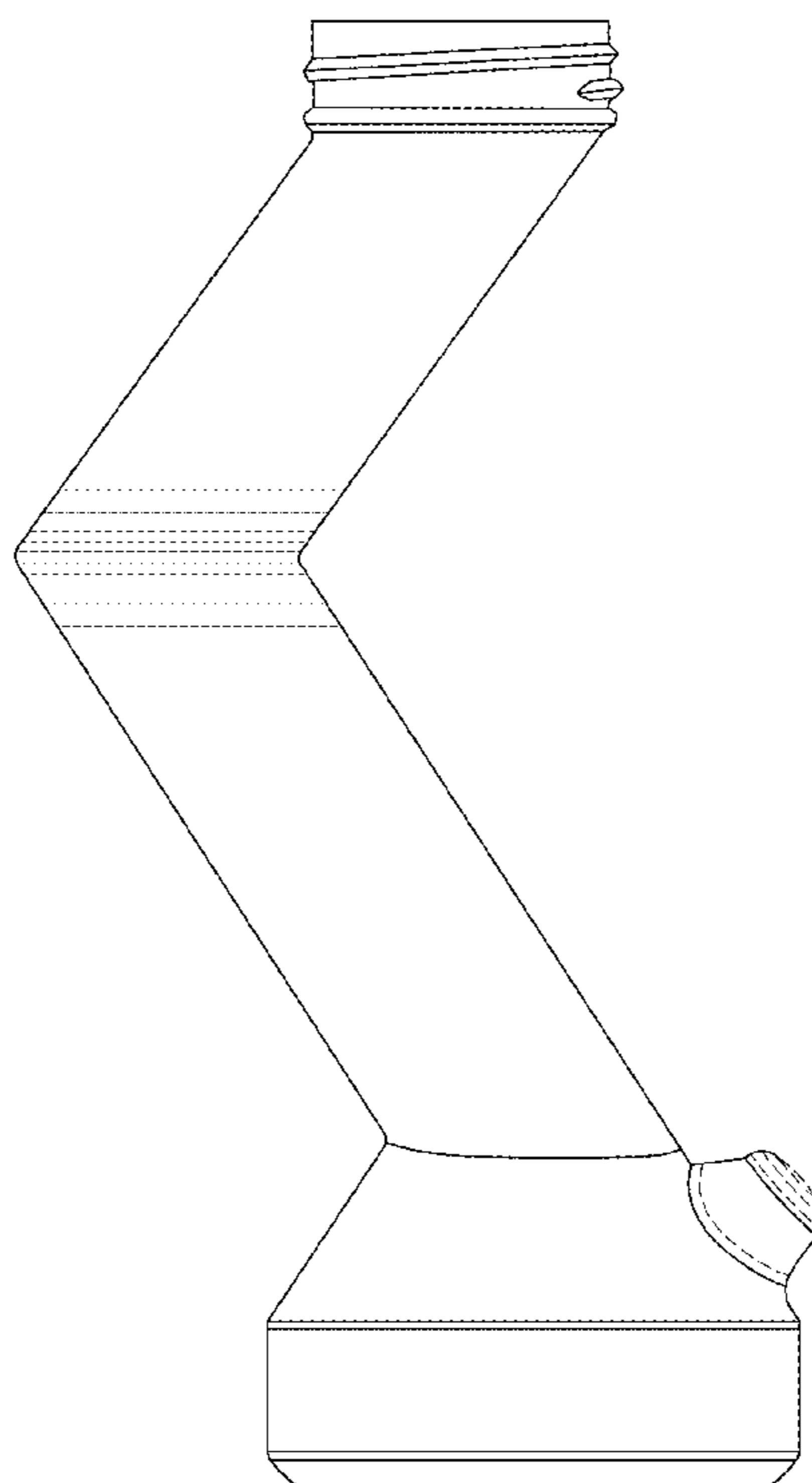
FIG. 3 is a back view of a bottle, thereof; and,

FIG. 4 is a bottom view of a bottle, thereof.

The broken lines in FIGS. 1, 2 and 4 are included for the purpose of illustrating a portion of the bottle that forms no part of the claimed design.

The claimed bottle is used for storing cleaning fluids and cleaning small parts within.

**1 Claim, 4 Drawing Sheets**



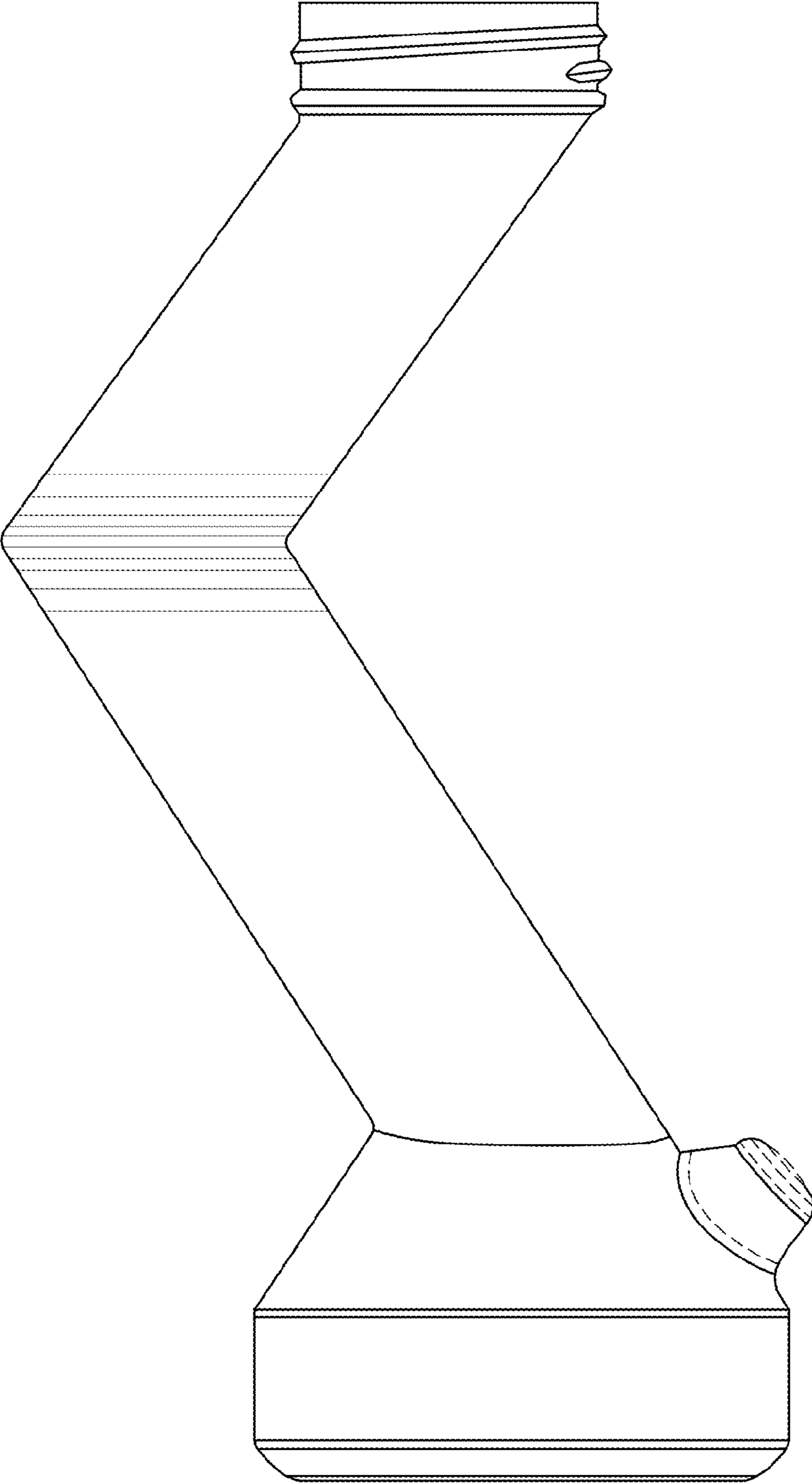


FIG. 1

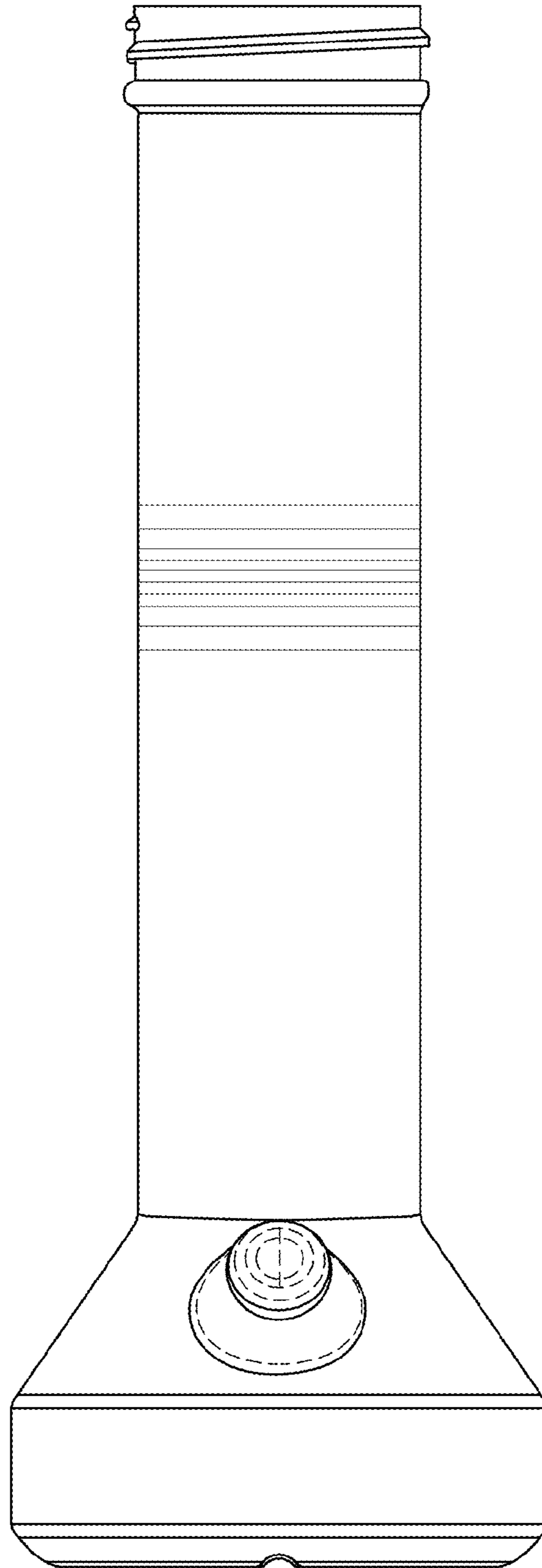


FIG. 2

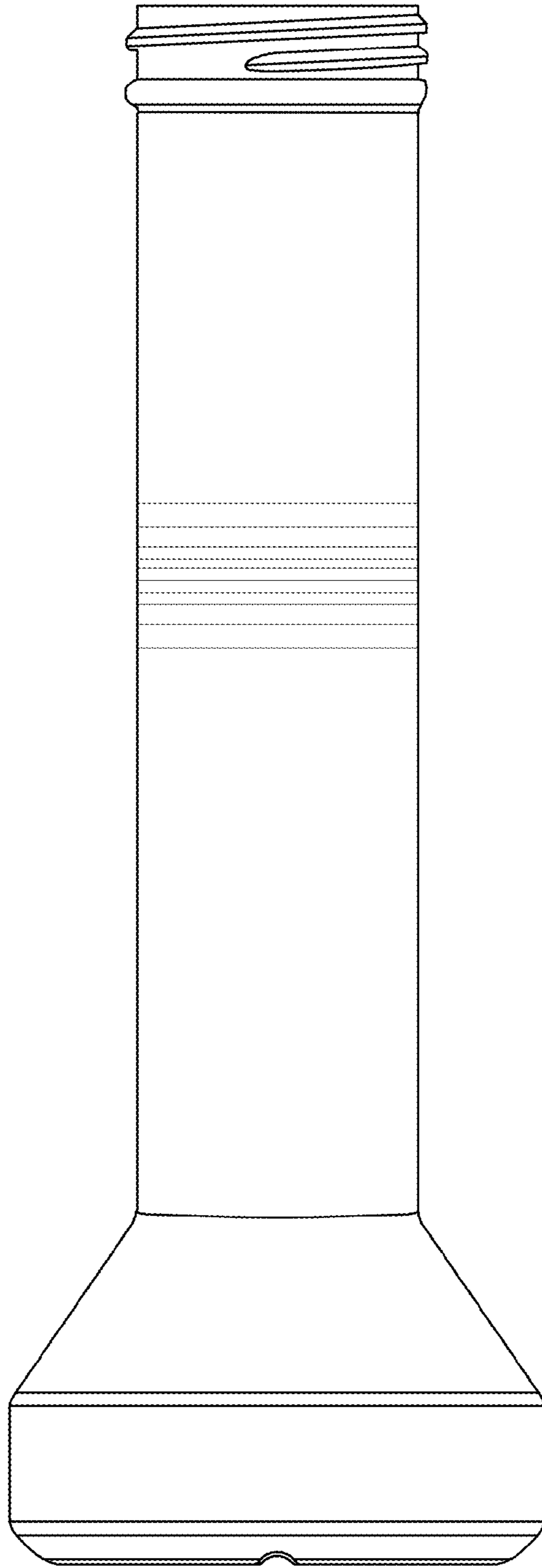


FIG. 3

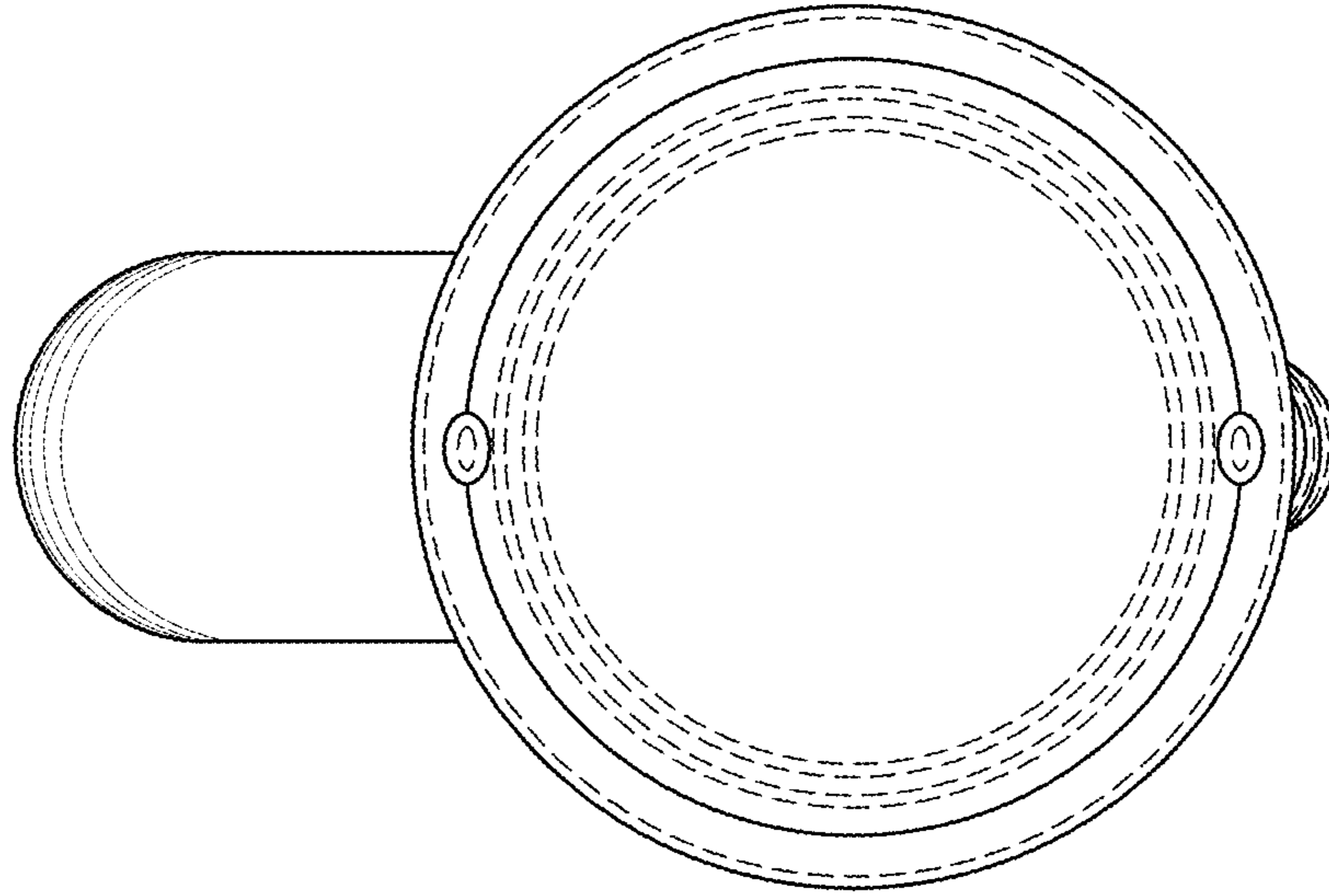


FIG. 4