



US00D740678S

(12) **United States Design Patent**  
**Fukumoto et al.**

(10) **Patent No.:** **US D740,678 S**  
(45) **Date of Patent:** **\*\* Oct. 13, 2015**

(54) **CONTAINER**

(71) Applicant: **Kikkoman Corporation**, Chiba (JP)

(72) Inventors: **Masashi Fukumoto**, Noda (JP);  
**Masashi Yoneyama**, Koto-ku (JP);  
**Keisuke Miyairi**, Koto-ku (JP)

(73) Assignee: **KIKKOMAN CORPORATION**, Chiba (JP)

(\*\*) Term: **14 Years**

(21) Appl. No.: **29/441,931**

(22) Filed: **Jan. 10, 2013**

(30) **Foreign Application Priority Data**

Jul. 18, 2012 (JP) ..... 2012-017079

(51) **LOC (10) Cl.** ..... **09-01**

(52) **U.S. Cl.**  
USPC ..... **D9/559**; D9/569; D9/570; D9/571;  
D9/574

(58) **Field of Classification Search**

USPC ..... D9/434-435, 447, 449, 454, 502, 516,  
D9/520, 549, 556-559, 569-571, 715, 719  
CPC ..... B65D 1/00; B65D 1/02; B65D 1/0223;  
B65D 1/40; B65D 1/42; B65D 1/44; B65D  
23/00; B65D 81/00; B65D 83/00; B65D  
2501/00; B65D 2501/0009; B65D 2501/0036  
See application file for complete search history.

(56) **References Cited**

**U.S. PATENT DOCUMENTS**

D19,911 S \* 6/1890 Heinz ..... D9/559  
D114,557 S \* 5/1939 Nitardy ..... D9/559

D202,222 S *	9/1965	Heintze .....	D9/546
D271,565 S *	11/1983	Slater .....	D9/520
D310,683 S *	9/1990	Aoyama .....	D18/43
D318,422 S *	7/1991	Rumney .....	D9/559
D356,814 S *	3/1995	Suzuki et al. ....	D18/43
5,690,244 A *	11/1997	Darr .....	215/382
7,017,761 B1 *	3/2006	Kneer .....	215/12.1
D611,345 S *	3/2010	Bangi et al. ....	D9/502
D611,816 S *	3/2010	Bangi et al. ....	D9/502
D641,244 S *	7/2011	Bysick et al. ....	D9/502
D657,686 S *	4/2012	Veuger .....	D9/559
D661,199 S *	6/2012	Bennett .....	D9/559
D701,765 S *	4/2014	Fukumoto et al. ....	D9/447

\* cited by examiner

*Primary Examiner* — Dana L Meyrow

(74) *Attorney, Agent, or Firm* — Sterne, Kessler, Goldstein & Fox P.L.L.C.

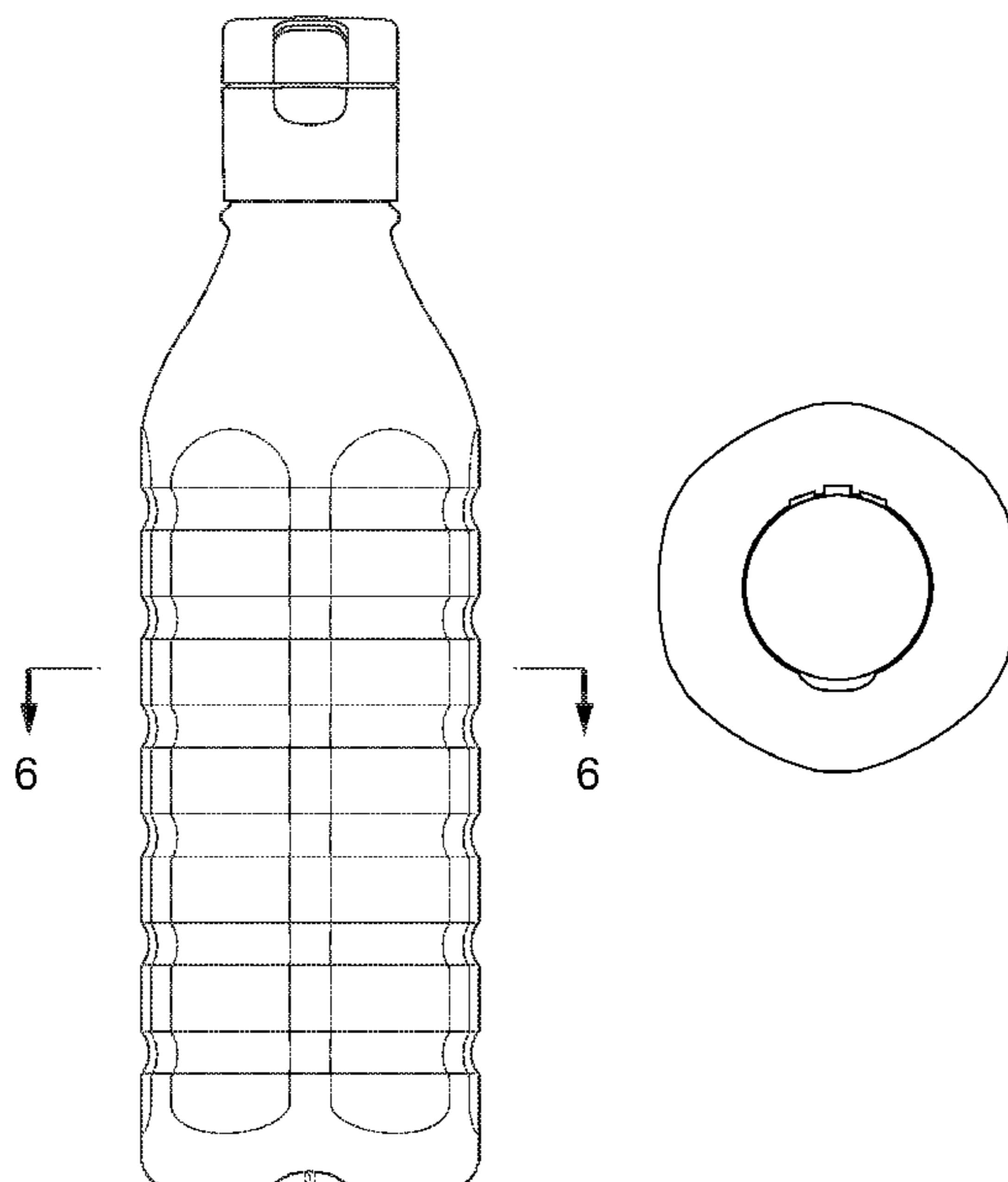
(57) **CLAIM**

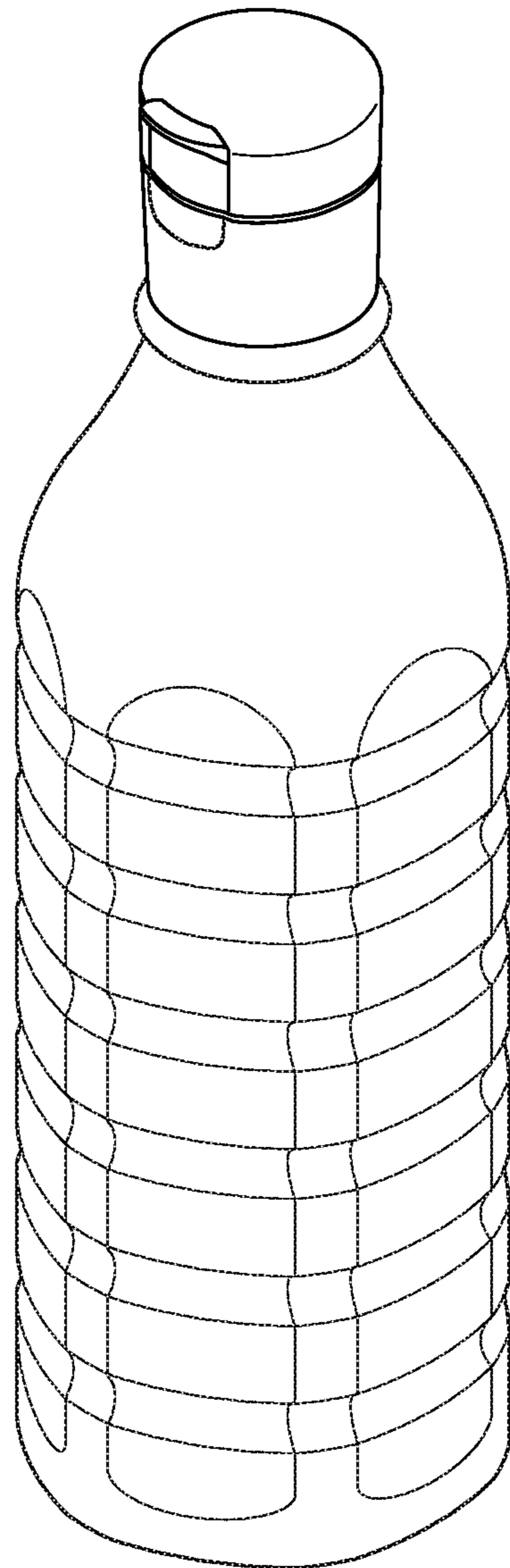
The ornamental design for a container, as shown and described.

**DESCRIPTION**

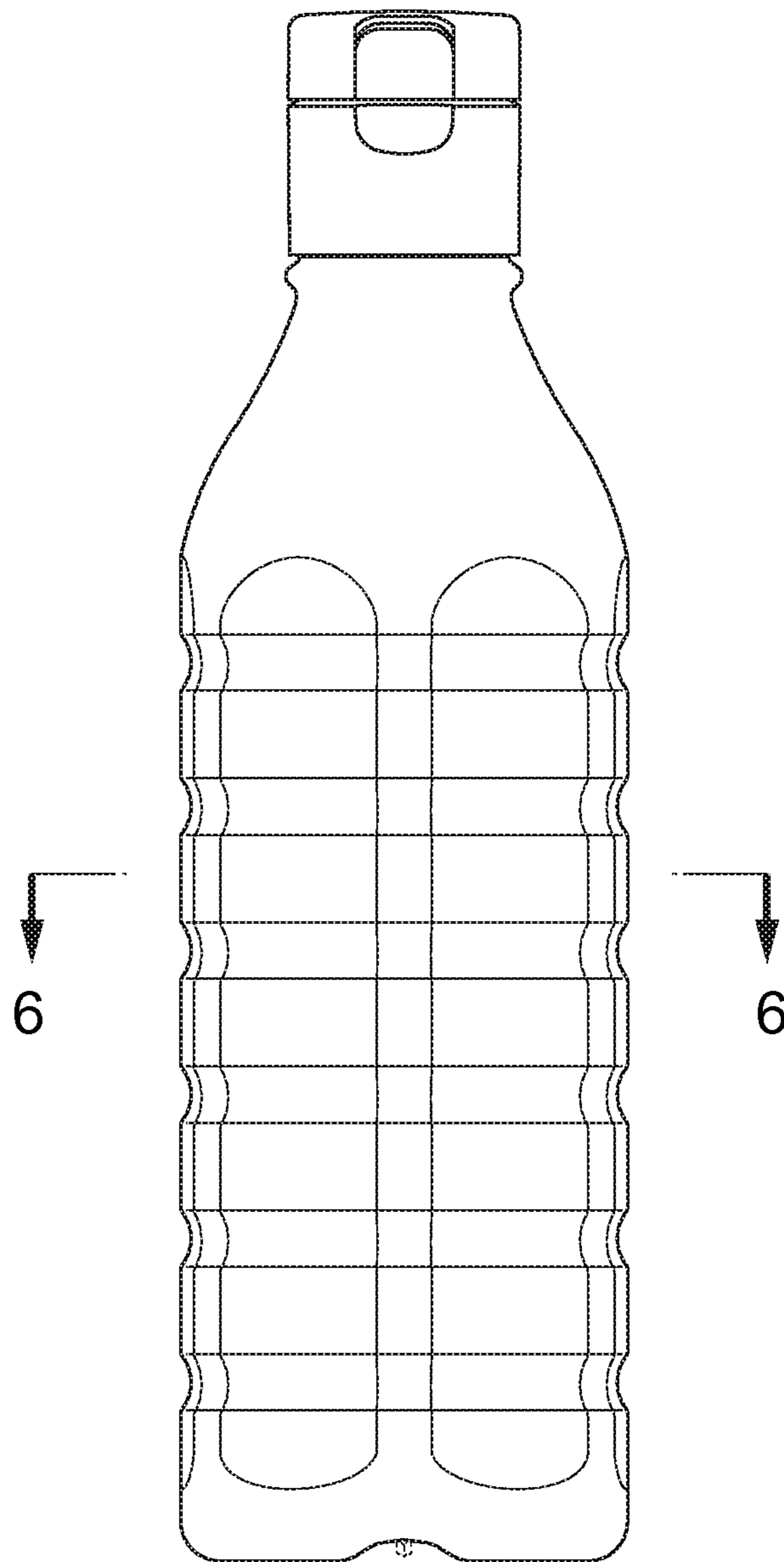
FIG. 1 is a top front perspective view of a container showing our new design;  
FIG. 2 is a front view thereof;  
FIG. 3 is a rear view thereof;  
FIG. 4 is a right side view, the left side being a mirror image thereof;  
FIG. 5 is a top plan view thereof;  
FIG. 6 is a cross-sectional view thereof, taken along line 6-6 in FIG. 2; and,  
FIG. 7 is another top front perspective view showing the cap in an open position.  
The broken lines in the figures show portions of the container that form no part of the claimed design.

**1 Claim, 6 Drawing Sheets**

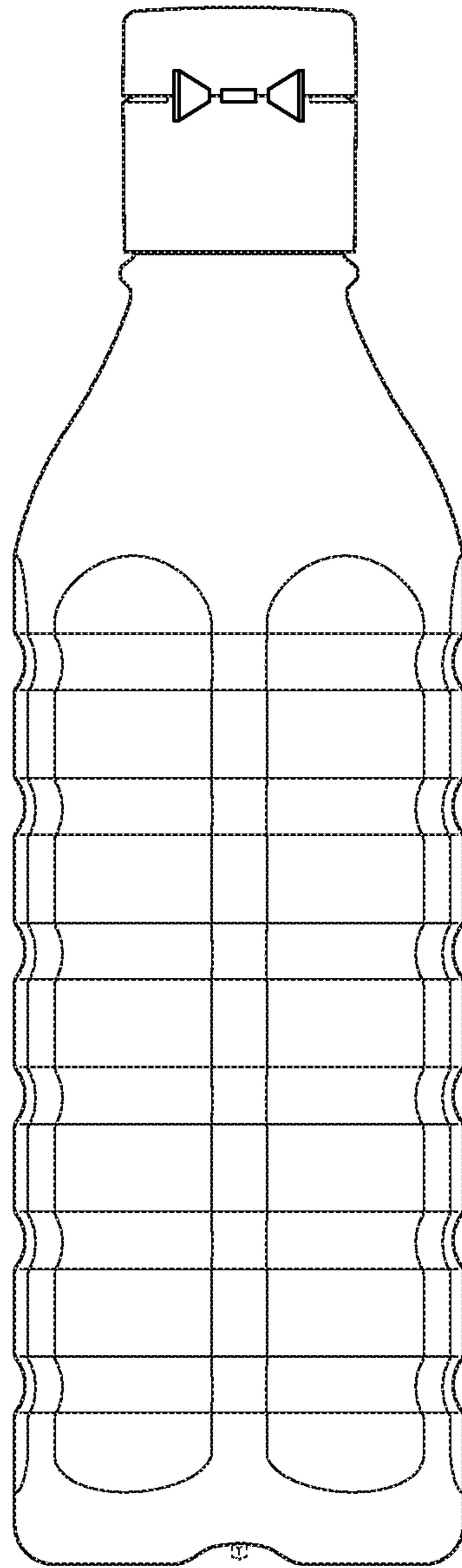




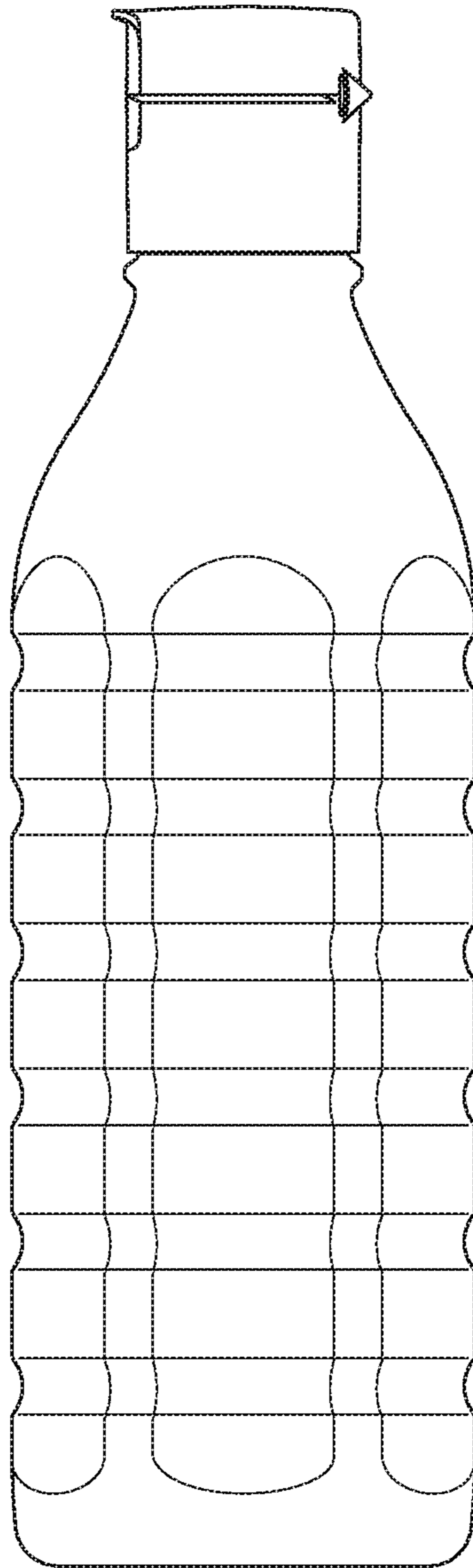
**FIG. 1**



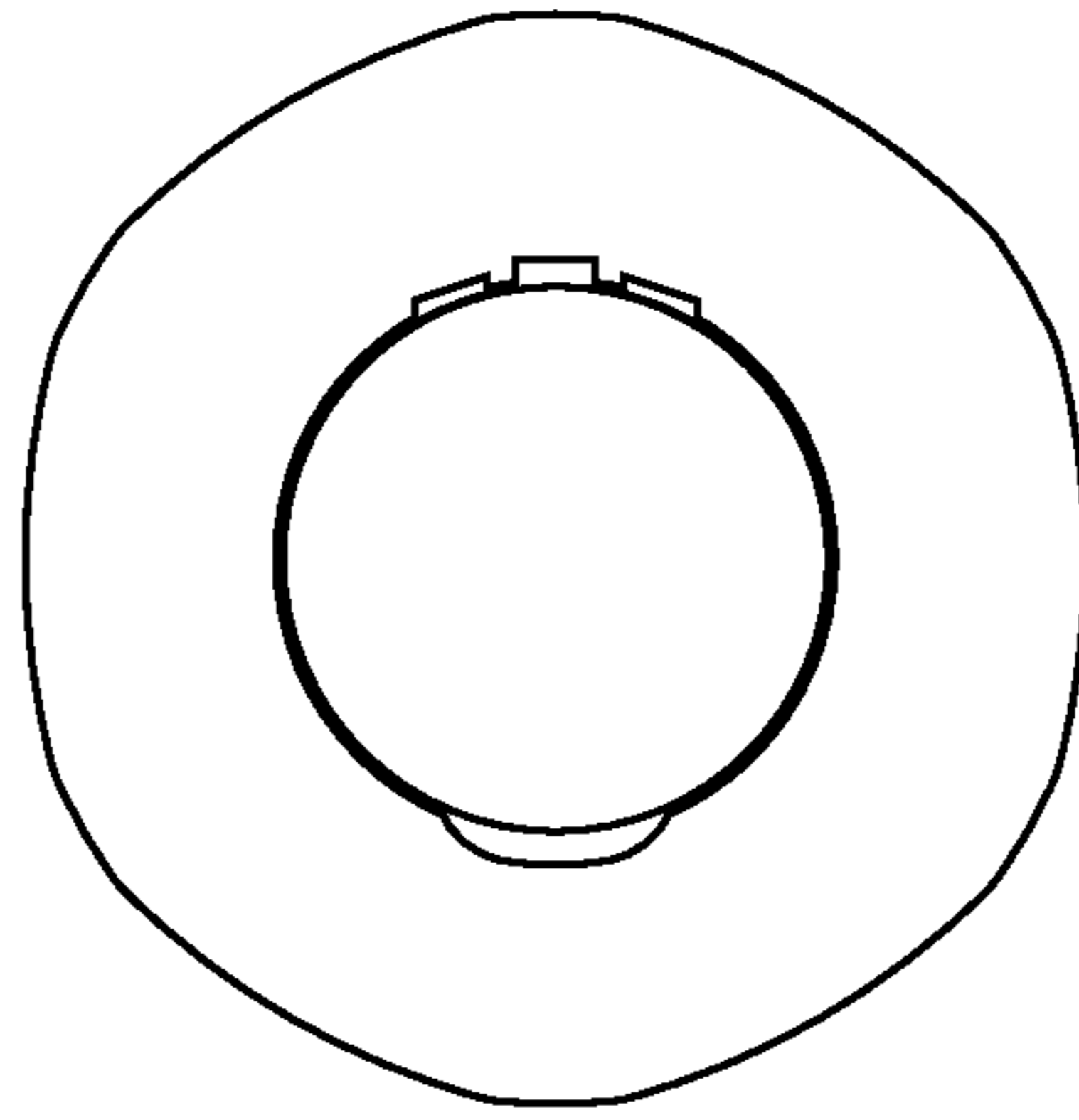
**FIG. 2**



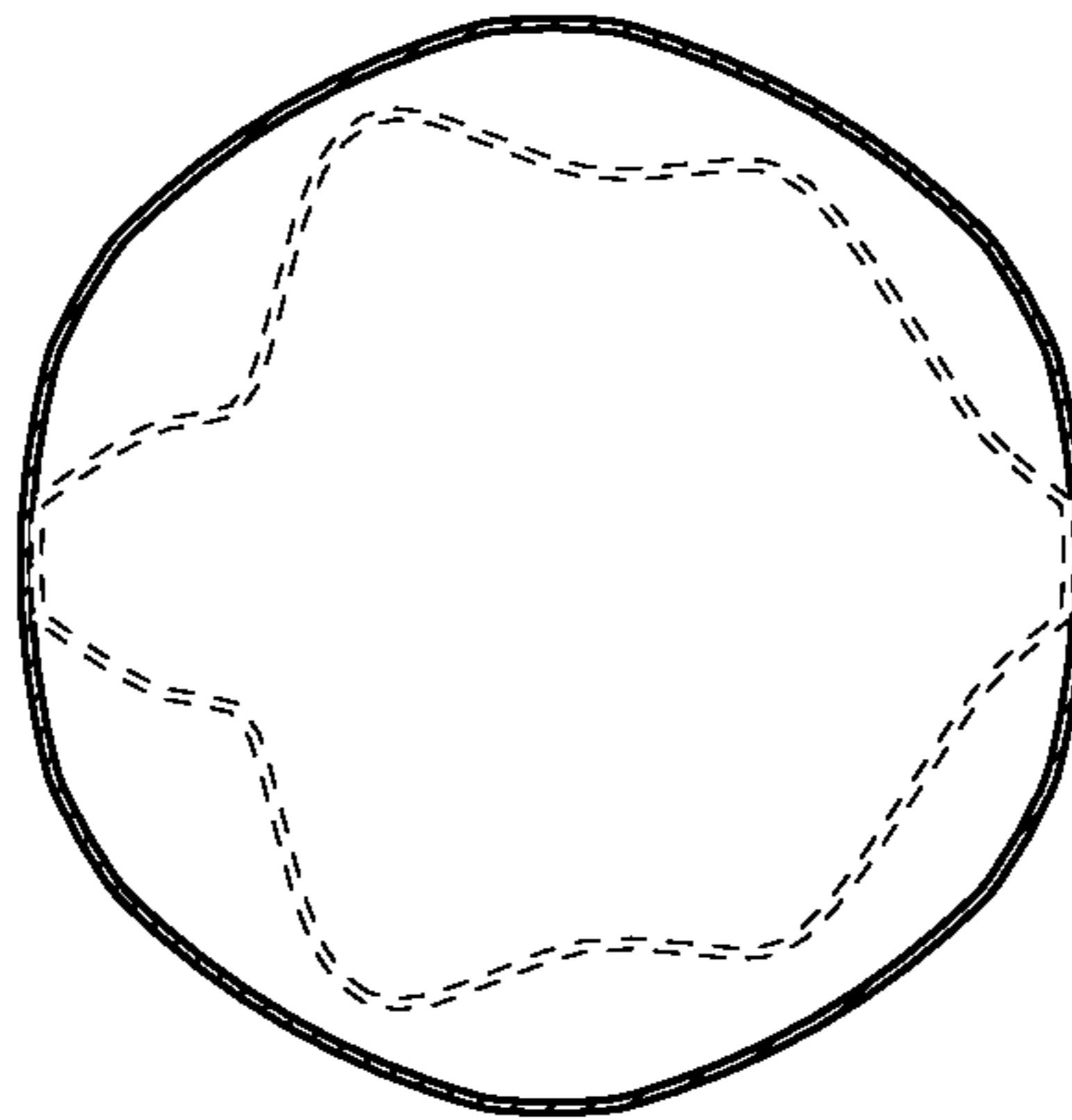
**FIG. 3**



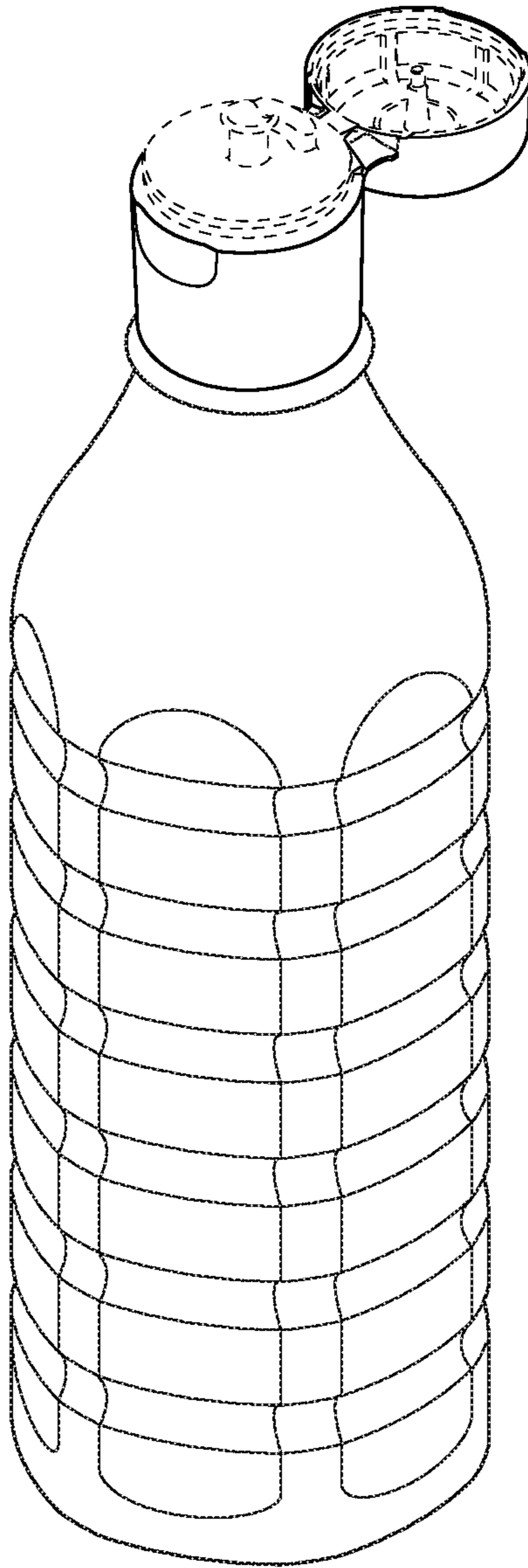
**FIG. 4**



**FIG. 5**



**FIG. 6**



**FIG. 7**