



US00D740675S

(12) **United States Design Patent**  
**Saliaris**

(10) **Patent No.:** **US D740,675 S**

(45) **Date of Patent:** **\*\* Oct. 13, 2015**

(54) **BOTTLE**

(71) Applicant: **Daniel P. Saliaris**, Delaware, OH (US)

(72) Inventor: **Daniel P. Saliaris**, Delaware, OH (US)

(\*\*) Term: **14 Years**

(21) Appl. No.: **29/449,354**

(22) Filed: **Mar. 15, 2013**

(51) **LOC (10) Cl.** ..... **09-01**

(52) **U.S. Cl.**  
USPC ..... **D9/538**; D9/539; D9/553

(58) **Field of Classification Search**  
USPC ..... D9/500, 502–503, 516, 530, 537–543,  
D9/549, 552–553, 558–559, 571, 575, 715,  
D9/719

CPC ..... B65D 1/00; B65D 1/02; B65D 1/0223;  
B65D 23/00; B65D 81/00; B65D 2501/00;  
B65D 2501/0009

See application file for complete search history.

(56) **References Cited**

**U.S. PATENT DOCUMENTS**

- D352,238 S \* 11/1994 Vaillencourt et al. .... D9/434
- D358,766 S \* 5/1995 Vaillencourt et al. .... D9/434
- D364,565 S \* 11/1995 Vaillencourt et al. .... D9/434
- D504,617 S \* 5/2005 Pedmo et al. .... D9/541

- 7,581,654 B2 \* 9/2009 Stowitts ..... 215/383
- D623,529 S \* 9/2010 Yourist et al. .... D9/538
- D624,427 S \* 9/2010 Yourist et al. .... D9/538
- D642,471 S \* 8/2011 White et al. .... D9/502
- D647,404 S \* 10/2011 Yourist et al. .... D9/538
- D647,804 S \* 11/2011 Yourist et al. .... D9/538
- D652,730 S \* 1/2012 Yourist et al. .... D9/538
- D670,171 S \* 11/2012 Yourist et al. .... D9/538
- D670,565 S \* 11/2012 Yourist et al. .... D9/538
- D705,071 S \* 5/2014 Abend et al. .... D9/538

\* cited by examiner

*Primary Examiner* — Dana L Meyrow

(74) *Attorney, Agent, or Firm* — Jason H. Foster; Kremblas & Foster

(57) **CLAIM**

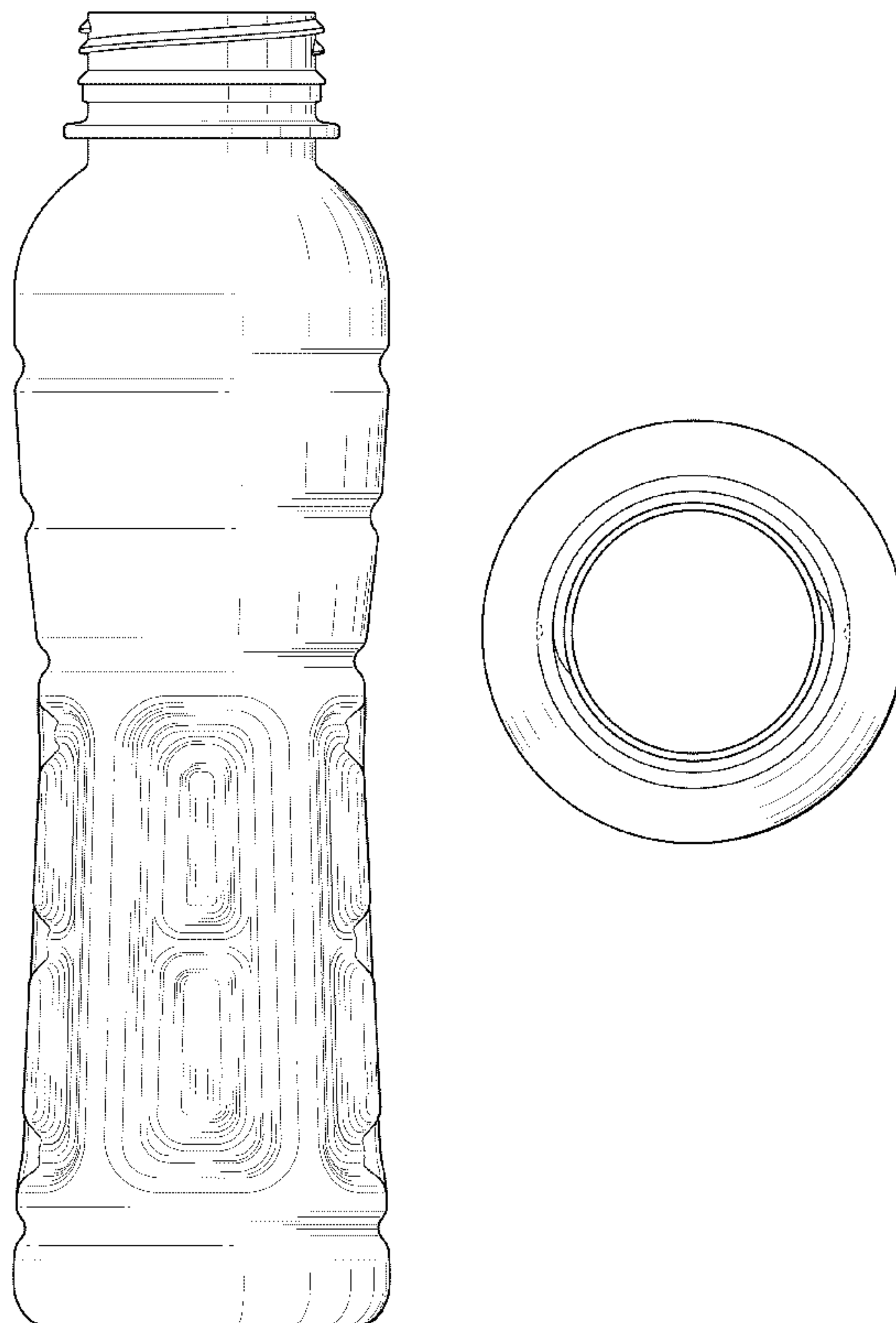
I Claim the ornamental design for a bottle, substantially as shown and described.

**DESCRIPTION**

FIG. 1 is a front view of a bottle showing my new design;  
 FIG. 2 is a rear view thereof;  
 FIG. 3 is a right view thereof;  
 FIG. 4 is a left view thereof;  
 FIG. 5 is a top view thereof;  
 FIG. 6 is a bottom view thereof; and,  
 FIG. 7 is a front perspective thereof.

The broken lines in the drawings on the lower neck ring and the bottom surface of the bottle illustrate the portions of the design that form no part of the claim.

**1 Claim, 3 Drawing Sheets**



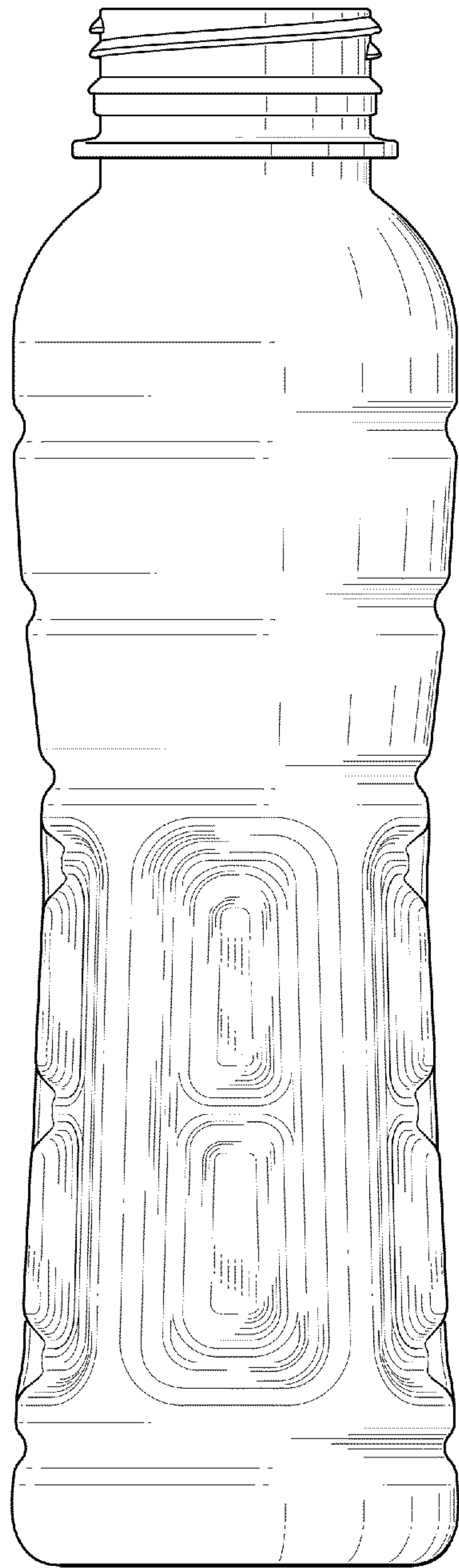


FIG. 1

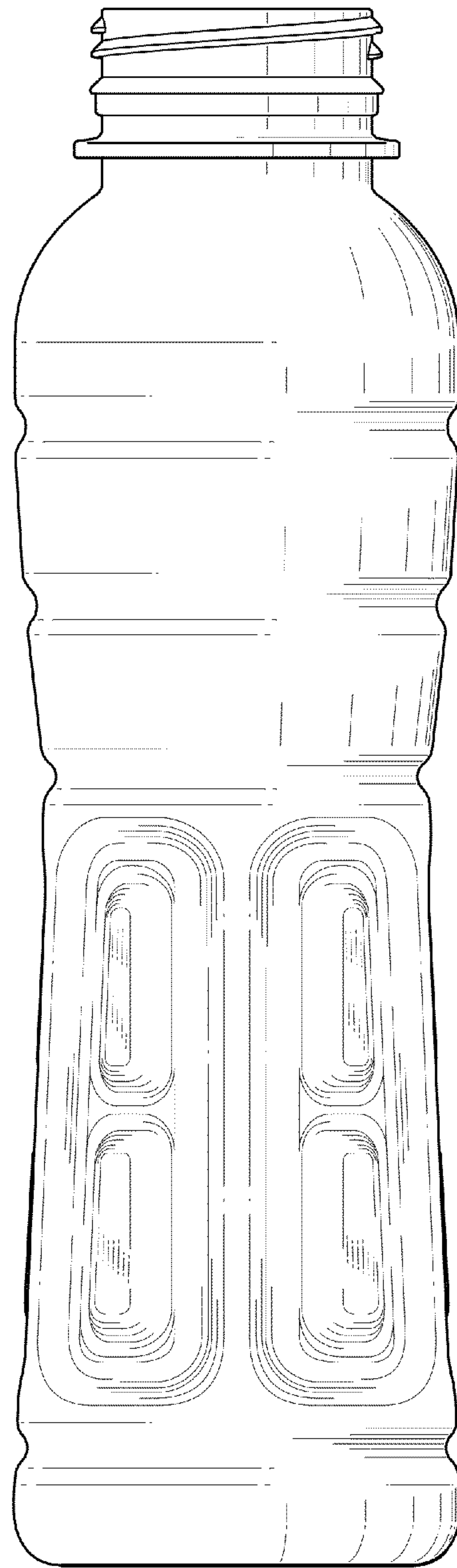


FIG. 2

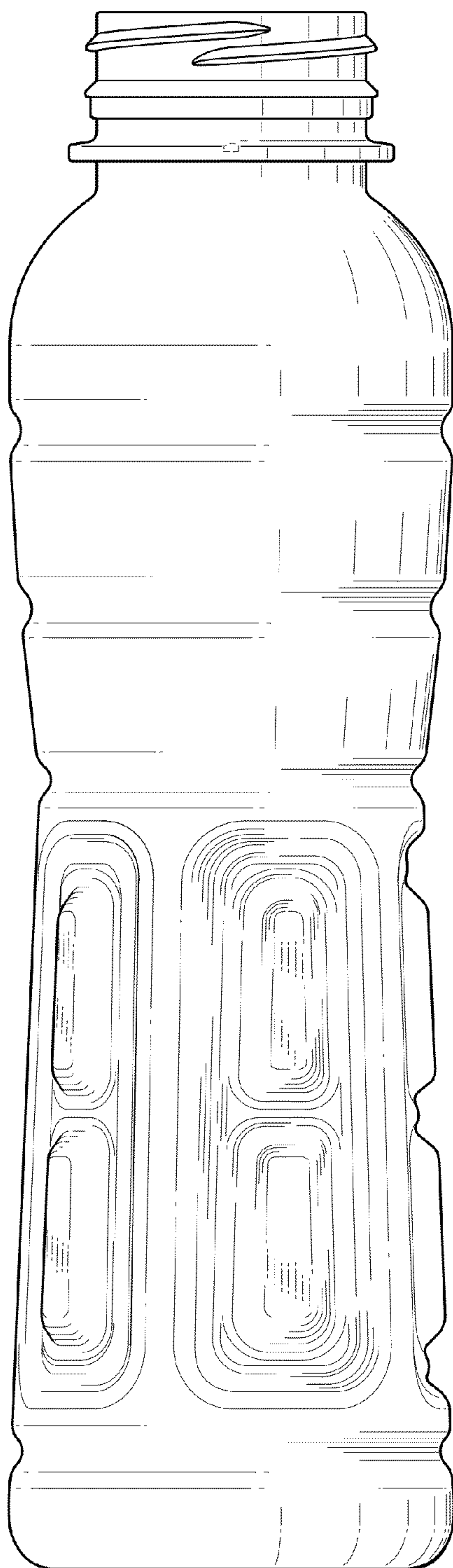


FIG. 3

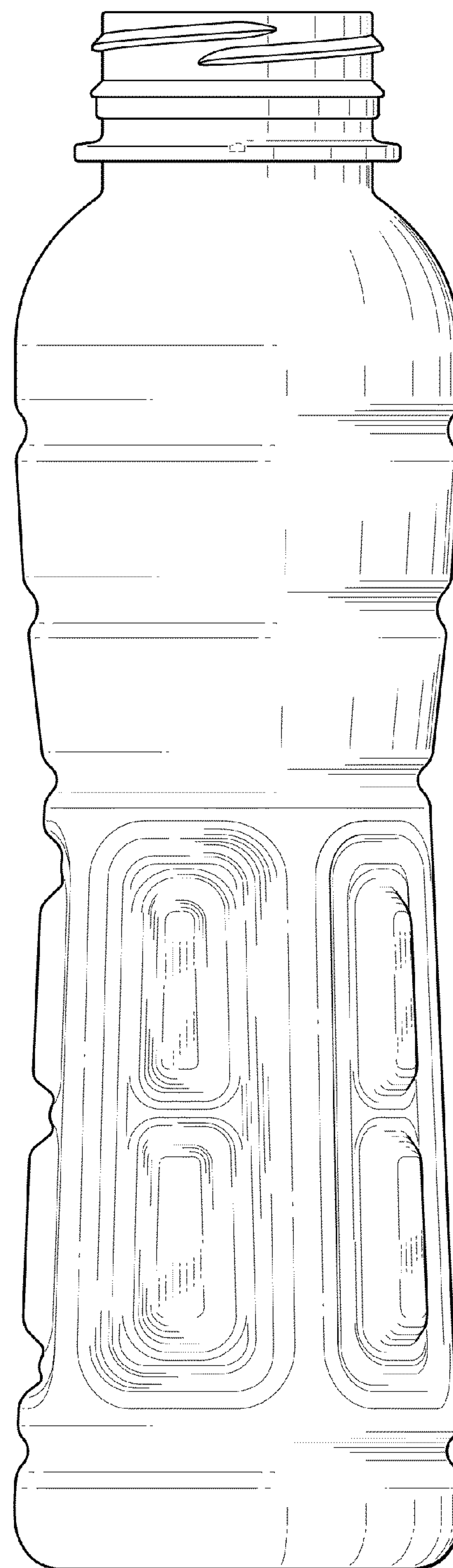
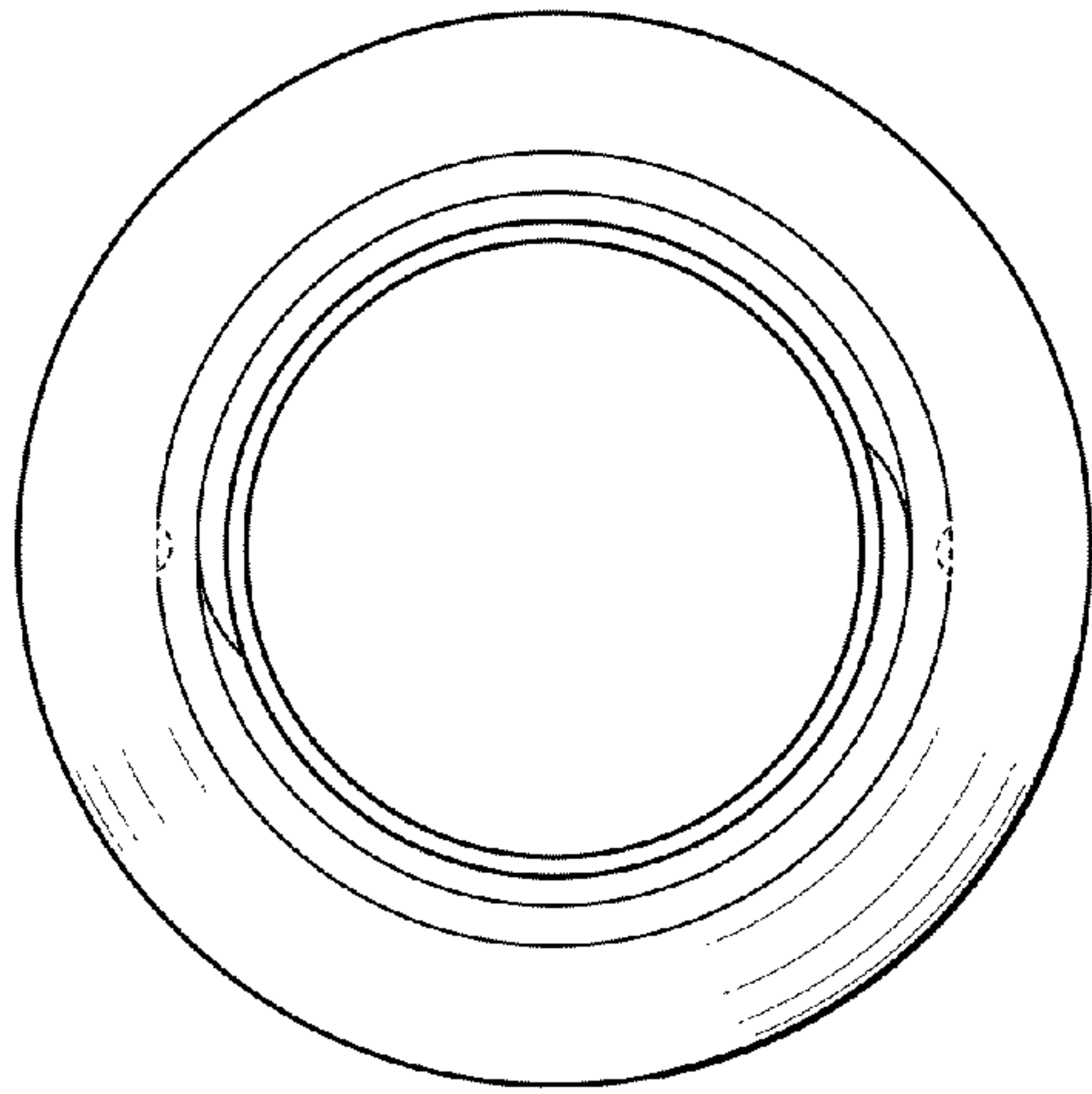
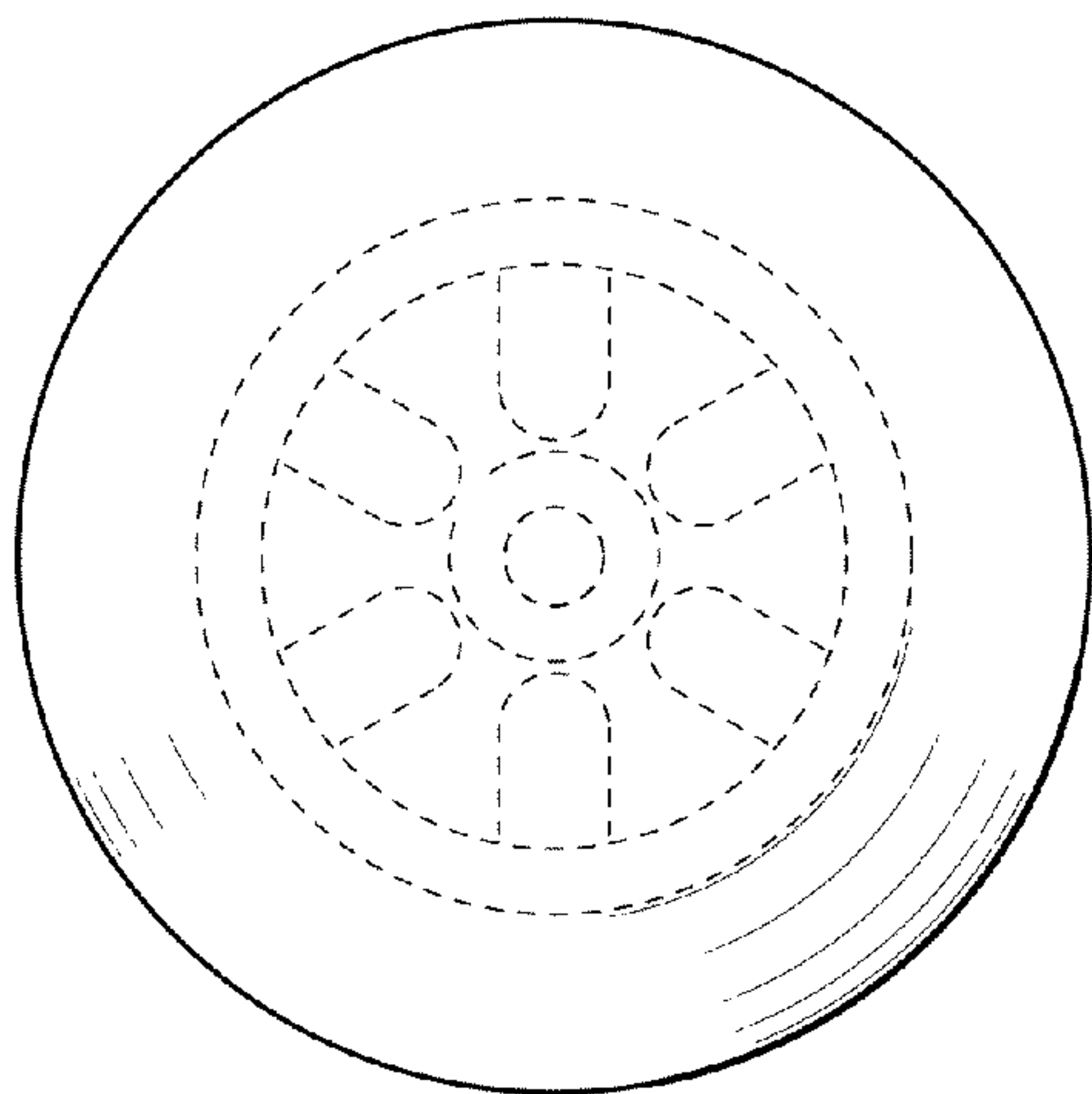


FIG. 4

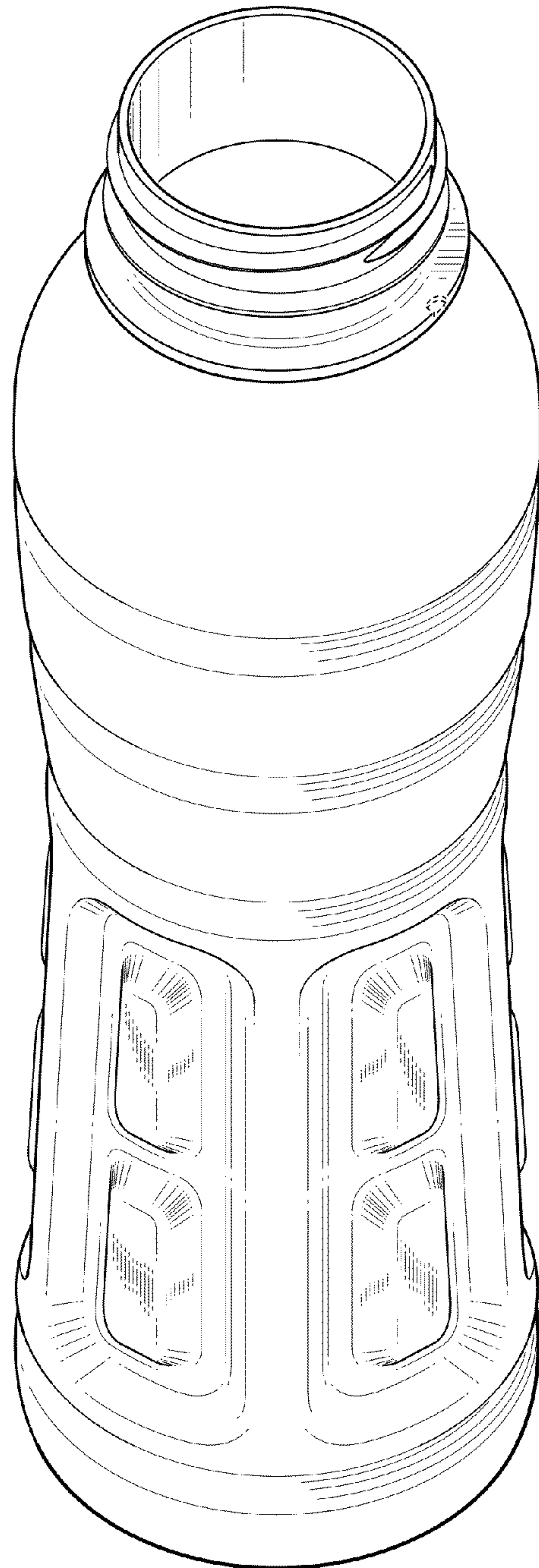




**FIG. 5**



**FIG. 6**



**FIG. 7**