



US00D740674S

(12) **United States Design Patent**
Rigsbee

(10) **Patent No.:** **US D740,674 S**

(45) **Date of Patent:** **** Oct. 13, 2015**

(54) **GROWLER BOTTLE**

(71) Applicant: **Jeffrey Brandon Rigsbee**, Leesburg, VA
(US)

(72) Inventor: **Jeffrey Brandon Rigsbee**, Leesburg, VA
(US)

(**) Term: **14 Years**

(21) Appl. No.: **29/486,069**

(22) Filed: **Mar. 26, 2014**

(51) **LOC (10) Cl.** **09-01**

(52) **U.S. Cl.**
USPC **D9/533**

(58) **Field of Classification Search**
USPC D9/435, 516, 529-537, 544, 564, 565,
D9/572, 573, 575; 215/248, 307, 381-385,
215/902; 220/660, 669, 662, 675
See application file for complete search history.

(56) **References Cited**

U.S. PATENT DOCUMENTS

D176,022 S * 11/1955 King D9/772
D238,143 S * 12/1975 Bay D9/536

D258,564 S * 3/1981 Hayes D9/536
D258,936 S * 4/1981 Hayes D9/536
D580,710 S * 11/2008 Huggins D7/515
D668,962 S * 10/2012 Middleton D9/680
D673,050 S * 12/2012 Pennington et al. D9/531
D676,752 S * 2/2013 Middleton D9/533

* cited by examiner

Primary Examiner — Derrick Holland

Assistant Examiner — Janice Lim

(74) *Attorney, Agent, or Firm* — Kevin Keener; Kenner and Associates

(57) **CLAIM**

The ornamental design for a growler bottle, as shown and described.

DESCRIPTION

FIG. 1 is a perspective front view of a growler bottle;
FIG. 2 is a left side elevation view of the growler bottle;
FIG. 3 is a top plan view of the growler bottle;
FIG. 4 is a rear elevation view of the growler bottle;
FIG. 5 is a right side elevation view of the growler bottle; and,
FIG. 6 is a bottom plan view of the growler bottle.

1 Claim, 2 Drawing Sheets

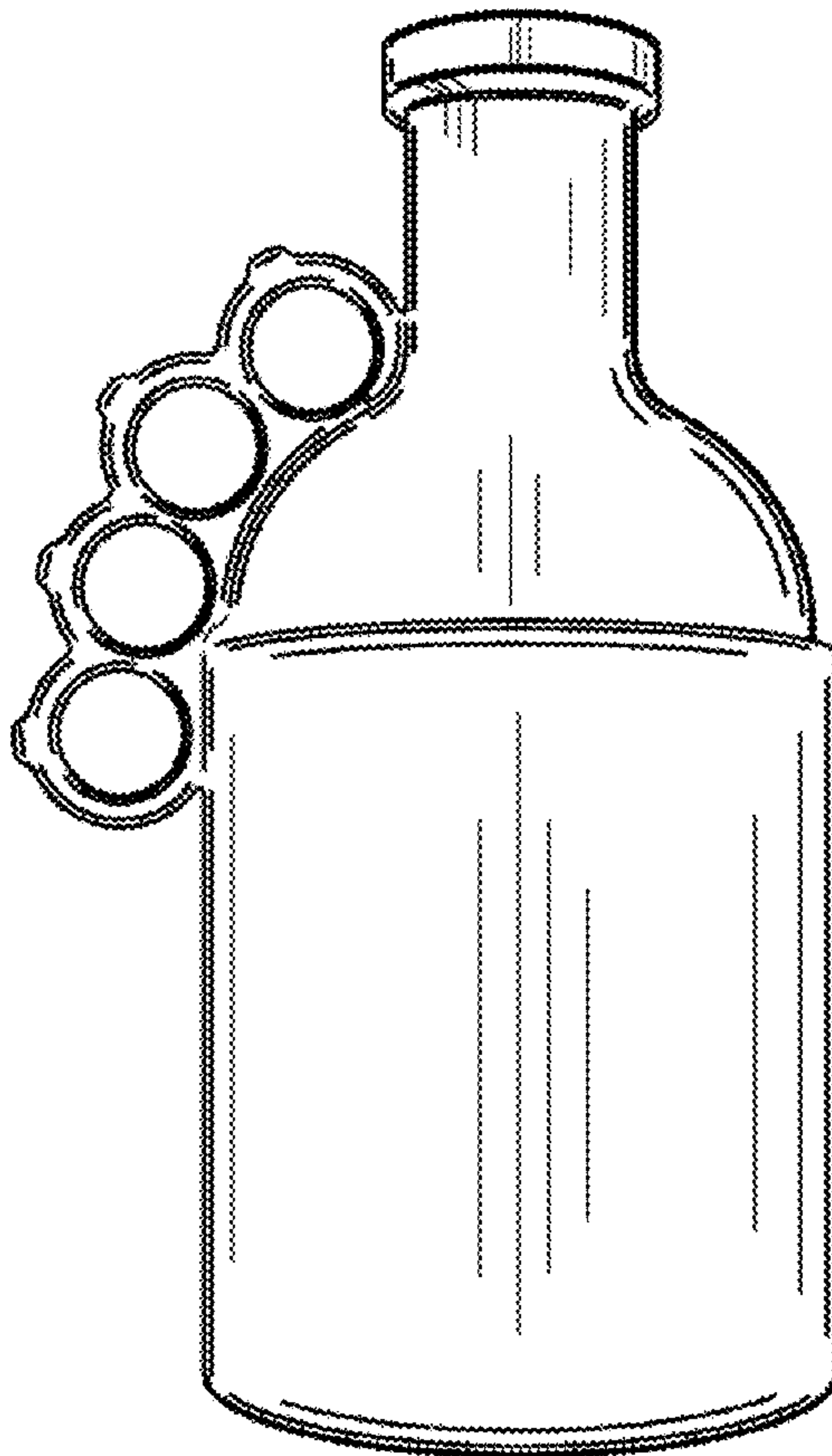


Fig. 1

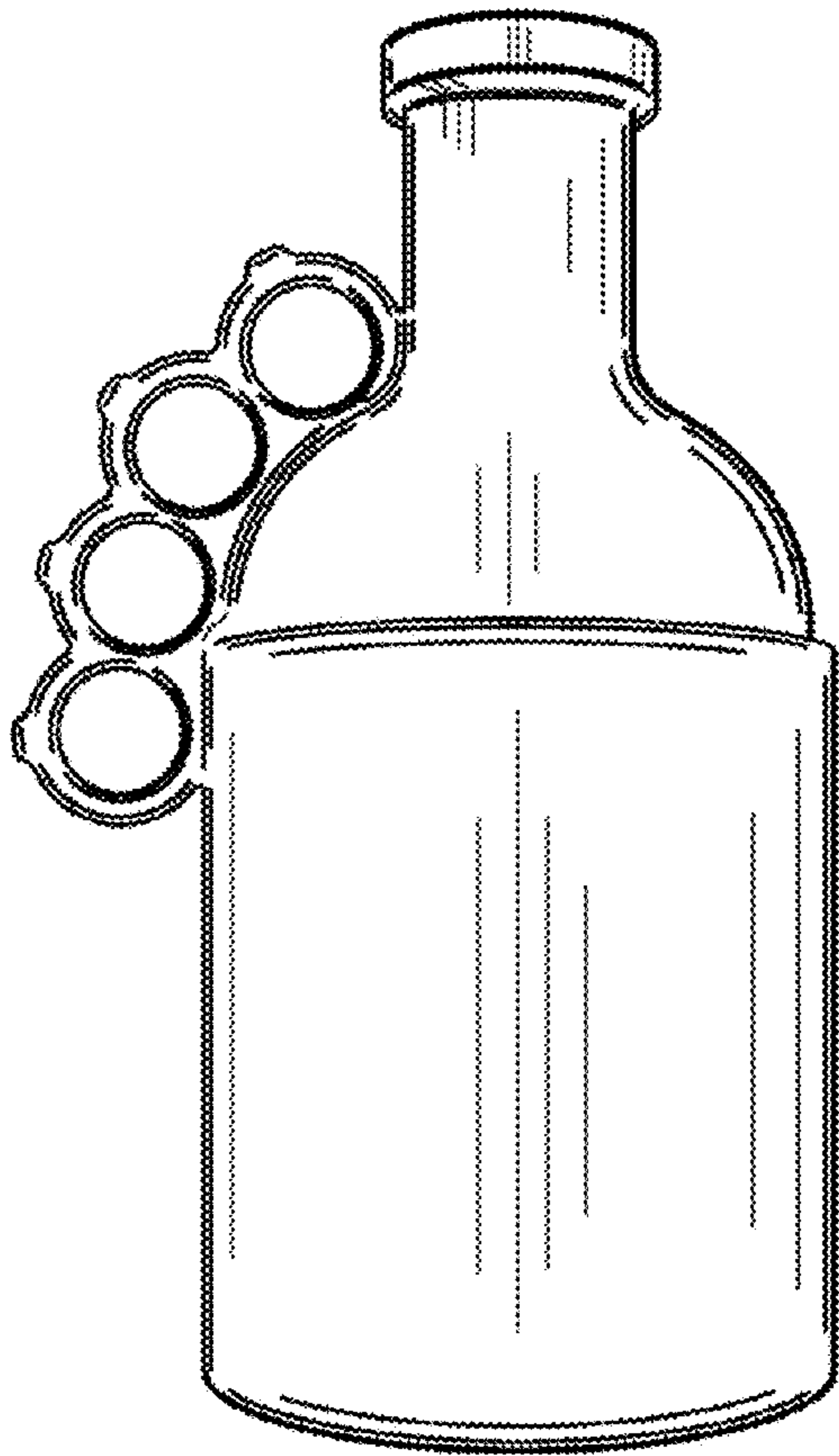


Fig. 2

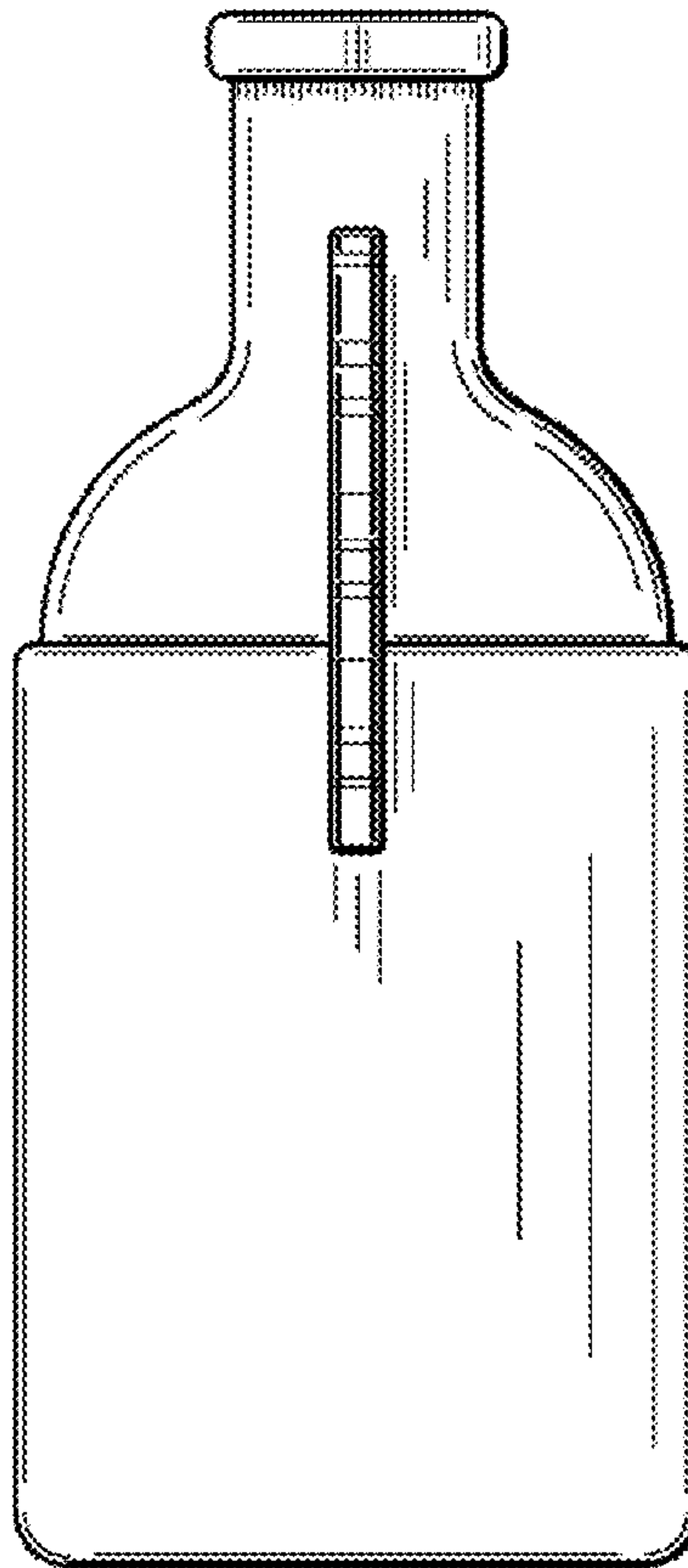


Fig. 3

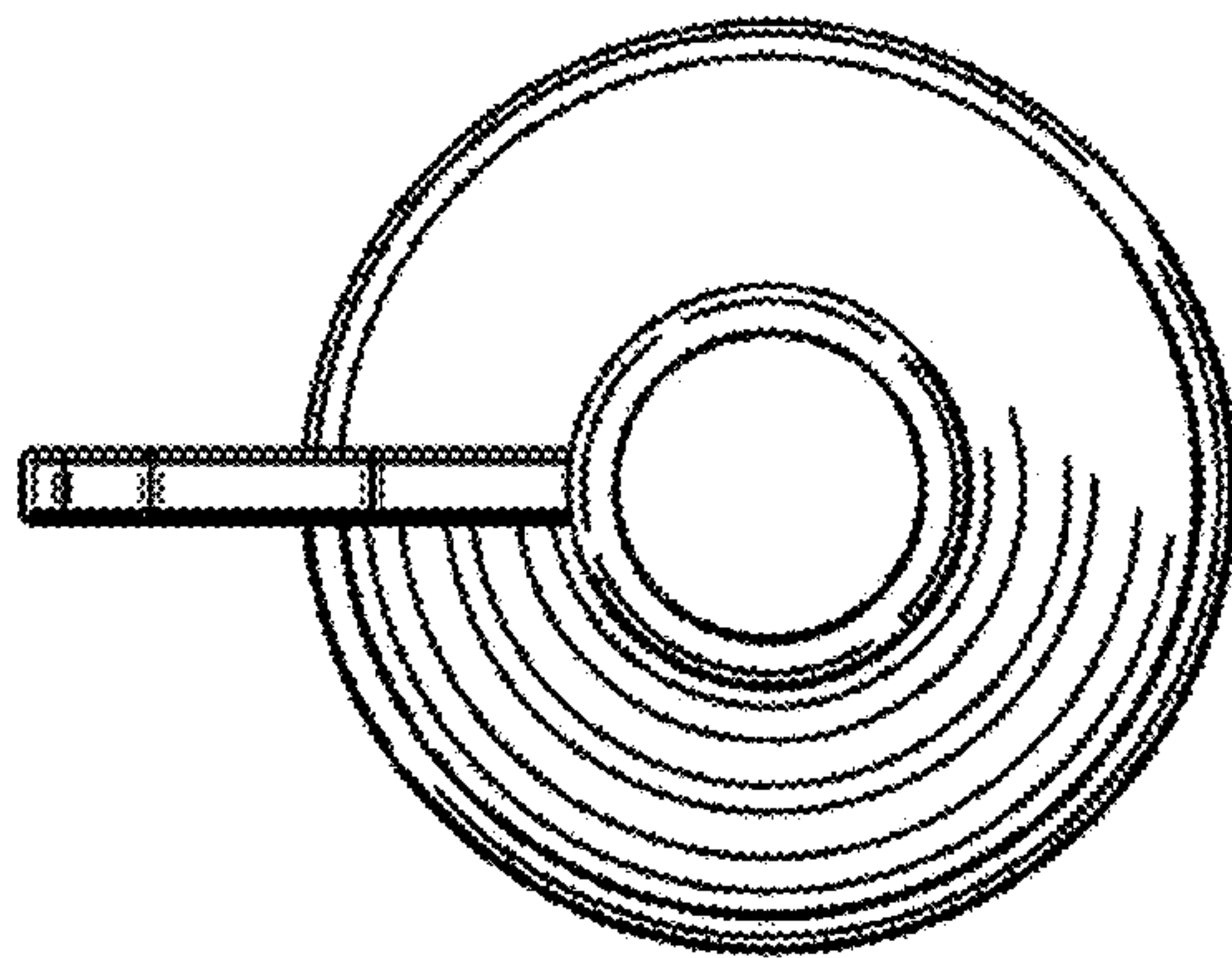


Fig. 4

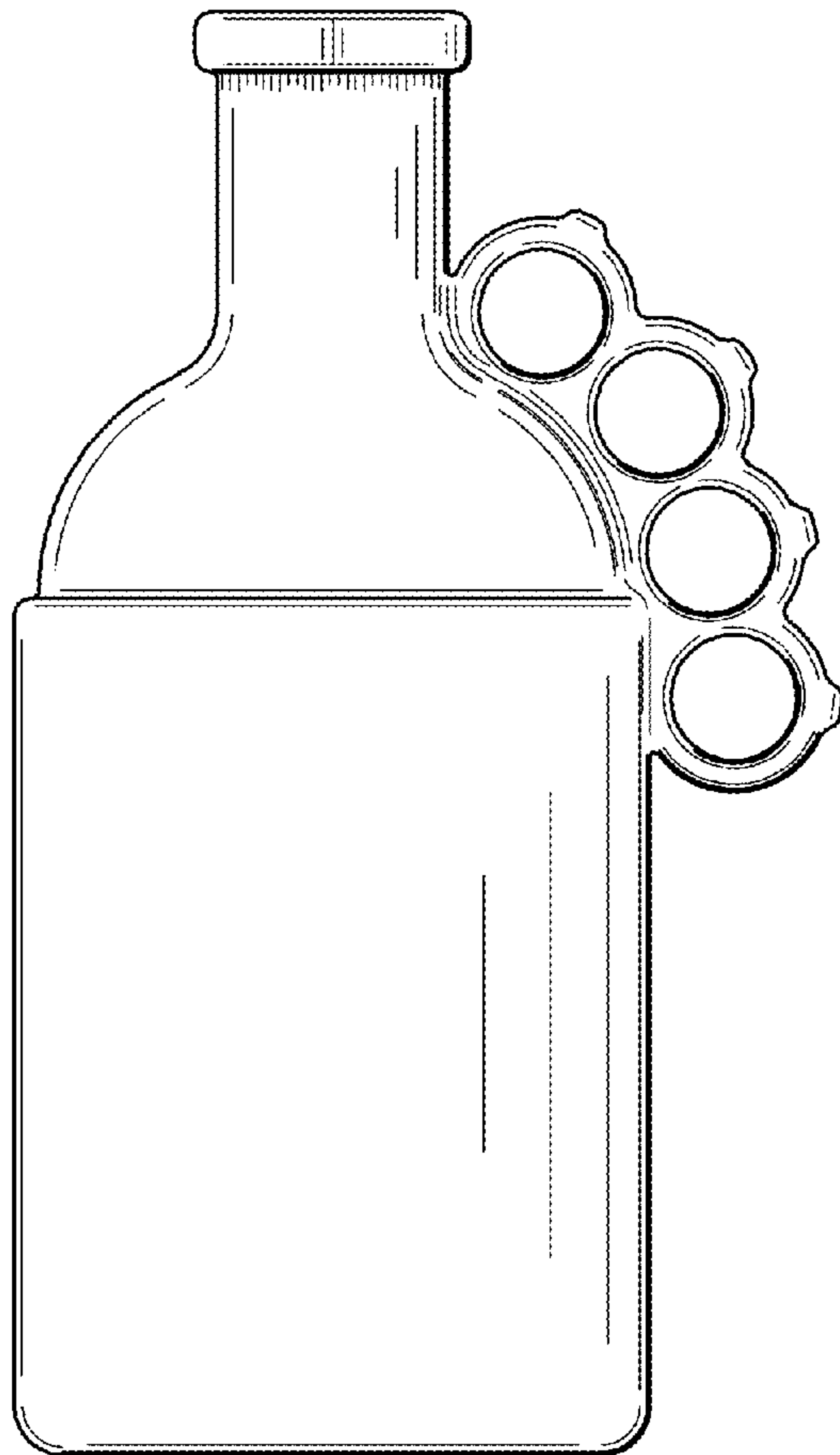


Fig. 5

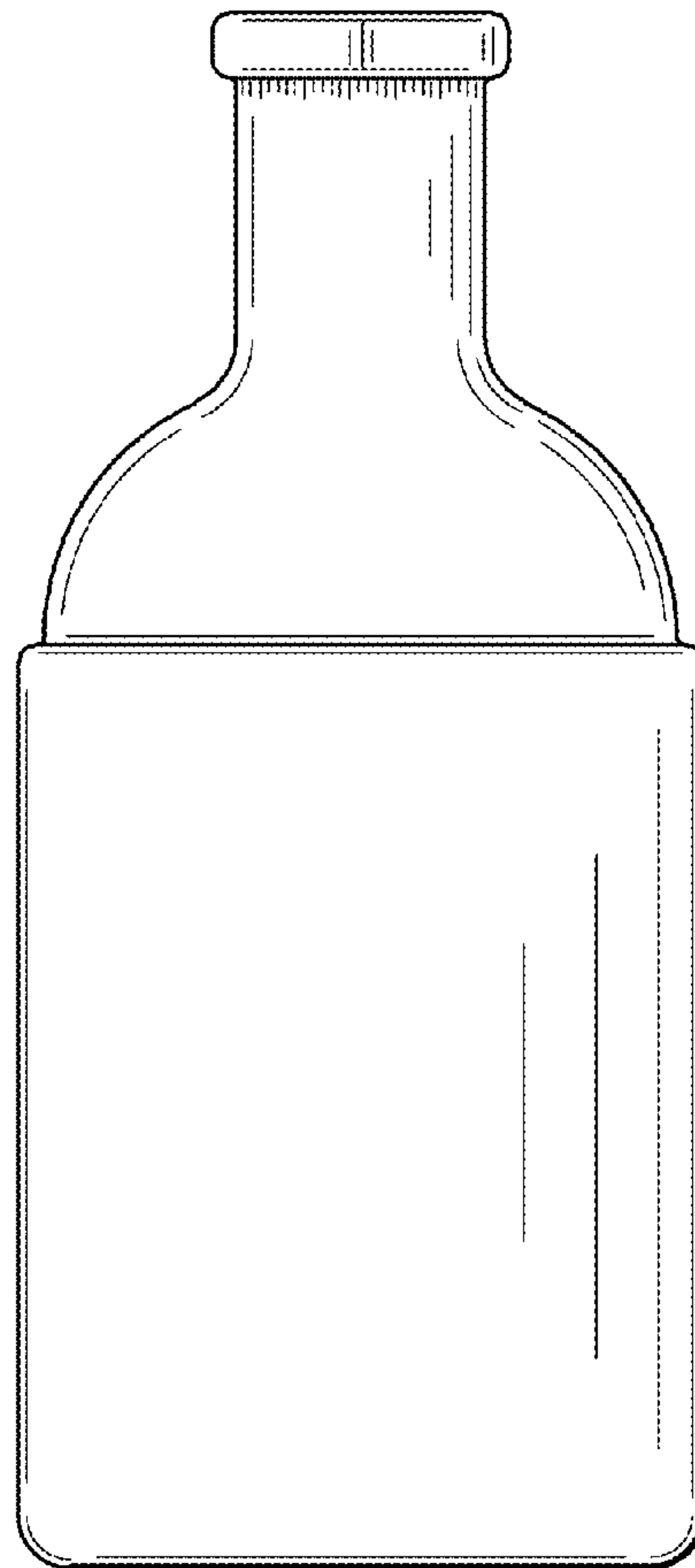


Fig. 6

