



US00D740667S

(12) **United States Design Patent**
Marasligiller et al.

(10) **Patent No.:** **US D740,667 S**

(45) **Date of Patent:** **** Oct. 13, 2015**

(54) **CUP FOR A SIPPY CUP**

(74) *Attorney, Agent, or Firm* — Caesar Rivise, PC

(71) Applicant: **Tervis Tumbler Company**, North Venice, FL (US)

(57) **CLAIM**
The ornamental design for the cup for a sippy cup, as shown and described.

(72) Inventors: **Ares M. Marasligiller**, Cincinnati, OH (US); **Aldo Javier Barreto**, Amelia, OH (US); **Yashodhan H. Dhuru**, Cincinnati, OH (US)

DESCRIPTION

(73) Assignee: **Tervis Tumbler Company**, North Venice, FL (US)

(**) Term: **14 Years**

(21) Appl. No.: **29/449,453**

(22) Filed: **Mar. 15, 2013**

(51) **LOC (10) Cl.** **07-01**

(52) **U.S. Cl.**
USPC **D9/523**

(58) **Field of Classification Search**
USPC D7/509–511, 523, 529, 533, 608, D7/300.1; D9/537, 538, 545, 500, D9/503–505
CPC A47G 19/22–19/2222; A47G 19/2266–19/2272; B65D 1/0223; B65D 1/023; B65D 1/265; B65D 81/3865–81/3874
See application file for complete search history.

FIG. 1 is a perspective view of a cup for a sippy cup in accordance with a first embodiment of my design;
FIG. 2 is another perspective view of the cup for a sippy cup of FIG. 1;
FIG. 3 is a front elevational view of the cup for a sippy cup of FIG. 1;
FIG. 4 is a rear elevational view of the cup for a sippy cup of FIG. 1;
FIG. 5 is a left side elevational view of the cup for a sippy cup of FIG. 1;
FIG. 6 is a right side elevational view of the cup for a sippy cup of FIG. 1;
FIG. 7 is a top plan view of the cup for a sippy cup of FIG. 1;
FIG. 8 is a bottom plan view of the cup for a sippy cup of FIG. 1;
FIG. 9 is a perspective view of a cup for a sippy cup in accordance with a second embodiment of my design;
FIG. 10 is another perspective view of the cup for a sippy cup of FIG. 9;
FIG. 11 is a front elevational view of the cup for a sippy cup of FIG. 9;
FIG. 12 is a rear elevational view of the cup for a sippy cup of FIG. 9;
FIG. 13 is a left side elevational view of the cup for a sippy cup of FIG. 9;
FIG. 14 is a right side elevational view of the cup for a sippy cup of FIG. 9;
FIG. 15 is a top plan view of the cup for a sippy cup of FIG. 9; and,
FIG. 16 is a bottom plan view of the cup for a sippy cup of FIG. 9.
The broken lines represent environmental subject matter which forms no part of the claimed design.

(56) **References Cited**

U.S. PATENT DOCUMENTS

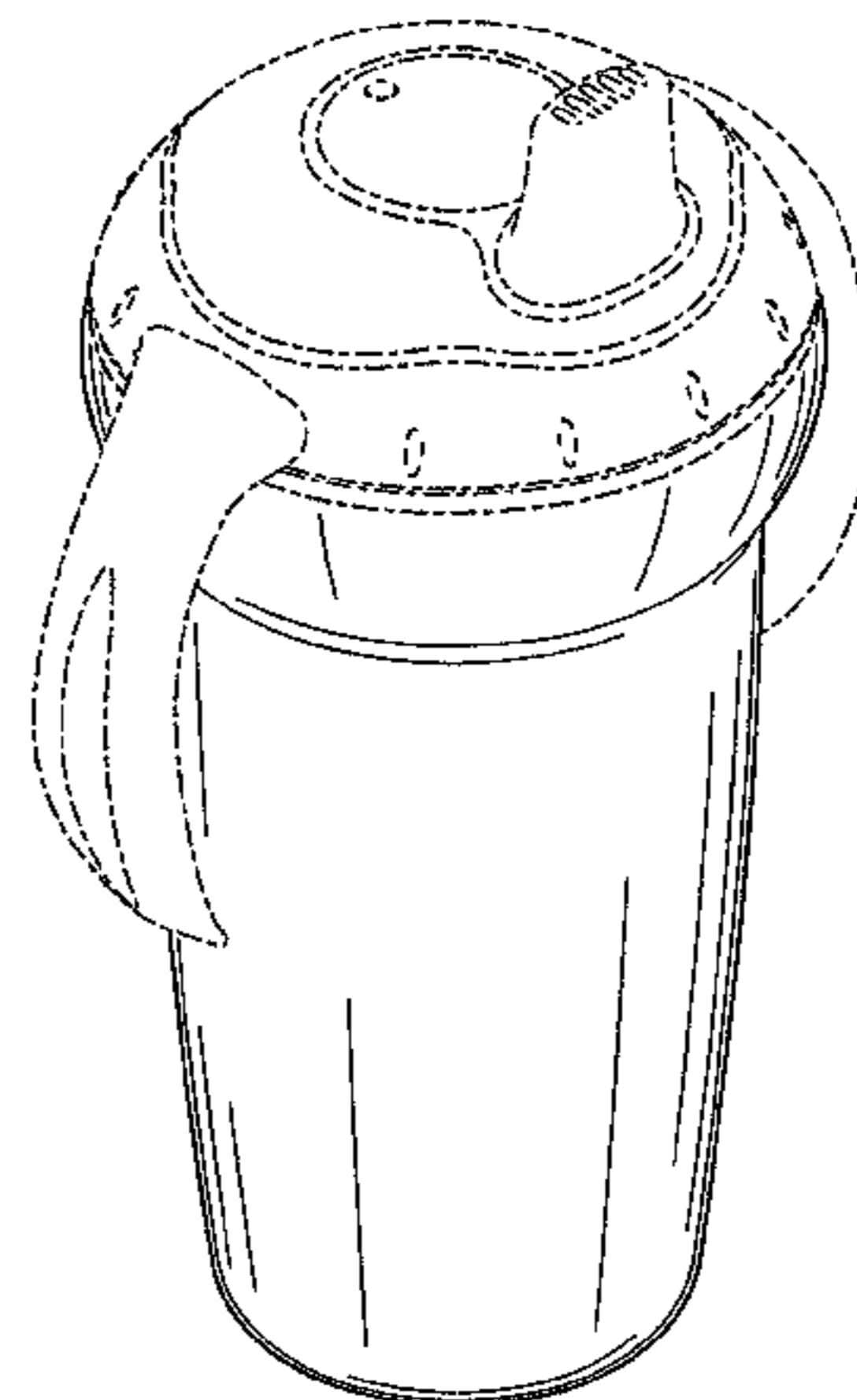
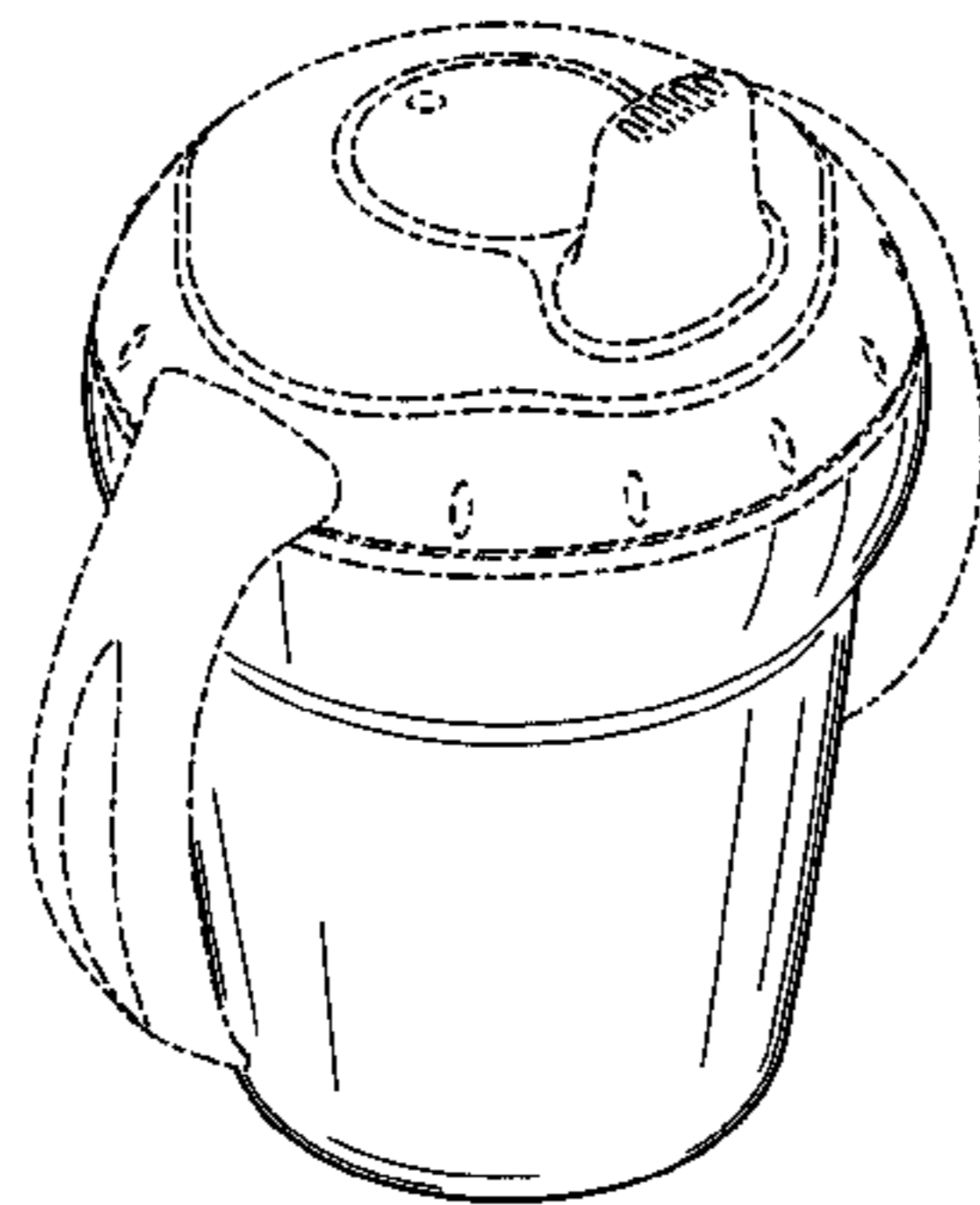
604,514	A *	5/1898	Belden	D7/523
D38,248	S *	9/1906	Helmer	D7/523
1,107,700	A *	8/1914	Pick	D7/523
D96,737	S *	9/1935	Funfrock	D7/523
D99,508	S *	5/1936	Hutchison	D7/523

(Continued)

Primary Examiner — Susan Bennett Hattan

Assistant Examiner — Brett Miller

1 Claim, 12 Drawing Sheets



(56)

References Cited

U.S. PATENT DOCUMENTS

2,136,755 A * 11/1938 Prince 210/464
 D114,568 S * 5/1939 Viatour D7/523
 3,521,788 A * 7/1970 Carter et al. 220/675
 D282,134 S * 1/1986 Durand D7/523
 D285,656 S * 9/1986 Champion D9/503
 5,449,089 A * 9/1995 Turner et al. 220/675
 D368,408 S * 4/1996 Ratcliff D7/536
 D422,842 S * 4/2000 Freed D7/533
 D424,877 S * 5/2000 Cayouette D7/523
 D433,599 S * 11/2000 Kristiansen et al. D7/523

D452,954 S * 1/2002 Westphal D9/776
 D460,324 S * 7/2002 Norris et al. D7/533
 D478,478 S * 8/2003 Soohoo et al. D7/586
 D522,864 S * 6/2006 Westphal D9/500
 D523,339 S * 6/2006 Westphal D9/500
 D546,125 S * 7/2007 Bhavnani D7/523
 D550,084 S * 9/2007 King D9/504
 D565,903 S * 4/2008 Bodum D7/523
 D568,156 S * 5/2008 Wilson et al. D9/500
 D648,599 S * 11/2011 Watanabe et al. D7/523
 D651,046 S * 12/2011 Myers D7/523
 D661,205 S * 6/2012 Myers D9/776
 2004/0094552 A1 * 5/2004 Featherston et al. 220/259.3

* cited by examiner

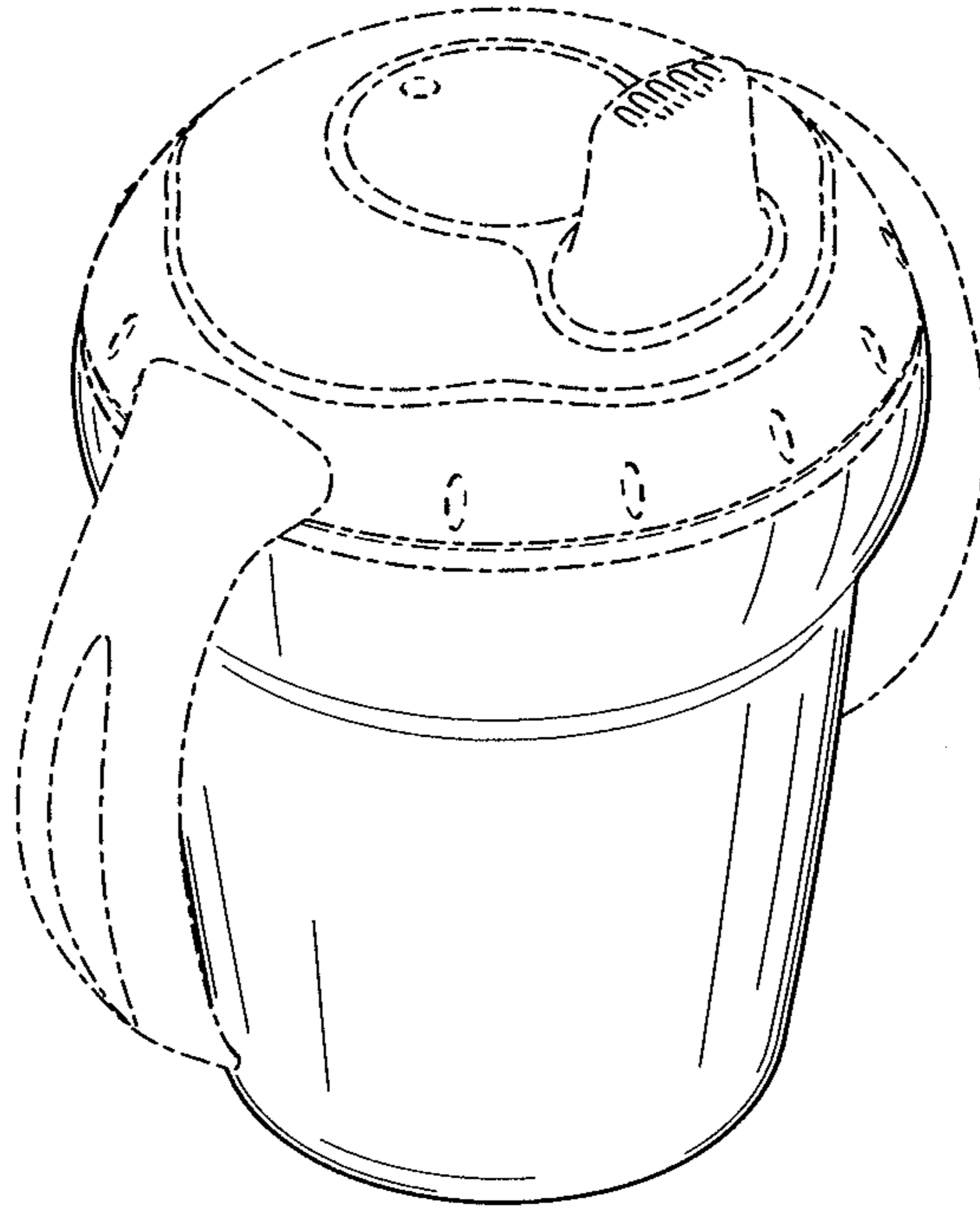


FIG. 1

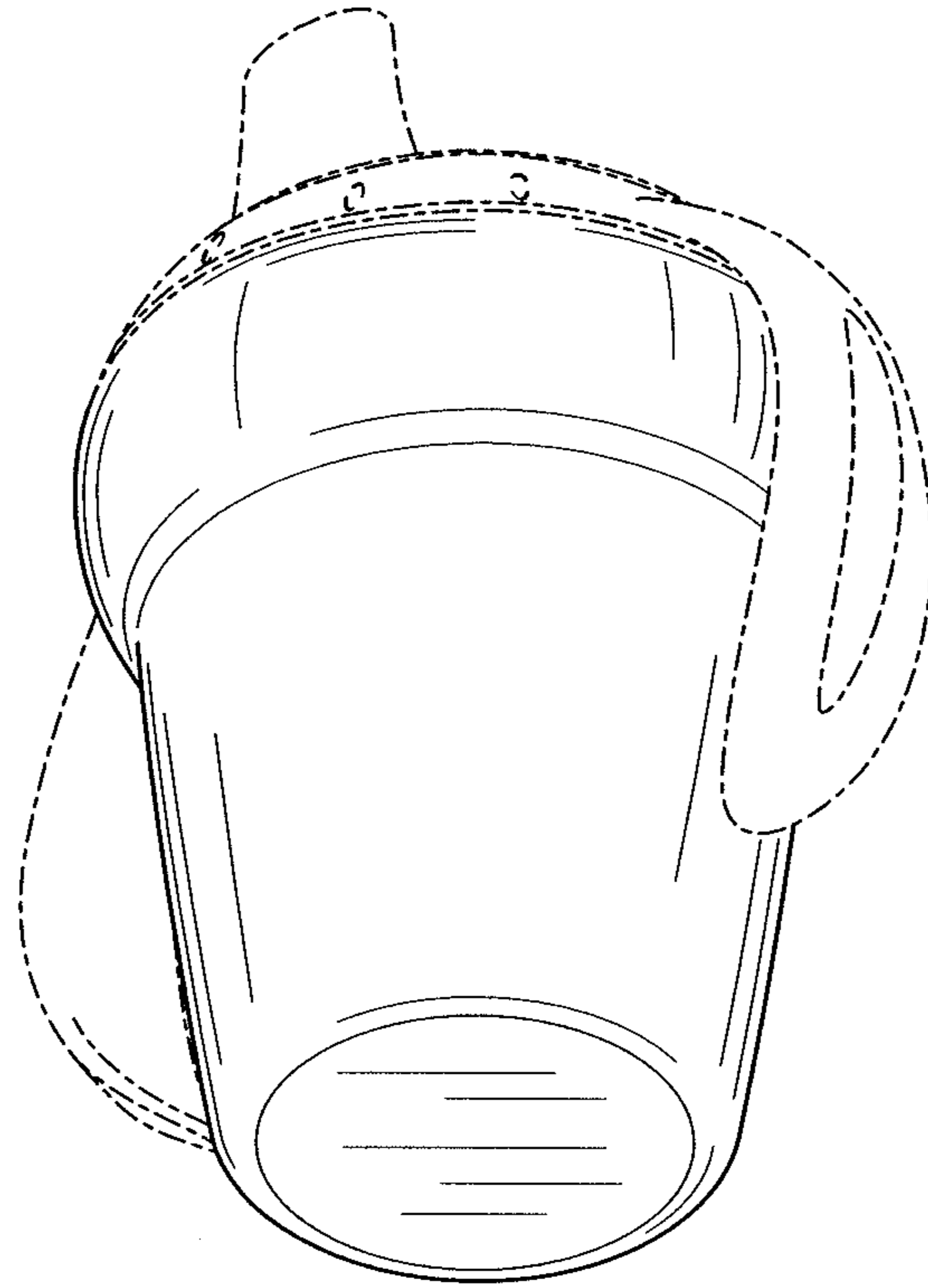


FIG. 2

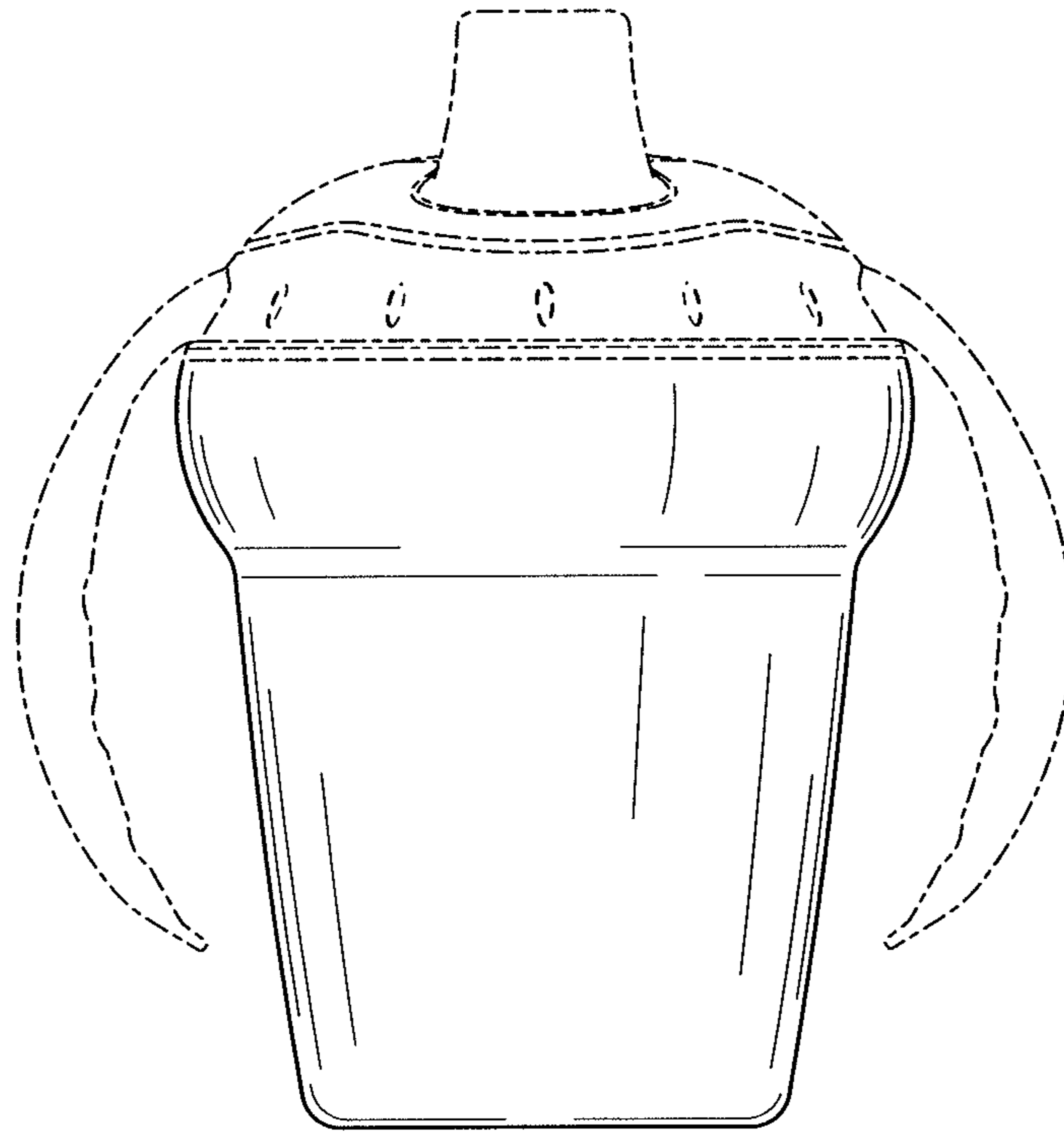


FIG. 3

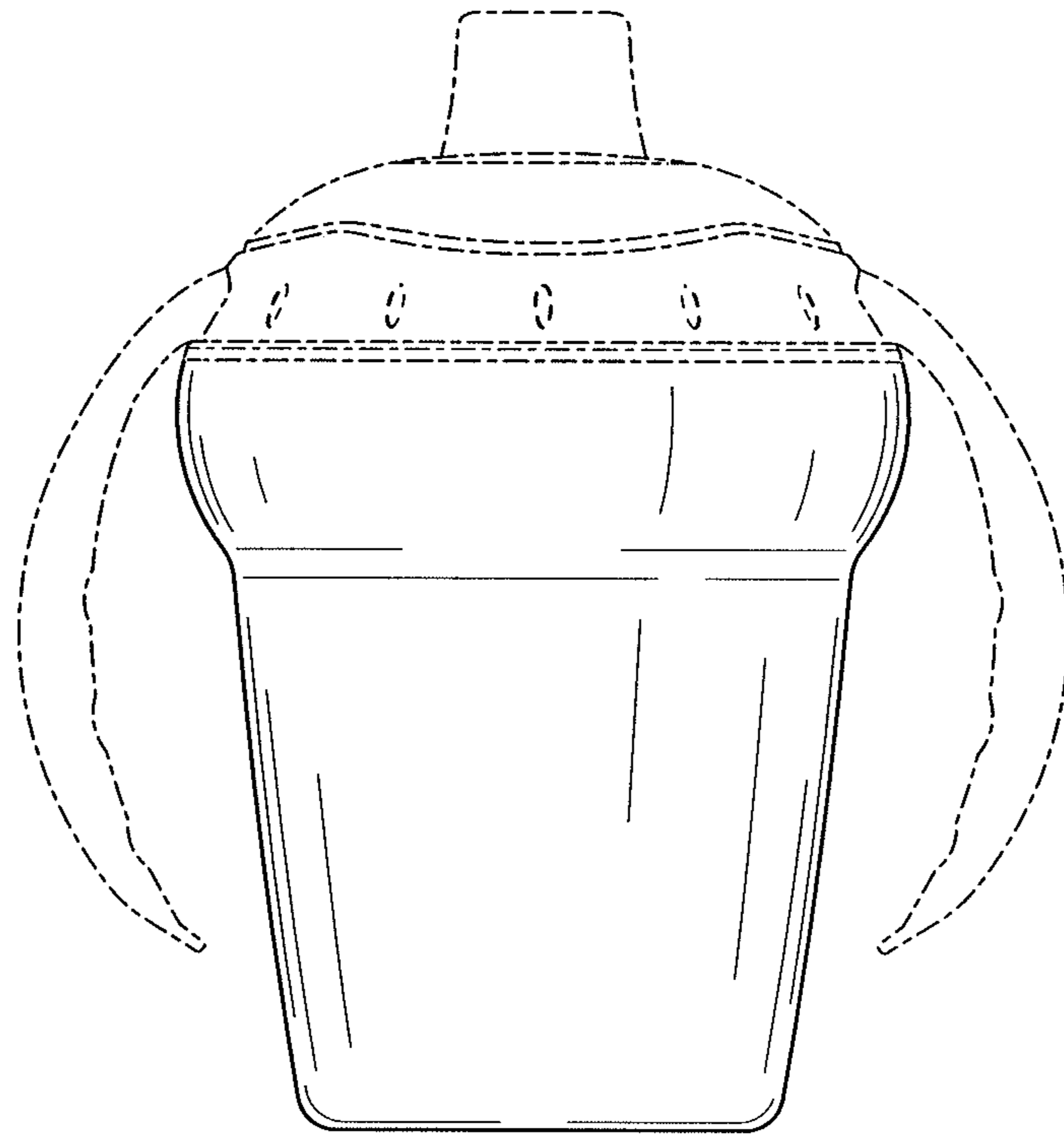


FIG. 4

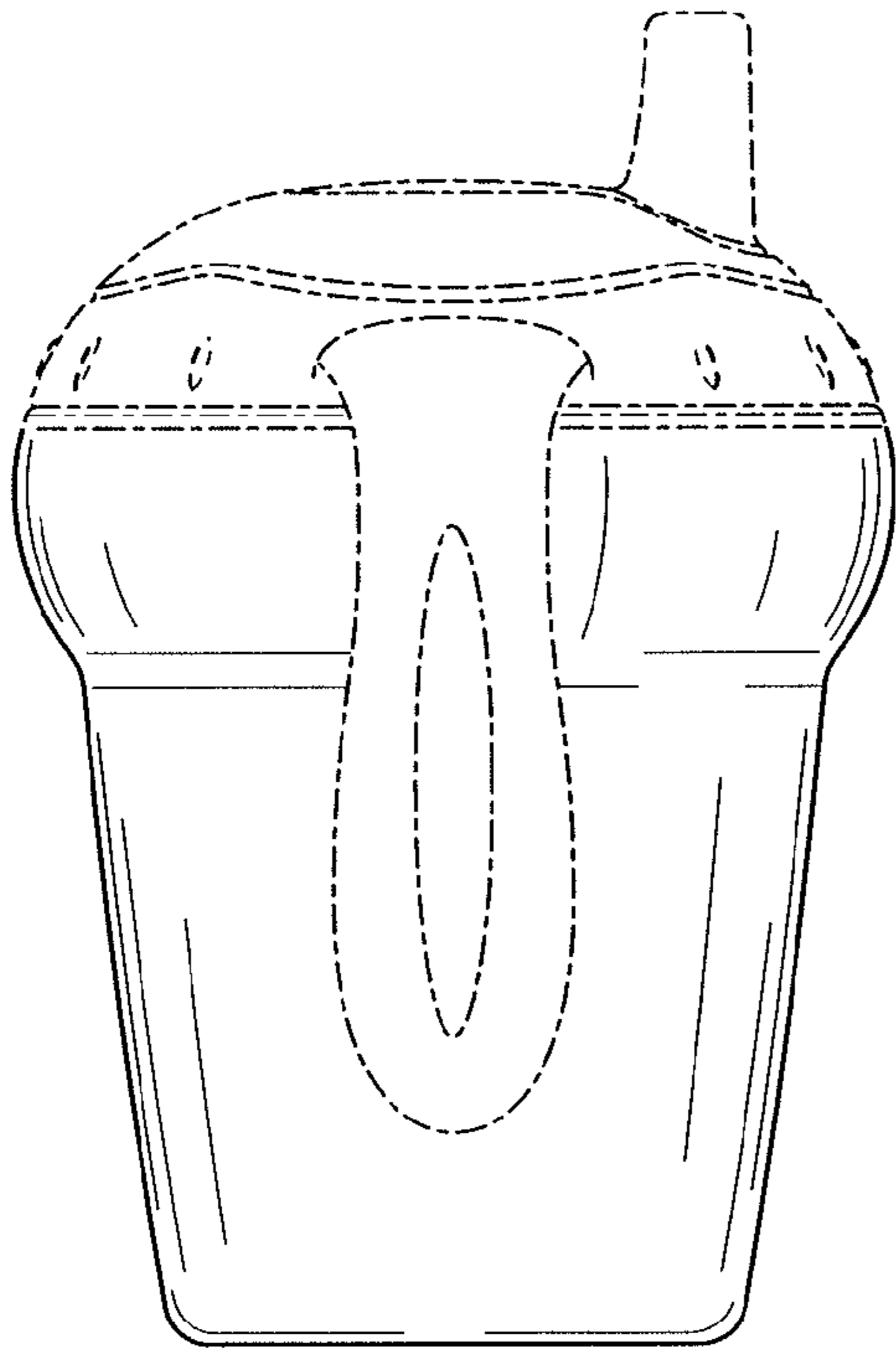


FIG. 5

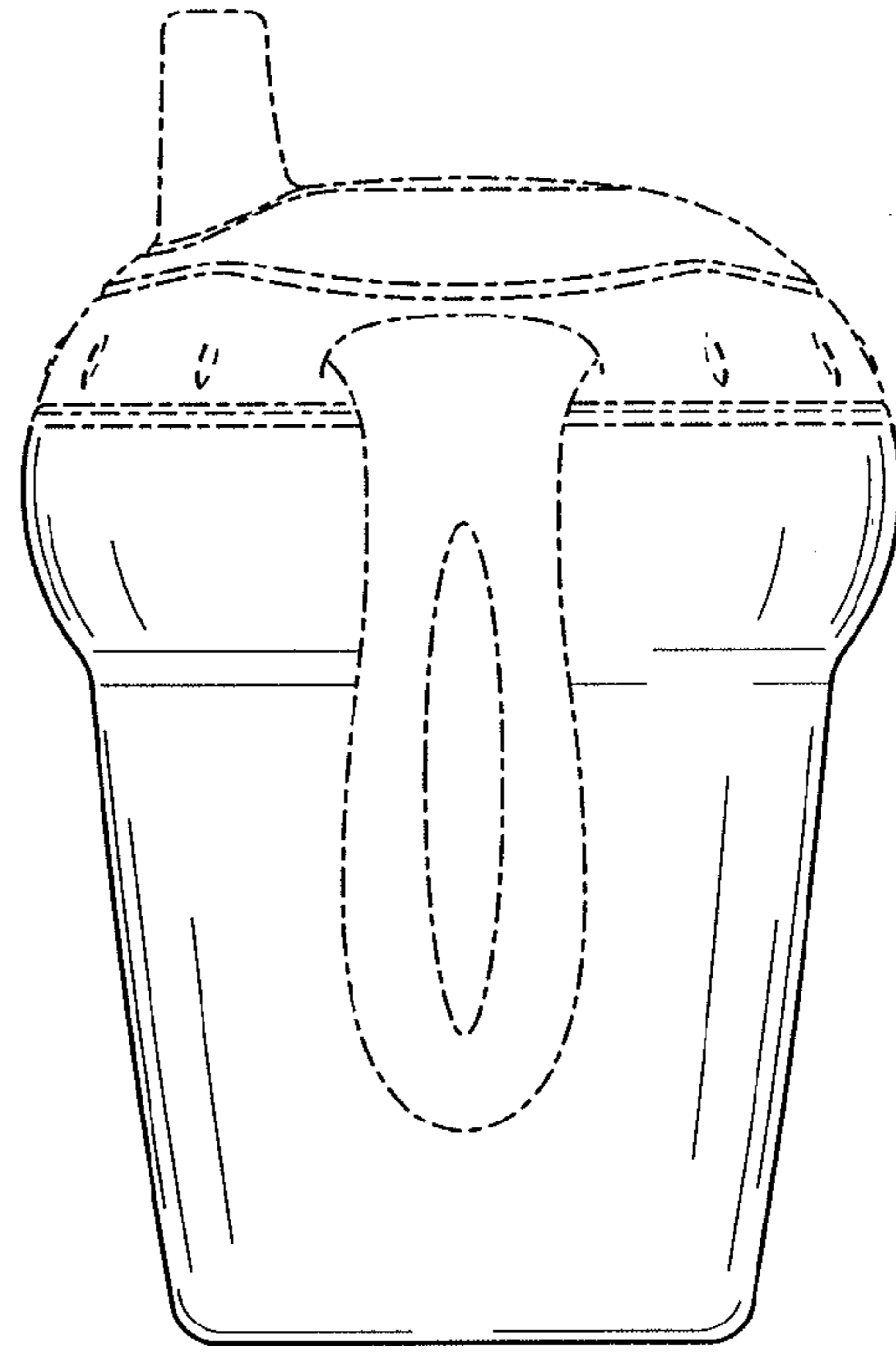


FIG. 6

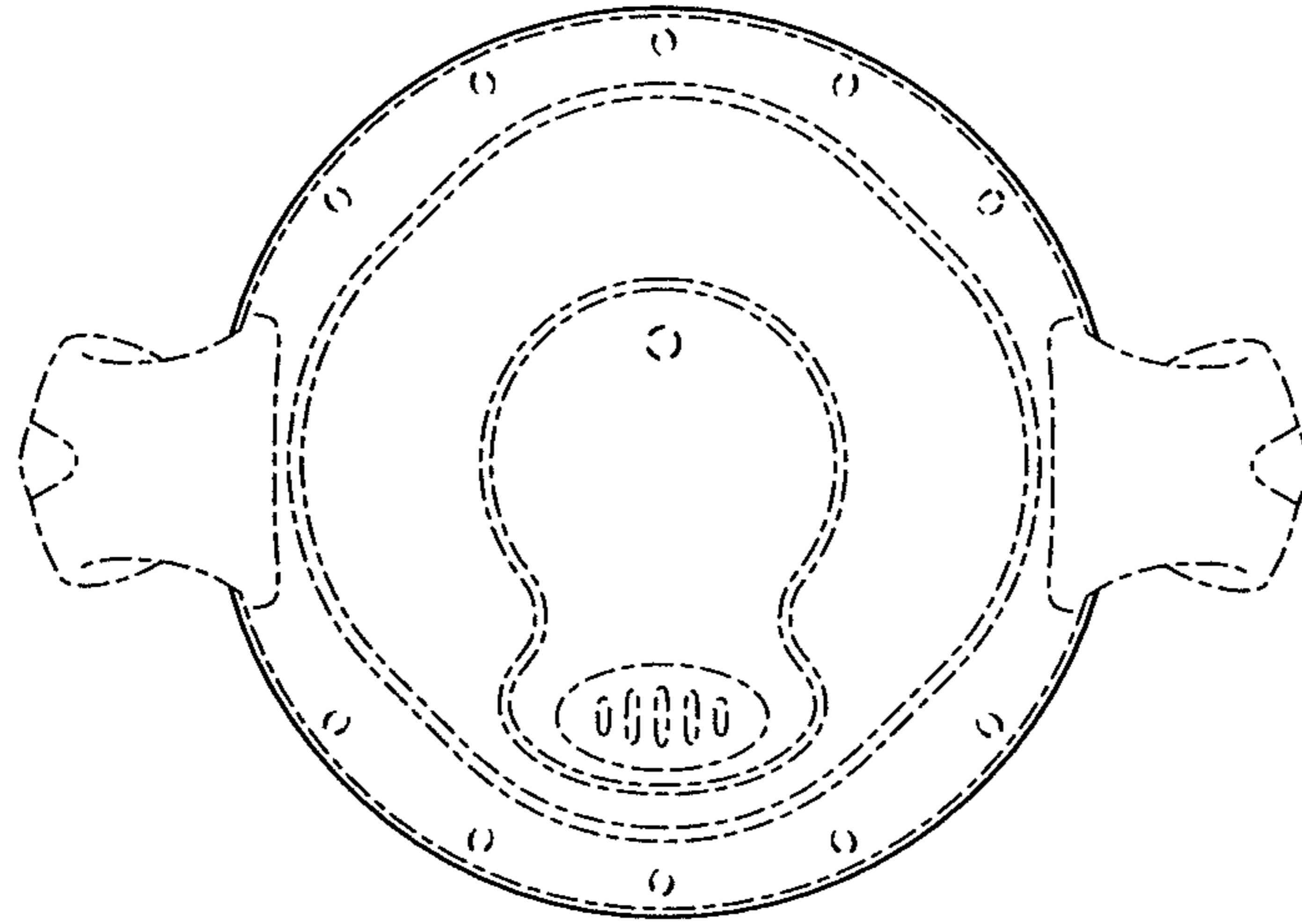


FIG. 7

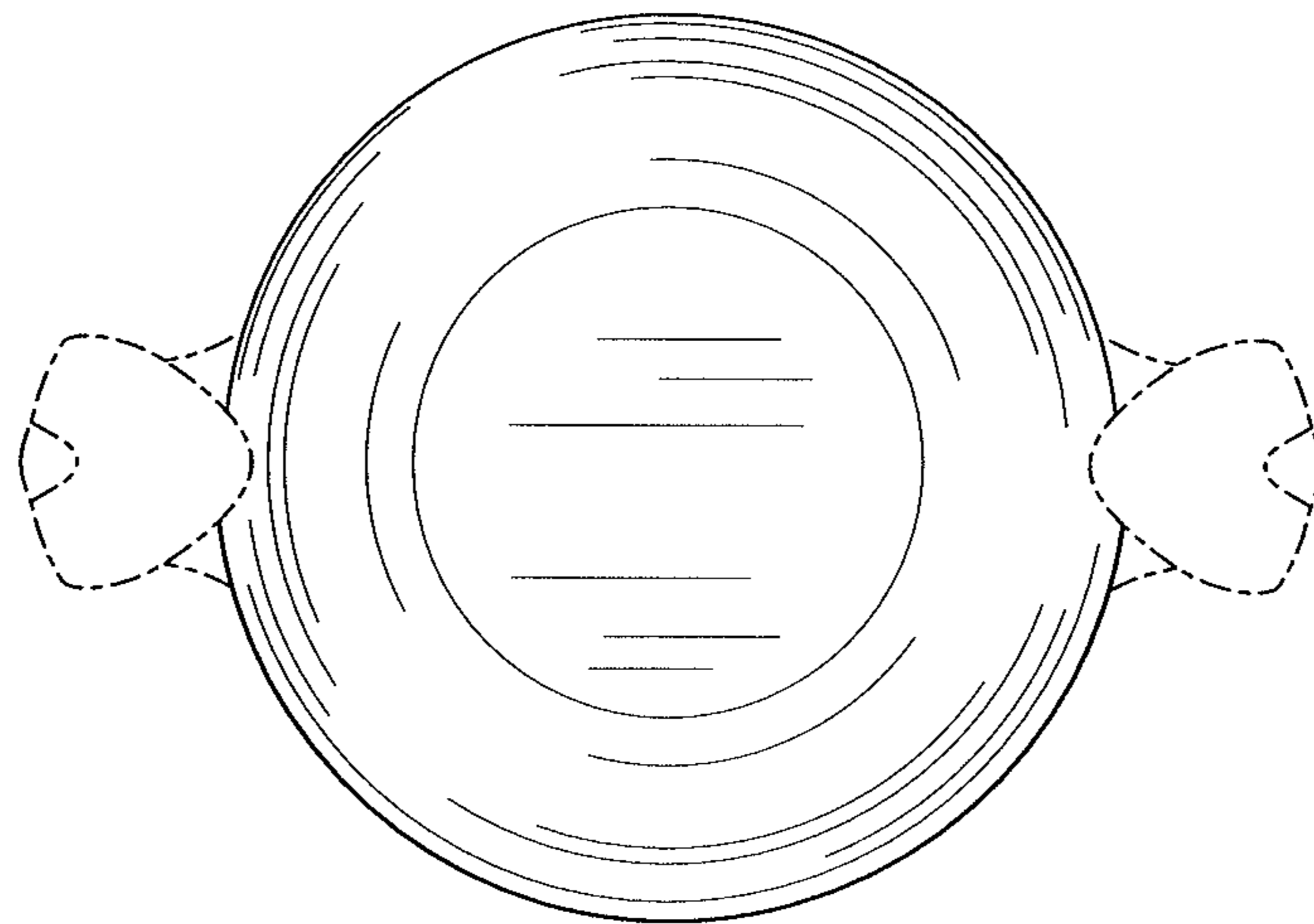


FIG. 8

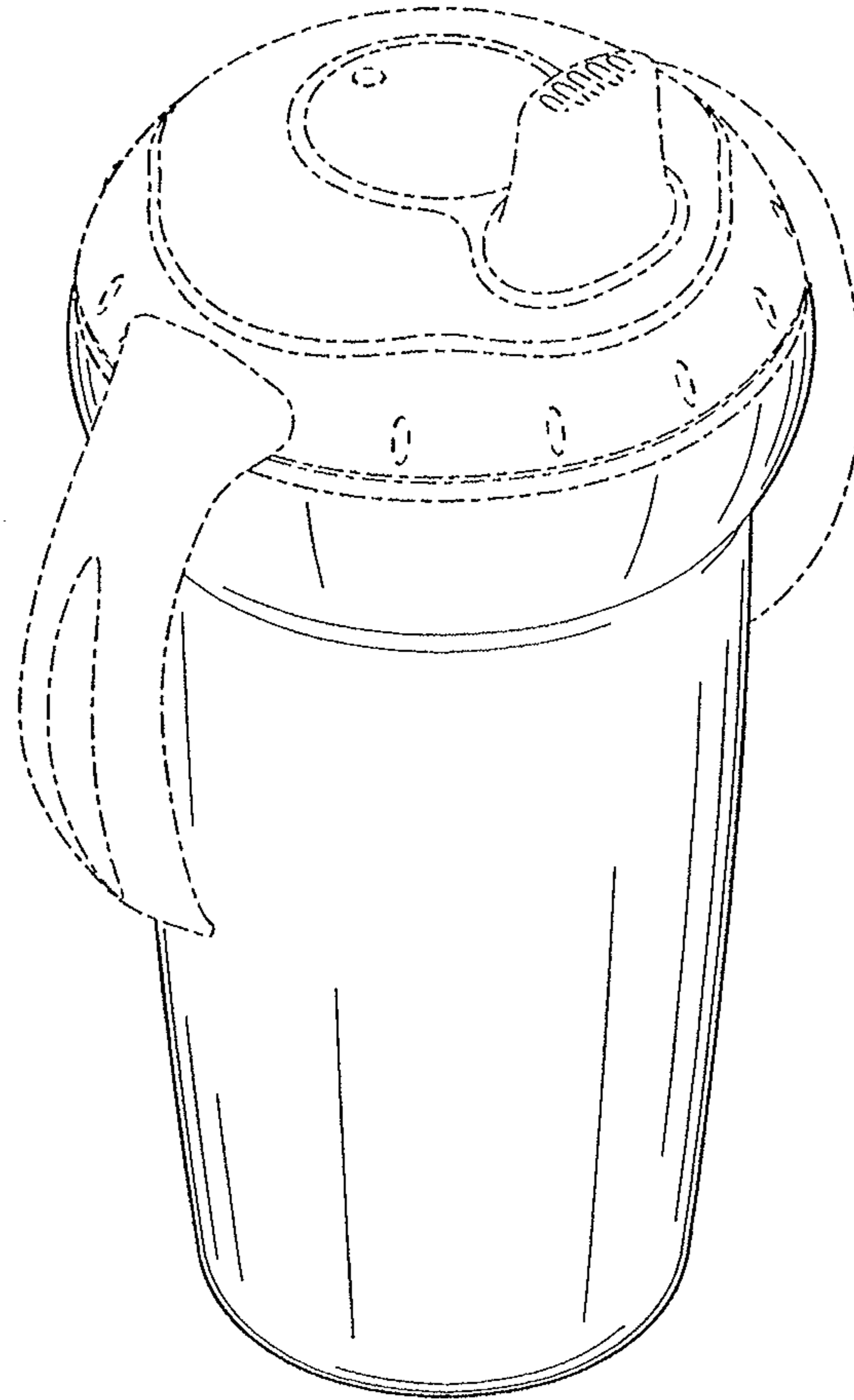


FIG. 9

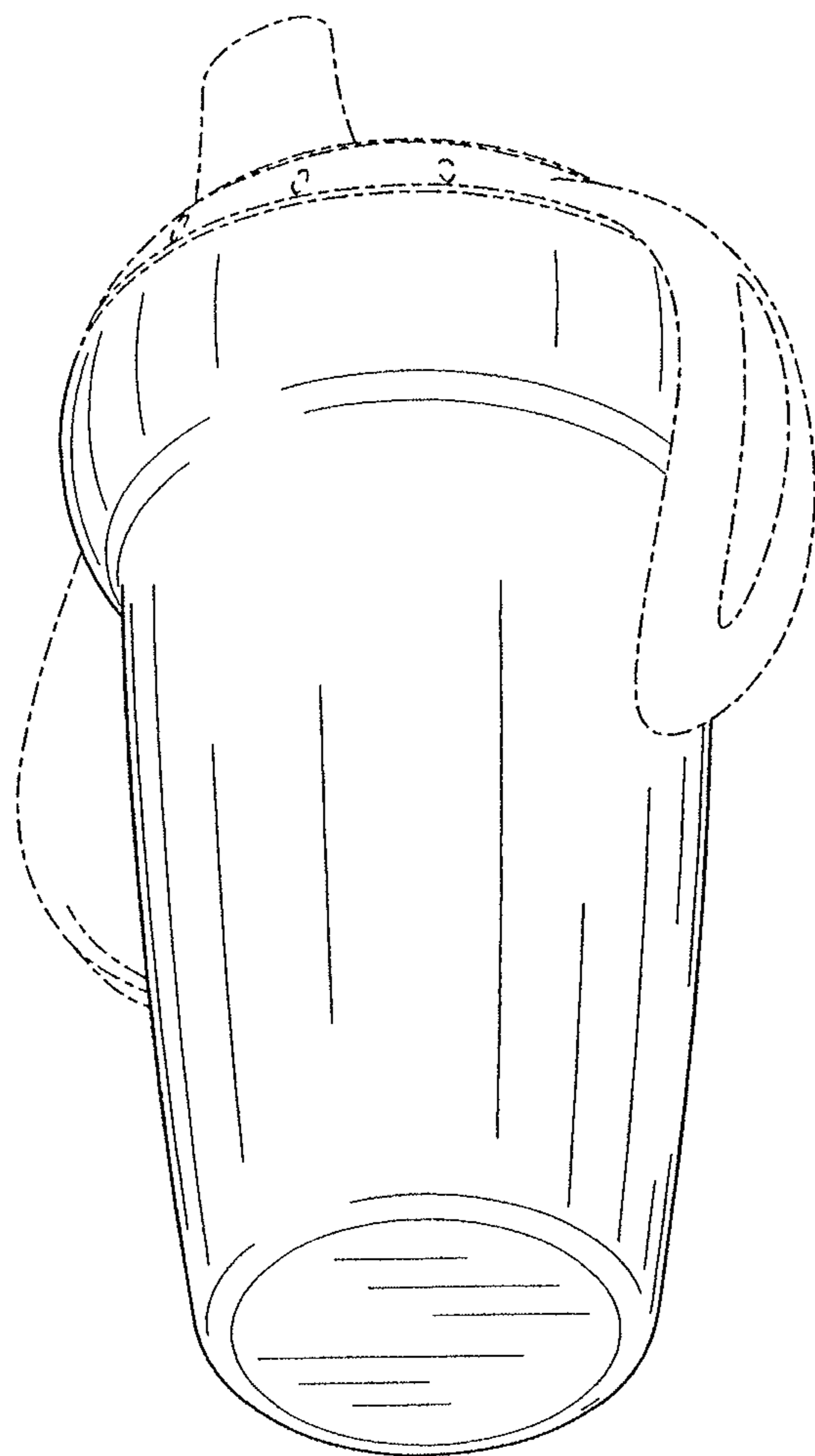


FIG. 10

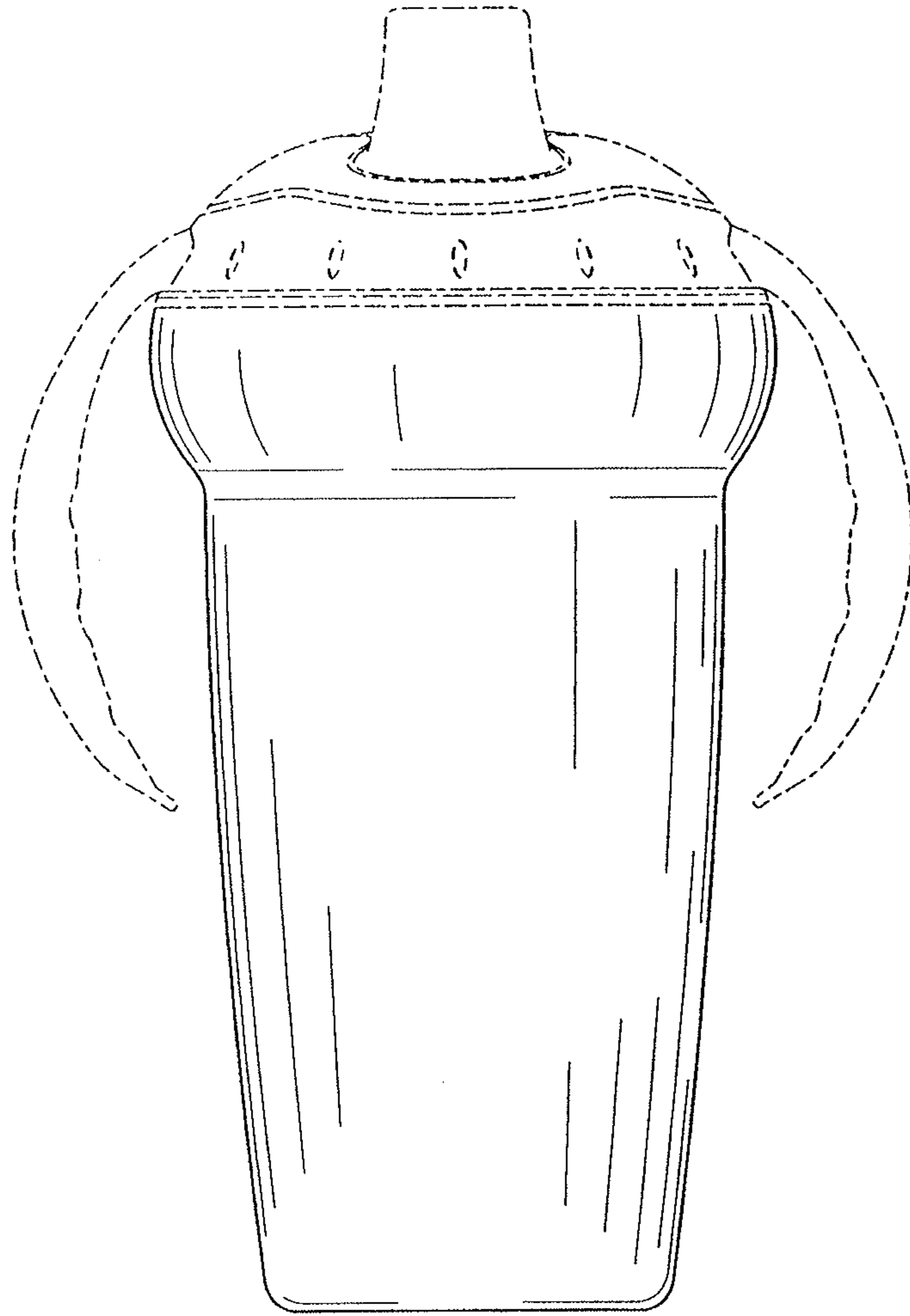


FIG. 11

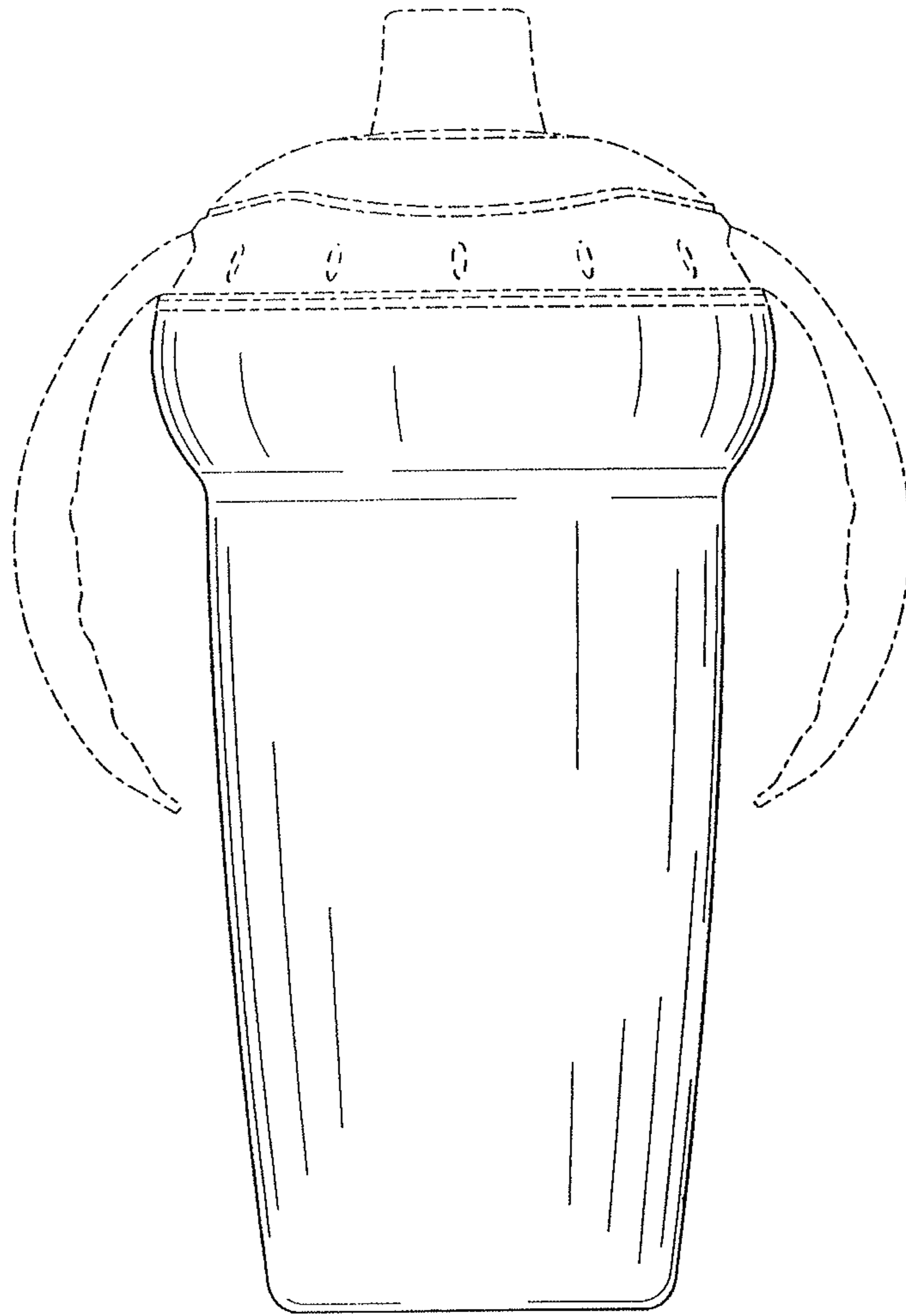


FIG. 12

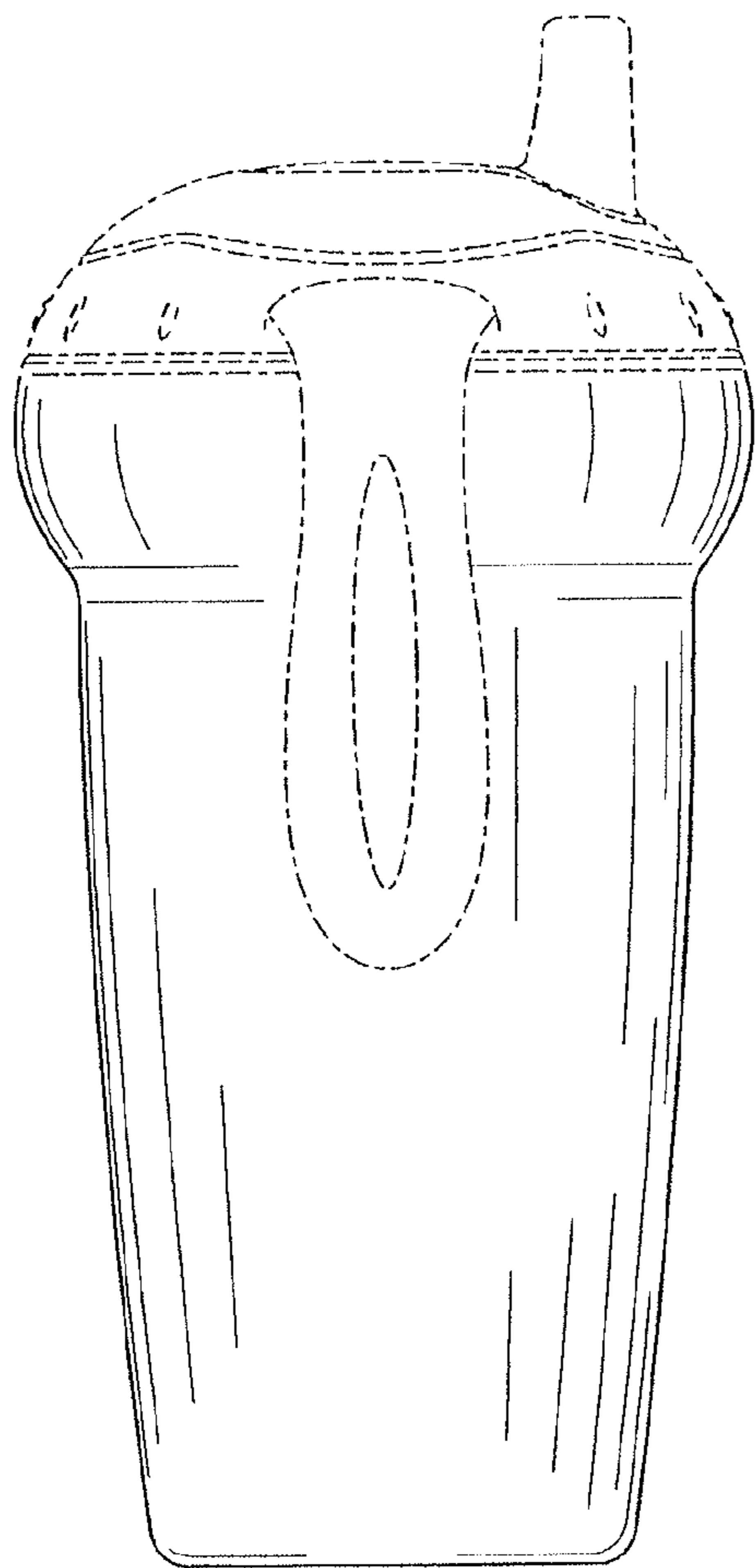


FIG. 13

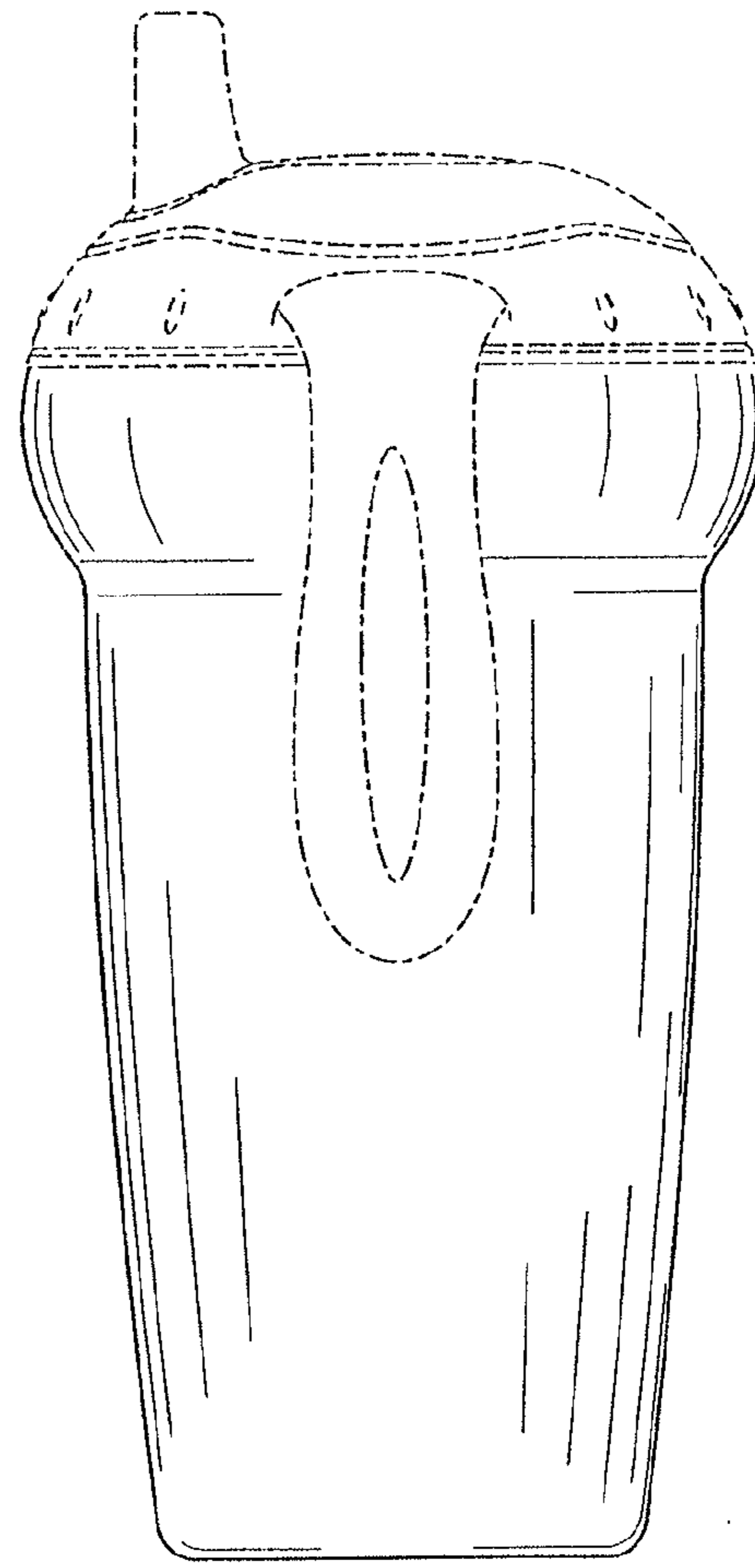


FIG. 14

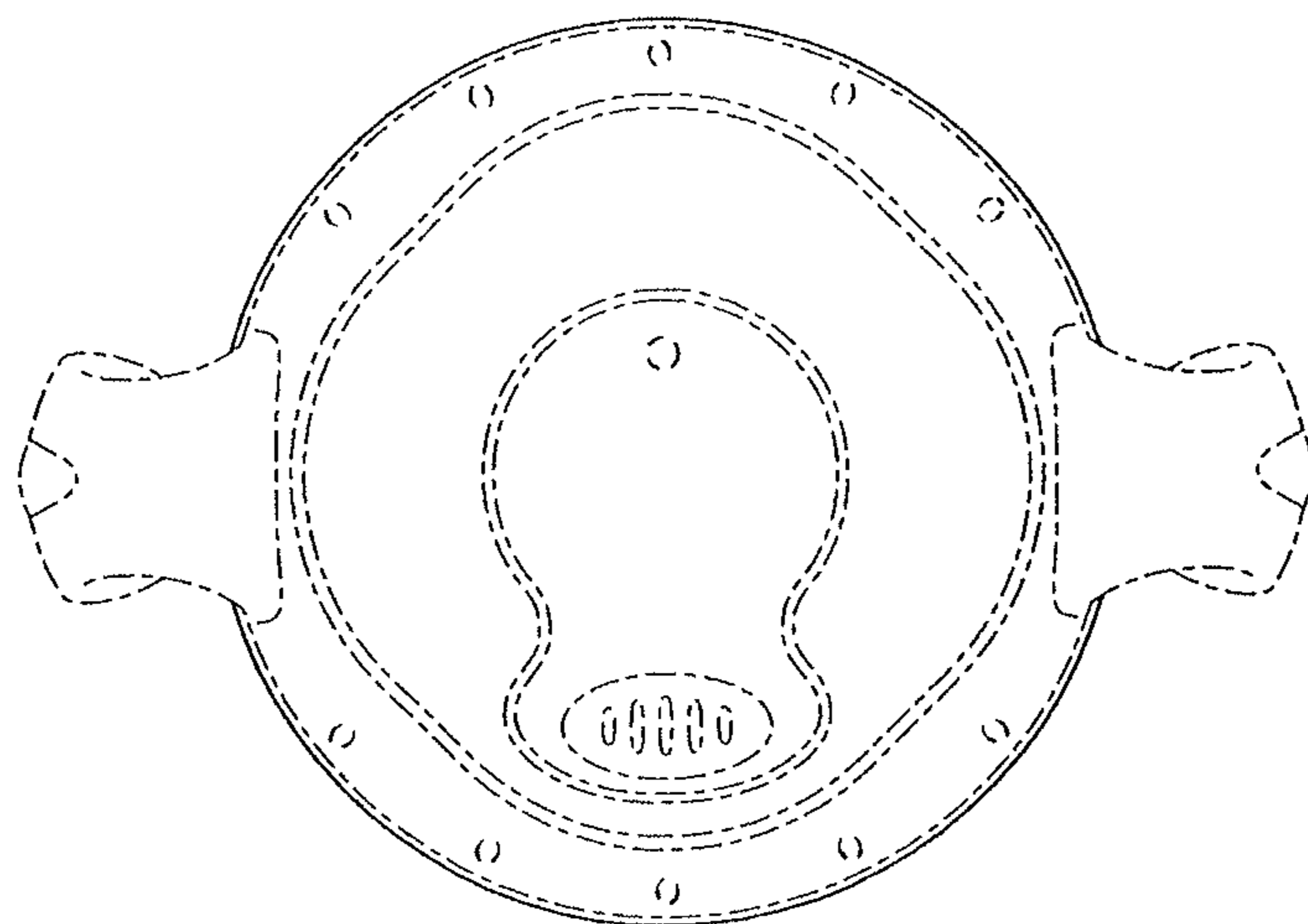


FIG. 15

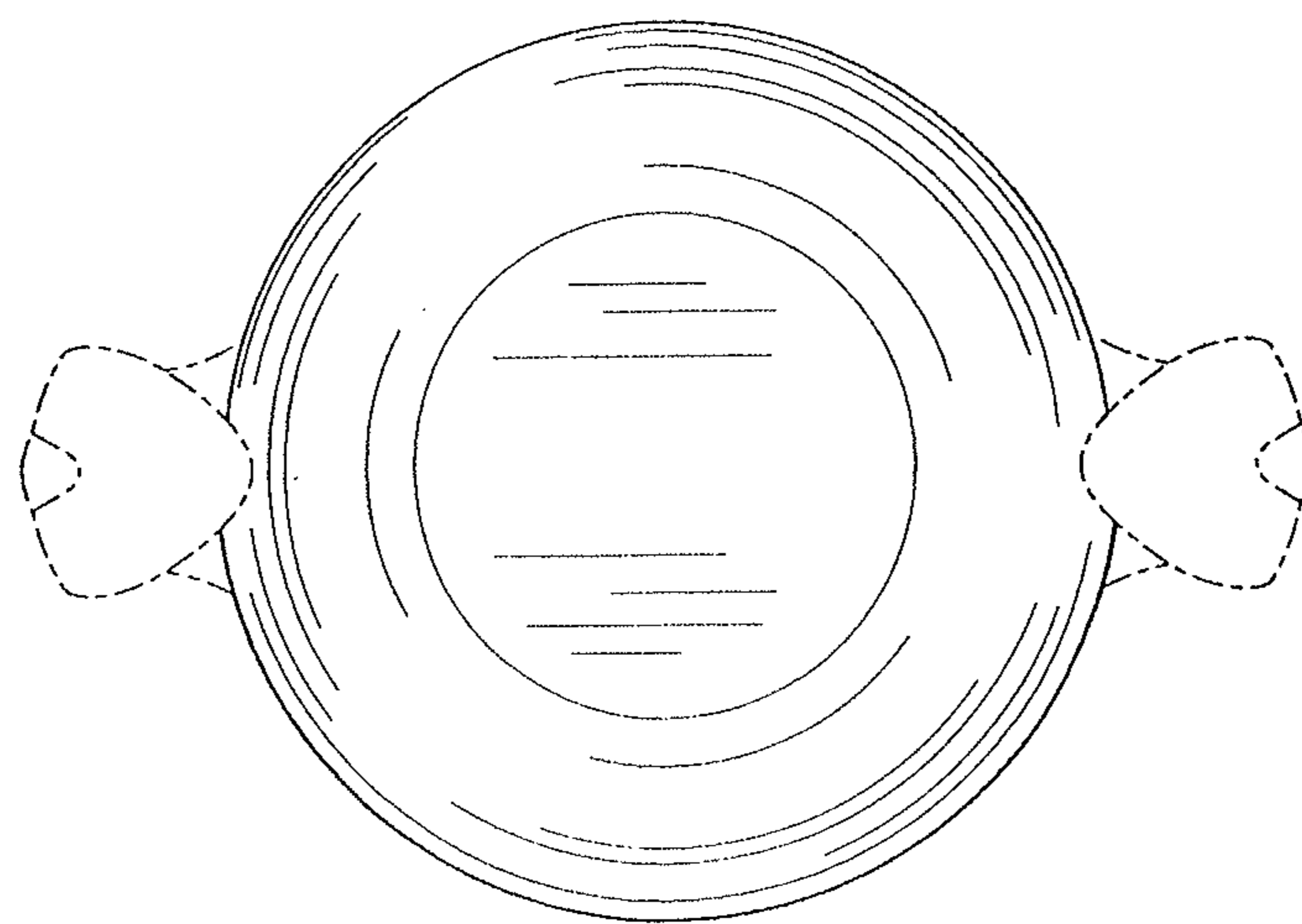


FIG. 16