



US00D740663S

(12) **United States Design Patent**
Zeboudj

(10) **Patent No.:** **US D740,663 S**
(45) **Date of Patent:** **** Oct. 13, 2015**

(54) **BOTTLE**

(71) Applicant: **SOCIETE DES PRODUITS NESTLE SA, Vevey (CH)**

(72) Inventor: **Lise Zeboudj, Lisieux (FR)**

(73) Assignee: **Societe Des Produits Nestle S.A., Vevey (CH)**

(**) Term: **14 Years**

(21) Appl. No.: **29/500,411**

(22) Filed: **Aug. 25, 2014**

(51) **LOC (10) Cl.** **09-01**

(52) **U.S. Cl.**
USPC **D9/502**

(58) **Field of Classification Search**
USPC D9/500, 502-503, 516, 530, 537-539,
D9/549, 557-558, 715, 719; D7/532;
D24/197

CPC B65D 1/00; B65D 1/02; B65D 1/0223;
B65D 23/00; B65D 81/00; B65D 83/00;
B65D 2501/00; B65D 2501/0009

See application file for complete search history.

(56) **References Cited**

U.S. PATENT DOCUMENTS

3,403,804 A	10/1968	Colombo	
D292,378 S	10/1987	Brandt	
D314,136 S	1/1991	Malvoisin	
D348,837 S	7/1994	Feen	
5,713,480 A	2/1998	Petre et al.	
D391,853 S *	3/1998	Green et al. D9/500
D411,750 S	6/1999	Forecast et al.	
D417,156 S	11/1999	Veyssiere	
6,006,952 A	12/1999	Lucas	
D423,940 S	5/2000	Chimetto	
6,065,624 A	5/2000	Steinke	

D428,339 S	7/2000	Johnston et al.	
D432,422 S	10/2000	Del Bianco	
D445,333 S	7/2001	Bretz et al.	
D457,055 S	5/2002	Ranchetti	
D464,569 S	10/2002	Moore et al.	
D467,505 S	12/2002	Iizuka et al.	
D472,471 S *	4/2003	McClure et al. D9/539
D473,143 S *	4/2003	McClure et al. D9/539

(Continued)

FOREIGN PATENT DOCUMENTS

CN	203228975 U	10/2013
EP	2221253 A1	8/2010

(Continued)

OTHER PUBLICATIONS

Soppo Pet Bottle, Design by OMC2, obtained from <http://www.omcdesign.com/index.php?m=6&s=1>, available as early as Feb. 13, 2012.

(Continued)

Primary Examiner — Dana L Meyrow

(74) *Attorney, Agent, or Firm* — Holland & Hart LLP

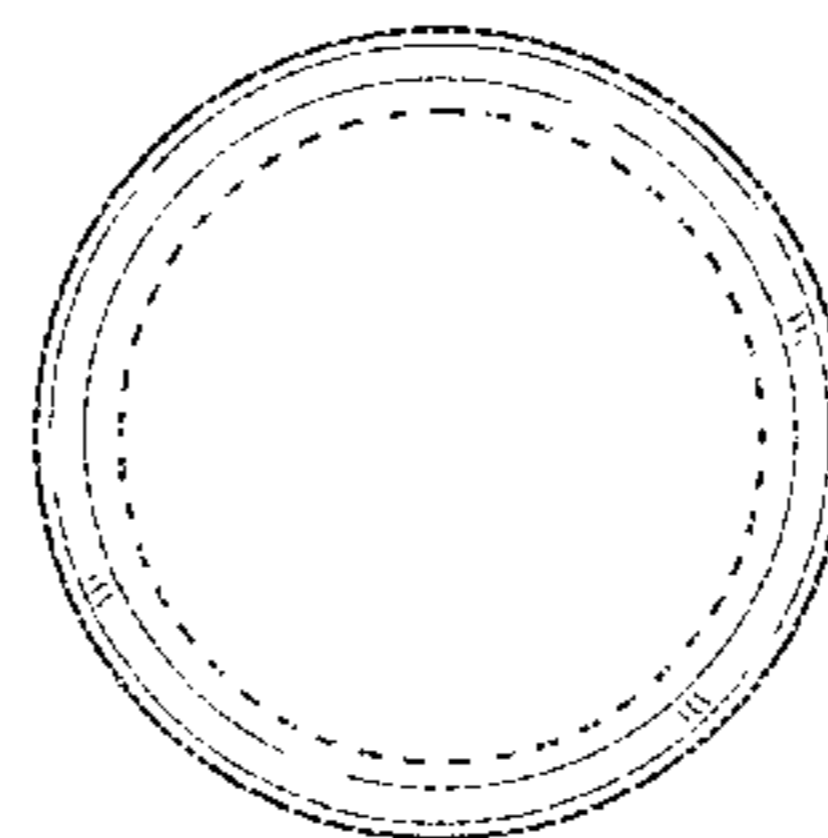
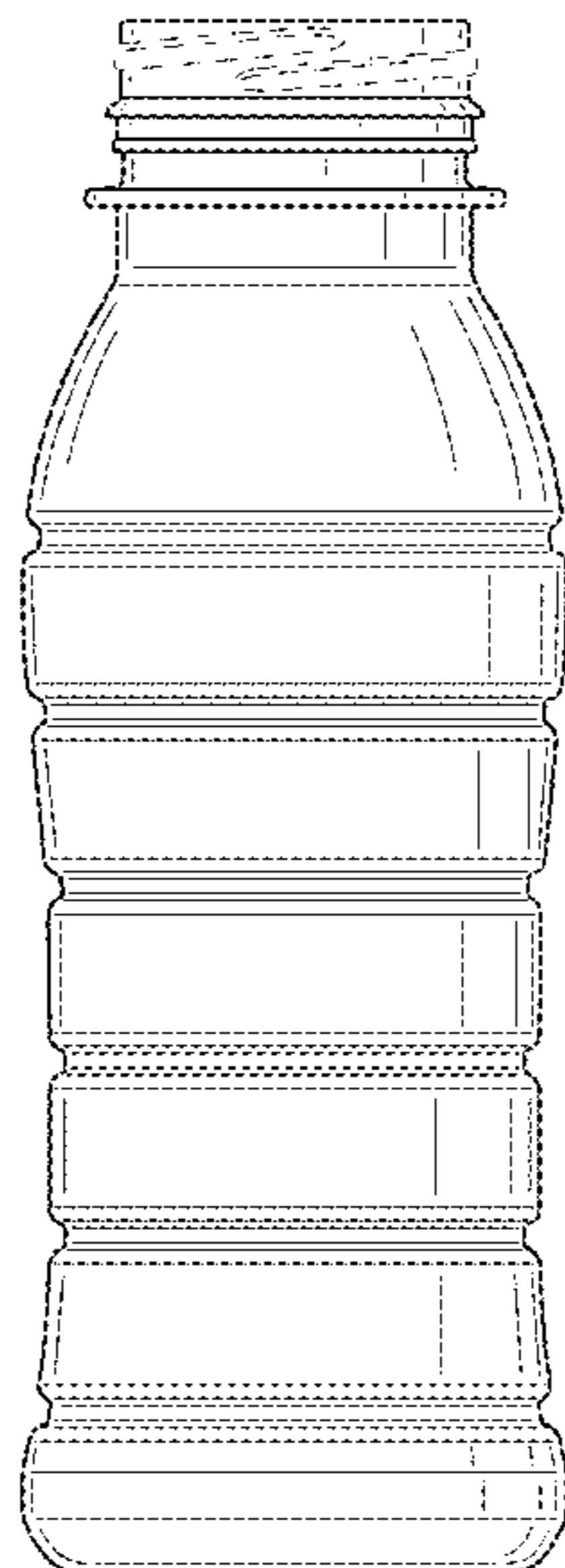
(57) **CLAIM**

The ornamental design for a bottle, as shown and described.

DESCRIPTION

FIG. 1 is a top perspective view of the bottle, showing my new design;
FIG. 2 is a front view of the design illustrated in FIG. 1, the rear, left side, and right side views being identical thereto;
FIG. 3 is a top view of the design illustrated in FIG. 1; and,
FIG. 4 is a bottom top view of the design illustrated in FIG. 1.
The broken lines in the drawings are for the purpose of illustrating unclaimed portions of the bottle and form no part of the claimed design.

1 Claim, 3 Drawing Sheets



(56)

References Cited

U.S. PATENT DOCUMENTS

D477,230 S 7/2003 Takaichi
 D481,318 S 10/2003 Iizuka et al.
 D499,337 S * 12/2004 Wadalawala et al. D9/500
 D560,506 S 1/2008 Lepoitevin
 7,350,658 B2 4/2008 Bourque et al.
 D582,774 S 12/2008 Klemm et al.
 D601,901 S 10/2009 Lepoitevin
 D608,203 S 1/2010 Yourist
 D609,105 S 2/2010 Tiefenback
 D610,011 S 2/2010 De Pieretti
 D611,816 S 3/2010 Bangi et al.
 D624,415 S * 9/2010 Chupak D9/500
 D630,513 S * 1/2011 Zoppas D9/500
 D635,862 S 4/2011 Mehdizadeh
 D641,244 S 7/2011 Bysick et al.
 D642,471 S * 8/2011 White et al. D9/502
 D642,922 S 8/2011 Kuzma et al.
 D645,351 S * 9/2011 McMillan et al. D9/502
 D653,951 S * 2/2012 Scott D9/502
 D657,683 S 4/2012 Oommen et al.
 D664,852 S * 8/2012 Weber-Trinkfass et al. ... D9/503
 D682,700 S * 5/2013 White et al. D9/538
 8,496,130 B2 7/2013 Lane et al.
 D689,375 S * 9/2013 Garner D9/745
 8,529,975 B2 9/2013 Trude et al.
 D705,065 S * 5/2014 Egret D9/502

2008/0308442 A1* 12/2008 Spigelman et al. 206/459.1
 2012/0012592 A1 1/2012 Lisch et al.
 2012/0265245 A1* 10/2012 Yamashita et al. 606/236
 2013/0220968 A1 8/2013 Imai et al.
 2013/0270214 A1 10/2013 Huels et al.

FOREIGN PATENT DOCUMENTS

EP 2316740 A1 5/2011
 WO 2005120991 A1 12/2005

OTHER PUBLICATIONS

Packaging Buzz, New ribs design produces lightweight bottles, obtained from <http://www.packagingbuzz.com/labeling-design/2013/09/new-ribs-design-produces-lightweight-bottles/>, Sep. 10, 2013.
 Siemens PLM Software, Nestle Waters M.T. Designs its Bottles using NX, Producing Over 500 CAD Models and Manufacturing Approximately 110 Molds Every Year, Catia Community, available from http://www.catiacommunity.com/print_article.php?cpfeaturedid=72371, Dec. 18, 2012.
 Pennco Container, PET Drink/Energyg Bottles, available from http://www.penncocontainer.com/prod_PET_DRINK.html, obtained on Apr. 4, 2014.
 English Abstract and English machine translation the specification and claims of CN203228975. Oct. 9, 2013.

* cited by examiner

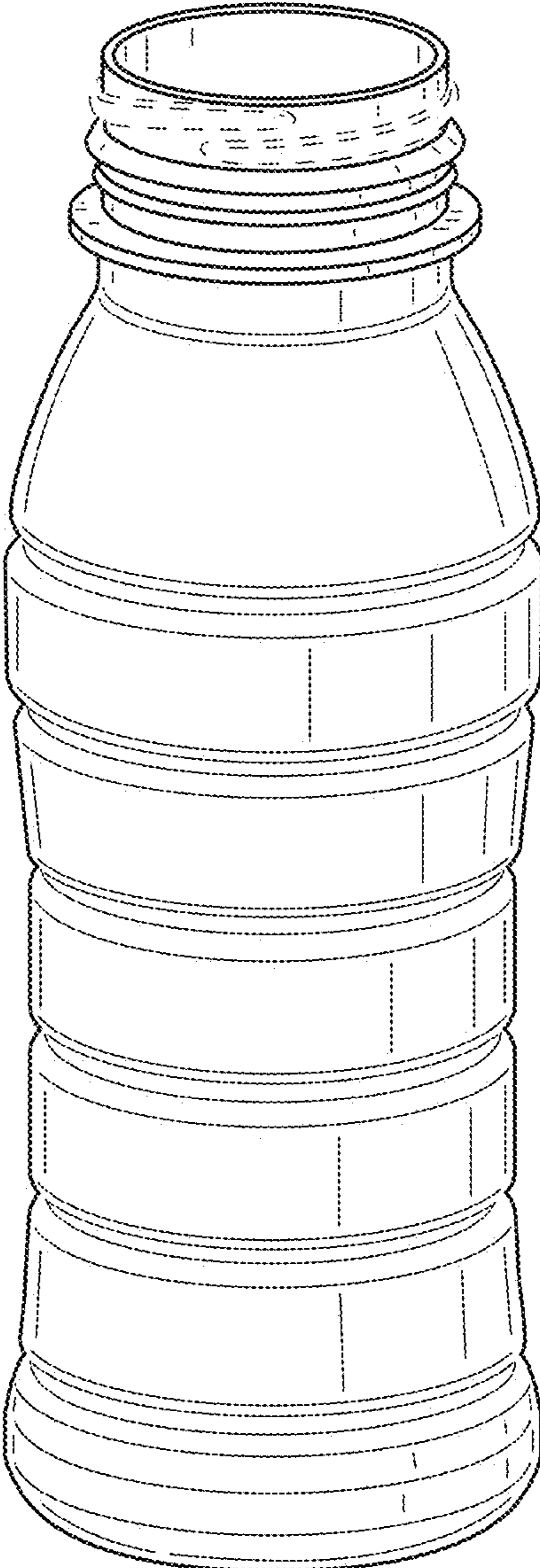


FIG.1

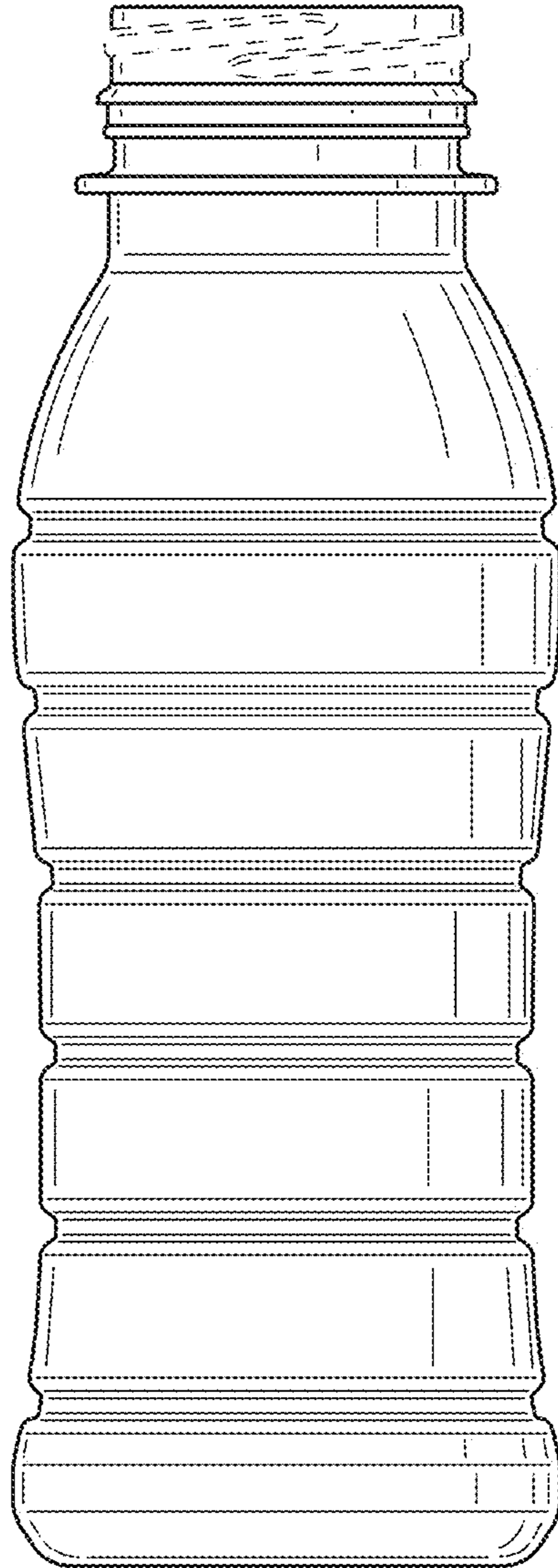


FIG.2

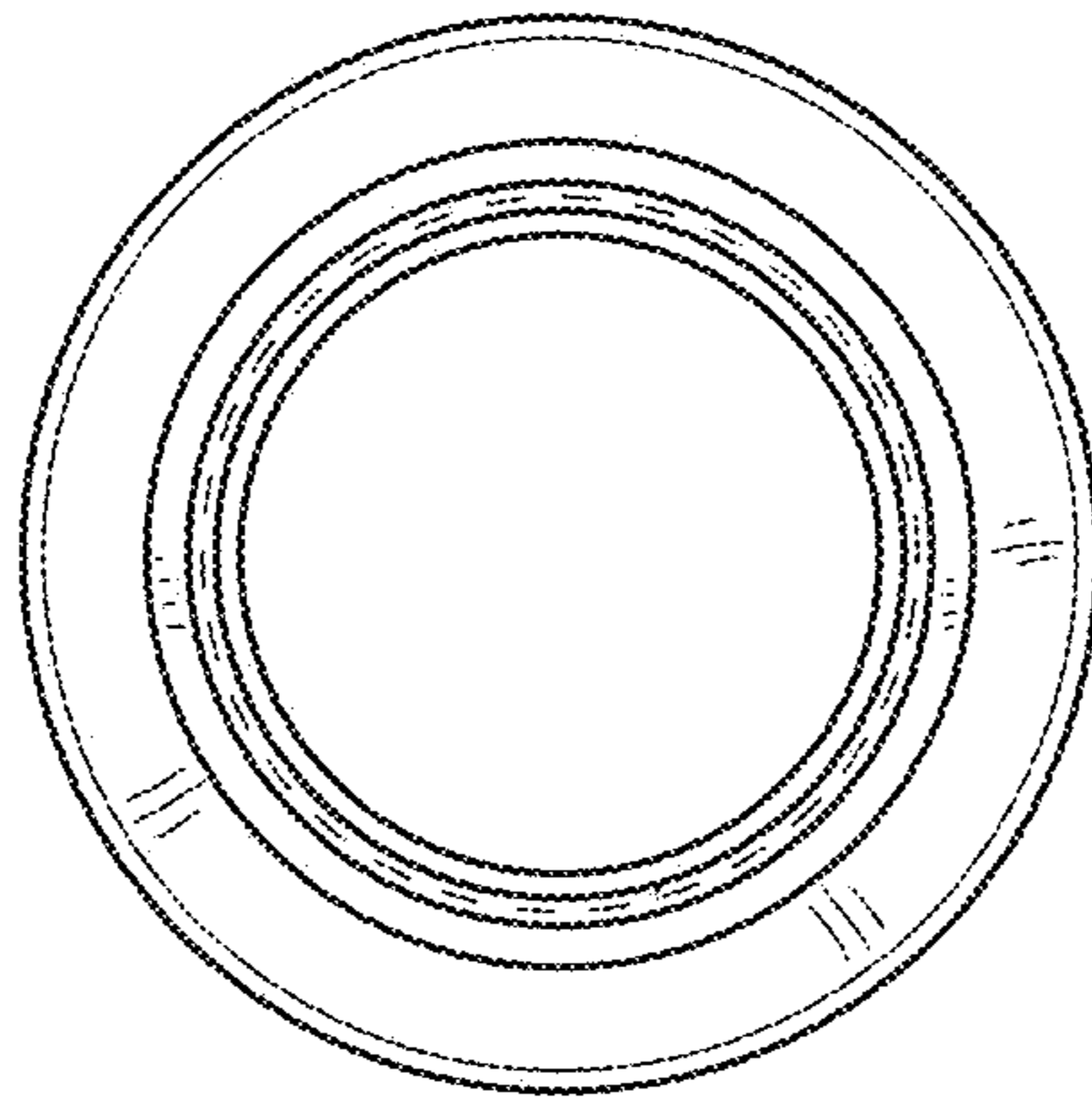


FIG.3

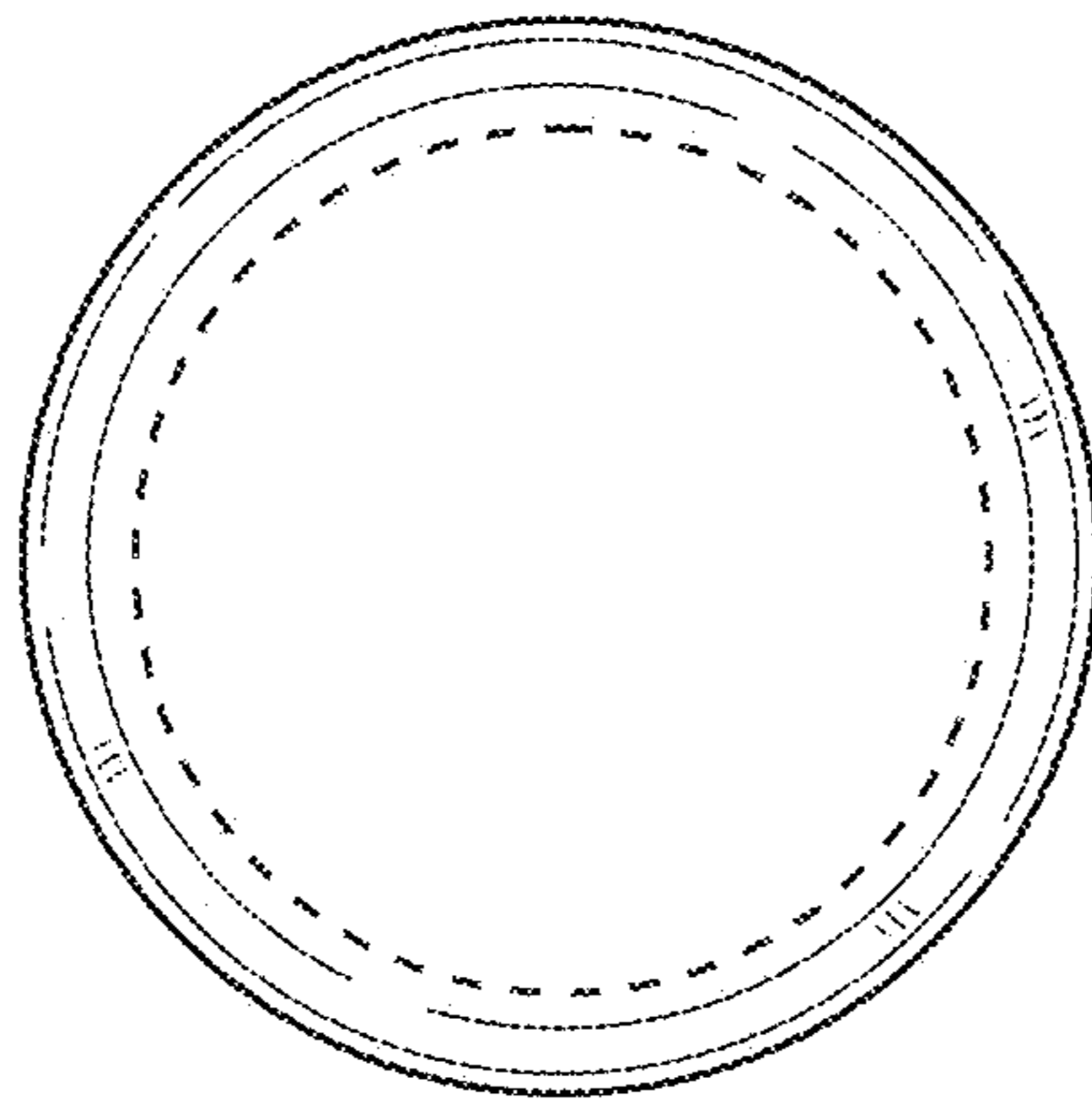


FIG.4