



US00D740661S

(12) **United States Design Patent**
Vogel et al.

(10) **Patent No.:** **US D740,661 S**
(45) **Date of Patent:** **** Oct. 13, 2015**

(54) **CLOSURE WITH INTEGRATED DOSAGE CUP**

(71) Applicant: **Gateway Plastics, Inc.**, Mequon, WI (US)

(72) Inventors: **William C. Vogel**, Mequon, WI (US);
Terrence M. Parve, Menomonee Falls, WI (US); **Michael Walker**, Kalamazoo, MI (US)

(73) Assignee: **GATEWAY PLASTICS, INC.**, Mequon, WI (US)

(**) Term: **14 Years**

(21) Appl. No.: **29/490,575**

(22) Filed: **May 12, 2014**

Related U.S. Application Data

(62) Division of application No. 29/411,478, filed on Jan. 20, 2012, now Pat. No. Des. 707,555.

(51) **LOC (10) Cl.** **09-07**

(52) **U.S. Cl.**
USPC **D9/436**

(58) **Field of Classification Search**
USPC D9/435, 436, 439, 443, 445, 447, 451, D9/452, 453, 454, 629, 705, 708, 709, D9/716; D10/46.2; D24/114, 194, 197, D24/224; 215/228, 230; 220/212, 266, 288, 220/377

See application file for complete search history.

(56) **References Cited**

U.S. PATENT DOCUMENTS

202,268 A 4/1878 Keller
1,780,875 A 11/1930 Gordon
1,869,712 A 8/1932 Palmer
2,108,692 A 2/1938 Pieck

D162,893 S 4/1951 Soffer
2,762,526 A 9/1956 Gilmour
3,028,992 A * 4/1962 Bucher et al. 220/270
D223,812 S 6/1972 Long
4,135,404 A 1/1979 Butler, Jr.
4,270,664 A 6/1981 Buono
4,318,500 A 3/1982 Melikian
D278,311 S * 4/1985 Brown et al. D9/436
4,550,862 A 11/1985 Barker et al.
4,566,508 A 1/1986 Bowyer
4,566,509 A 1/1986 Szajna
4,660,746 A 4/1987 Wright
4,802,597 A 2/1989 Dubach

(Continued)

Primary Examiner — Susan Bennett Hattan

Assistant Examiner — Leanne Was

(74) *Attorney, Agent, or Firm* — Foley & Lardner LLP

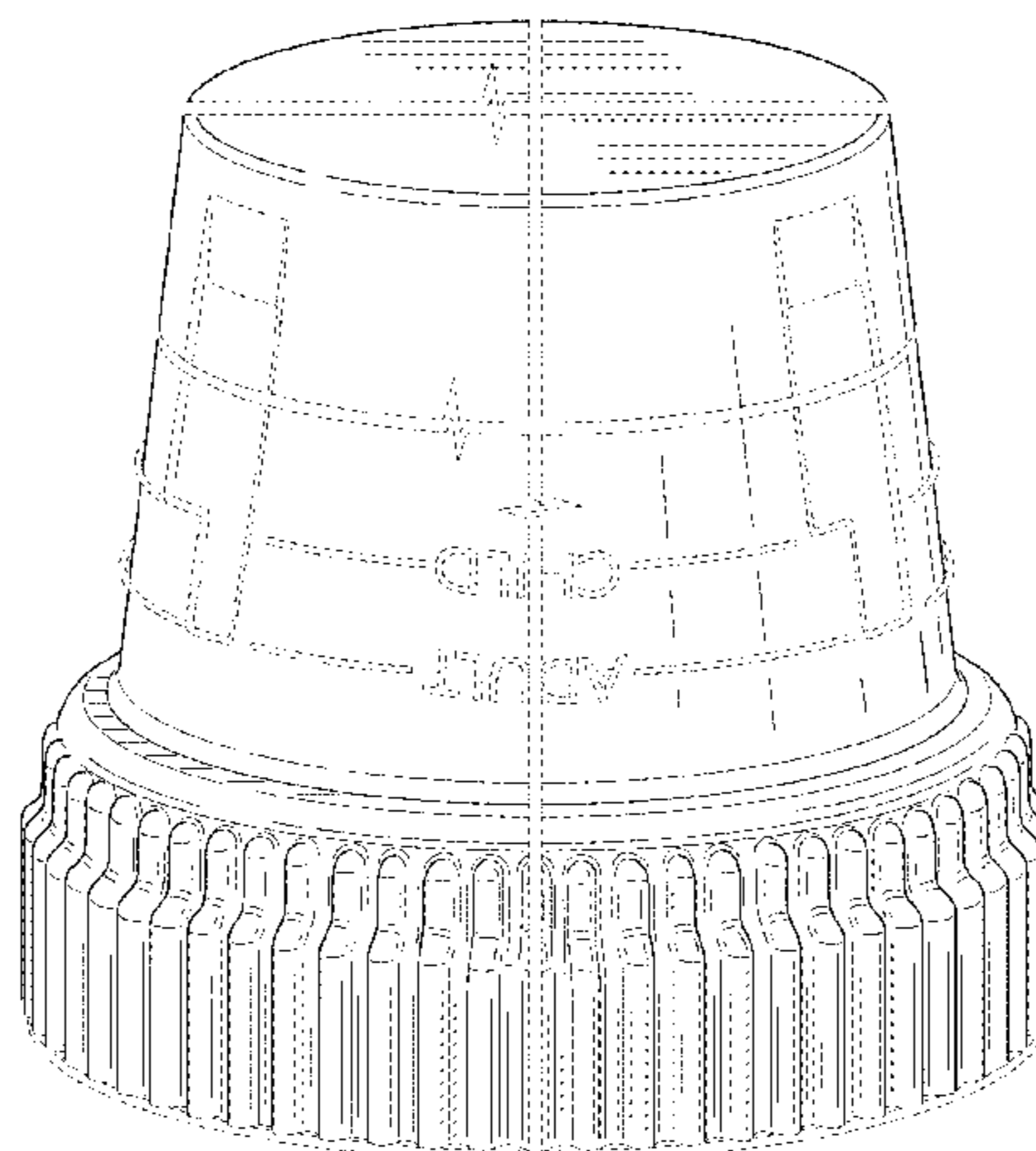
(57) **CLAIM**

We claim the ornamental design for a closure with integrated dosage cup, as shown and described.

DESCRIPTION

FIG. 1 is a top perspective view of the claimed design;
FIG. 2 is a first elevation view of the claimed design of FIG. 1;
FIG. 3 is a second elevation view of the claimed design of FIG. 1;
FIG. 4 is a top plan view of the claimed design of FIG. 1;
FIG. 5 is a bottom plan view of the claimed design of FIG. 1; and,
FIG. 6 is a cross sectional view of the claimed design of FIG. 1 taken along a line 6-6 in FIG. 4.
The ornamental design which is claimed is shown in solid lines in the drawings. The broken lines in the drawings depict portions of the closure with integrated dosage cup that form no part of the claimed design.
The areas between the representative break lines form no part of the claimed design.

1 Claim, 6 Drawing Sheets



(56)

References Cited

U.S. PATENT DOCUMENTS

| | | | | | |
|-------------------|---------|--|---------|--|--|
| 4,844,302 A | 7/1989 | Lay | | | |
| D304,301 S * | 10/1989 | Moss et al. | D9/436 | | |
| 4,890,770 A | 1/1990 | Haga et al. | | | |
| 5,078,289 A | 1/1992 | Bolton et al. | | | |
| 5,115,929 A | 5/1992 | Buono | | | |
| 5,181,630 A | 1/1993 | McNally | | | |
| 5,197,616 A | 3/1993 | Buono | | | |
| 5,228,596 A | 7/1993 | McNally | | | |
| 5,261,569 A | 11/1993 | Sandwell | | | |
| 5,370,251 A | 12/1994 | Buono | | | |
| 5,464,110 A | 11/1995 | Heyworth | | | |
| 5,513,780 A | 5/1996 | Buono | | | |
| 5,531,349 A | 7/1996 | Wojcik et al. | | | |
| 5,549,224 A | 8/1996 | Wu et al. | | | |
| 5,579,934 A | 12/1996 | Buono | | | |
| 5,667,106 A | 9/1997 | Robbins, III | | | |
| 5,794,803 A | 8/1998 | Sprick | | | |
| 5,865,330 A | 2/1999 | Buono | | | |
| 5,873,493 A | 2/1999 | Robinson | | | |
| 5,881,894 A | 3/1999 | Gargano | | | |
| D417,397 S | 12/1999 | Forecast et al. | | | |
| D419,071 S | 1/2000 | Peters et al. | | | |
| D421,222 S | 2/2000 | Boyer et al. | | | |
| D421,223 S | 2/2000 | Briere et al. | | | |
| D421,389 S | 3/2000 | Briere et al. | | | |
| D421,909 S | 3/2000 | Opresco | | | |
| 6,036,036 A | 3/2000 | Bilani et al. | | | |
| D426,159 S | 6/2000 | Briere et al. | | | |
| 6,223,946 B1 | 5/2001 | Geisinger et al. | | | |
| D446,118 S | 8/2001 | Michael et al. | | | |
| 6,273,152 B1 | 8/2001 | Buehler et al. | | | |
| 6,276,572 B1 | 8/2001 | Evans | | | |
| 6,343,723 B1 | 2/2002 | Hickerson | | | |
| 6,371,316 B1 | 4/2002 | Herr et al. | | | |
| D465,731 S | 11/2002 | Brant et al. | | | |
| D470,051 S | 2/2003 | Bloom et al. | | | |
| 6,543,649 B1 | 4/2003 | Danielo et al. | | | |
| D476,563 S | 7/2003 | Brozell et al. | | | |
| 6,601,740 B1 | 8/2003 | Clive | | | |
| 6,612,450 B1 | 9/2003 | Buono | | | |
| 6,648,188 B2 | 11/2003 | Brecheisen et al. | | | |
| 6,705,495 B2 | 3/2004 | Brecheisen et al. | | | |
| D494,468 S | 8/2004 | Vovan | | | |
| 6,904,867 B2 | 6/2005 | Zamjahn | | | |
| 7,032,632 B2 | 4/2006 | Shingle | | | |
| 7,097,071 B2 | 8/2006 | Anderson et al. | | | |
| 7,147,020 B2 | 12/2006 | Bronner | | | |
| 7,168,461 B2 | 1/2007 | DeJonge | | | |
| 7,213,620 B2 | 5/2007 | DeJonge | | | |
| D548,075 S | 8/2007 | Mavin et al. | | | |
| D548,081 S * | 8/2007 | Noonan | D9/453 | | |
| 7,296,700 B2 | 11/2007 | Steele et al. | | | |
| D574,239 S | 8/2008 | Lin | | | |
| D610,456 S | 2/2010 | Rognard | | | |
| D612,731 S | 3/2010 | Bragg | | | |
| D619,004 S | 7/2010 | Fallat et al. | | | |
| D621,522 S | 8/2010 | Wilkinson | | | |
| D631,350 S | 1/2011 | Beach et al. | | | |
| D631,351 S | 1/2011 | Coon | | | |
| 7,988,004 B1 * | 8/2011 | Marret et al. | 215/252 | | |
| D647,627 S | 10/2011 | Wilkinson | | | |
| D707,555 S * | 6/2014 | Vogel et al. | D9/436 | | |
| D714,147 S * | 9/2014 | Lindstrom, Sr. | D9/453 | | |
| 2004/0118881 A1 | 6/2004 | Brecheisen et al. | | | |
| 2008/0017665 A1 | 1/2008 | Brecheisen et al. | | | |
| 2008/0142547 A1 | 6/2008 | Colacioppo et al. | | | |
| 2009/0159544 A1 | 6/2009 | Tune | | | |
| 2011/0248048 A1 | 10/2011 | Fernandez De Mendiola Quintana et al. | | | |
| 2013/0193143 A1 * | 8/2013 | Vogel et al. | 220/212 | | |

* cited by examiner

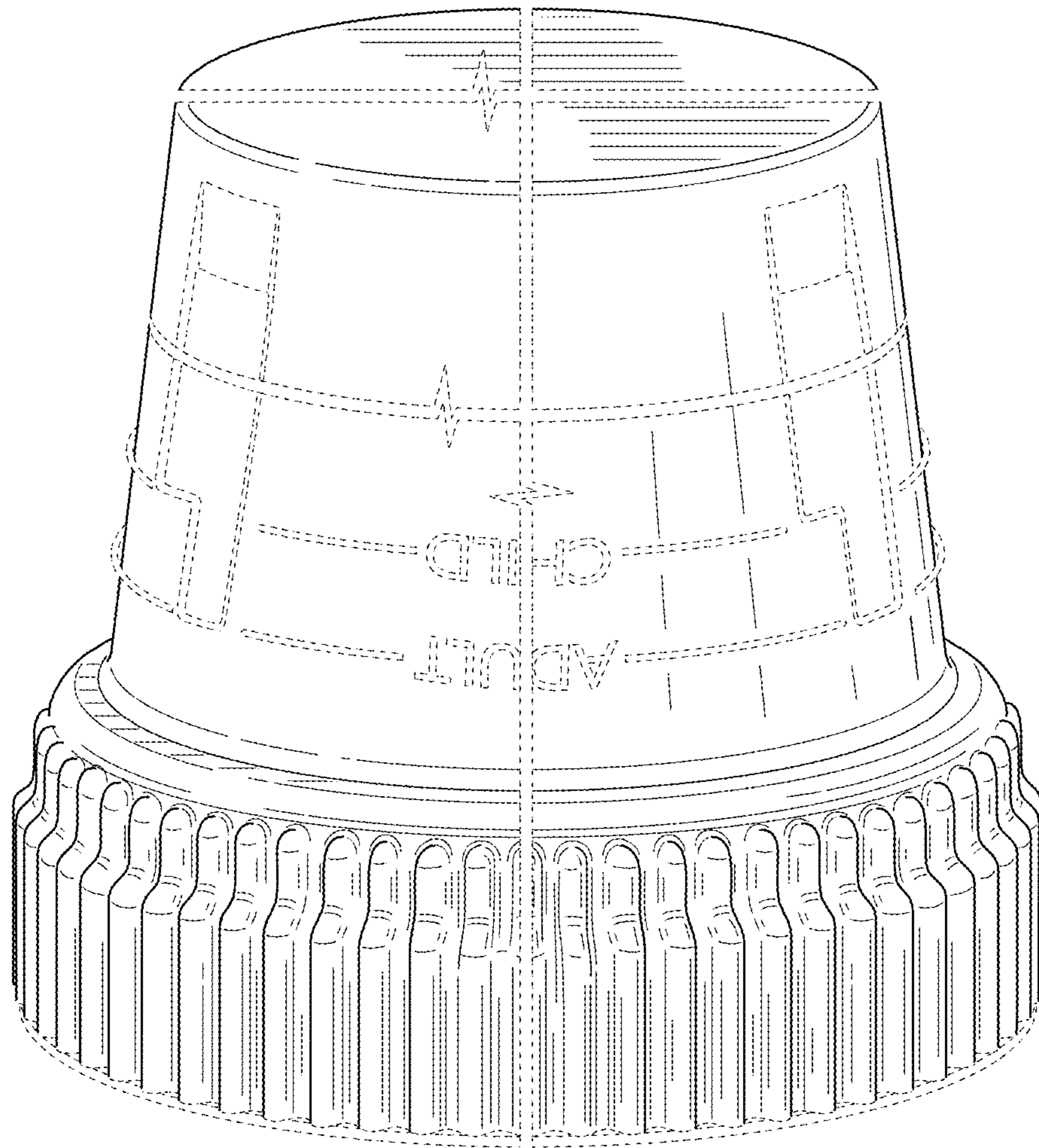


FIG. 1

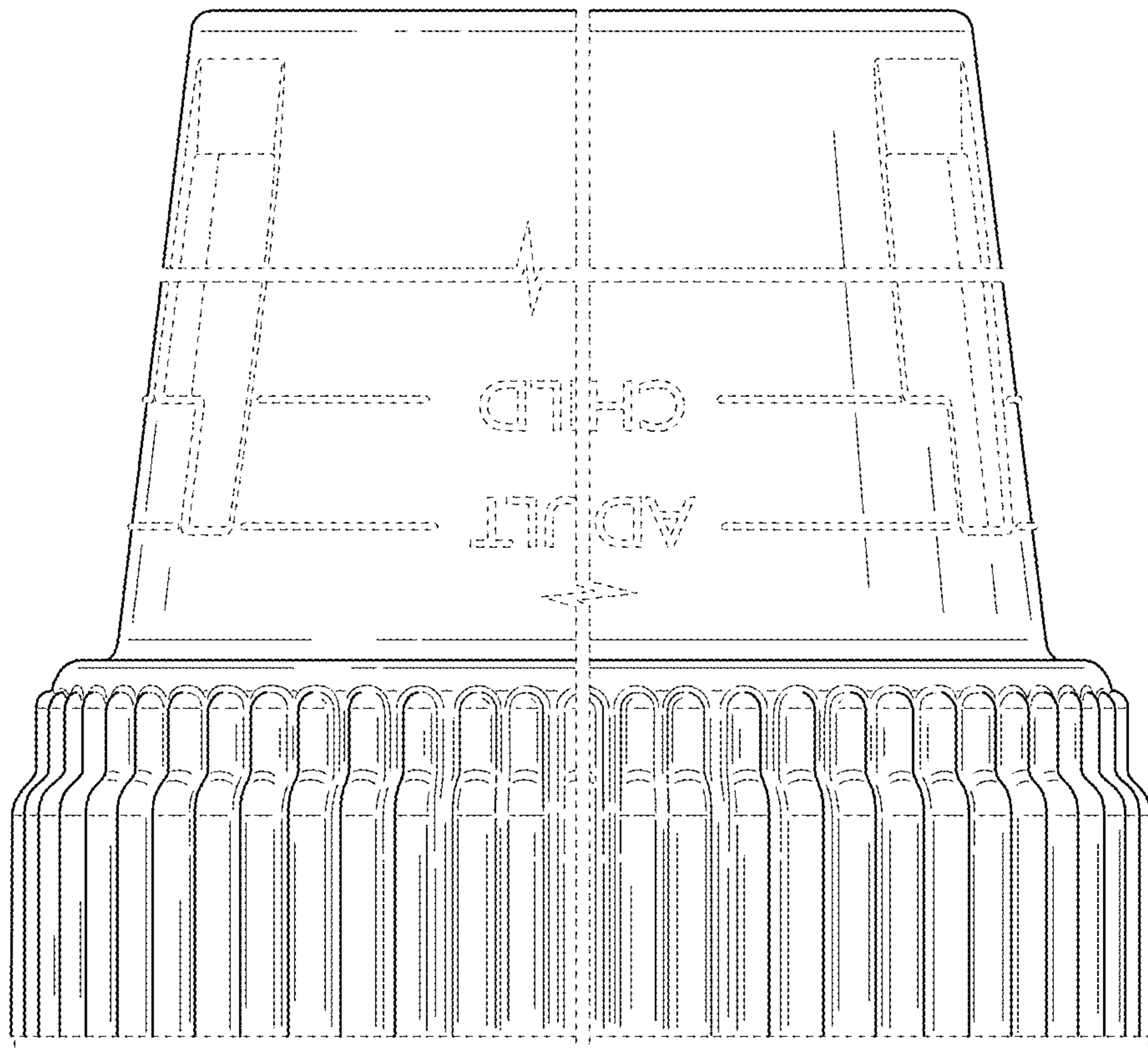


FIG. 2

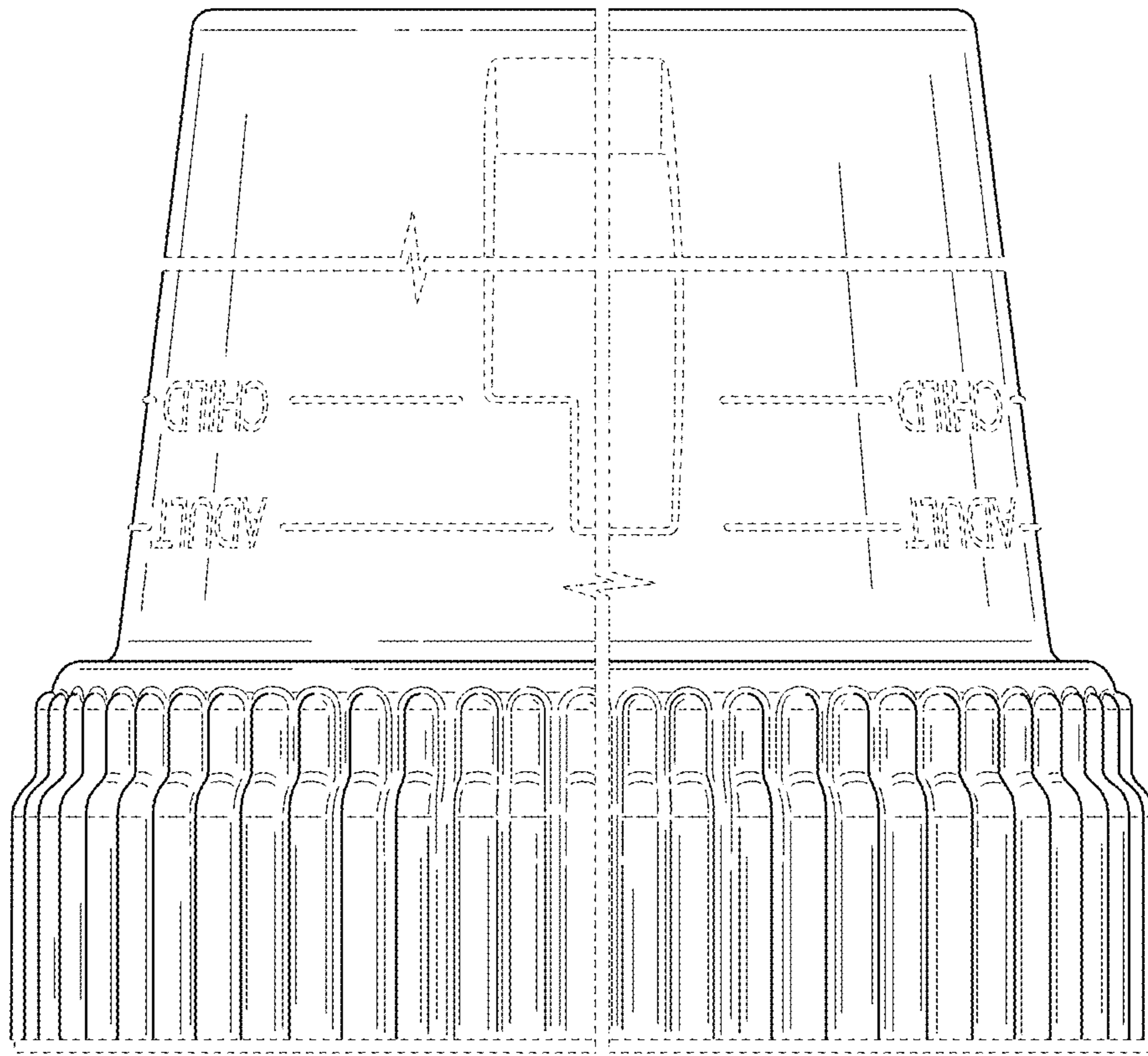


FIG. 3

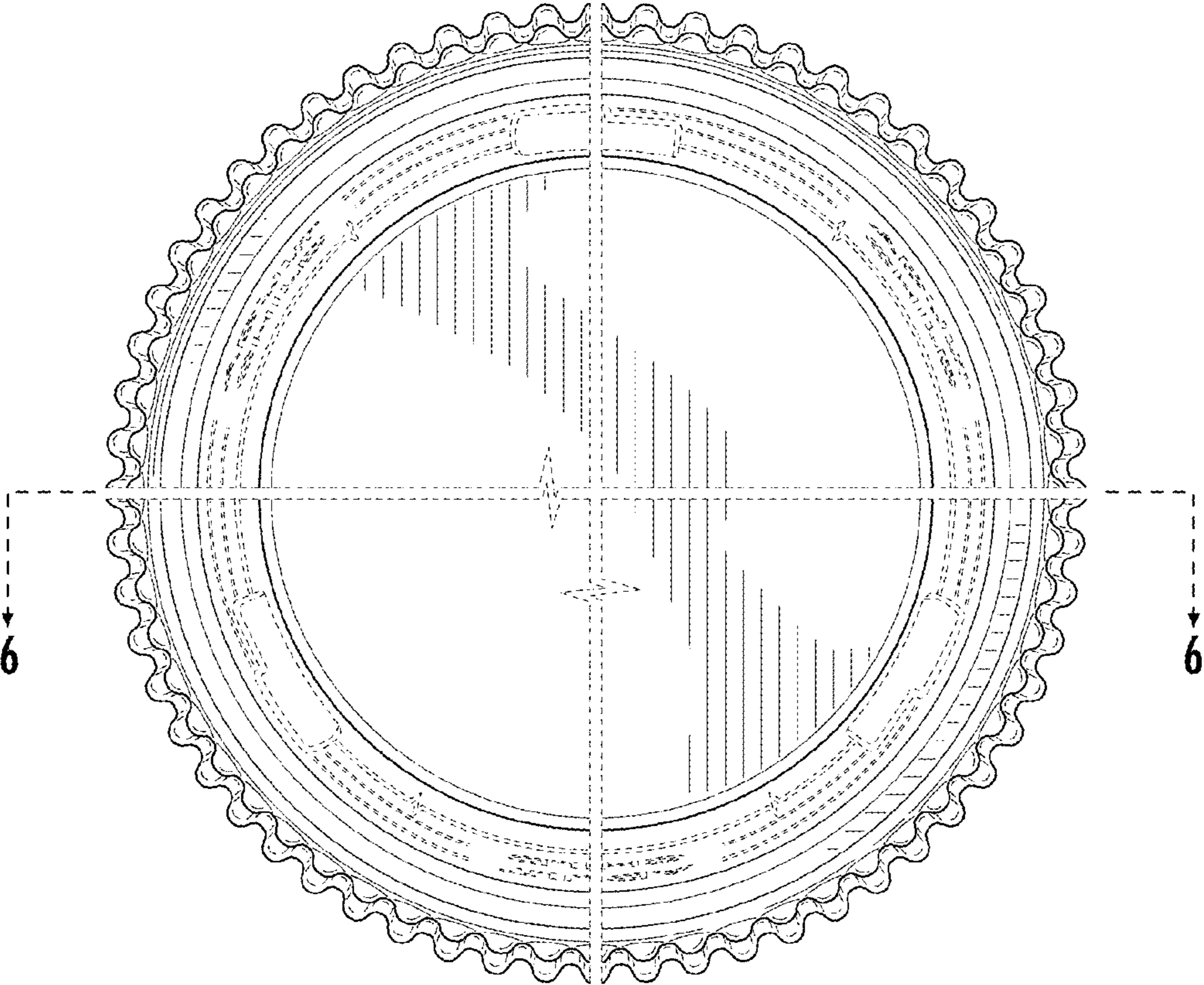


FIG. 4

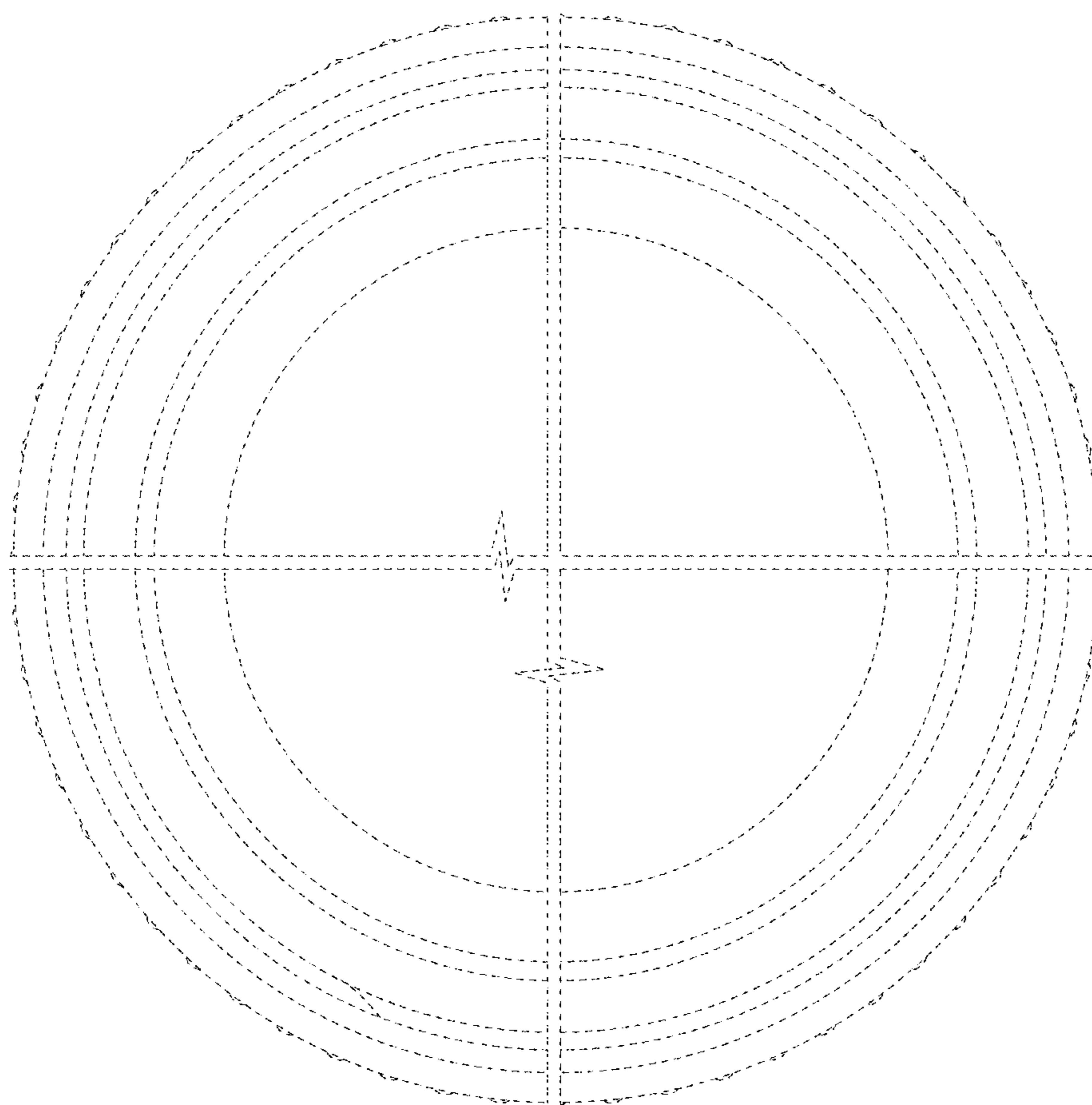


FIG. 5

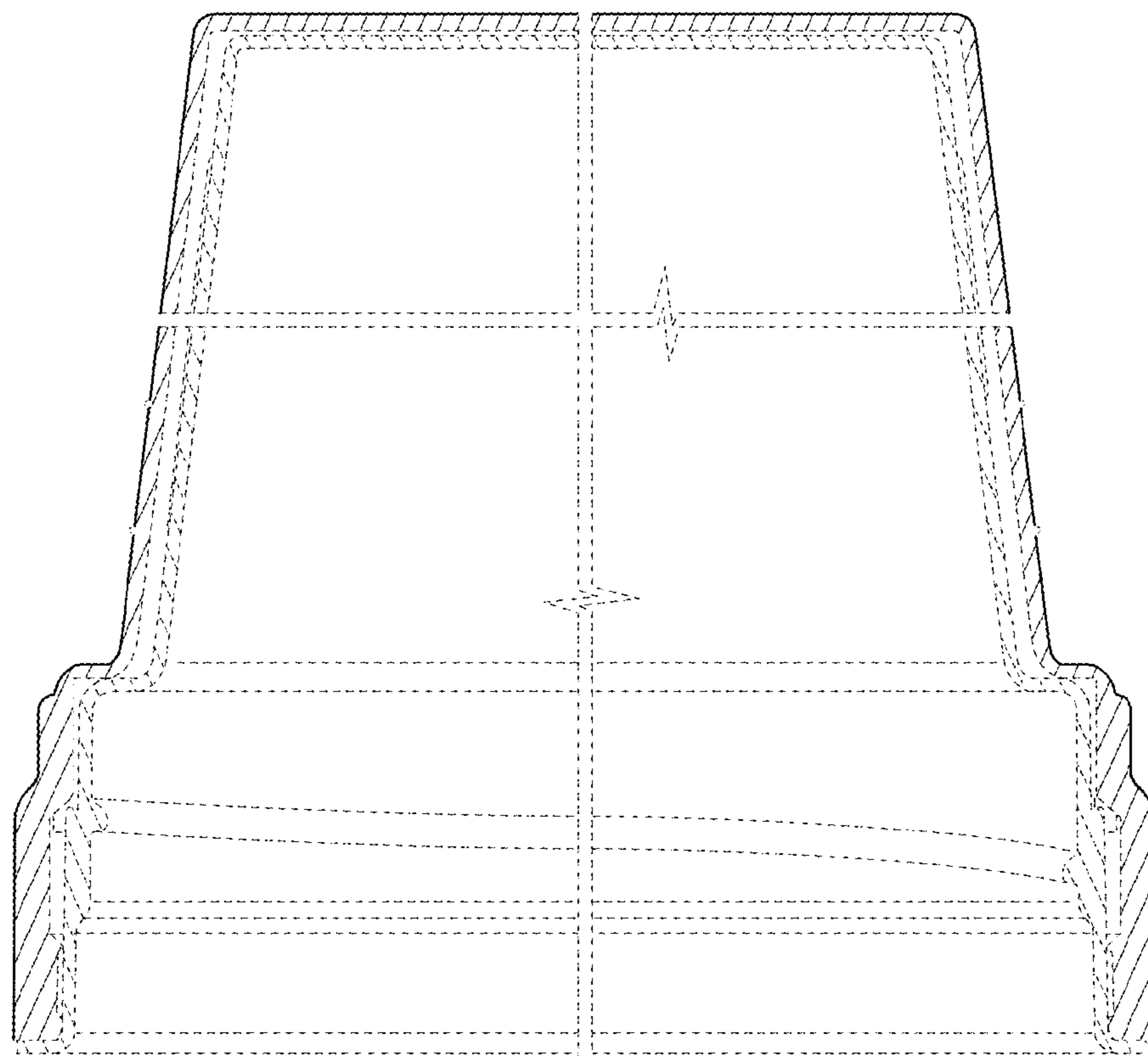


FIG. 6