



US00D740660S

(12) **United States Design Patent**
Hughes et al.

(10) **Patent No.:** **US D740,660 S**

(45) **Date of Patent:** **** Oct. 13, 2015**

(54) **CAP FOR COSMETIC AND FRAGRANCE BOTTLES**

(71) Applicant: **MARY KAY INC.**, Dallas, TX (US)

(72) Inventors: **Magdalena Hughes**, Frisco, TX (US);
Ana Maria Urrea, Naucalpan (MX)

(73) Assignee: **Mary Kay Inc.**, Addison, TX (US)

(**) Term: **14 Years**

(21) Appl. No.: **29/496,349**

(22) Filed: **Jul. 11, 2014**

Related U.S. Application Data

(62) Division of application No. 29/453,065, filed on Apr. 24, 2013, now Pat. No. Des. 712,253.

(51) **LOC (10) Cl.** **09-07**

(52) **U.S. Cl.**
USPC **D9/435**

(58) **Field of Classification Search**

USPC D7/598; D8/300, 305, 310; D9/434,
D9/435, 439, 441, 451, 452, 454, 503, 516,
D9/541, 542, 544, 545, 559, 560, 567, 573,
D9/574, 575, 651; D11/89-91; D28/91.1;
206/457; 215/200, 272, 283, 296, 316,
215/318-320, 355; 220/200, 345.1, 351

See application file for complete search history.

(56) **References Cited**

U.S. PATENT DOCUMENTS

D55,988 S * 8/1920 Dunnoor D9/544
D106,370 S 10/1937 Pancoast D9/563
D148,899 S 3/1948 Yaeger D28/91.1
D207,802 S 5/1967 Pree D7/300
D294,116 S 2/1988 De Mourgues D9/544

D308,940 S 7/1990 Dinand D9/544
D309,567 S 7/1990 Desgrippes D9/520
D333,269 S * 2/1993 Albright et al. D9/544
D333,425 S * 2/1993 Boussiquet D9/562
D365,991 S 1/1996 Varlet D9/544
D372,676 S 8/1996 Desgrippes D9/550
D381,275 S 7/1997 Lecoule D9/572
D401,158 S 11/1998 Bakic D9/574

(Continued)

FOREIGN PATENT DOCUMENTS

CN 301551753 * 5/2011
EP 001936774-0001 * 4/2012

Primary Examiner — Susan Bennett Hattan

Assistant Examiner — Leanne Was

(74) *Attorney, Agent, or Firm* — Norton Rose Fulbright US LLP

(57) **CLAIM**

The ornamental designs for a cap for cosmetic and fragrance bottles, as shown and described.

DESCRIPTION

FIG. 1 is a top perspective view of our design for a cap for cosmetic and fragrance bottles;

FIG. 2 is a front view of the cap represented in FIG. 1;

FIG. 3 is a back view of the cap represented in FIG. 1;

FIG. 4 is a right side view of the cap represented in FIG. 1;

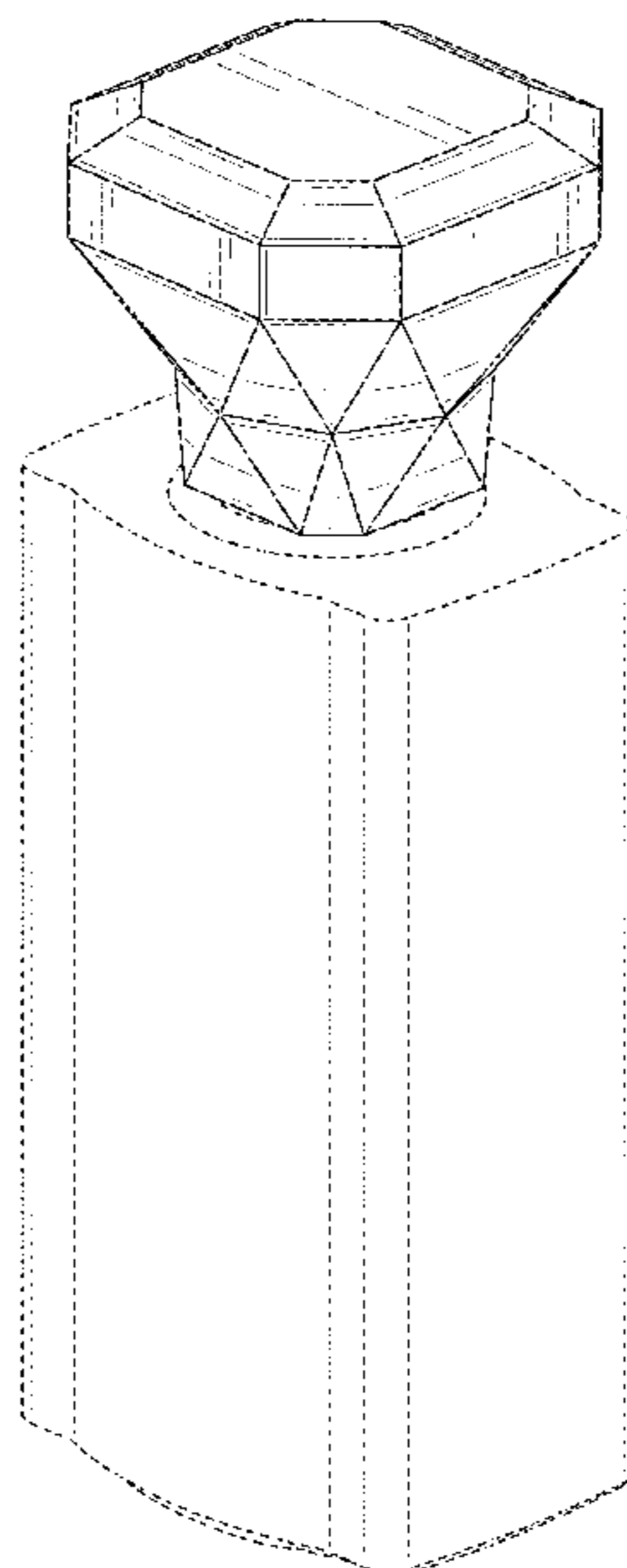
FIG. 5 is a left side view of the cap represented in FIG. 1;

FIG. 6 is a top view of the cap represented in FIG. 1; and,

FIG. 7 is a bottom view of the cap represented in FIG. 1.

The dashed lines in FIGS. 1-7 represent environmental structure and form no part of the claimed cap. All other surface(s) or portion(s) of the cap in FIGS. 1-7 not shown in figures or otherwise described in the specification form no part of the claimed cap.

1 Claim, 6 Drawing Sheets



(56)

References Cited

U.S. PATENT DOCUMENTS

D419,888 S	2/2000	Ackerman	D9/546	D603,717 S	11/2009	Rica	D9/560
D420,596 S *	2/2000	Maddy	D9/560	D604,175 S	11/2009	Rica	D9/560
D422,509 S	4/2000	Luzzi et al.	D9/575	D605,948 S	12/2009	Sposato	D9/546
D459,660 S	7/2002	Burger	D9/560	D610,916 S *	3/2010	Yeung et al.	D9/694
D466,410 S	12/2002	De Baschmakoff	D9/516	D611,350 S	3/2010	Esparza et al.	D9/522
D473,467 S	4/2003	Lecoule	D9/516	D620,804 S *	8/2010	Bogert et al.	D9/544
D480,299 S	10/2003	Sgariboldi	D9/694	D626,422 S *	11/2010	Lloyd	D9/566
D485,165 S	1/2004	Sgariboldi	D9/694	D626,842 S	11/2010	Rica	D9/516
D499,028 S	11/2004	Faillant-Dumas	D9/544	D628,494 S	12/2010	Aebi	D9/687
D511,688 S	11/2005	Baron	D9/560	D632,185 S	2/2011	Glass et al.	D9/667
D522,872 S	6/2006	Lascaux	D9/544	D632,969 S *	2/2011	Monteparo et al.	D9/544
D527,646 S	9/2006	Cornet et al.	D9/560	D633,806 S *	3/2011	Lecoule	D9/559
D530,211 S *	10/2006	Lloyd	D9/542	D637,491 S *	5/2011	Bogert	D9/452
D531,911 S *	11/2006	Lloyd	D9/546	D639,667 S *	6/2011	Bogert et al.	D9/544
D532,699 S	11/2006	Mouquet	D9/694	D655,612 S	3/2012	Oge-Nichols	D9/599
D542,144 S	5/2007	Herrmann	D9/560	D659,548 S *	5/2012	de France	D9/694
D562,143 S	2/2008	Didier	D9/544	1,365,954 A1	5/2012	De France	D9/694
D567,664 S	4/2008	Rica	D9/560	D670,176 S	11/2012	Monteparo et al.	D9/600
D574,257 S *	8/2008	Zeidan	D9/694	D678,073 S *	3/2013	Oge-Nichols et al.	D9/542
D580,769 S	11/2008	Lloyd et al.	D9/529	D697,811 S *	1/2014	Goodman et al.	D9/545
D600,565 S	9/2009	Kuzma et al.	D9/574	D712,253 S *	9/2014	Hughes et al.	D9/435
					D713,246 S *	9/2014	Dove	D9/441
					D714,653 S *	10/2014	Tussy	D9/651

* cited by examiner

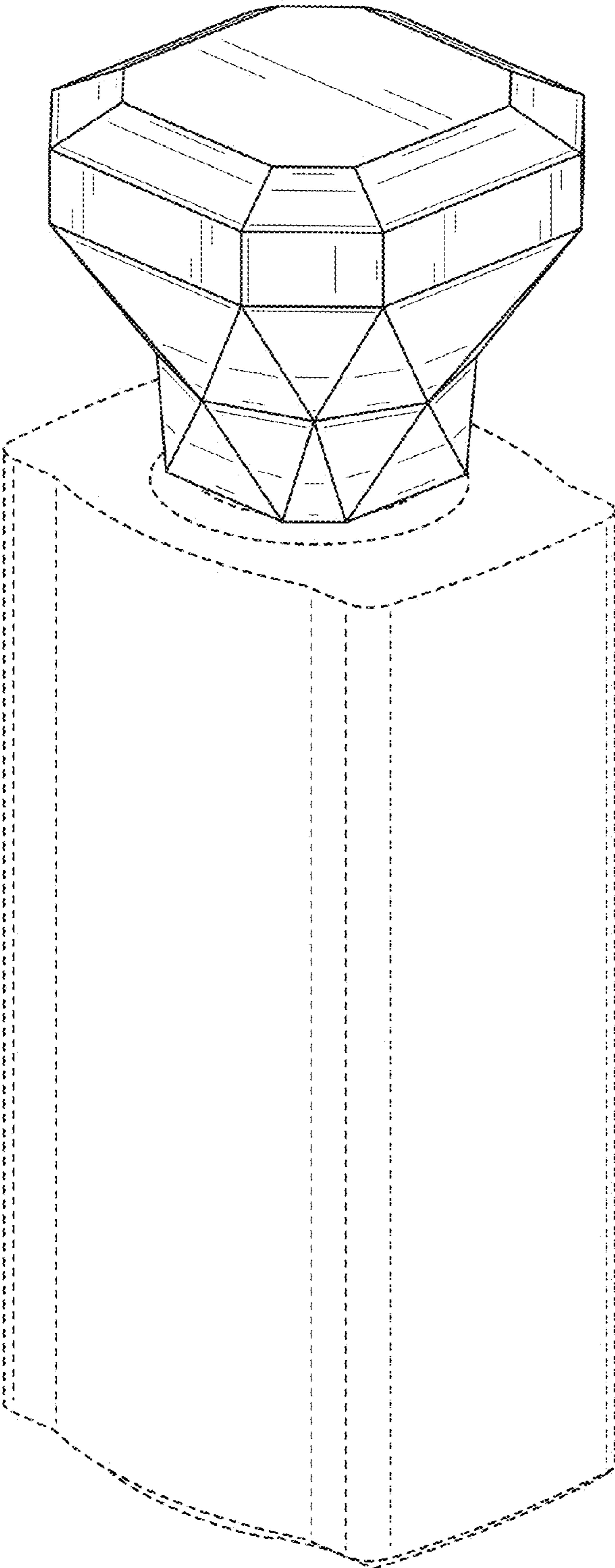


FIG. 1

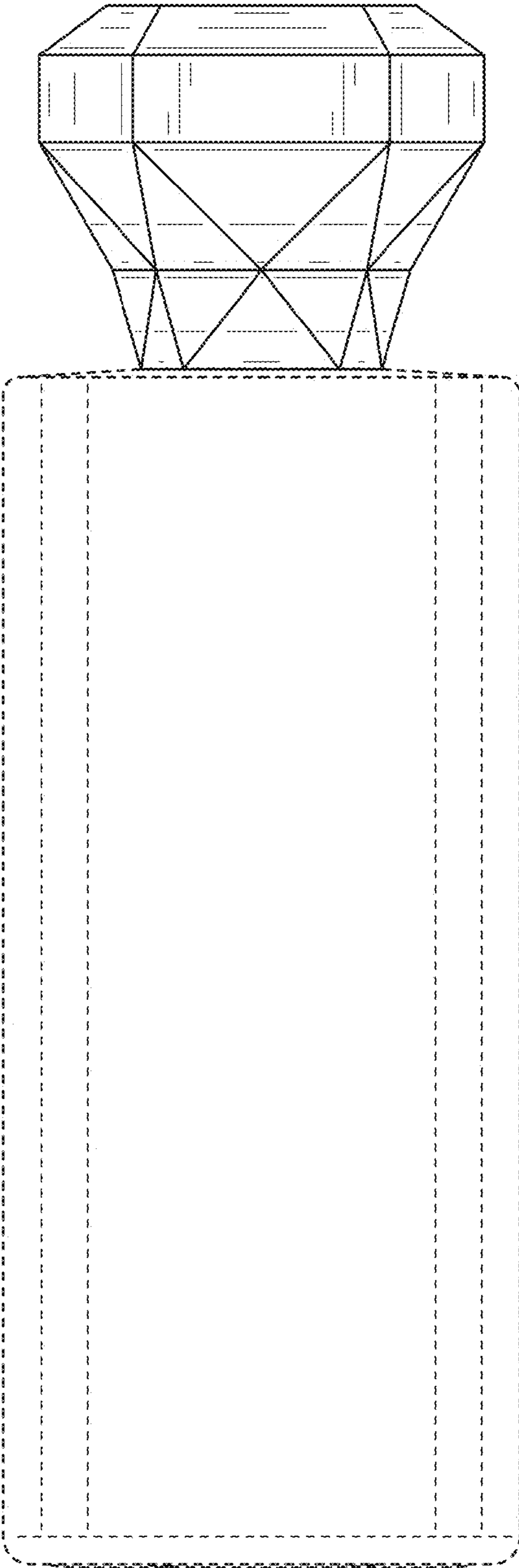


FIG. 2

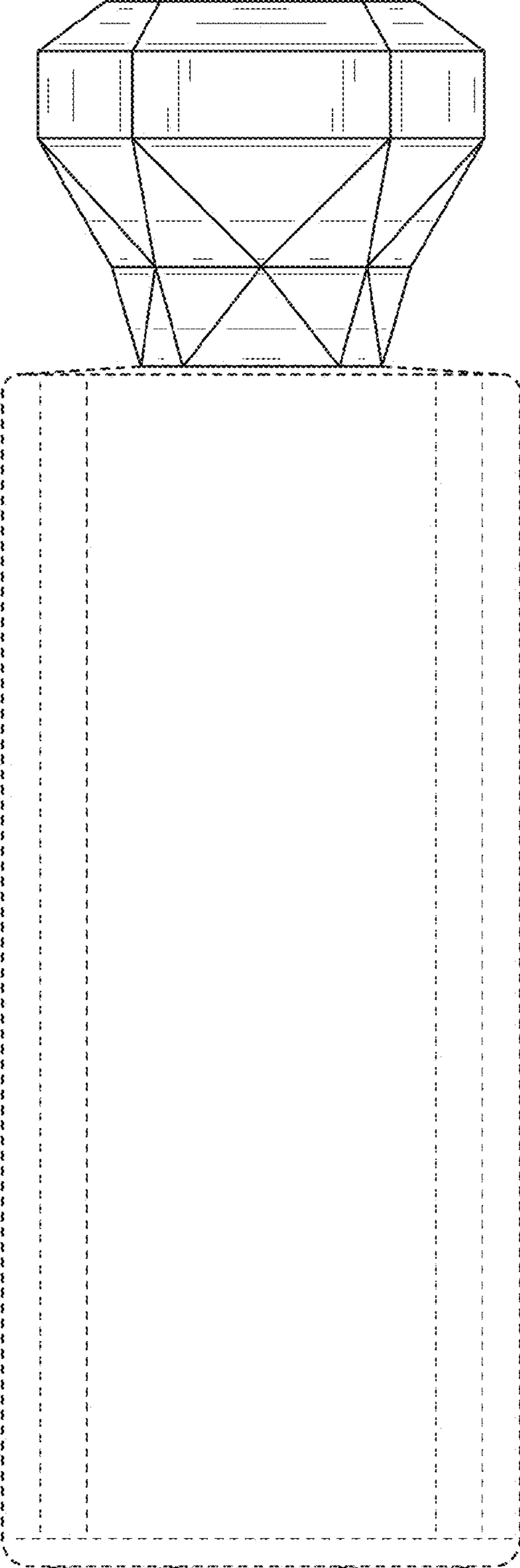


FIG. 3

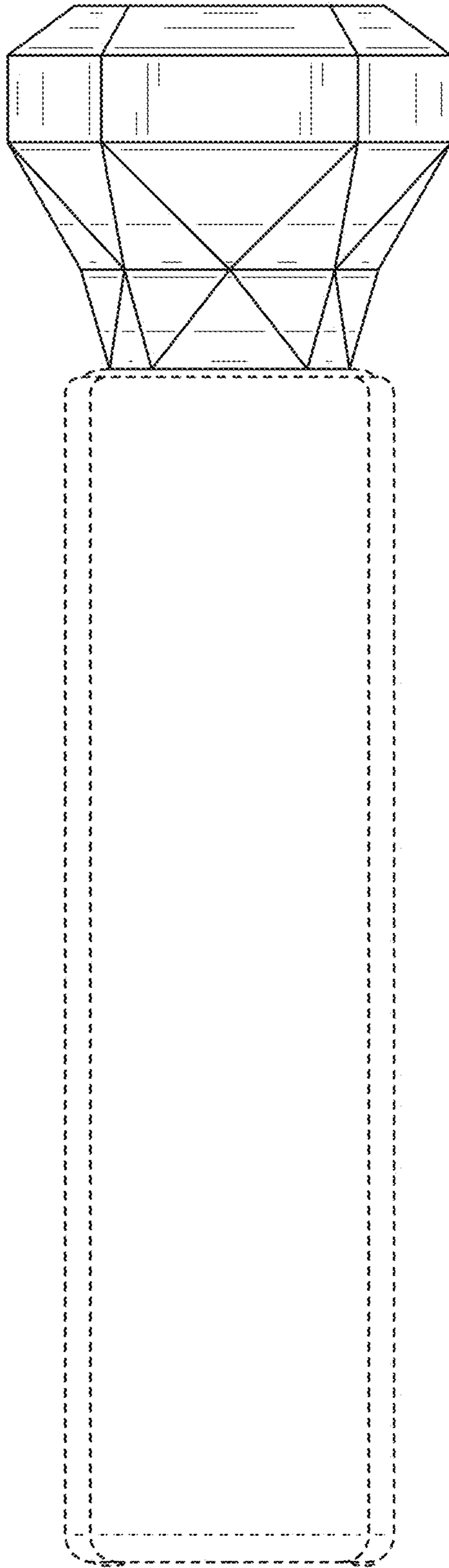


FIG. 4

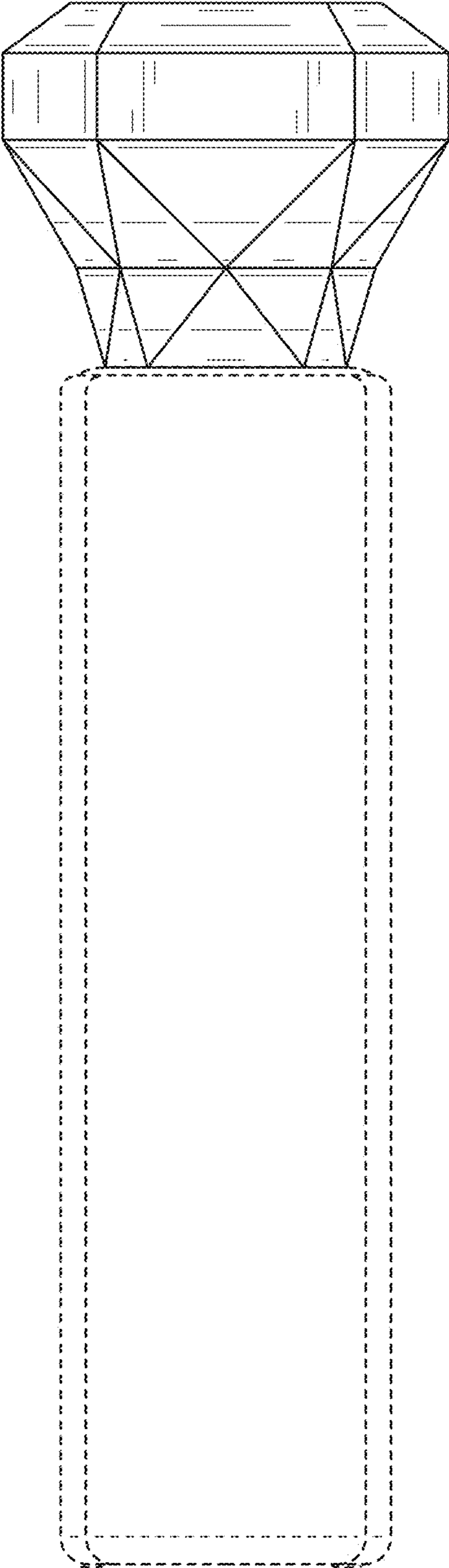


FIG. 5

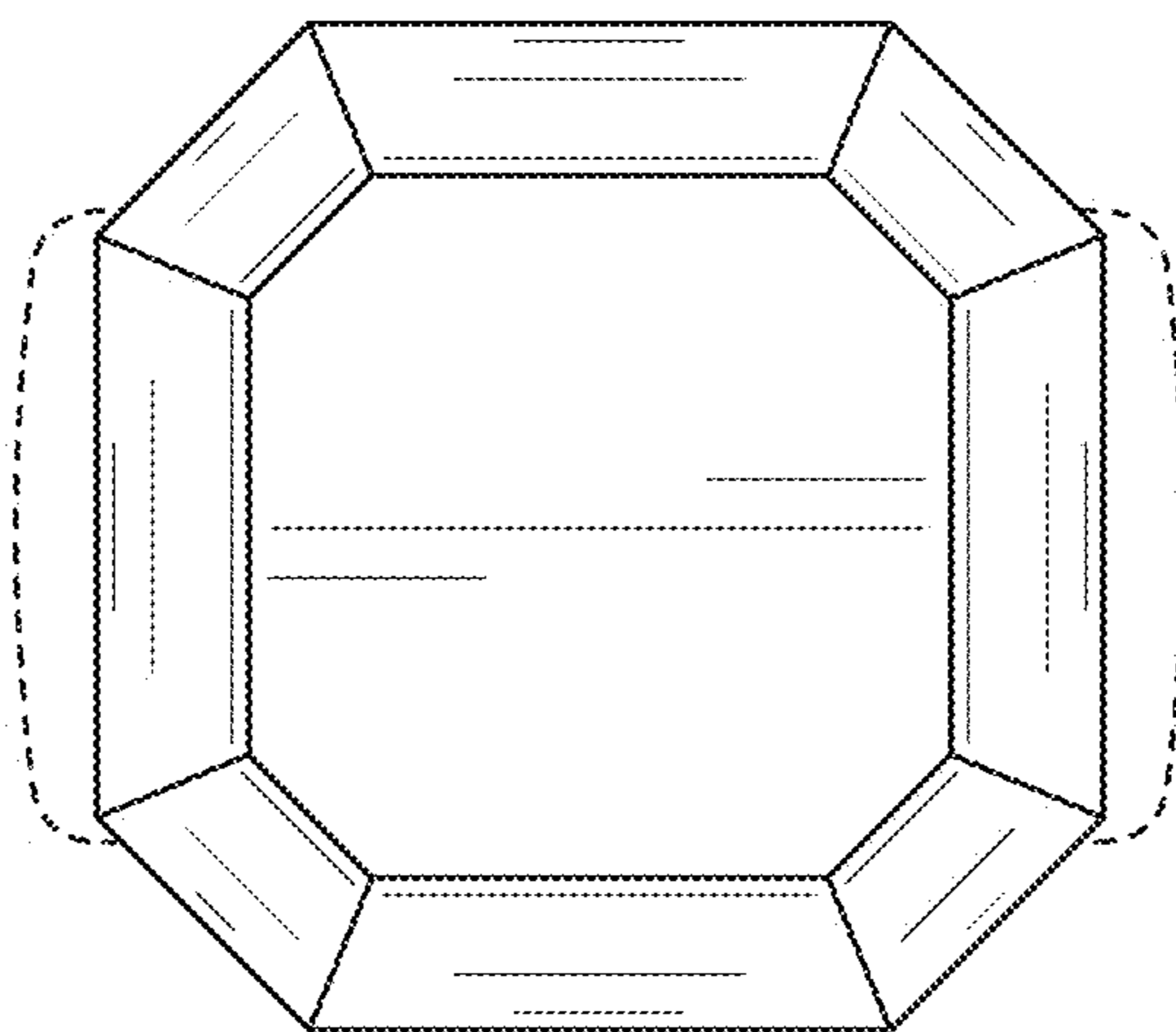


FIG. 6

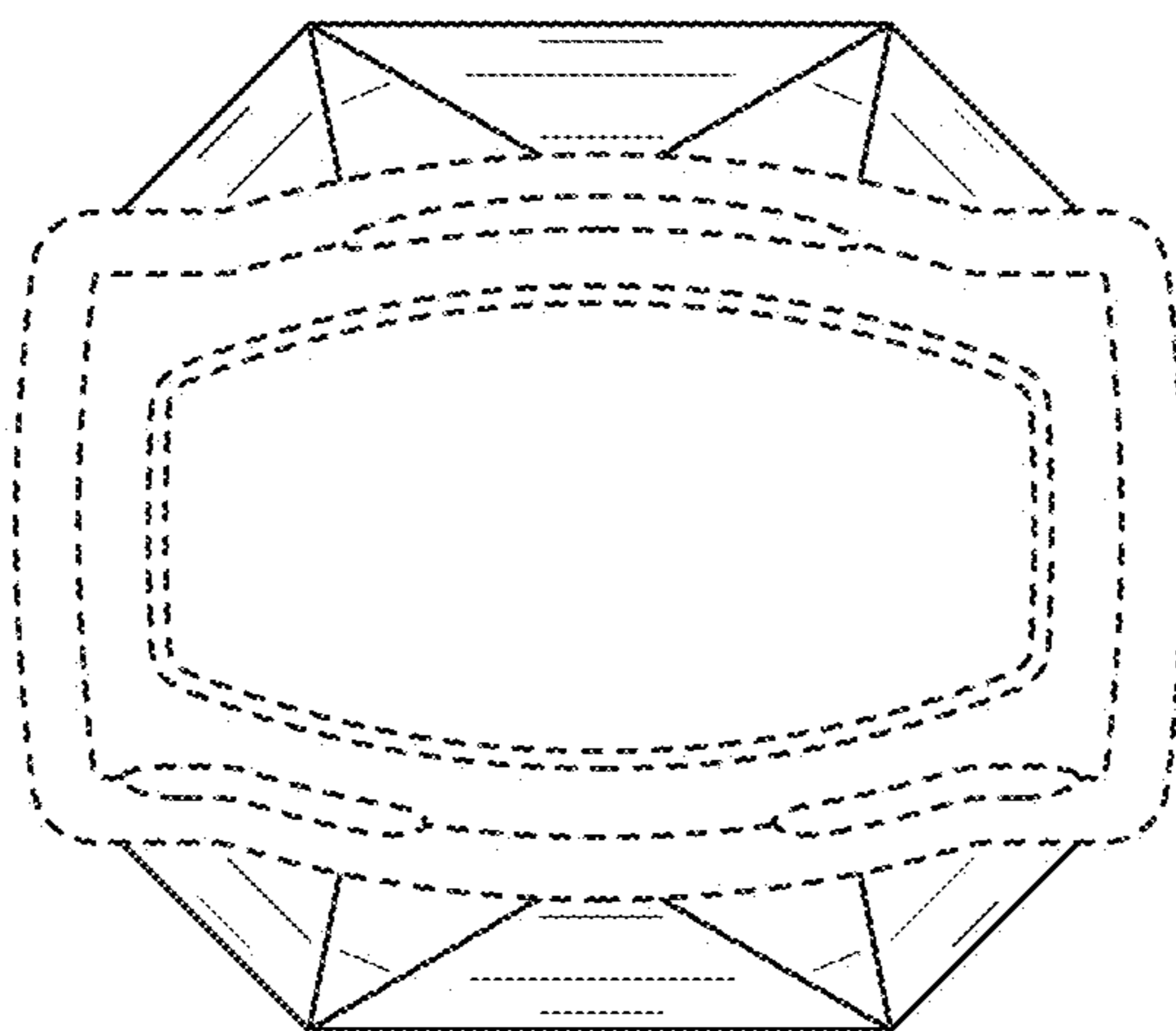


FIG. 7