



US00D740653S

(12) **United States Design Patent**
Akana et al.

(10) **Patent No.:** **US D740,653 S**
(45) **Date of Patent:** **** Oct. 13, 2015**

(54) **PACKAGE**

(71) Applicant: **Apple Inc.**, Cupertino, CA (US)

(72) Inventors: **Jody Akana**, San Francisco, CA (US);
Bartley K. Andre, Palo Alto, CA (US);
Shota Aoyagi, San Francisco, CA (US);
Jeremy Bataillou, San Francisco, CA (US);
Daniel J. Coster, San Francisco, CA (US);
Daniele De Iuliis, San Francisco, CA (US);
M. Evans Hankey, San Francisco, CA (US);
Julian Hoening, San Francisco, CA (US);
Richard P. Howarth, San Francisco, CA (US);
Jonathan P. Ive, San Francisco, CA (US);
Duncan Robert Kerr, San Francisco, CA (US);
Shin Nishibori, Kailua, HI (US);
Matthew Dean Rohrbach, San Francisco, CA (US);
Peter Russell-Clarke, San Francisco, CA (US);
Mikael Silvanto, San Francisco, CA (US);
Christopher J. Stringer, Woodside, CA (US);
Eugene Antony Whang, San Francisco, CA (US);
Rico Zörkendörfer, San Francisco, CA (US)

(73) Assignee: **Apple Inc.**, Cupertino, CA (US)

(**) Term: **14 Years**

(21) Appl. No.: **29/489,106**

(22) Filed: **Apr. 25, 2014**

Related U.S. Application Data

(63) Continuation of application No. 29/431,868, filed on Sep. 11, 2012, now Pat. No. Des. 706,643.

(51) **LOC (10) Cl.** **09-03**

(52) **U.S. Cl.**
USPC **D9/418**; D9/431; D9/424

(58) **Field of Classification Search**
USPC D9/414–434, 442–445, 456–457, 542, D9/563, 600, 614–624, 655, 657, 658, 661,

D9/695, 697–699, 707–708, 711, 721, D9/772–776; D7/601, 602, 538, 540, D7/550.1; D3/202, 203.5, 203.6, 205
CPC B65D 5/00; B65D 5/001; B65D 5/0015; B65D 5/0227–5/0254; B65D 5/0045; B65D 5/18; B65D 5/2033; B65D 5/38; B65D 5/40; B65D 1/22; B65D 1/225; B65D 1/24; B65D 1/34; B65D 1/38
See application file for complete search history.

(56) **References Cited**

U.S. PATENT DOCUMENTS

4,542,822 A 9/1985 Kennedy, Jr. et al.
D397,865 S 9/1998 Lin

(Continued)

OTHER PUBLICATIONS

Jacostore .co.uk, “Black Ladybird Beetle Earphones,” (<http://www.jacostore.co.uk/black-ladybird-beetle-earphones-45-p.asp>), accessed Oct. 19, 2012, 1 page.

(Continued)

Primary Examiner — Susan Bennett Hattan

Assistant Examiner — Vy Koenig

(74) *Attorney, Agent, or Firm* — Sterne, Kessler, Goldstein & Fox P.L.L.C.

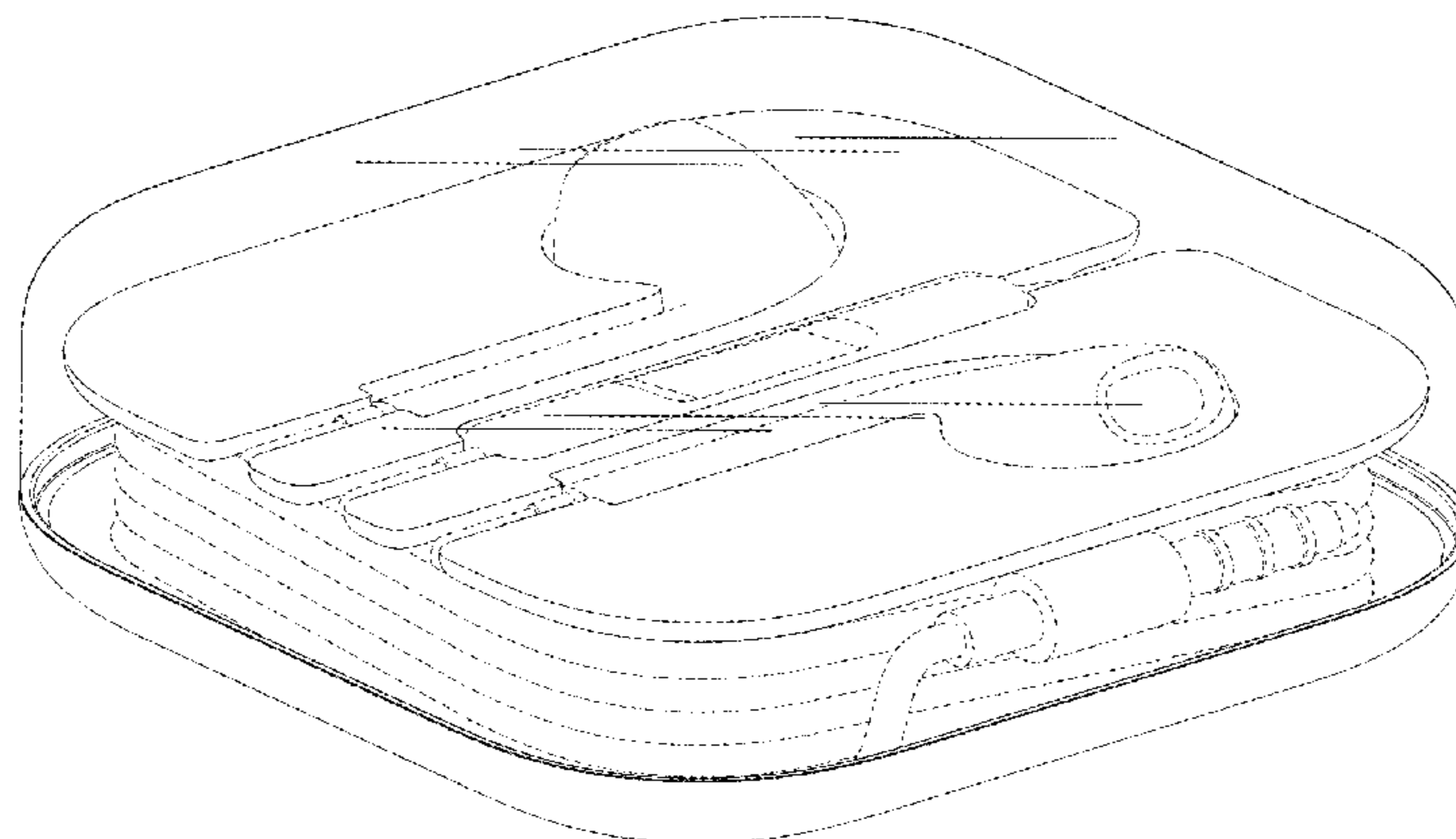
(57) **CLAIM**

The ornamental design for package, as shown and described.

DESCRIPTION

FIG. 1 is a perspective view of package showing our new design;
FIG. 2 is a top view thereof;
FIG. 3 is a bottom view thereof;
FIG. 4 is a rear view thereof;
FIG. 5 is a front view thereof;
FIG. 6 is left view thereof; and,
FIG. 7 is a right view thereof.
The broken lines in the Figures show environment that forms no part of the claimed design.
The oblique shade lines in the figures show transparency, not surface ornamentation.

1 Claim, 5 Drawing Sheets



(56)

References Cited

U.S. PATENT DOCUMENTS

5,984,224 A 11/1999 Yang
 D479,016 S 8/2003 Sgariboldi
 D493,335 S 7/2004 Armato
 D506,744 S 6/2005 Andre et al.
 D531,025 S 10/2006 Tanner
 D556,571 S 12/2007 Jalet
 D558,571 S 1/2008 Andre et al.
 D577,250 S 9/2008 Zanaletti
 D580,752 S 11/2008 Andre et al.
 D584,142 S 1/2009 Andre et al.
 D601,884 S 10/2009 Andre et al.
 D604,501 S 11/2009 Lee
 D604,605 S 11/2009 Chung et al.
 D616,741 S 6/2010 Andre et al.
 D618,999 S 7/2010 Akana et al.
 D620,781 S * 8/2010 Weckworth D8/356
 D620,984 S 8/2010 Rose et al.
 D621,256 S 8/2010 Andre et al.
 D624,316 S 9/2010 Ferber et al.
 D637,076 S 5/2011 Akana et al.
 D649,449 S 11/2011 Akana et al.
 D658,492 S 5/2012 Akana et al.
 D659,530 S 5/2012 Akana et al.
 D668,143 S 10/2012 Akana et al.
 D672,660 S 12/2012 Vural
 D676,321 S 2/2013 Jones et al.
 D681,015 S 4/2013 Akana et al.
 D685,771 S 7/2013 Bertenthal
 D686,065 S 7/2013 Kuo et al.

D691,594 S 10/2013 Akana et al.
 D694,249 S 11/2013 Akana et al.
 D706,643 S * 6/2014 Akana et al. D9/721
 D709,384 S * 7/2014 Vural D9/721
 D712,279 S * 9/2014 Akana et al. D9/721
 D712,748 S * 9/2014 Akana et al. D9/721
 D713,738 S * 9/2014 Akana et al. D9/721
 D713,739 S * 9/2014 Akana et al. D9/721
 D718,386 S * 11/2014 Packard et al. D19/86
 D722,264 S * 2/2015 Saideh D9/432
 D722,497 S * 2/2015 Saideh D9/432
 D723,218 S * 2/2015 Goswell D28/83
 D730,581 S * 5/2015 Hwang D28/83

OTHER PUBLICATIONS

Akana et al., U.S. Appl. No. 29/431,876, "Packaging with Accessory," filed Sep. 11, 2012.
 Akana et al., U.S. Appl. No. 29/431,877, "Packaging with Accessories," filed Sep. 12, 2012.
 Akana et al., U.S. Appl. No. 29/431,882, "Packaging with Accessories," filed Sep. 12, 2012.
 Akana et al., U.S. Appl. No. 29/431,920, "Packaging with Accessory," filed Sep. 12, 2012.
 Akana et al., U.S. Appl. No. 29/432,035, "Packaging with Accessories," filed Sep. 12, 2012.
 Akana et al., U.S. Appl. No. 29/432,147, "Packaging with Accessories," filed Sep. 13, 2012.
 Akana et al., U.S. Appl. No. 29/432,409, "Packaging with Accessories," filed Sep. 14, 2012.

* cited by examiner

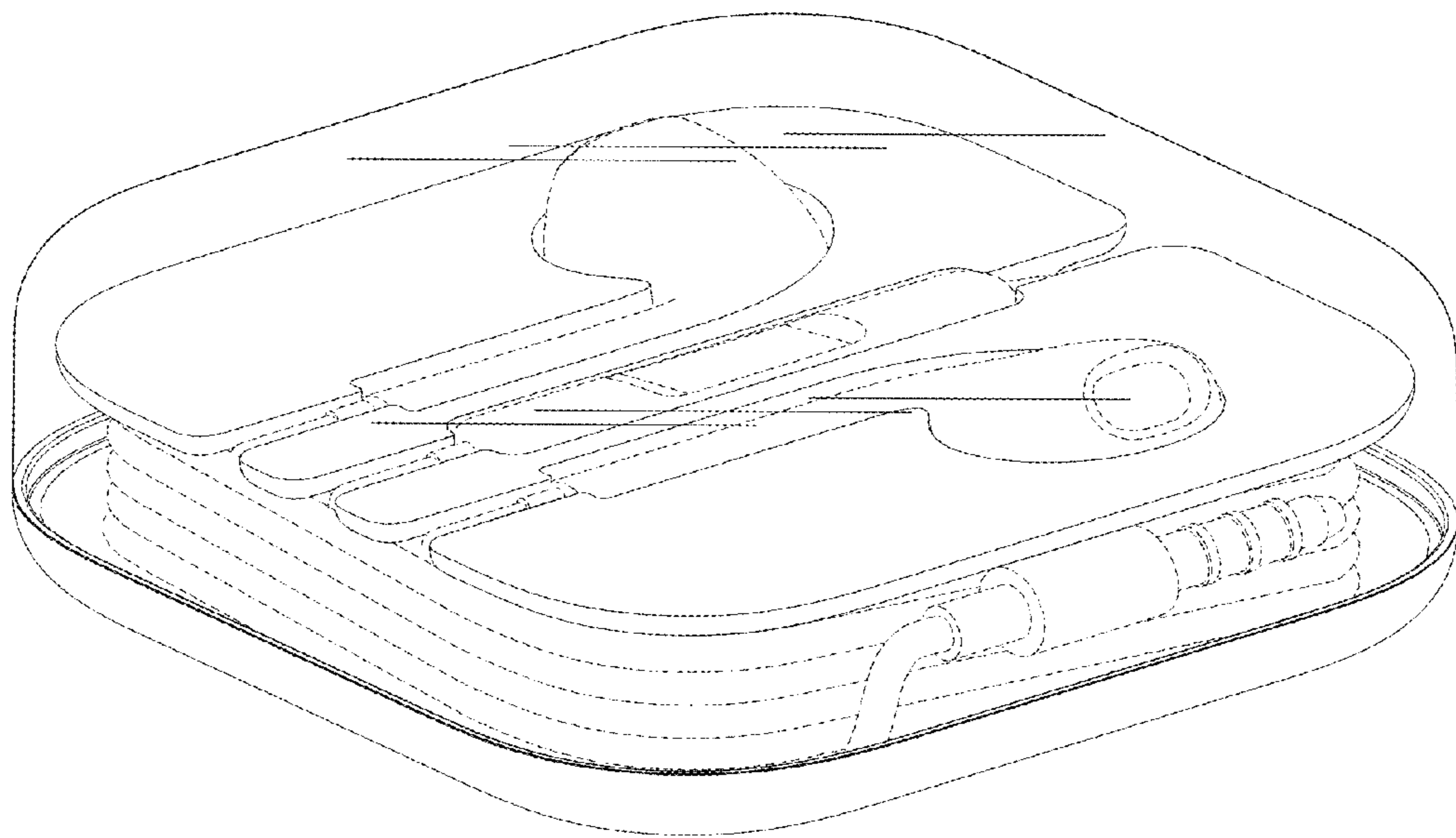


FIG. 1

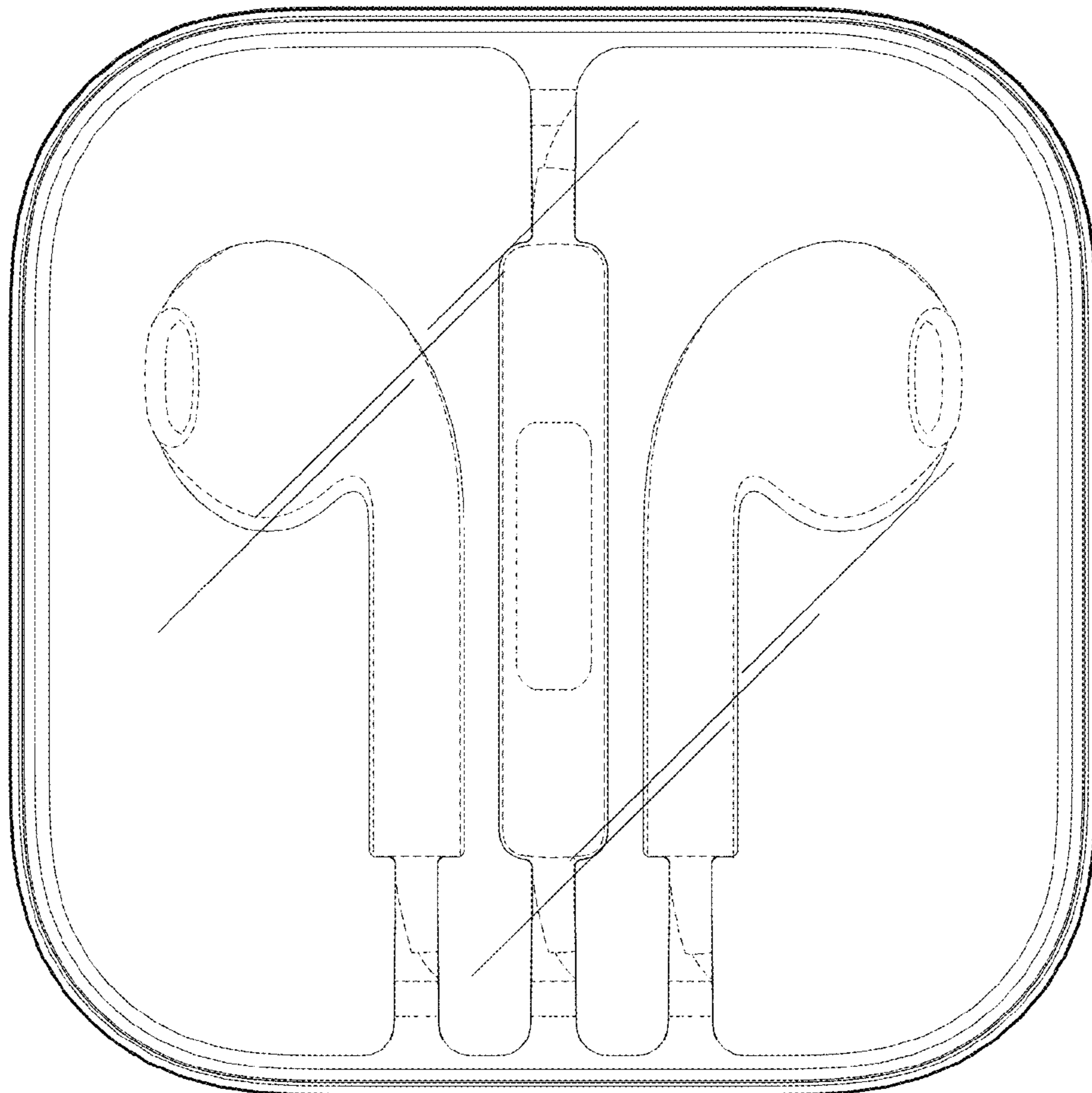


FIG. 2

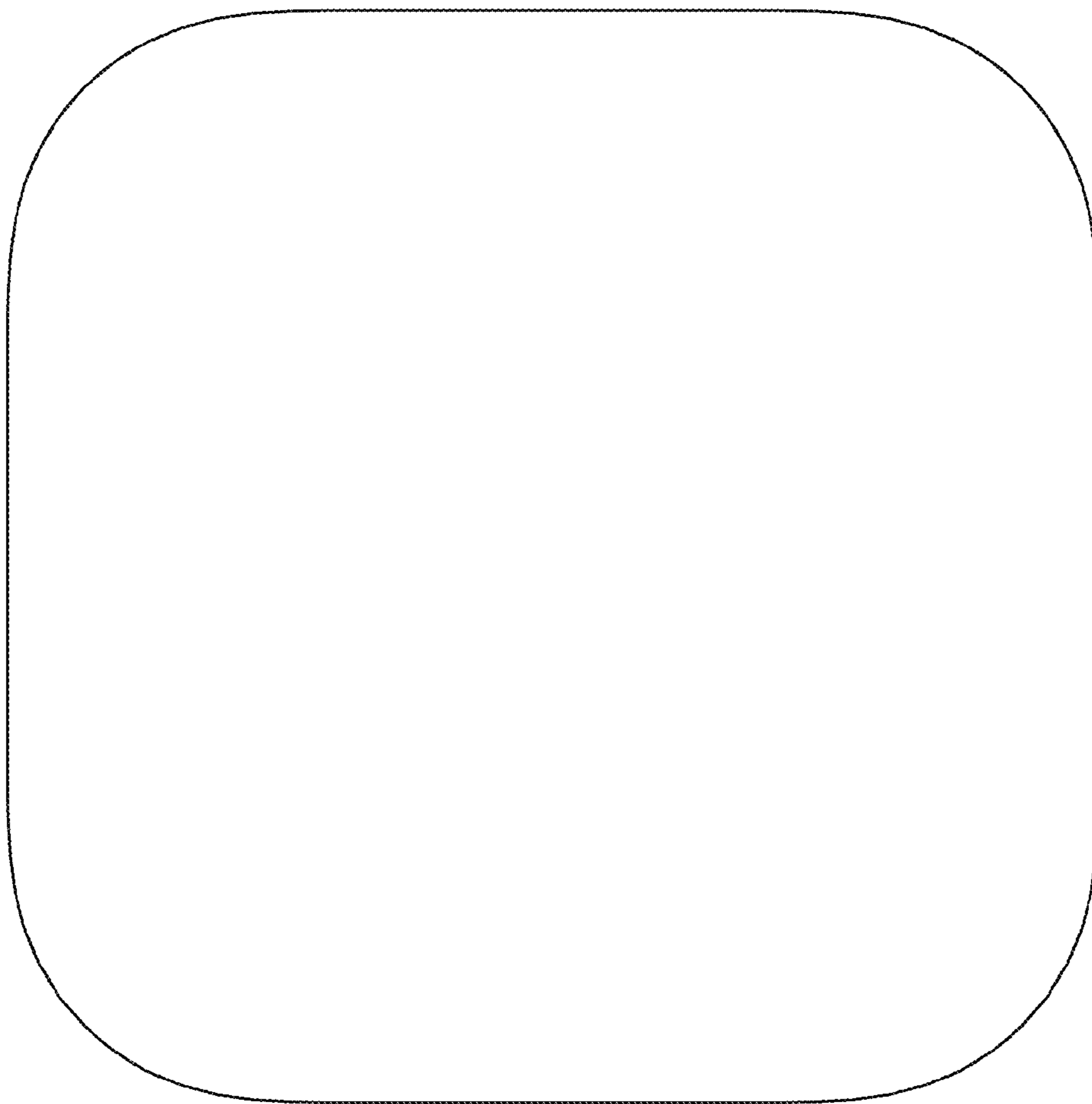


FIG. 3

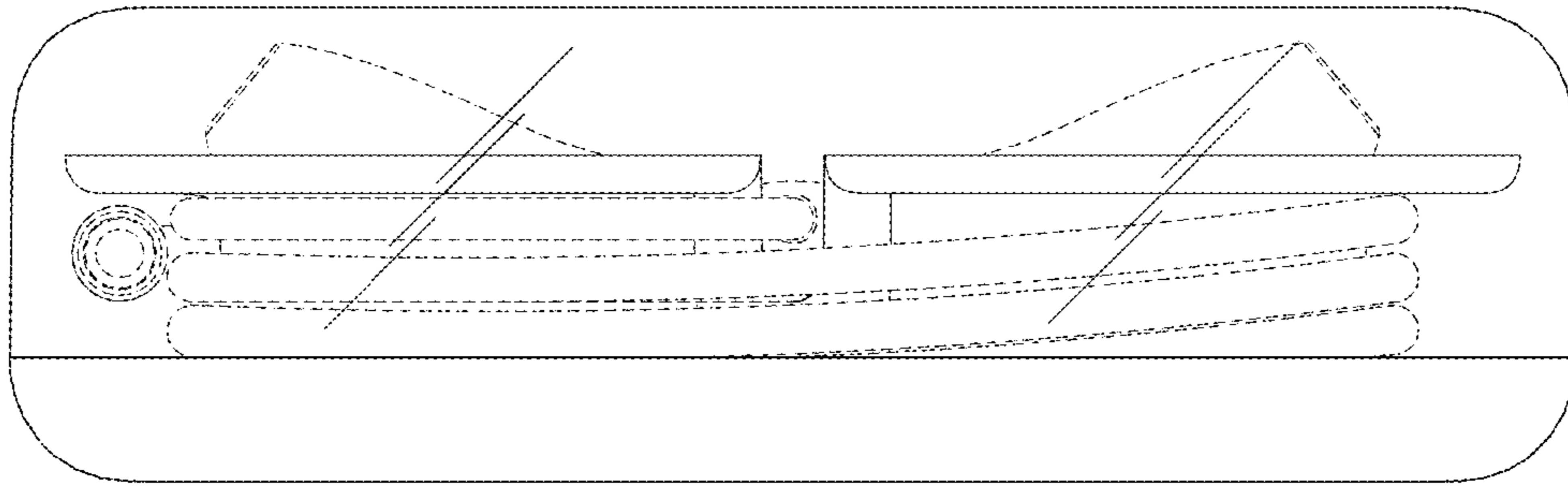


FIG. 4

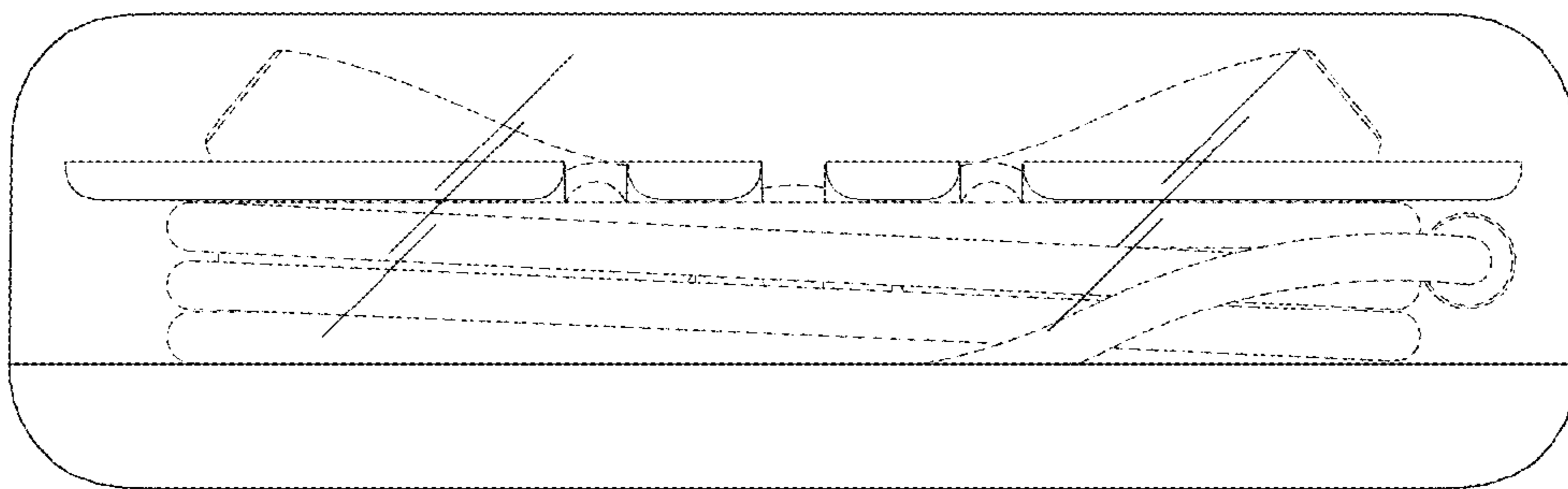


FIG. 5

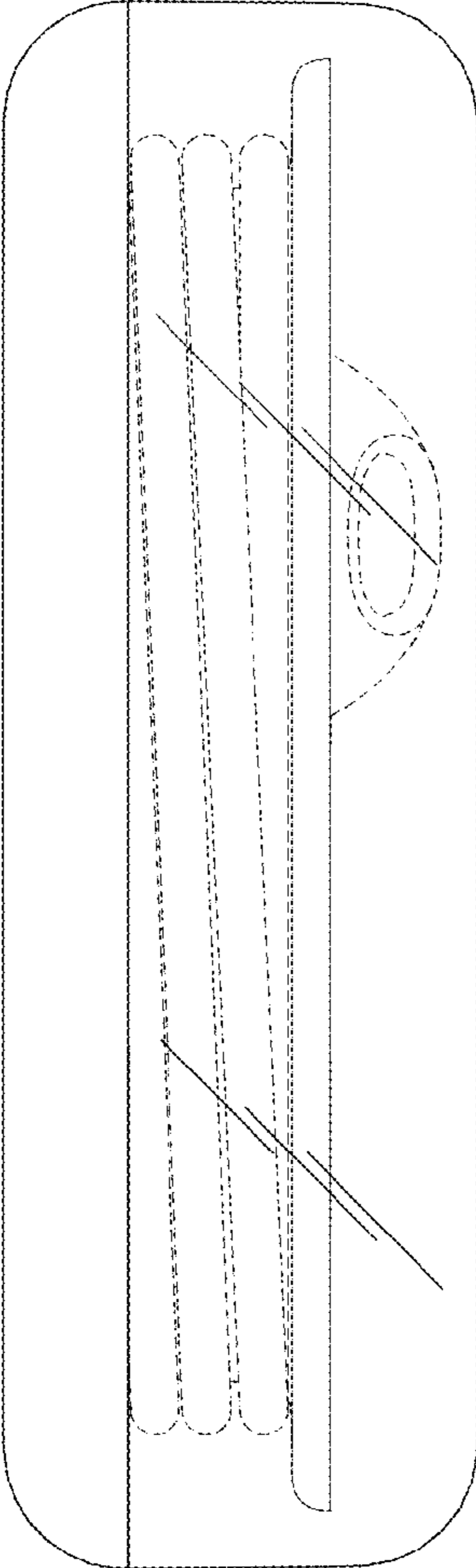


FIG. 6

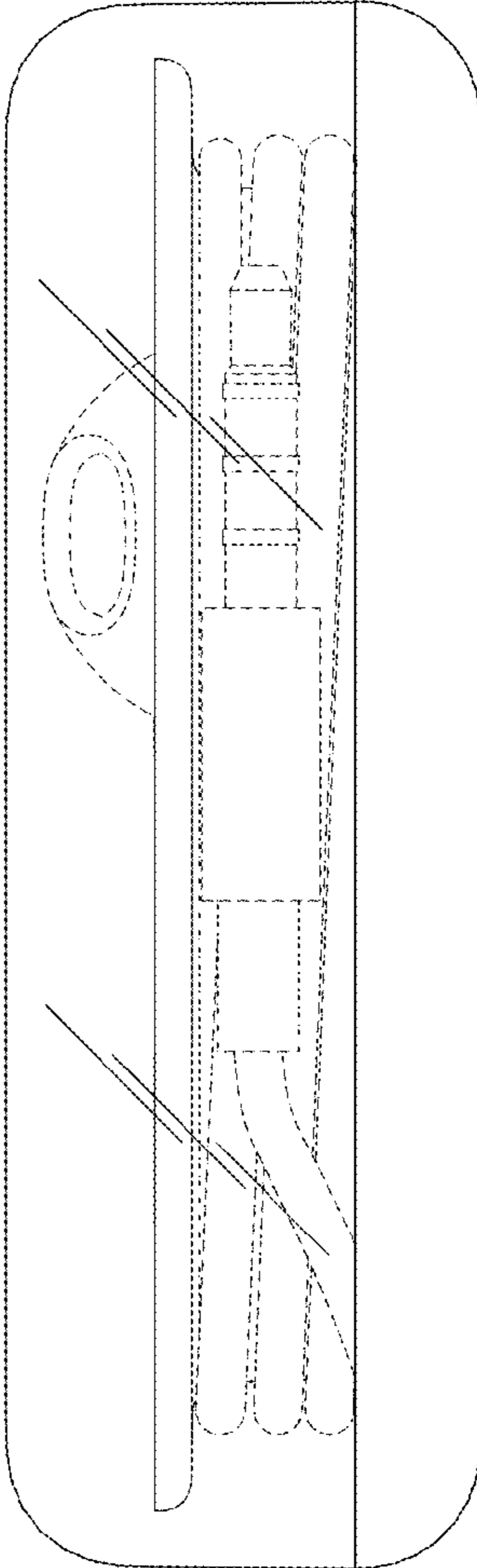


FIG. 7