



US00D740652S

(12) **United States Design Patent**
Makhsudova

(10) **Patent No.:** **US D740,652 S**
(45) **Date of Patent:** **** *Oct. 13, 2015**

- (54) **BOX**
- (76) Inventor: **Nargiz Makhsudova**, San Diego, CA
(US)
- (*) Notice: This patent is subject to a terminal disclaimer.
- (**) Term: **14 Years**
- (21) Appl. No.: **29/307,163**
- (22) Filed: **Apr. 3, 2008**
- (51) **LOC (10) Cl.** **09-03**
- (52) **U.S. Cl.**
USPC **D9/418; D9/432**
- (58) **Field of Classification Search**
USPC D9/414-424, 426, 428, 430-434, 450,
D9/454, 500-503, 520-525, 542, 715, 719,
D9/737, 759, 776-777; D7/354, 505, 538,
D7/540, 541-542, 545, 550.1, 560, 565,
D7/584, 586-587, 602, 629, 667;
220/4.23-4.24, 23.86, 253,
220/254.2-254.7, 351, 507, 524, 574,
220/574.3, 776, 780-781, 791-793, 825,
220/835, 839; 206/39, 45.24, 461,
206/501-509, 512, 538, 533-534, 771,
206/806; 229/123.2-123.3, 125.13-125.14;
428/34.1, 35.7, 36.5-36.8; D30/101,
D30/129; 16/429; D28/76, 83; D3/294, 298,
D3/901
See application file for complete search history.

- (56) **References Cited**
U.S. PATENT DOCUMENTS
D52,562 S * 10/1918 Dickmeyer D9/418
4,269,347 A * 5/1981 Cavan, Jr. 229/122
4,676,371 A * 6/1987 Byrne 312/49

- D291,534 S * 8/1987 Hamilton et al. D9/761
- D346,738 S * 5/1994 Kinigakis D9/711
- D364,087 S * 11/1995 Farley D9/418

(Continued)

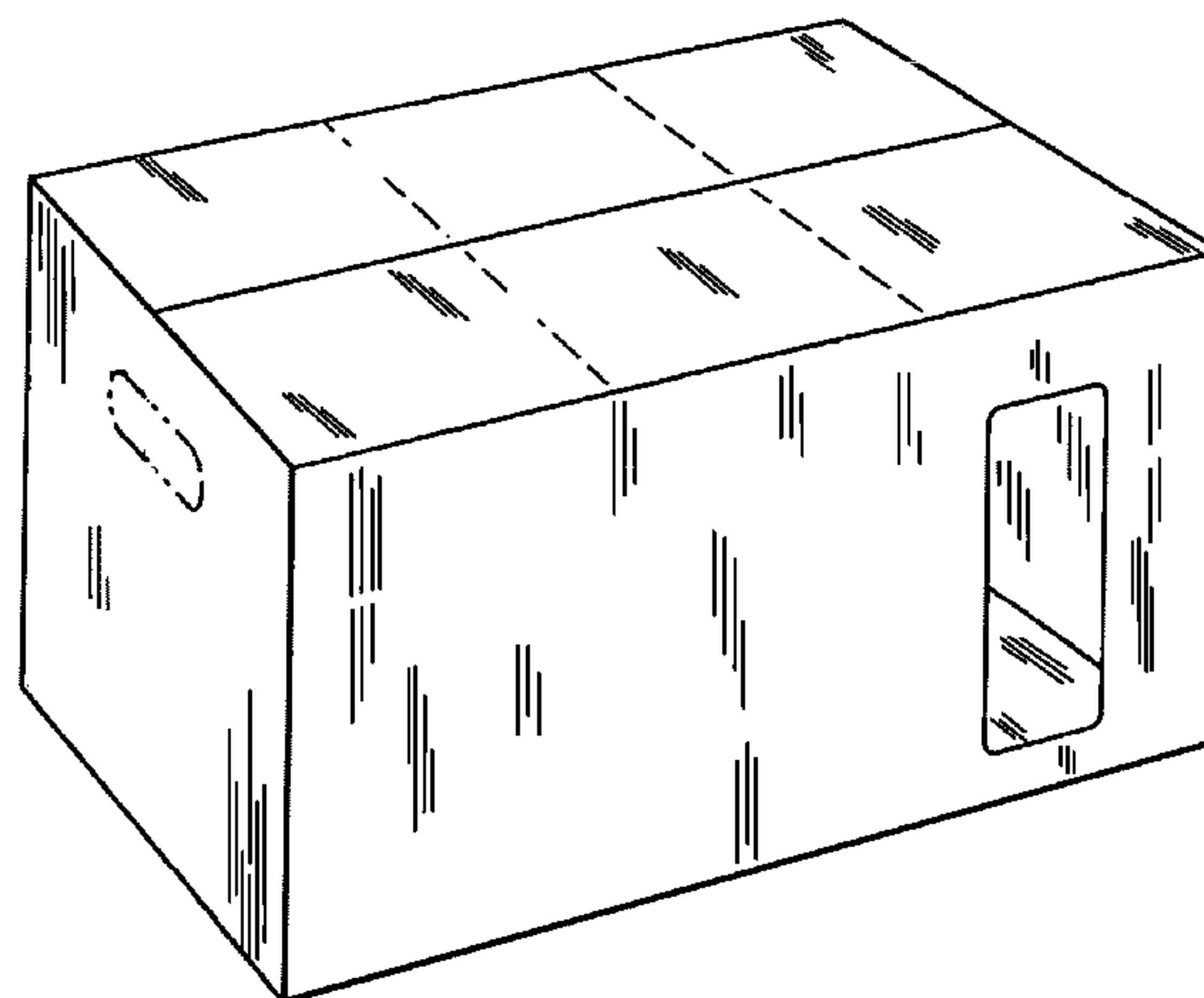
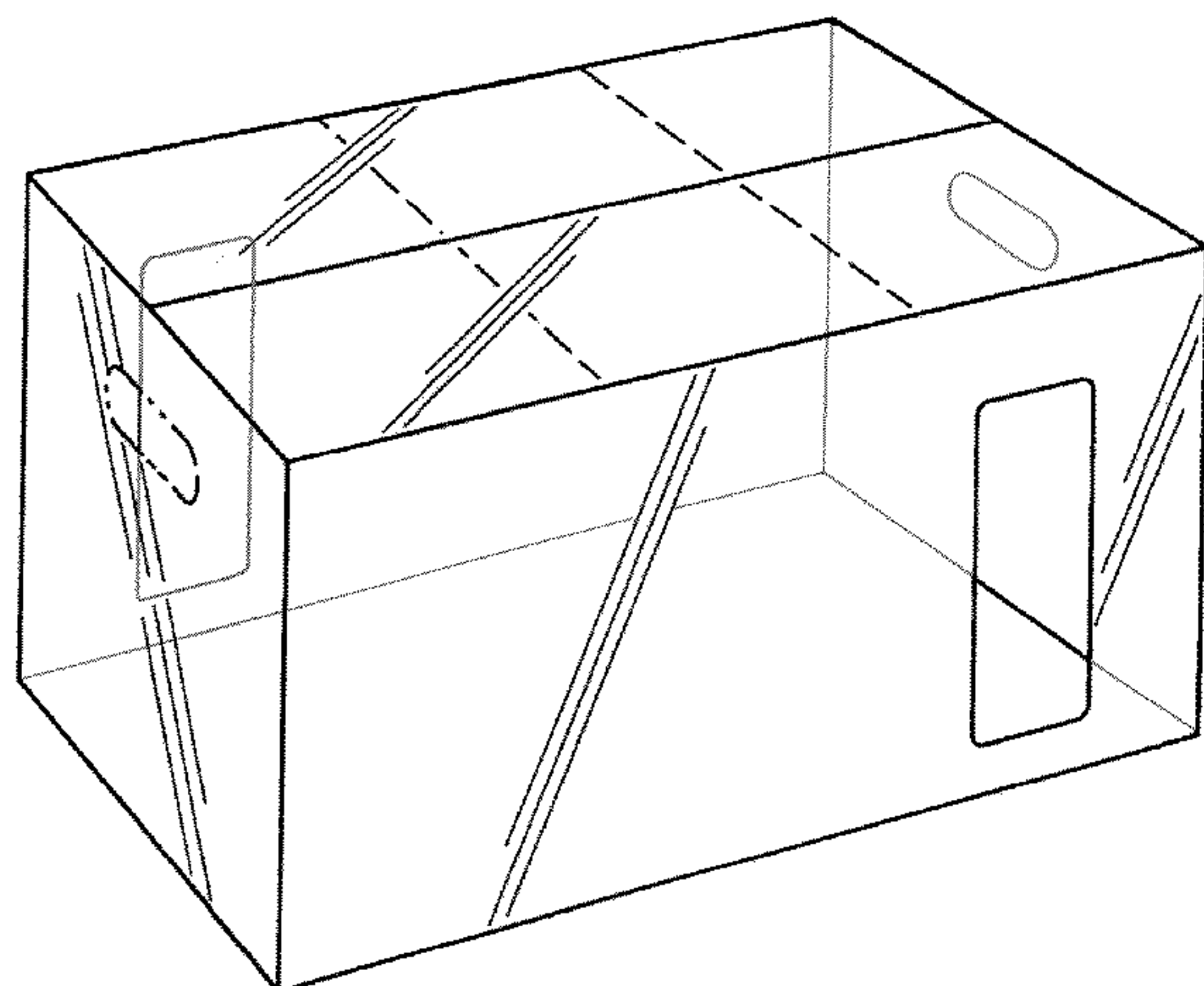
Primary Examiner — Susan Bennett Hattan
Assistant Examiner — Vy Koenig
(74) *Attorney, Agent, or Firm* — Donn K. Harms

(57) **CLAIM**
The ornamental design for a box, as shown and described.

DESCRIPTION

FIG. 1 is of a perspective view of a first embodiment of a box according to my new design in which the box is transparent; FIG. 2 is a first end view of the box in which the box is transparent; FIG. 3 is a second end view of the box opposite the view of FIG. 2 in which the box is transparent; FIG. 4 is a top plan view thereof in which the box is transparent; FIG. 5 is first side view thereof in which the box is transparent; FIG. 6 is a bottom view of the box of FIG. 1 in which the box is transparent; FIG. 7 is a second side view thereof opposite the view of FIG. 5 in which the box is transparent; FIG. 8 is of a perspective view of a second embodiment of a box according to my new design in which the box is opaque; FIG. 9 is a first end view of the box in which the box is opaque; FIG. 10 is a second end view of the box opposite the view of FIG. 9 in which the box is opaque; FIG. 11 is a top plan view thereof in which the box is opaque; FIG. 12 is first side view thereof in which the box is opaque; FIG. 13 is a bottom view of the box of FIG. 8 in which the box is opaque; and, FIG. 14 is a second side view thereof opposite the view of FIG. 12 in which the box is transparent. The broken lines shown in the drawings depict portions of the box that form no part of the claimed design.

1 Claim, 8 Drawing Sheets



(56)

References Cited

U.S. PATENT DOCUMENTS

D379,759 S *	6/1997	Mulry	D9/418	D511,091 S *	11/2005	Liwag	D9/418
D429,462 S *	8/2000	Kumakura et al.	D9/415	D535,102 S *	1/2007	Matsuda	D3/302
D429,637 S *	8/2000	Kumakura et al.	D9/415	7,222,745 B2 *	5/2007	Gutierrez et al.	220/675
D477,217 S *	7/2003	Riedi	D9/418	D584,053 S *	1/2009	Abdo et al.	D3/302
D494,061 S *	8/2004	Brown	D9/418	D590,248 S *	4/2009	Mu et al.	D9/418
D507,484 S *	7/2005	Kumakura et al.	D9/430	D604,602 S *	11/2009	Kohno	D9/418
				D604,603 S *	11/2009	Kohno	D9/418
				D617,636 S *	6/2010	Vanhoutte	D9/431
				D640,128 S *	6/2011	Harshman	D9/418

* cited by examiner

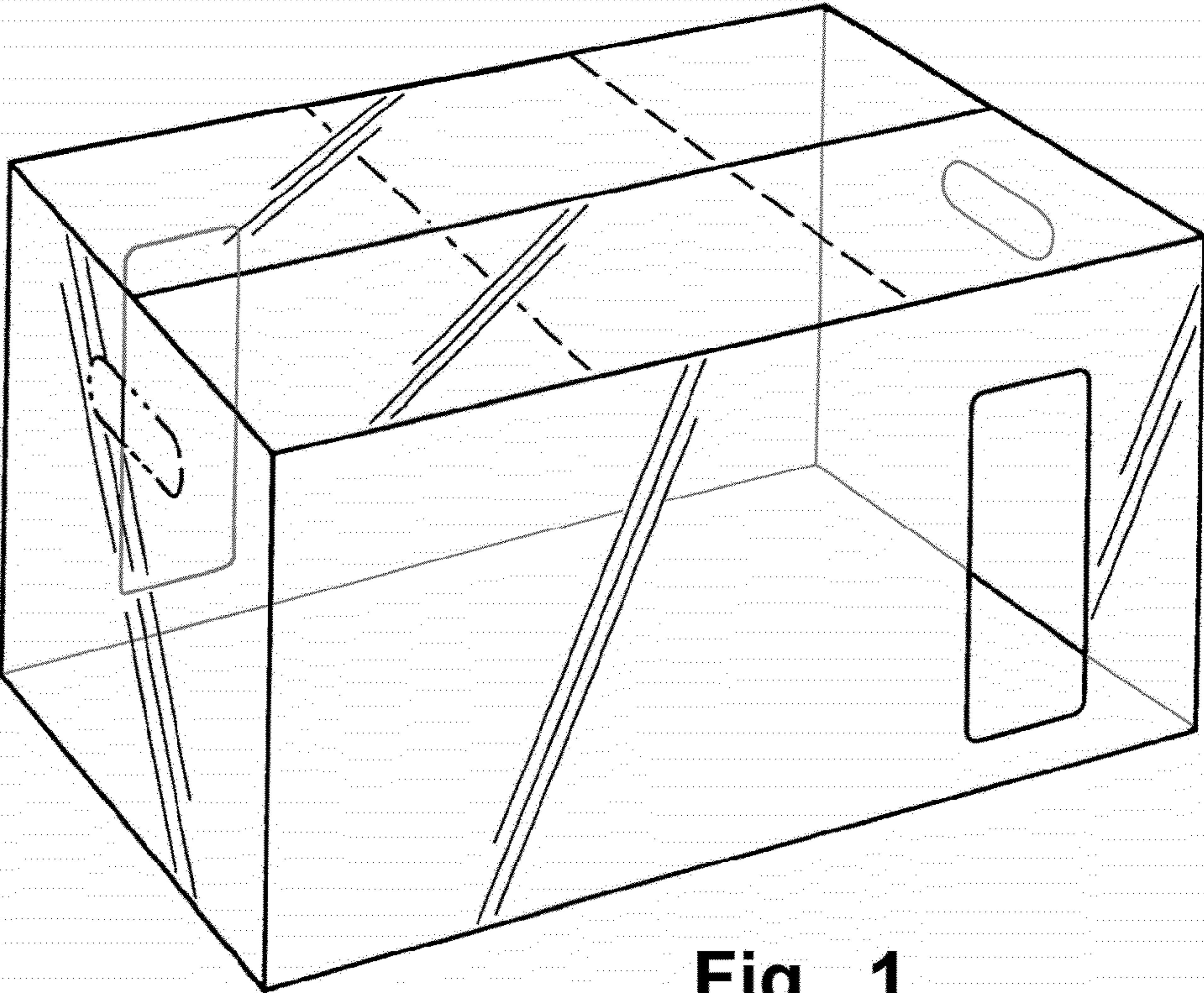


Fig. 1

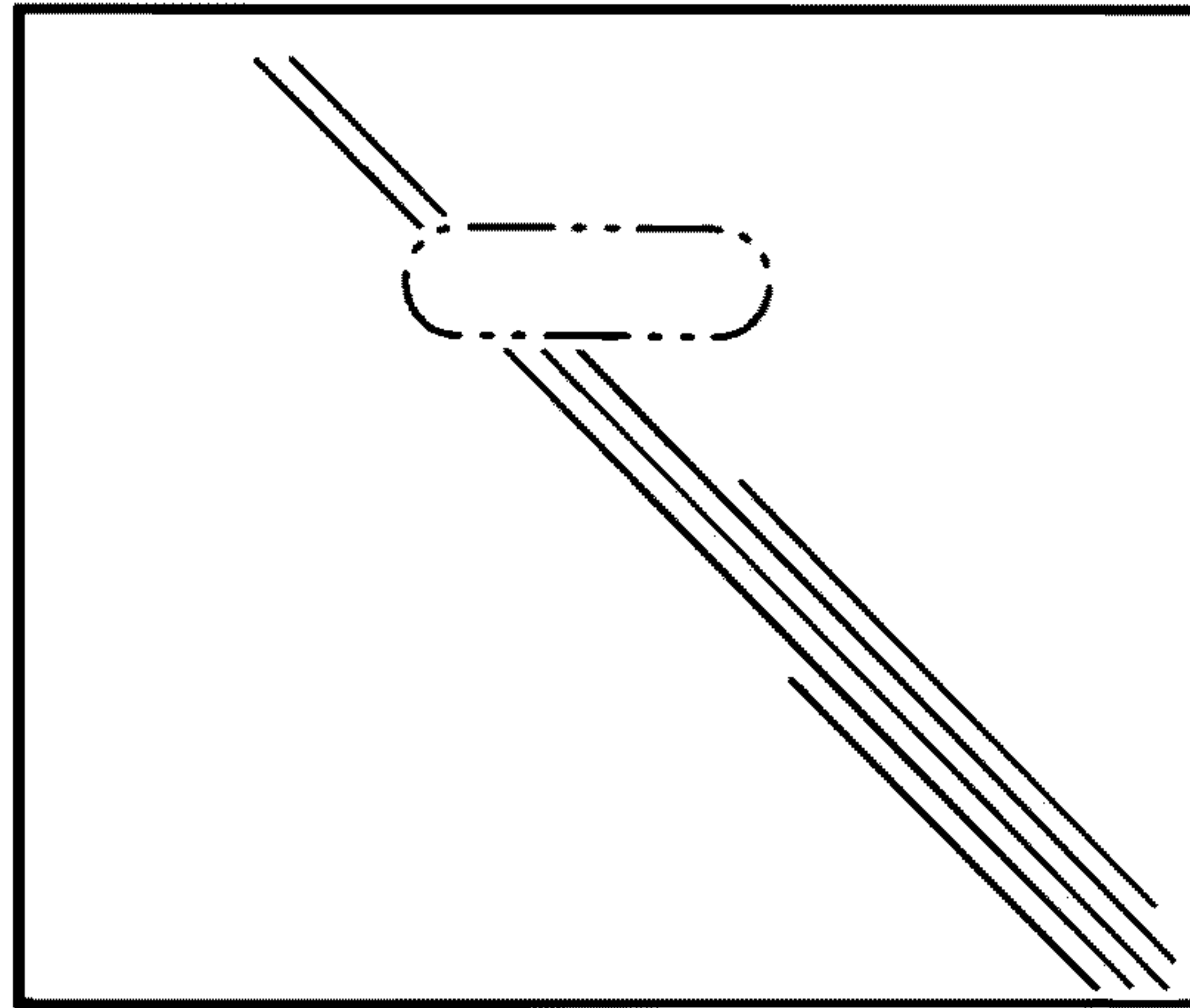


Fig. 2

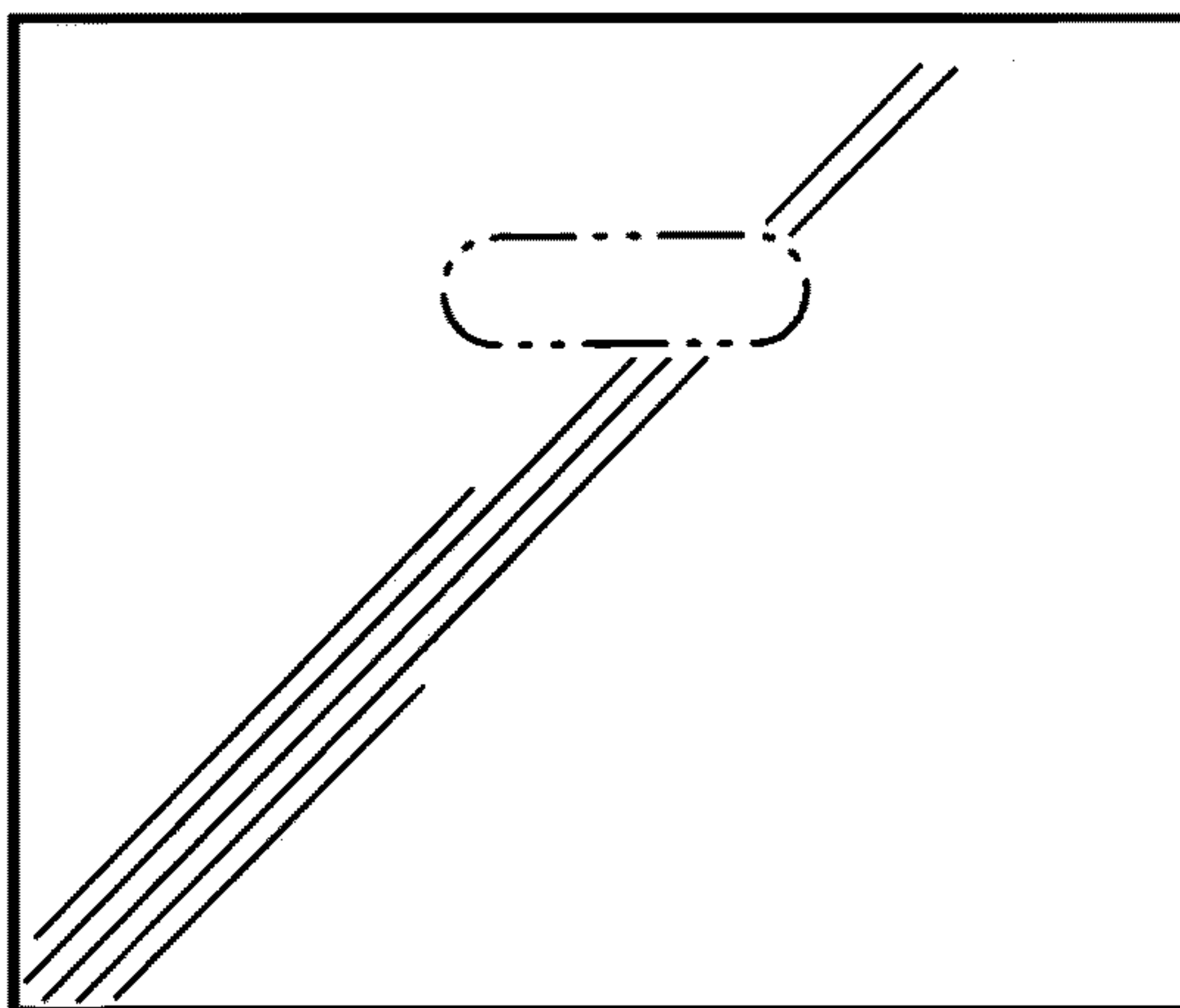


Fig. 3

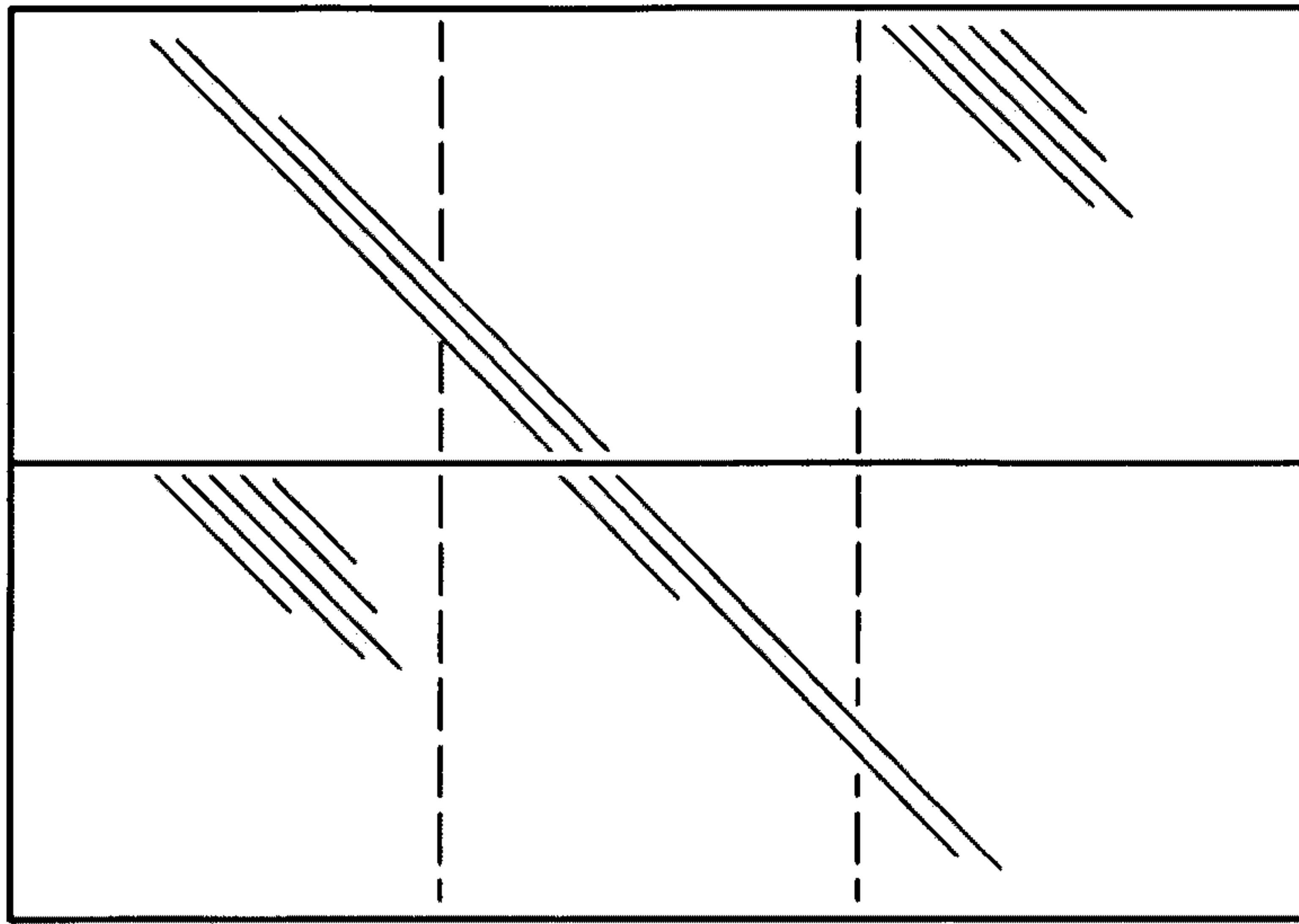


Fig. 4

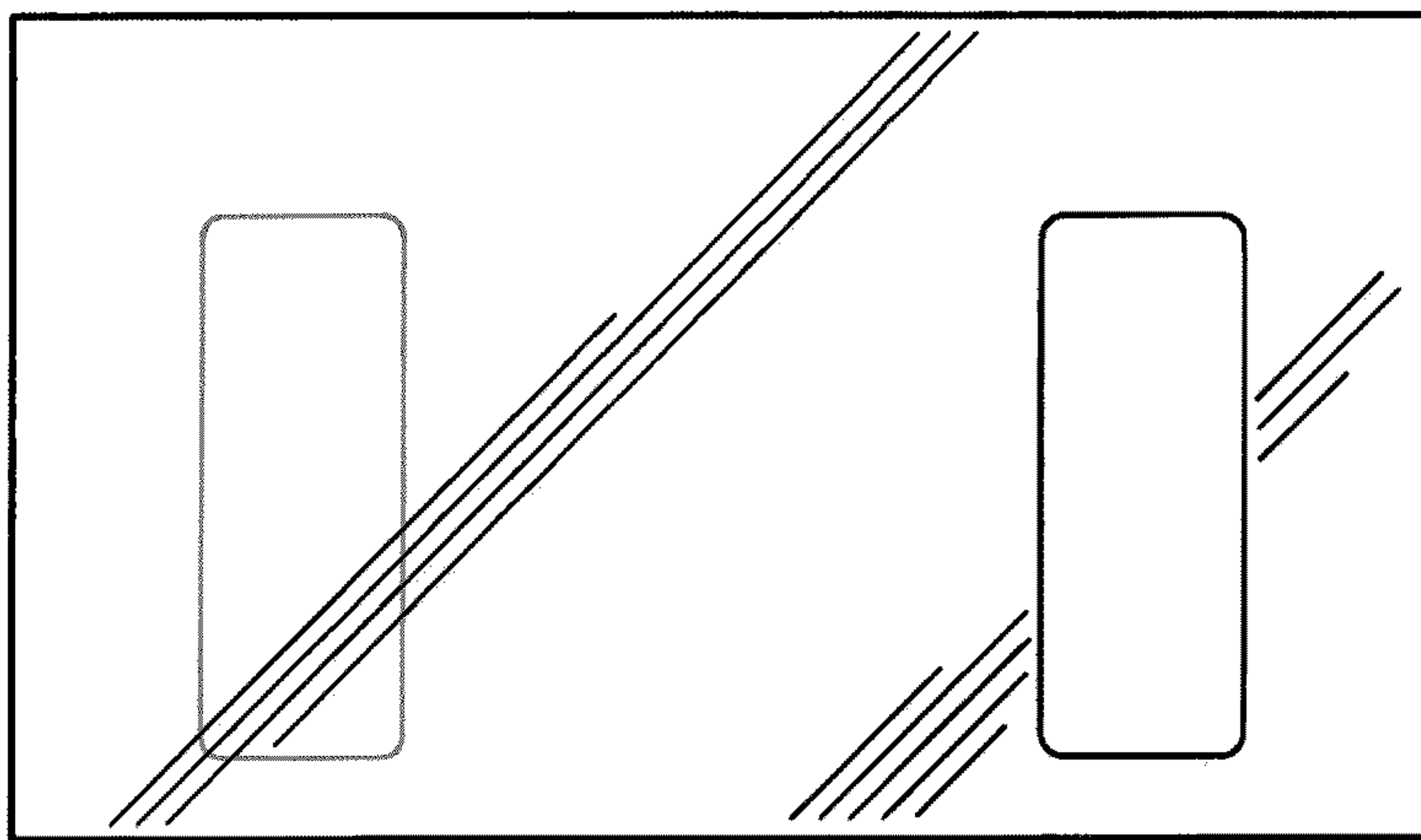


Fig. 5

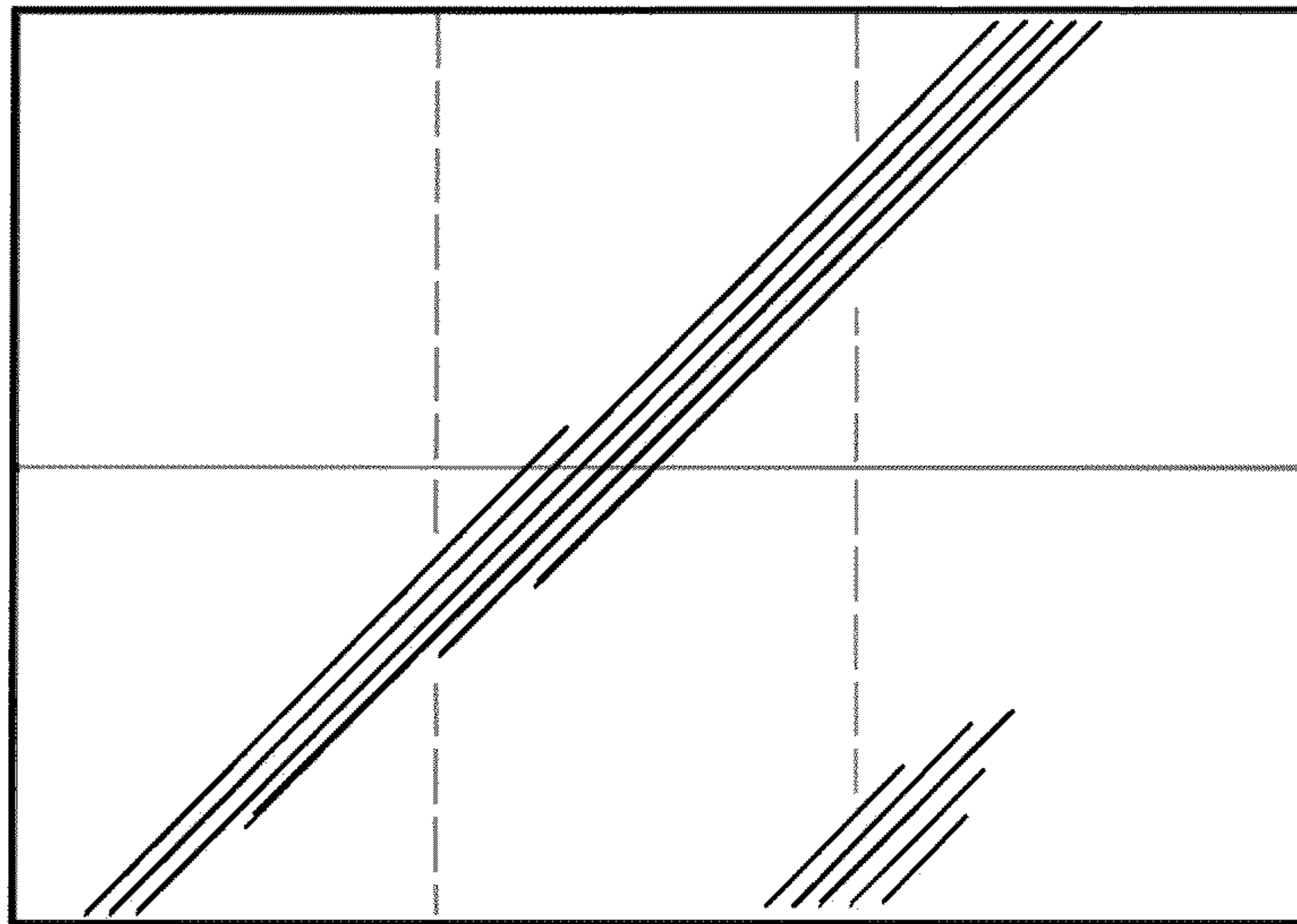


Fig. 6

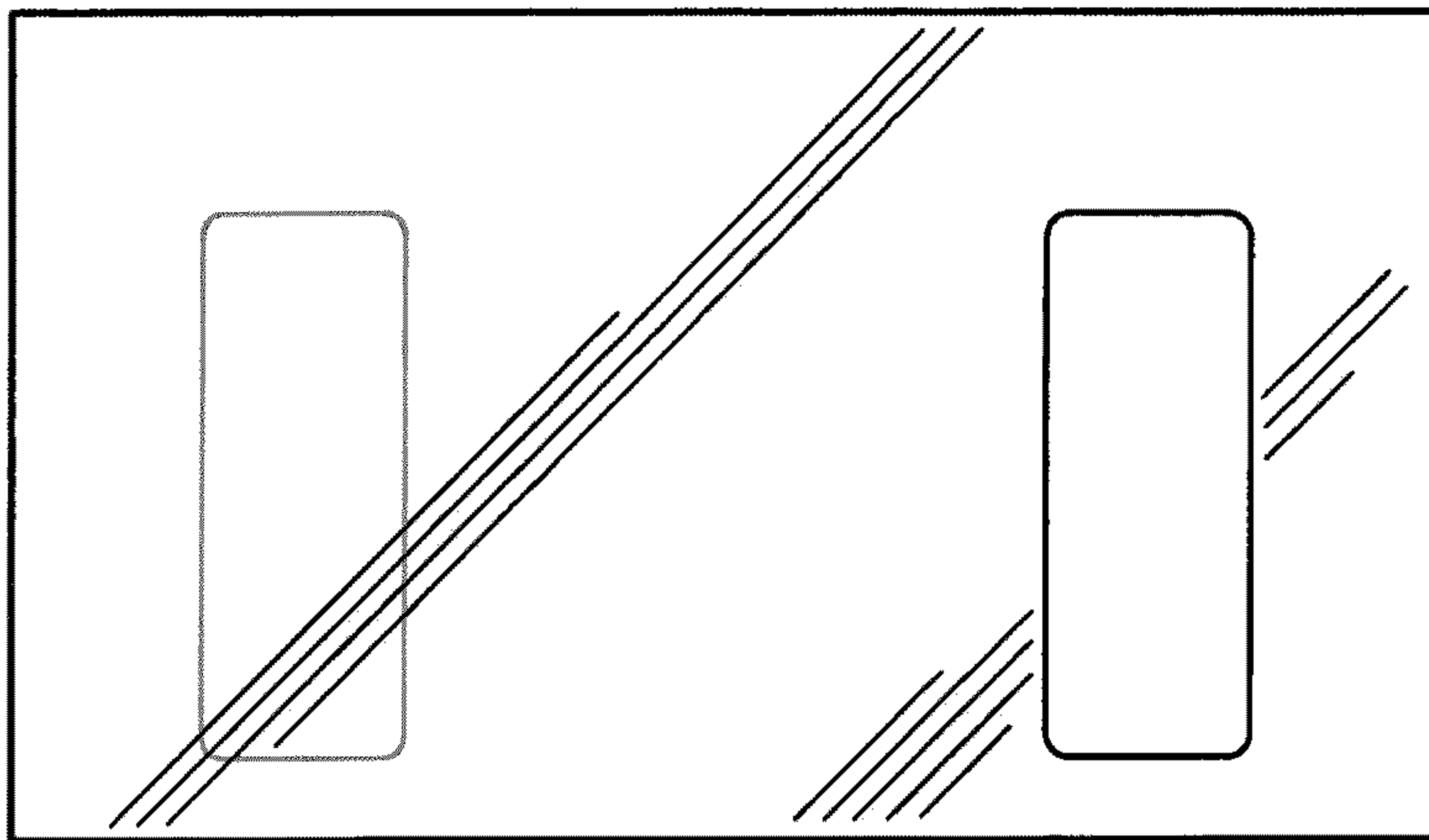


Fig. 7

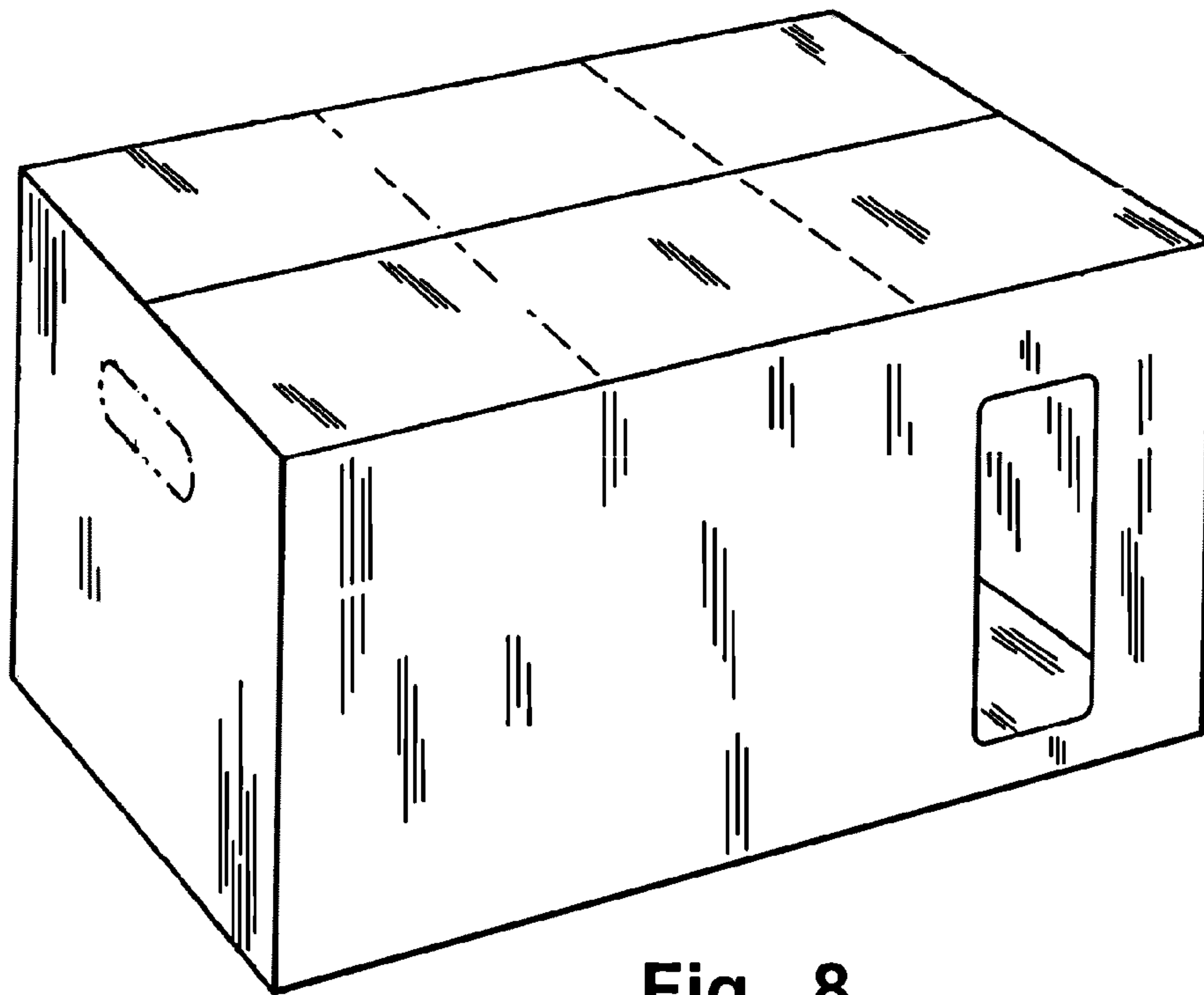


Fig. 8

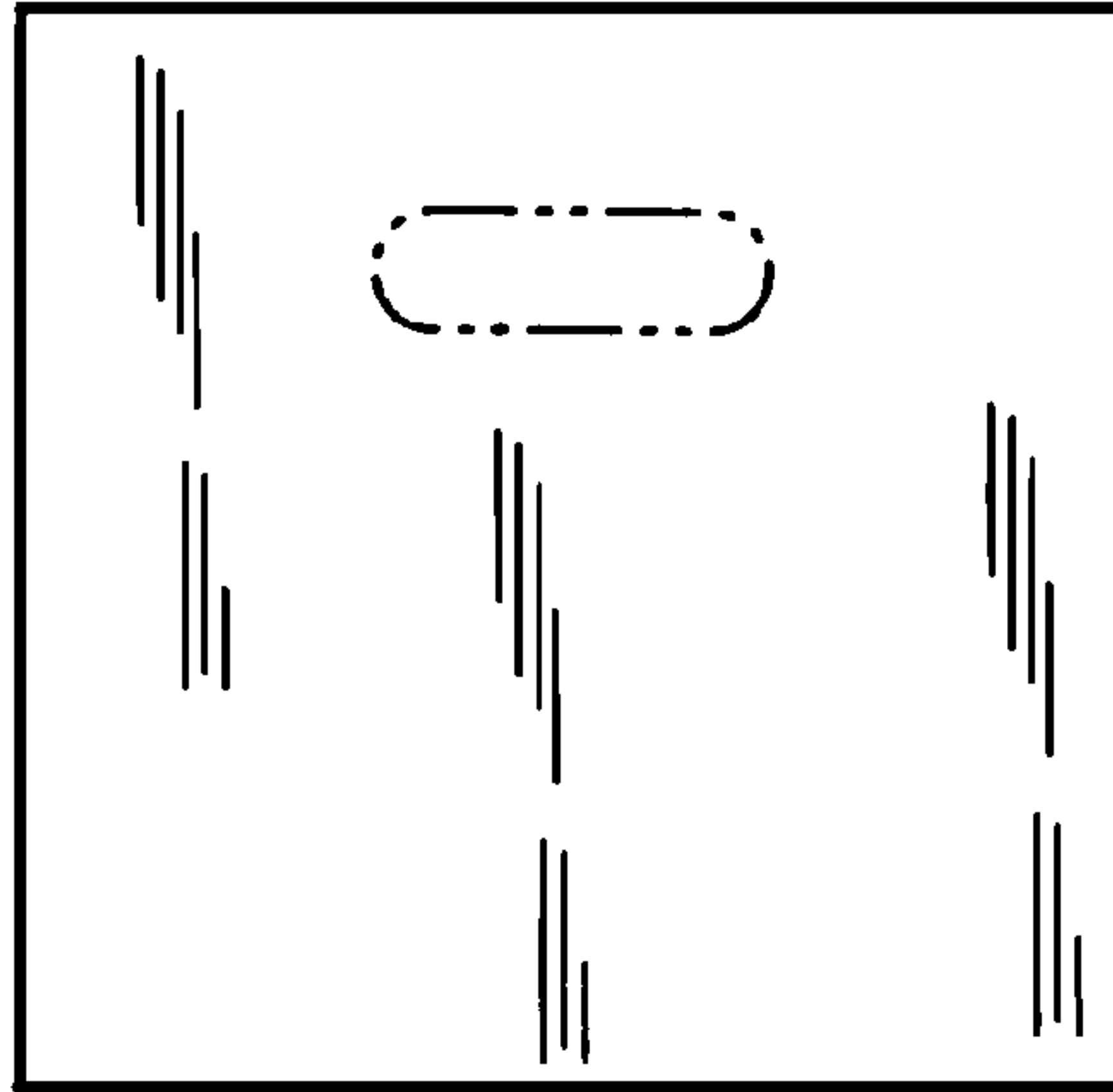


Fig. 9

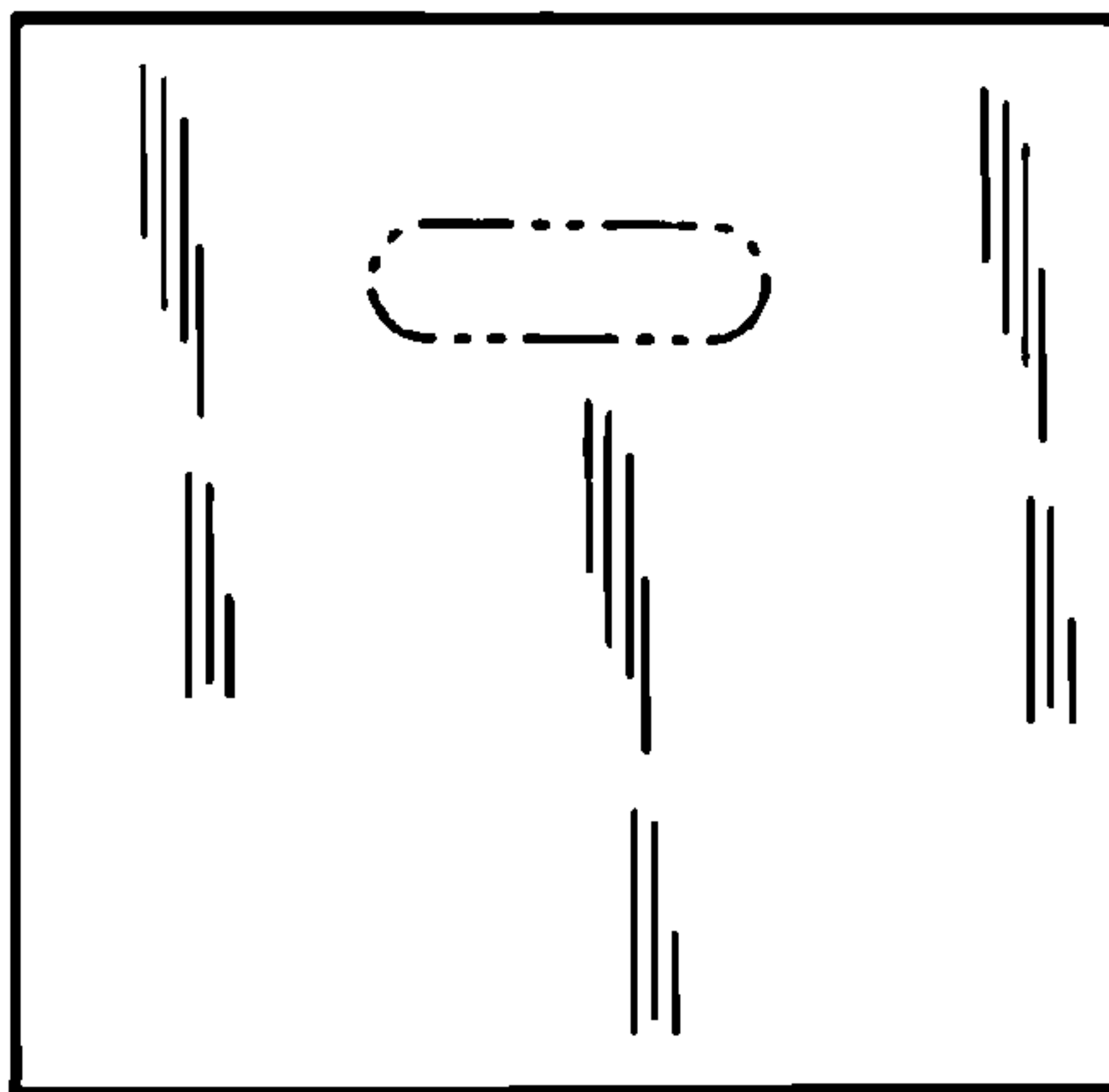


Fig. 10



Fig. 11

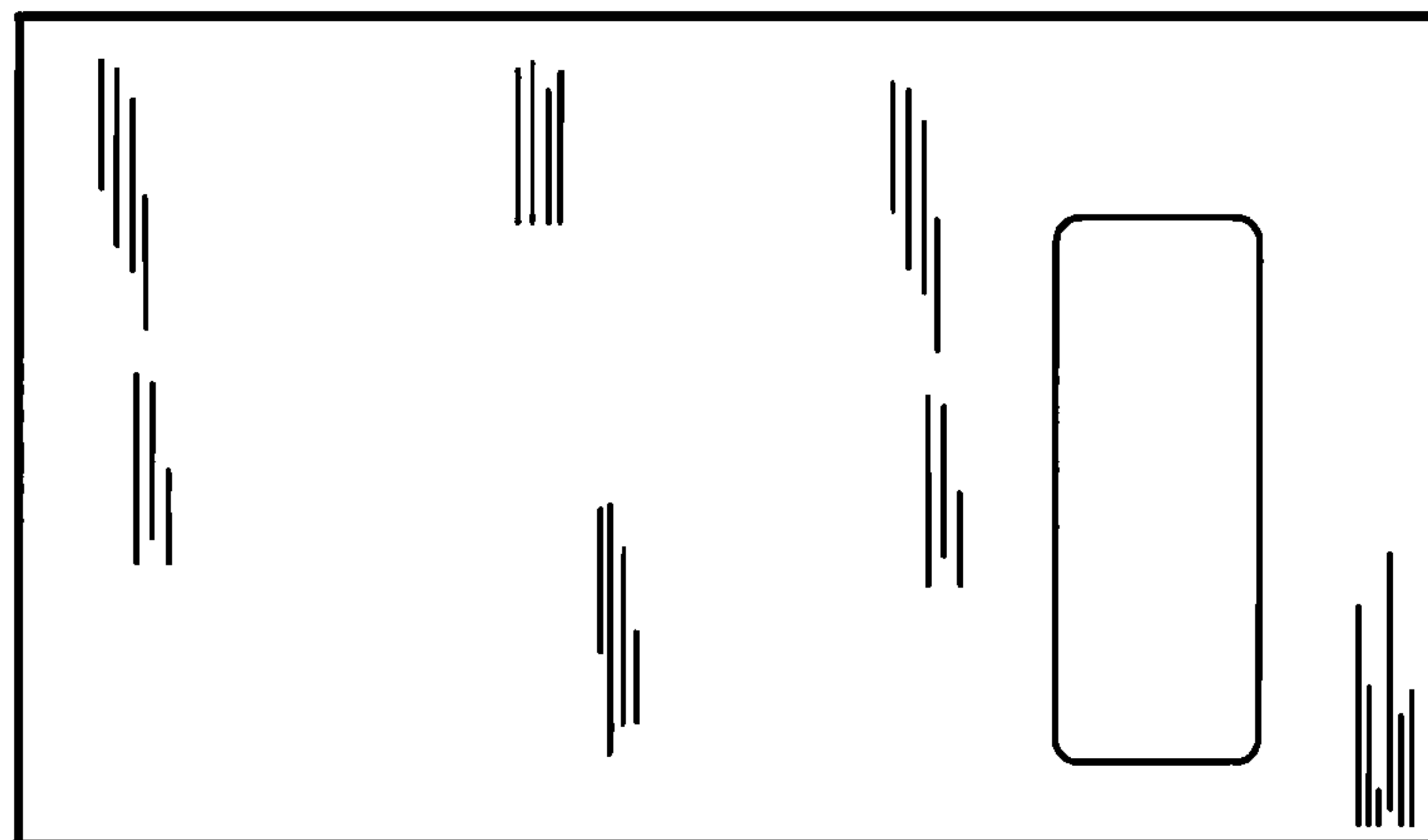


Fig. 12

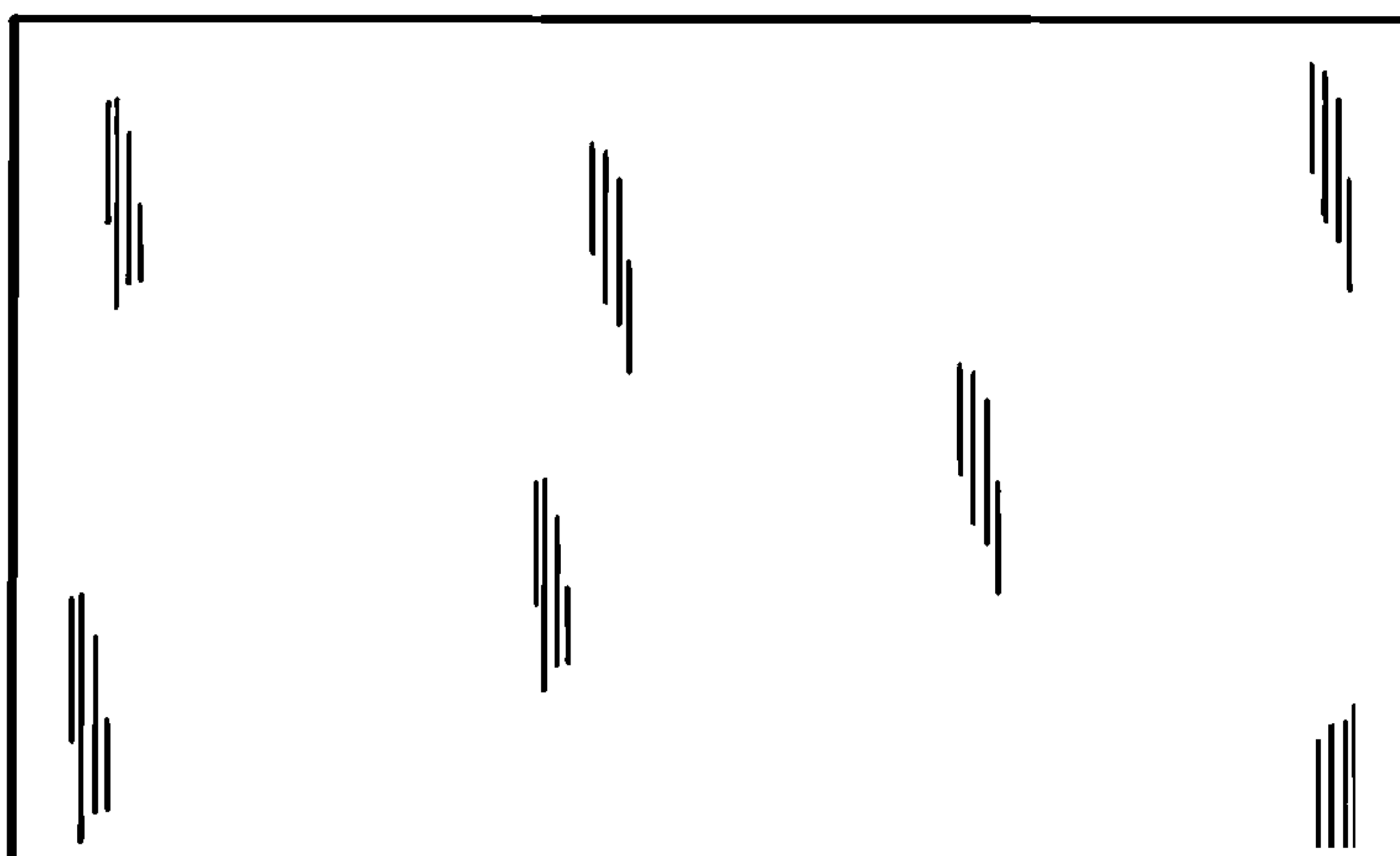


Fig. 13

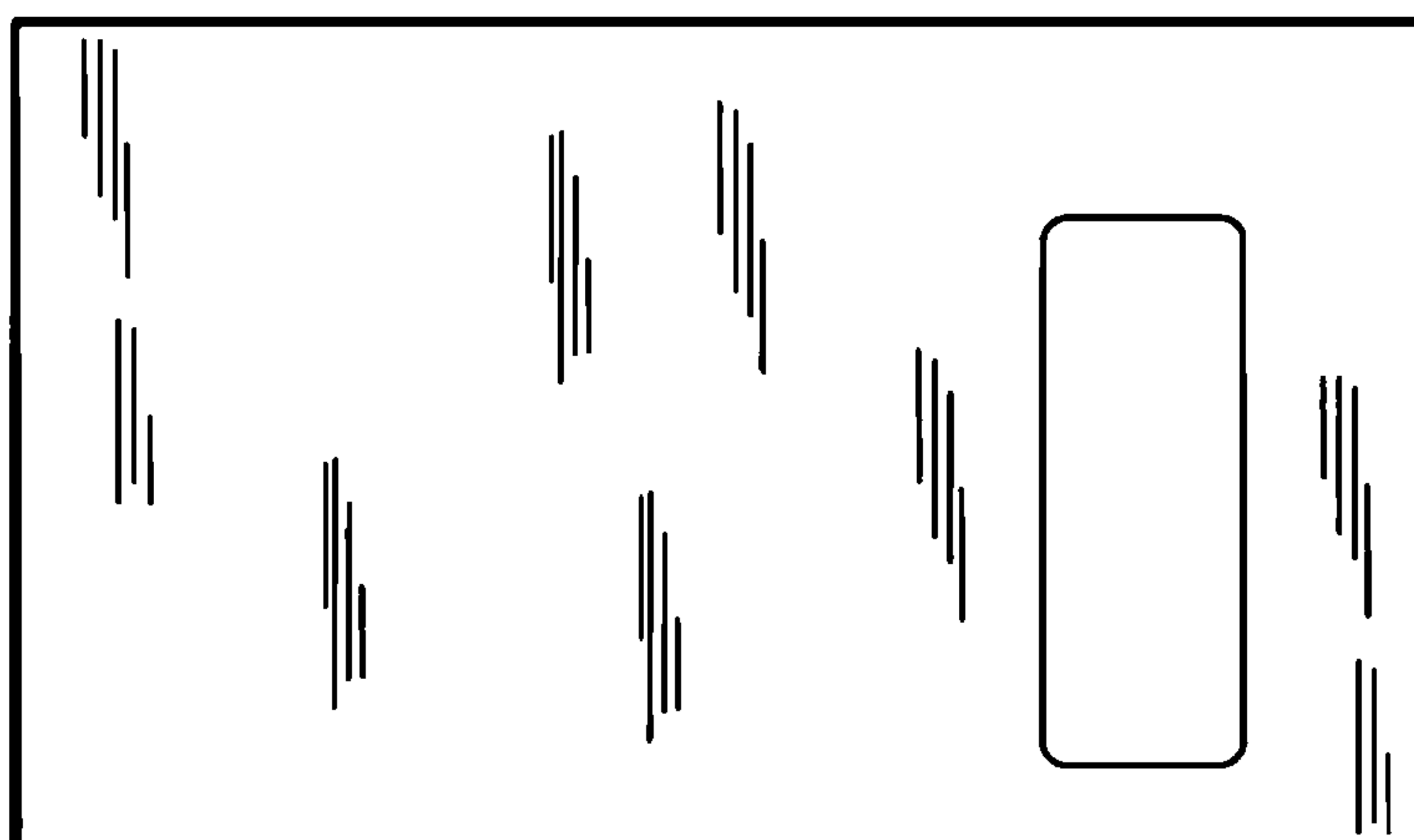


Fig. 14