



US00D740647S

(12) **United States Design Patent**  
**DeCosta**

(10) **Patent No.:** **US D740,647 S**

(45) **Date of Patent:** **\*\* Oct. 13, 2015**

(54) **BRACKET ASSEMBLY**

(71) Applicant: **Thomas J. DeCosta**, Westport, MA (US)

(72) Inventor: **Thomas J. DeCosta**, Westport, MA (US)

(\*\*) Term: **14 Years**

(21) Appl. No.: **29/463,308**

(22) Filed: **Oct. 8, 2013**

(51) **LOC (10) Cl.** ..... **08-05**

(52) **U.S. Cl.**  
USPC ..... **D8/373**; D16/242

(58) **Field of Classification Search**  
USPC ..... D8/349, 354–355, 373, 380, 382–383,  
D8/394, 396; D13/155, 102, 118, 154,  
D13/184, 199; D14/209, 204; D16/330,  
D16/242; D25/119, 123, 124, 125;  
D21/484, 500, 504

CPC ..... H02G 3/20; H01L 35/00; H01L 31/0522;  
H01L 35/08; H01L 31/052; H01L 31/042;  
H01L 31/05; H01L 27/1423; H01L 31/048;  
H01L 31/045; H01L 31/055; F24J 2/07;  
F24J 2/14; F24J 2/541; F24J 2/542; F24J  
2/38; Y02E 10/47; Y02E 10/45; Y02E 10/50;  
Y02E 10/60; Y02E 10/52; E04H 9/022;  
E04H 9/021; E02D 27/34; E04B 1/98; B64G  
1/443; B64G 1/222; B60G 2202/143  
See application file for complete search history.

(56) **References Cited**

**U.S. PATENT DOCUMENTS**

D283,031 S \* 3/1986 Sadre-Marandi et al. ... D16/242  
D308,389 S \* 6/1990 Horn et al. .... D16/242  
D513,167 S \* 12/2005 Groff et al. .... D8/354  
6,986,491 B2 \* 1/2006 Anderson ..... 248/317

D600,676 S \* 9/2009 Maurer et al. .... D14/209  
D725,999 S \* 4/2015 Wu ..... D8/373  
2005/0224281 A1 \* 10/2005 Gordon ..... 181/153  
2005/0247653 A1 \* 11/2005 Brooks ..... 211/94.01  
2006/0016948 A1 \* 1/2006 Herth ..... 248/318  
2006/0278632 A1 \* 12/2006 Tai ..... 220/3.2  
2007/0007286 A1 \* 1/2007 Seib et al. .... 220/3.3  
2008/0054148 A1 \* 3/2008 Scott ..... 248/344  
2009/0025414 A1 \* 1/2009 Koga et al. .... 62/263  
2010/0226784 A1 \* 9/2010 Yao ..... 416/244 R  
2012/0292458 A1 \* 11/2012 Cheng ..... 248/27.3  
2014/0301092 A1 \* 10/2014 Wronski et al. .... 362/418

\* cited by examiner

*Primary Examiner* — Karen E Kearney  
*Assistant Examiner* — Nathaniel D Buckner

(57) **CLAIM**

The ornamental design for a bracket assembly, as shown and described.

**DESCRIPTION**

FIG. 1 is a top perspective view of the bracket assembly showing my new design in the context of environmental structure;

FIG. 2 is a top perspective view thereof shown without environmental structure;

FIG. 3 is a top plan view thereof;

FIG. 4 is a bottom plan view thereof;

FIG. 5 is a front elevation view thereof;

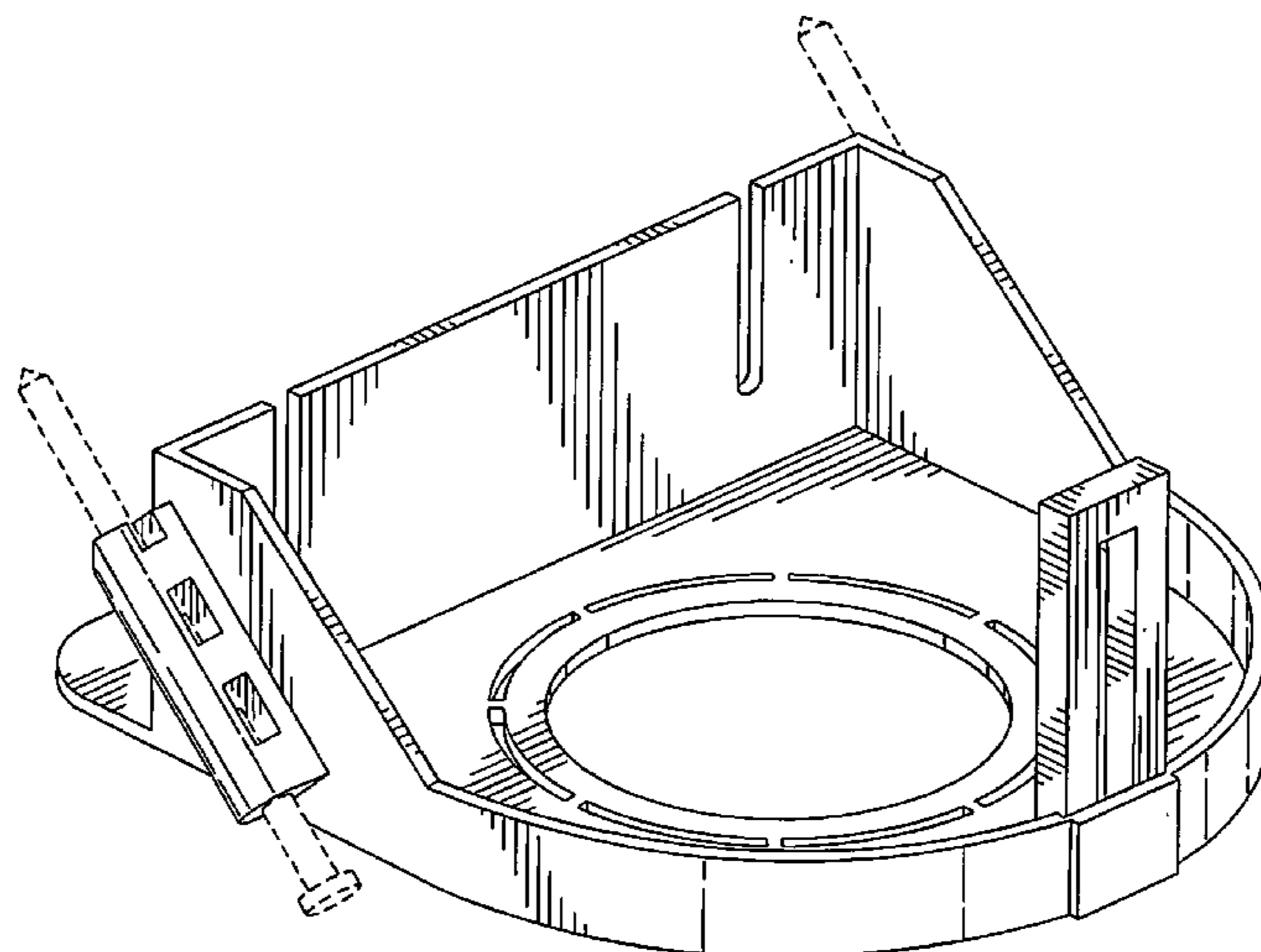
FIG. 6 is a rear elevation view thereof;

FIG. 7 is a left side elevation view thereof; and,

FIG. 8 is a right side elevation view thereof.

The broken lines in the drawings are included for the purpose of illustrating environmental structure and form no part of the claimed design.

**1 Claim, 6 Drawing Sheets**



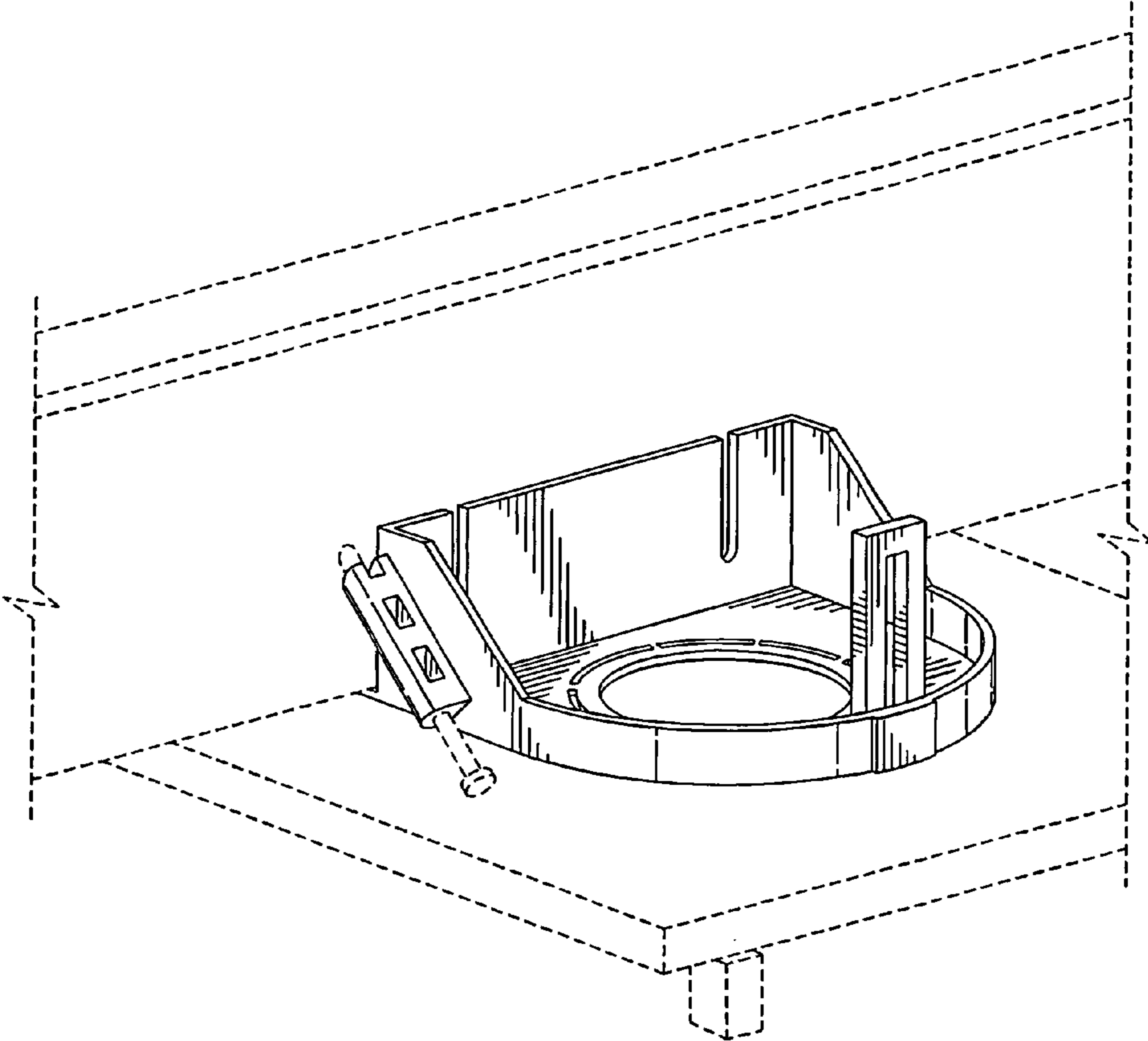


FIG. 1

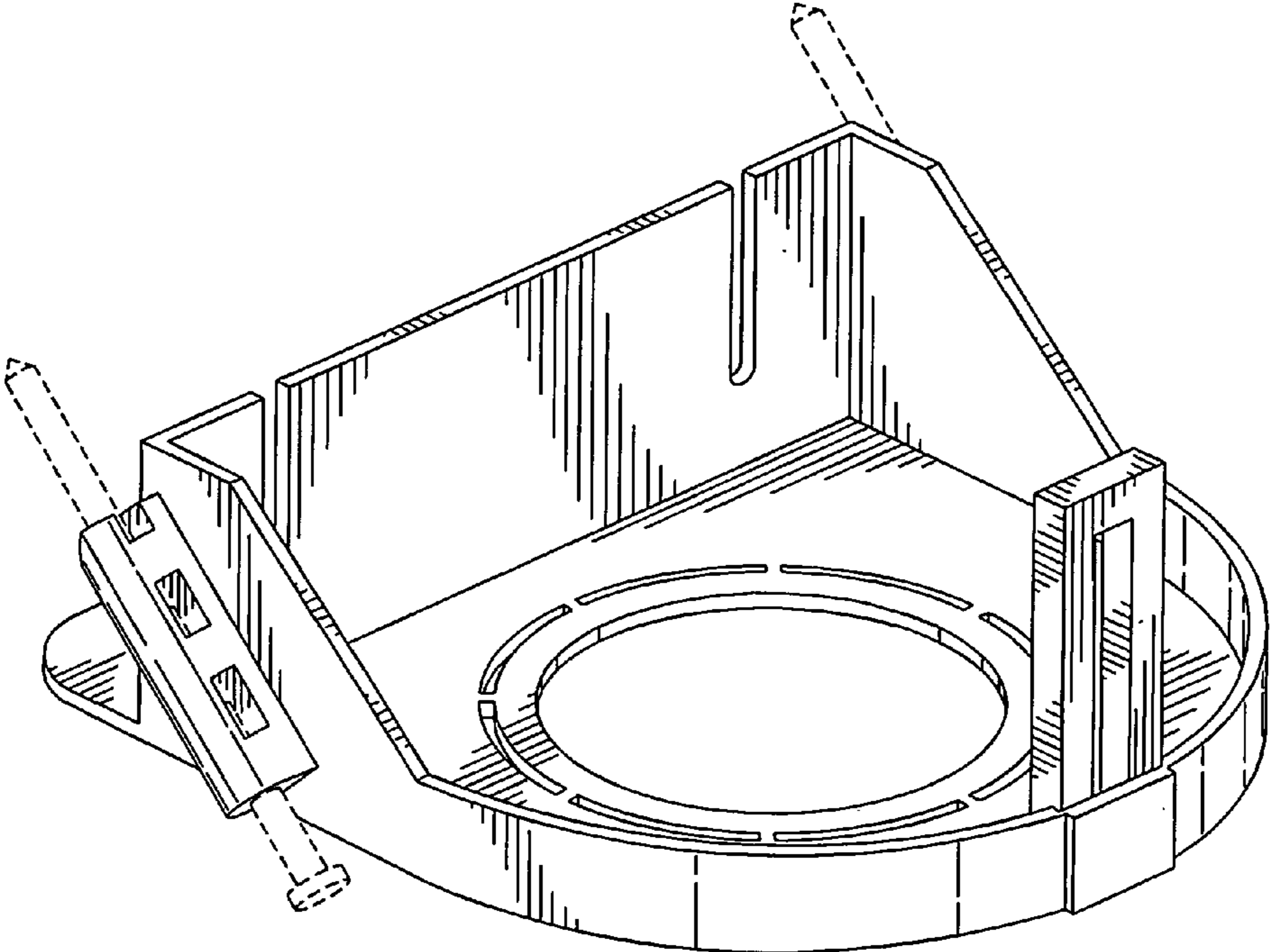


FIG. 2

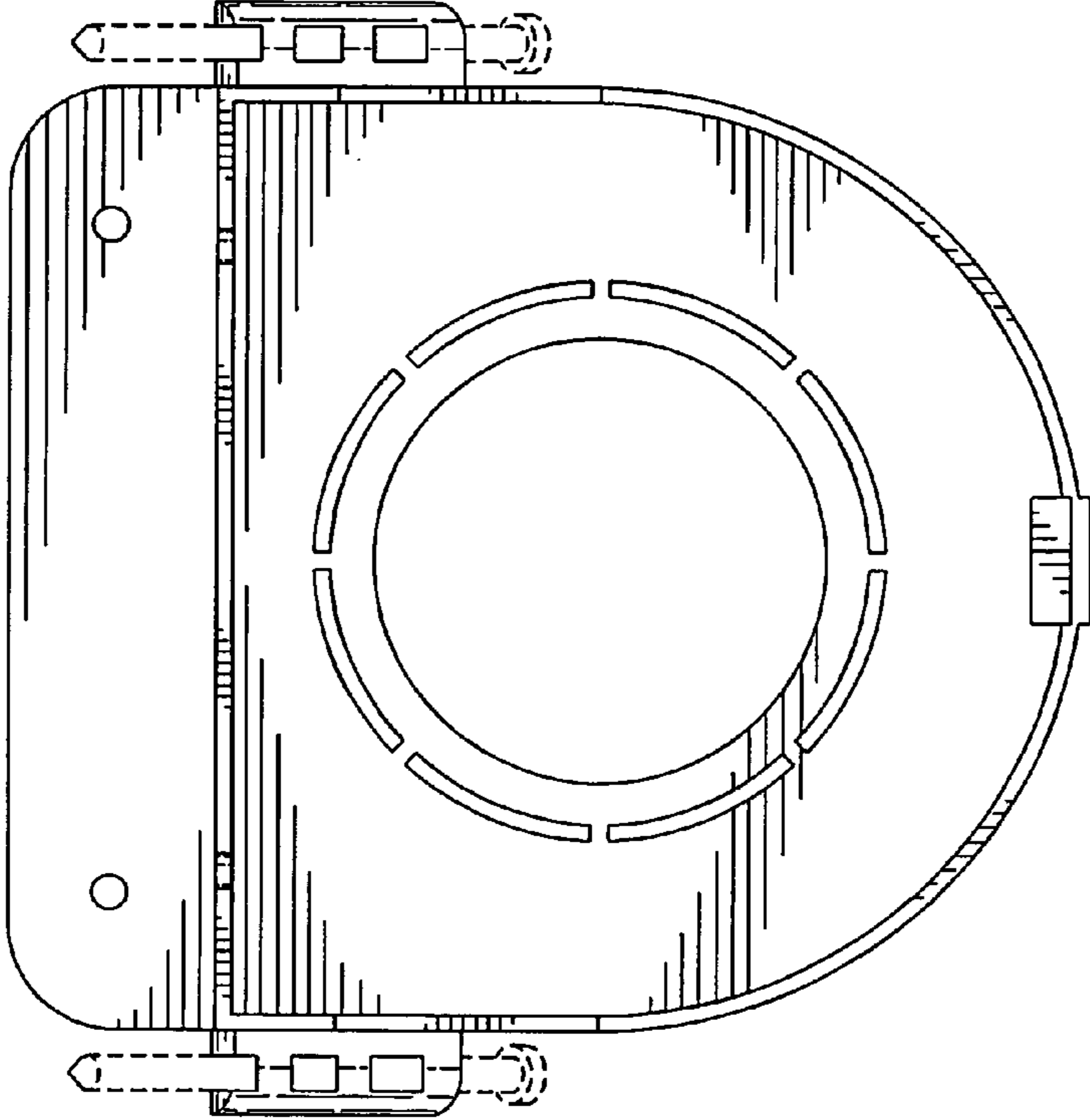


FIG. 3

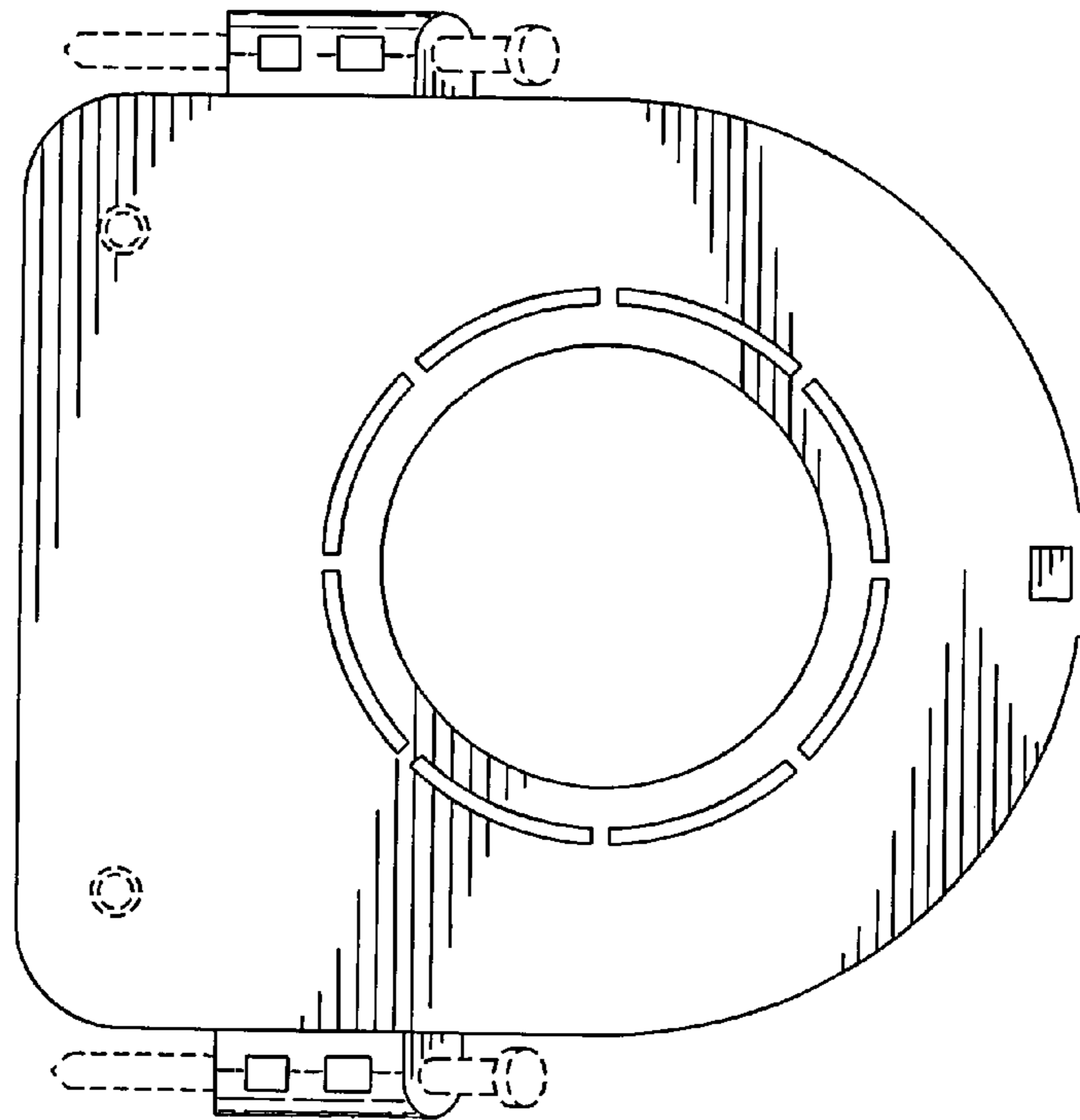


FIG. 4

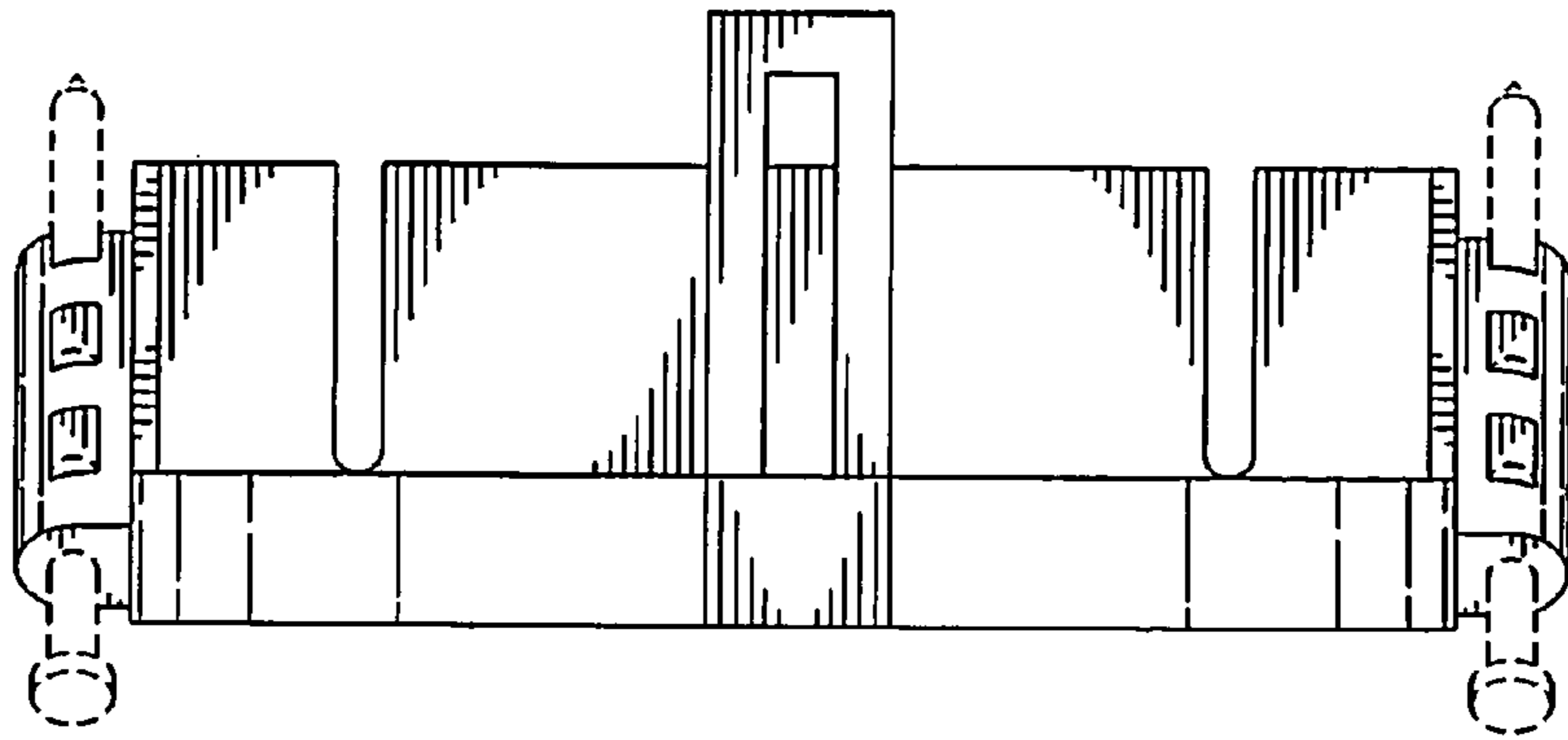


FIG. 5

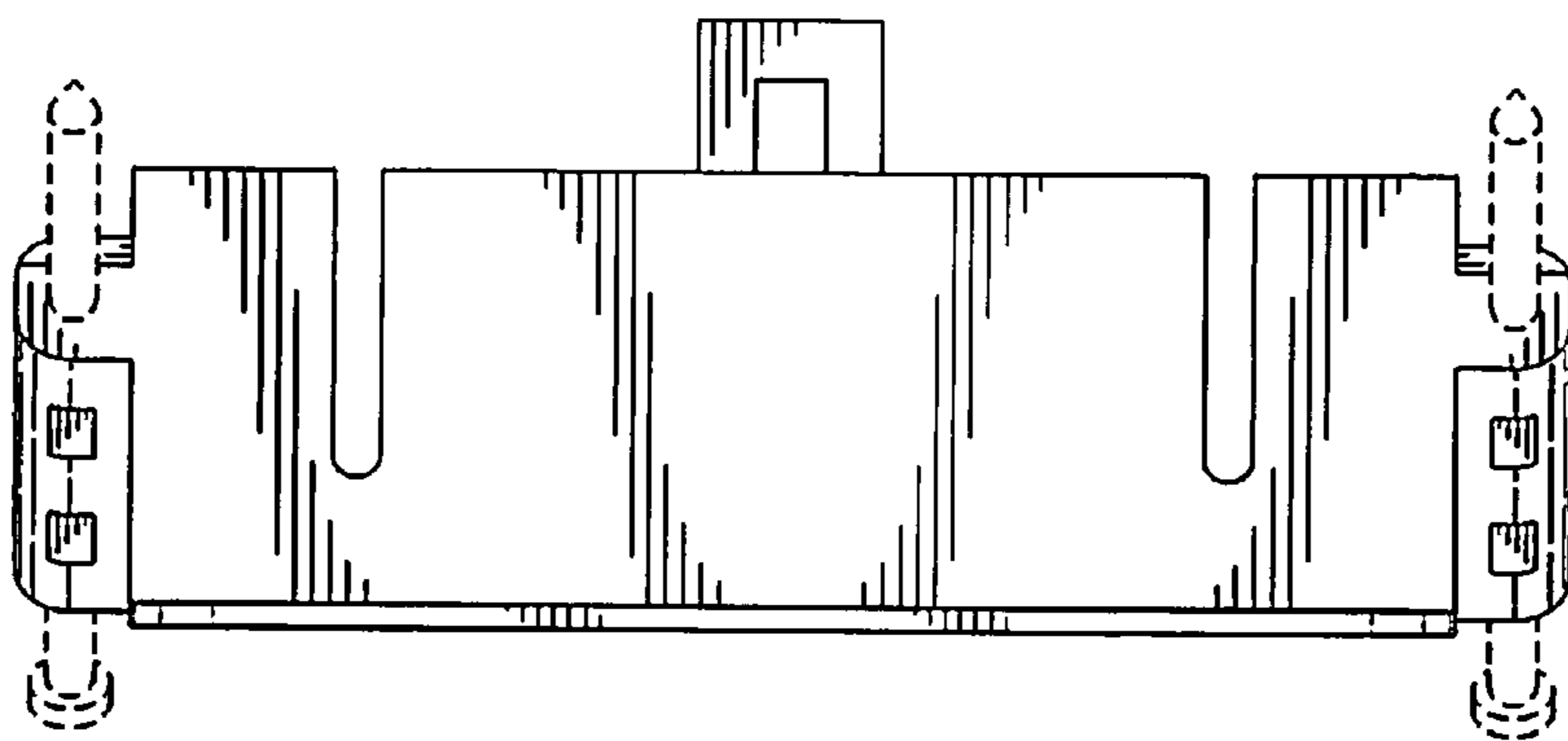


FIG. 6

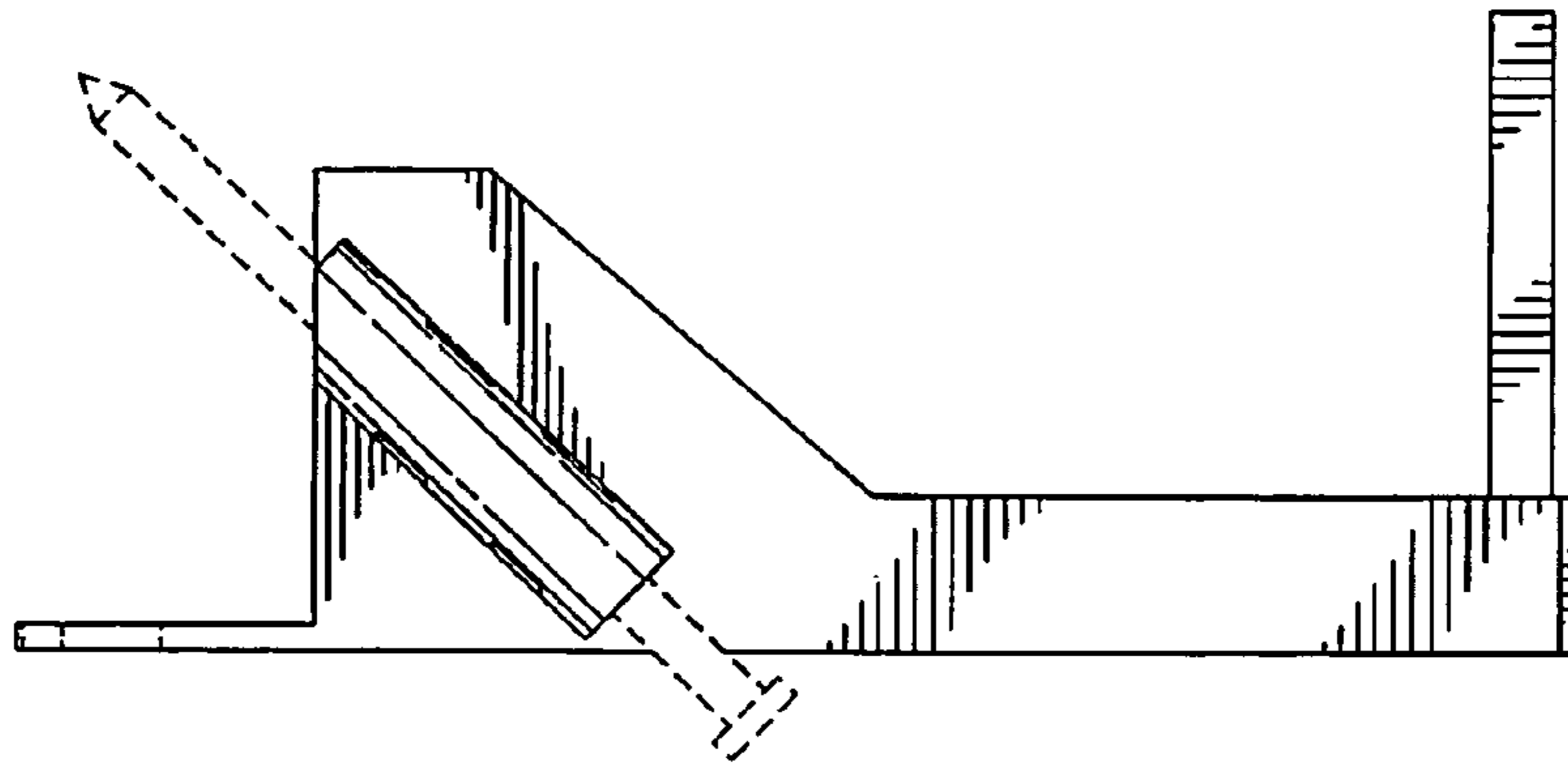


FIG. 7

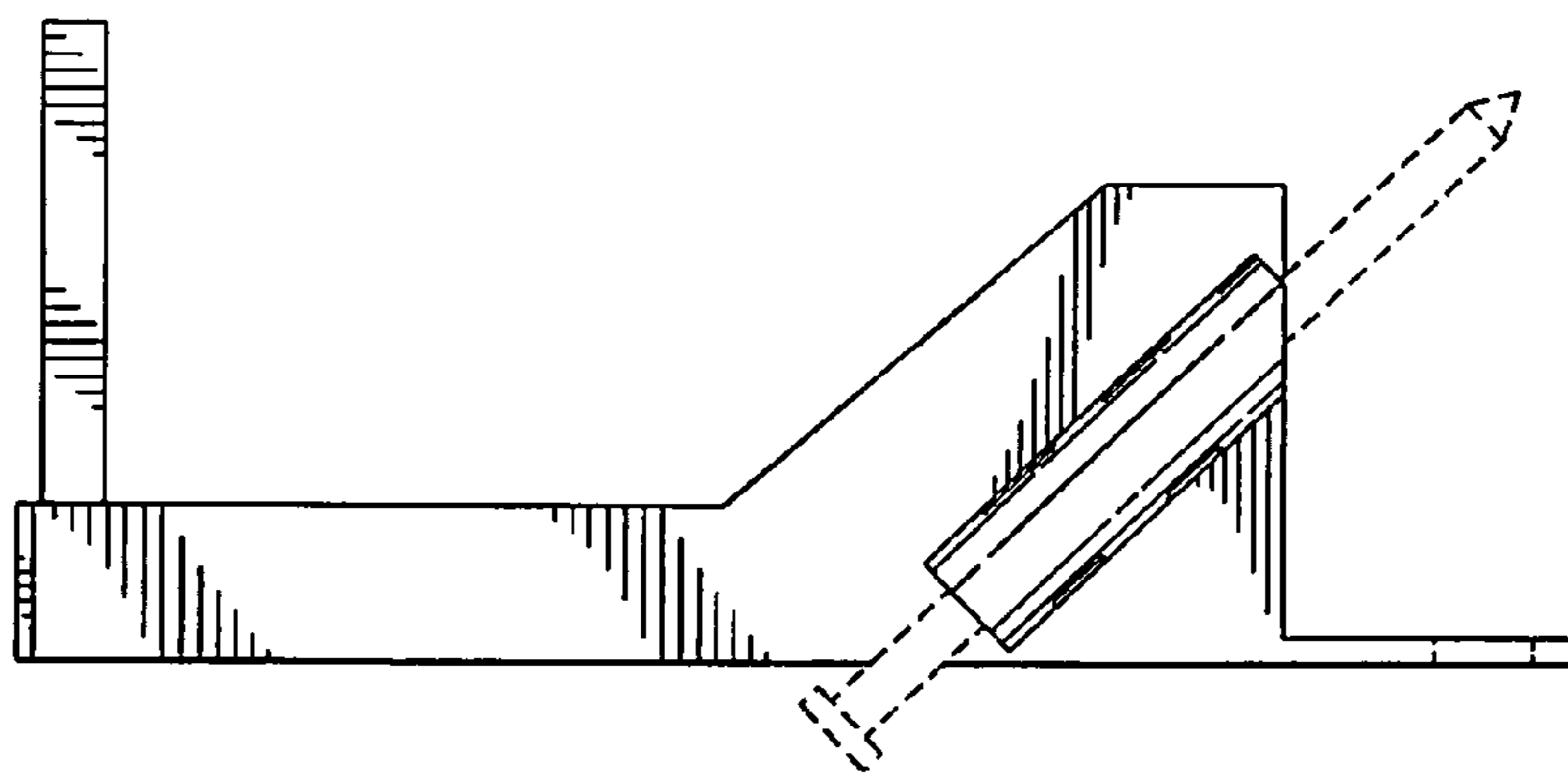


FIG. 8