



US00D740646S

(12) **United States Design Patent**
Sargent

(10) **Patent No.:** **US D740,646 S**

(45) **Date of Patent:** **** Oct. 13, 2015**

(54) **POST REMOVAL DEVICE**

(71) Applicant: **Chester Sargent**, Prairie Grove, AR
(US)

(72) Inventor: **Chester Sargent**, Prairie Grove, AR
(US)

(**) Term: **14 Years**

(21) Appl. No.: **29/495,537**

(22) Filed: **Jul. 1, 2014**

(51) **LOC (10) Cl.** **08-05**

(52) **U.S. Cl.**
USPC **D8/367**

(58) **Field of Classification Search**
USPC D8/367, 354, 349; D6/323; 248/301
CPC F16B 2/00; A63B 27/00
See application file for complete search history.

(56) **References Cited**

U.S. PATENT DOCUMENTS

D298,794 S	*	12/1988	Allen	D8/19
D431,431 S	*	10/2000	Allen et al.	D8/14
D451,779 S	*	12/2001	du Sartel	D8/107
D504,290 S	*	4/2005	Lockhart	D8/38

D612,895 S	*	3/2010	Stein	D21/573
D636,835 S	*	4/2011	Fitzpatrick et al.	D22/108
D669,150 S	*	10/2012	Mayberry et al.	D22/108
D698,405 S	*	1/2014	Kline	D22/108
D703,500 S	*	4/2014	McFadden	D8/14
D721,571 S	*	1/2015	Roberts et al.	D8/367

* cited by examiner

Primary Examiner — Cynthia Underwood

(74) *Attorney, Agent, or Firm* — Mark Murphey Henry

(57) **CLAIM**

I claim the ornamental design for a post removal device, as shown and described.

DESCRIPTION

FIG. 1 is a perspective view of the post removal device, shown reduced in scale;

FIG. 2 is a perspective view of the post removal device;

FIG. 3 is a front view of the post removal device;

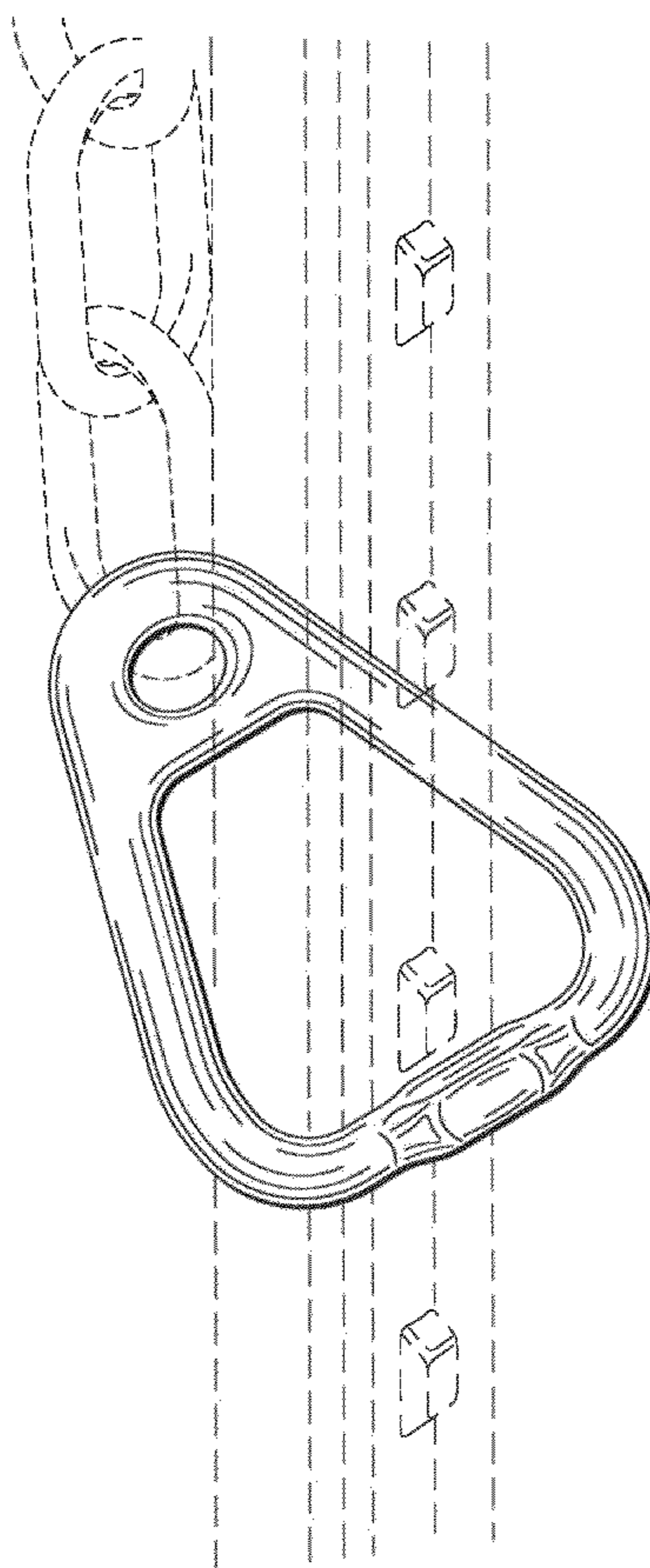
FIG. 4 is a bottom view of the post removal device;

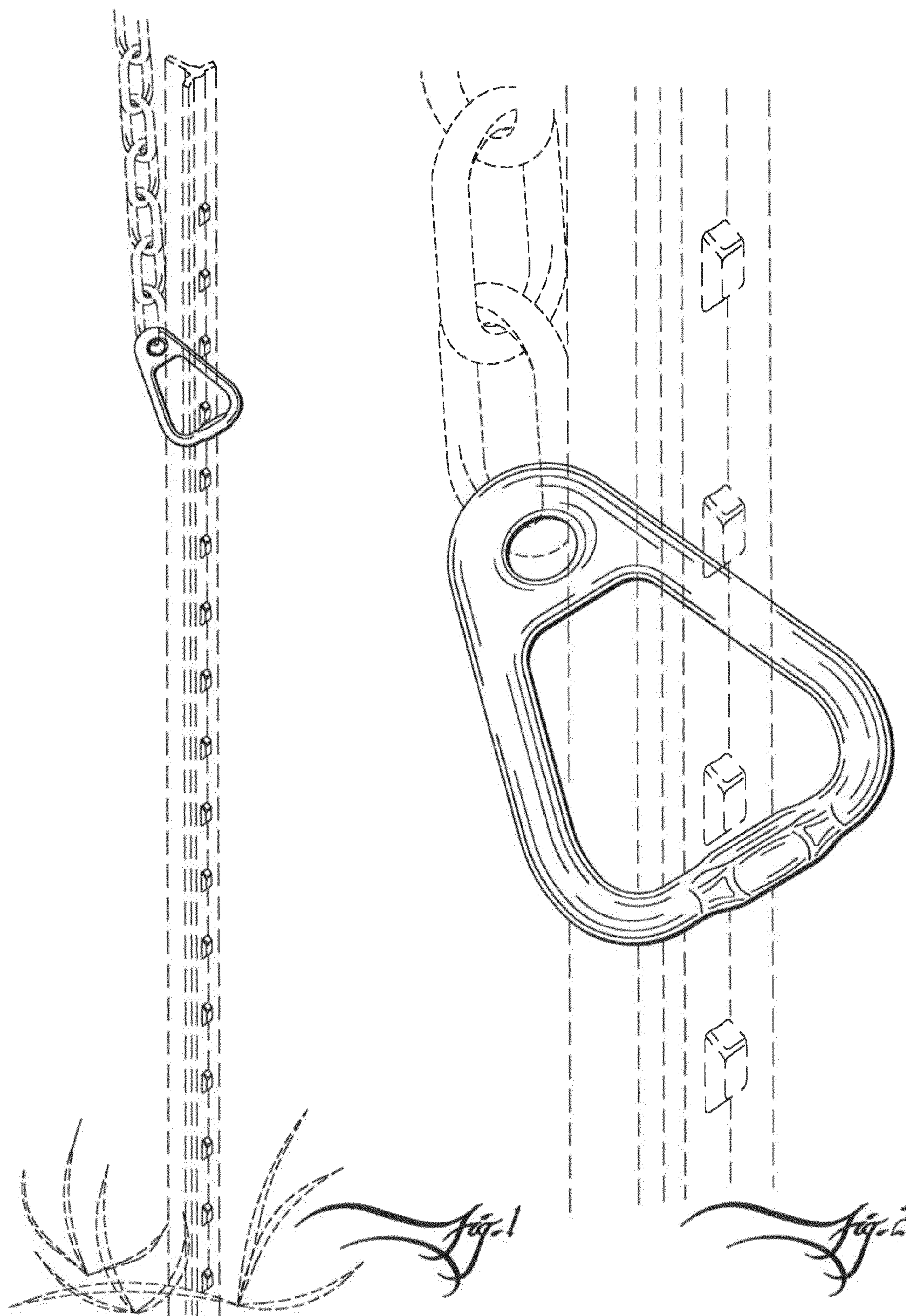
FIG. 5 is a top view of the post removal device; and,

FIG. 6 is a side perspective of the post removal device.

The broken lines in the drawings depict environmental subject matter/or parts of the post removal device only and form no part of the claimed design.

1 Claim, 3 Drawing Sheets





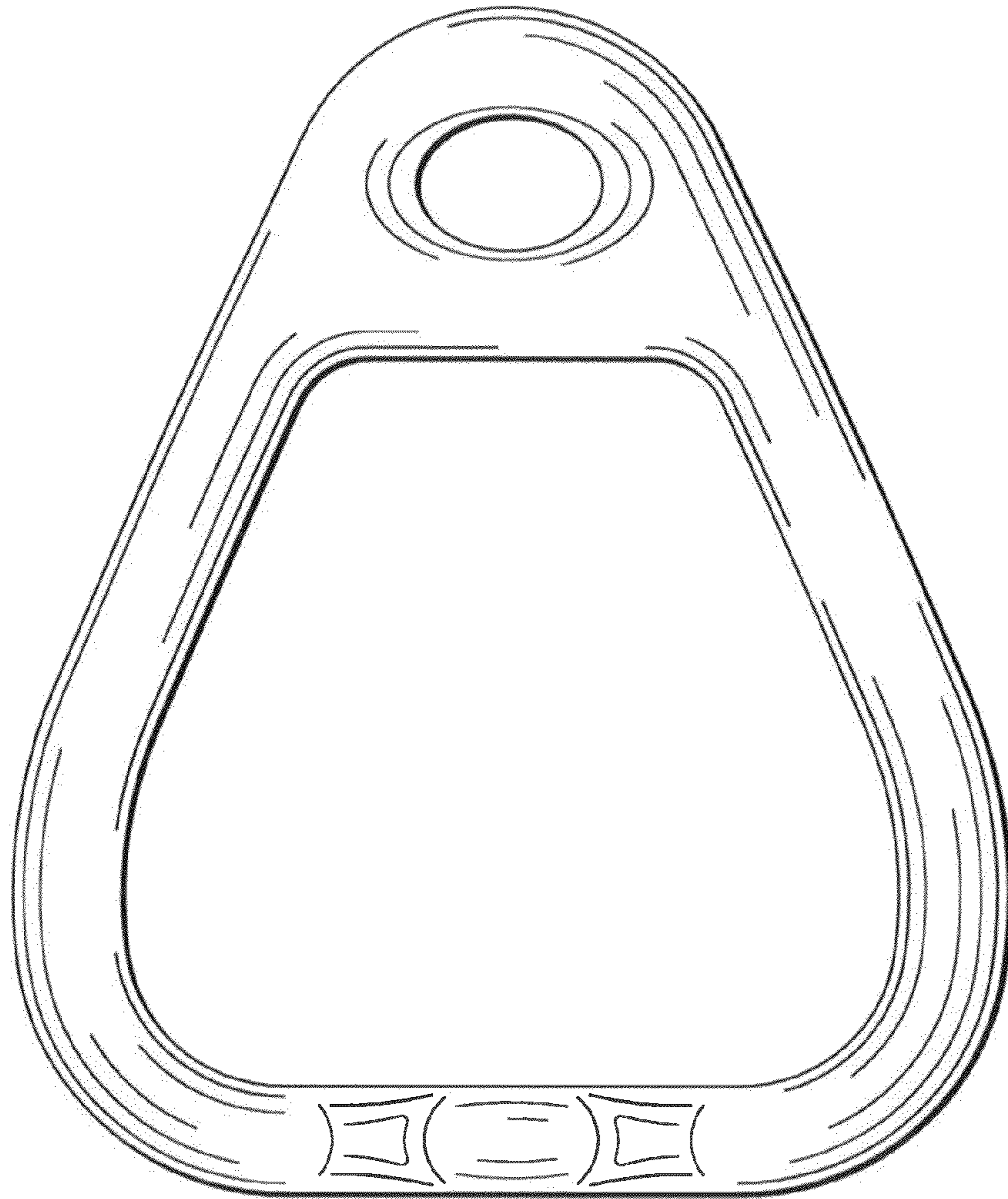


Fig. 3



Fig. 4



Fig. 5

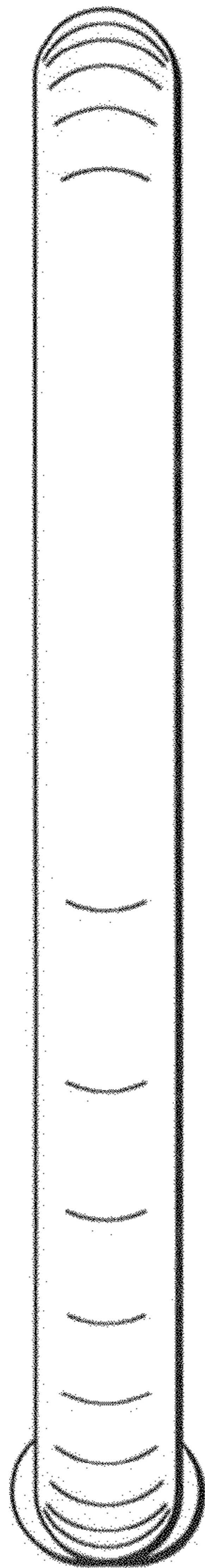


Fig. 6