



US00D740644S

(12) **United States Design Patent**  
**Brown**

(10) **Patent No.:** **US D740,644 S**

(45) **Date of Patent:** **\*\* Oct. 13, 2015**

(54) **WIRE SPOOL GUIDE**

(71) Applicant: **Walter Edward Brown**, Lake Elsinore,  
CA (US)

(72) Inventor: **Walter Edward Brown**, Lake Elsinore,  
CA (US)

(\*\*) Term: **14 Years**

(21) Appl. No.: **29/493,116**

(22) Filed: **Jun. 5, 2014**

(51) **LOC (10) Cl.** ..... **08-05**

(52) **U.S. Cl.**  
USPC ..... **D8/358**

(58) **Field of Classification Search**  
USPC ..... D8/44, 358, 60, 314, 499, 382, 360,  
D8/359, 349, 380; D6/515; D12/96, 106,  
D12/400, 223, 217  
CPC ..... B66D 3/006; B66D 3/18; B66D 3/26;  
B66D 3/02; B66D 3/14; B63B 21/18; B63B  
21/26; B65B 57/005; A61G 7/1051; A61G  
7/1061; B65H 16/02; B65H 2301/4131;  
B65H 75/4471; B66B 11/08  
See application file for complete search history.

(56) **References Cited**

**U.S. PATENT DOCUMENTS**

D20,530 S *	2/1891	Meeker	.....	D8/358
D32,337 S *	3/1900	Cleff	.....	D8/358
D34,834 S *	7/1901	Plopper	.....	D8/499
3,381,943 A	5/1968	Miller		
3,476,068 A	11/1969	Preston		
3,625,443 A	12/1971	Knowles		
D228,870 S *	10/1973	Allen	.....	D8/44
3,940,089 A	2/1976	Lindquist		
4,179,083 A	12/1979	Hara et al.		
4,301,975 A	11/1981	Camardella		
D265,171 S *	6/1982	Zukaitis	.....	D8/44
4,469,290 A	9/1984	Frentzel-Beyme		

5,048,436 A	9/1991	Thiele		
5,516,059 A	5/1996	Gudgeon et al.		
6,082,278 A	7/2000	Asao et al.		
D447,405 S *	9/2001	Diener	.....	D8/358
D459,195 S *	6/2002	Moutrey	.....	D8/358
6,592,066 B1	7/2003	Hermanns et al.		
7,124,980 B2	10/2006	Giovannoni		
7,219,611 B1	5/2007	Troncoso et al.		
D581,238 S	11/2008	Patti		
D584,471 S	1/2009	Diedericks		
D679,973 S *	4/2013	Burris	.....	D8/44
2005/0115480 A1	6/2005	Kronenberger		
2005/0279265 A1	12/2005	Chien		
2006/0138271 A1	6/2006	Yamazaki et al.		

\* cited by examiner

*Primary Examiner* — Robert M Spear

*Assistant Examiner* — Eliza Bennett-Hattan

(74) *Attorney, Agent, or Firm* — Kirk A. Buhler

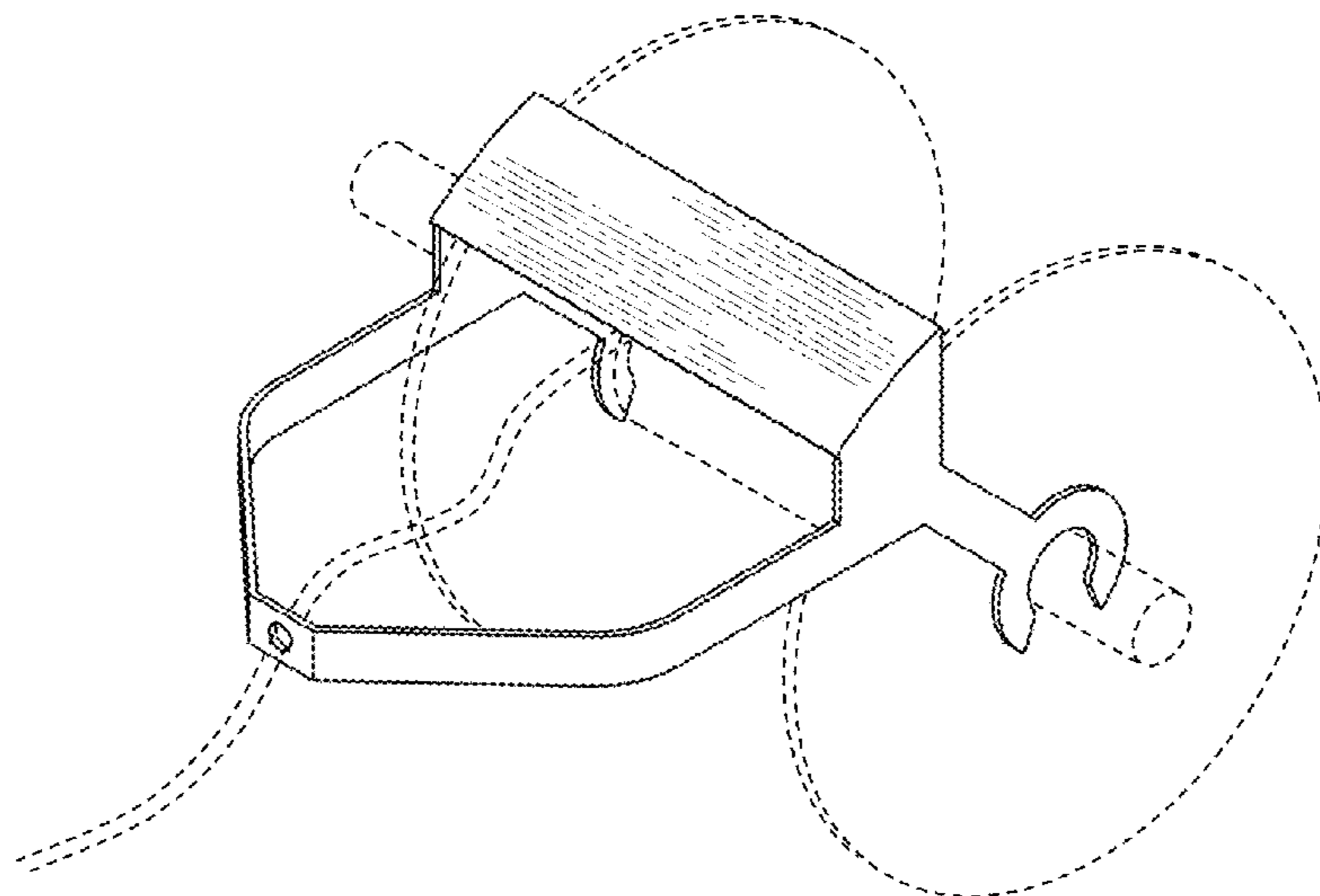
(57) **CLAIM**

The ornamental design for a wire spool guide, as shown and described.

**DESCRIPTION**

FIG. 1 is a top perspective view for a wire spool guide showing my new design;  
FIG. 2 is a front side view thereof;  
FIG. 3 is a back side view thereof;  
FIG. 4 is a top side view thereof;  
FIG. 5 is a bottom side view thereof;  
FIG. 6 is a left side view, the right side view being a mirror image thereof;  
FIG. 7 is a left sectional view taken along lines 7-7 from FIG. 4 thereof; and,  
FIG. 8 is a top perspective view shown in an environment of use.  
The broken lines in FIG. 8 depict environmental subject matter and form no part of the claimed design.

**1 Claim, 5 Drawing Sheets**



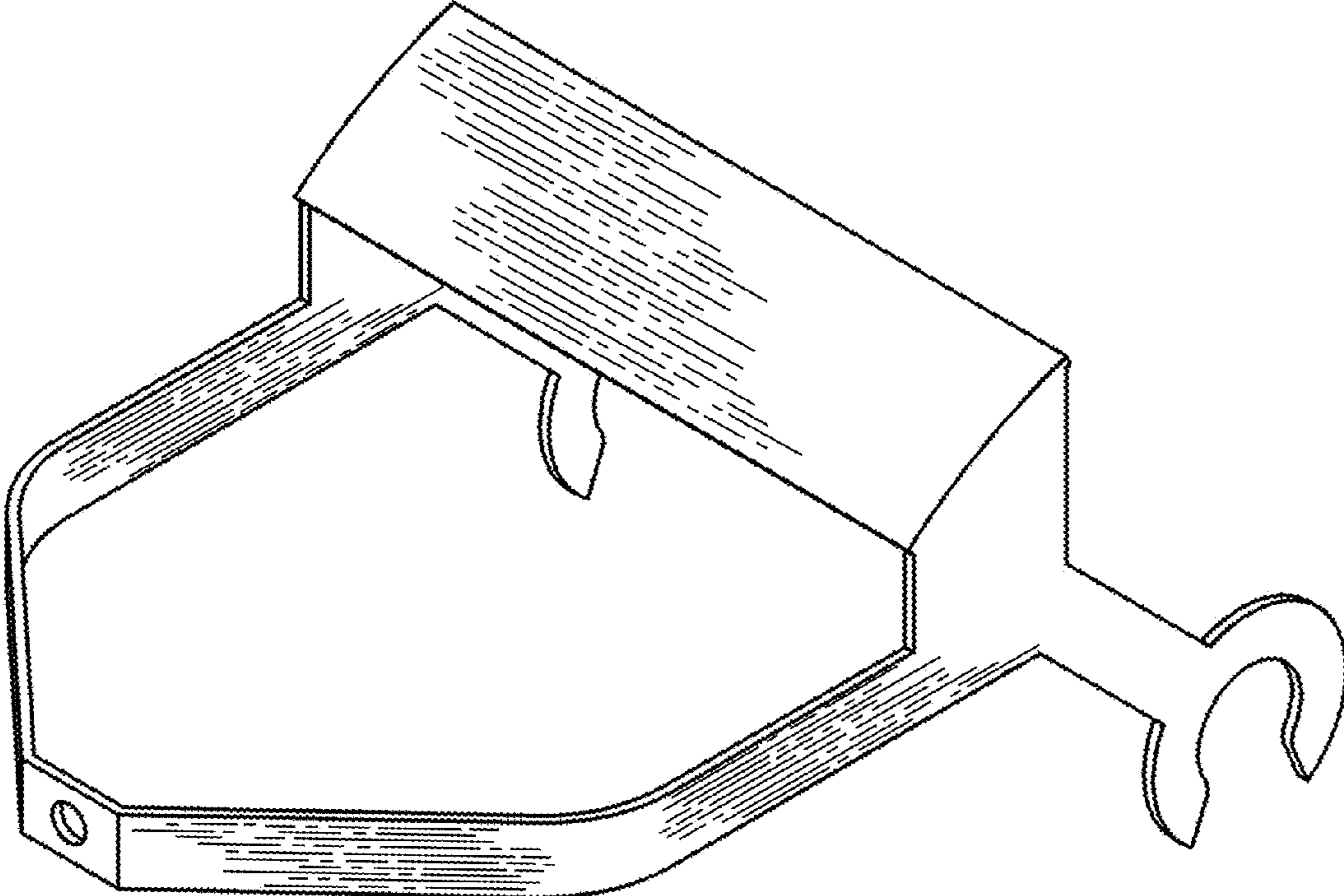
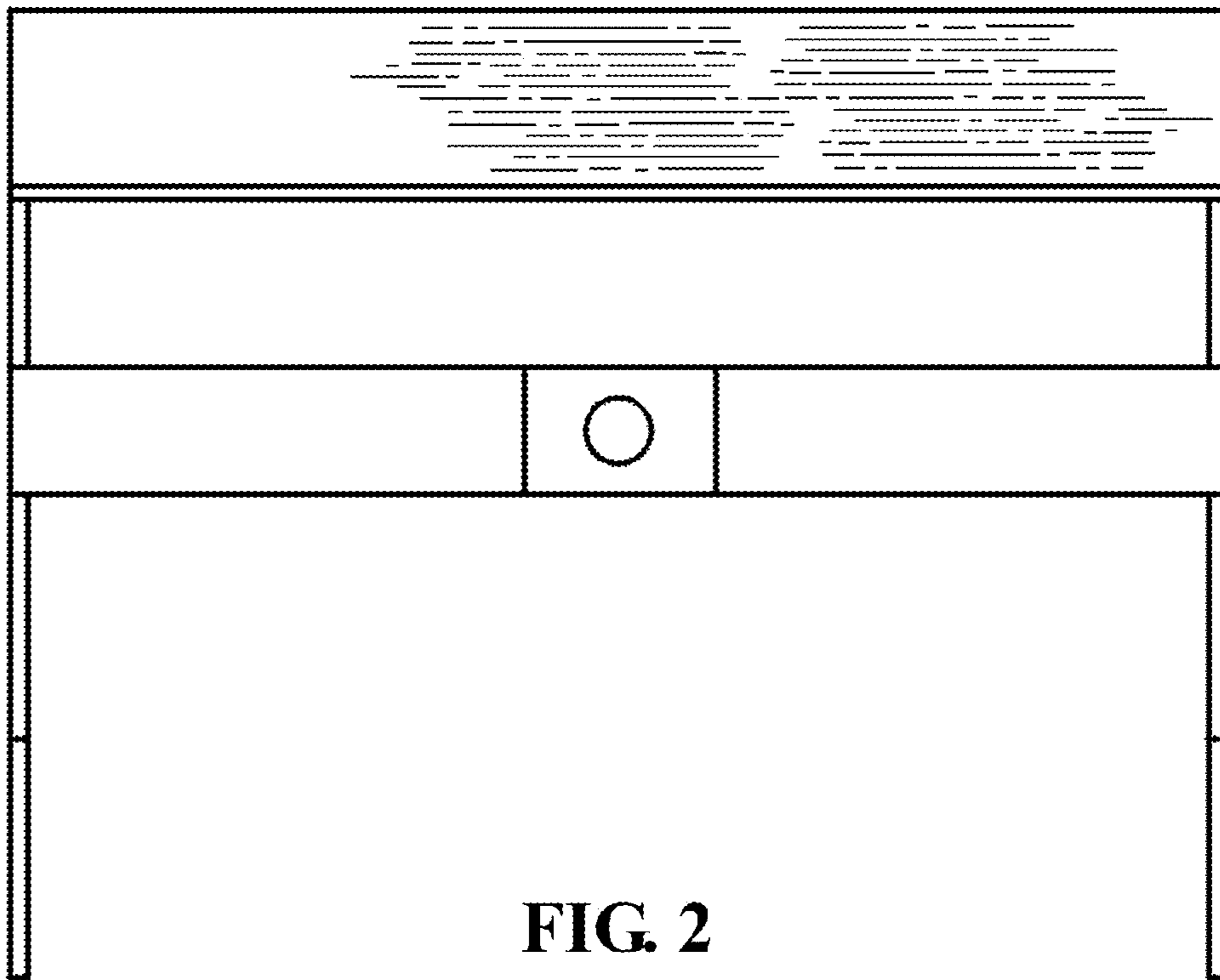
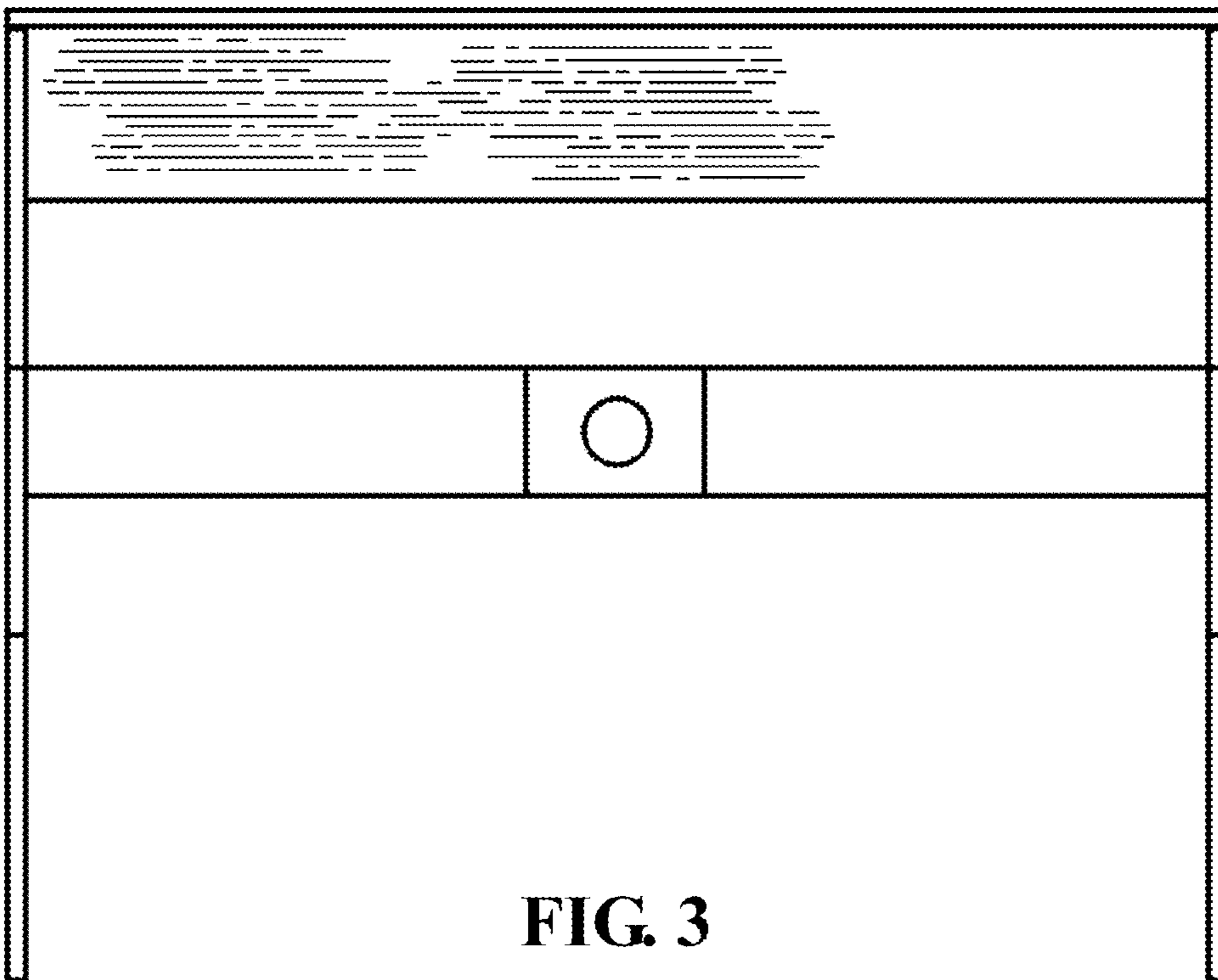


FIG. 1



**FIG. 2**



**FIG. 3**

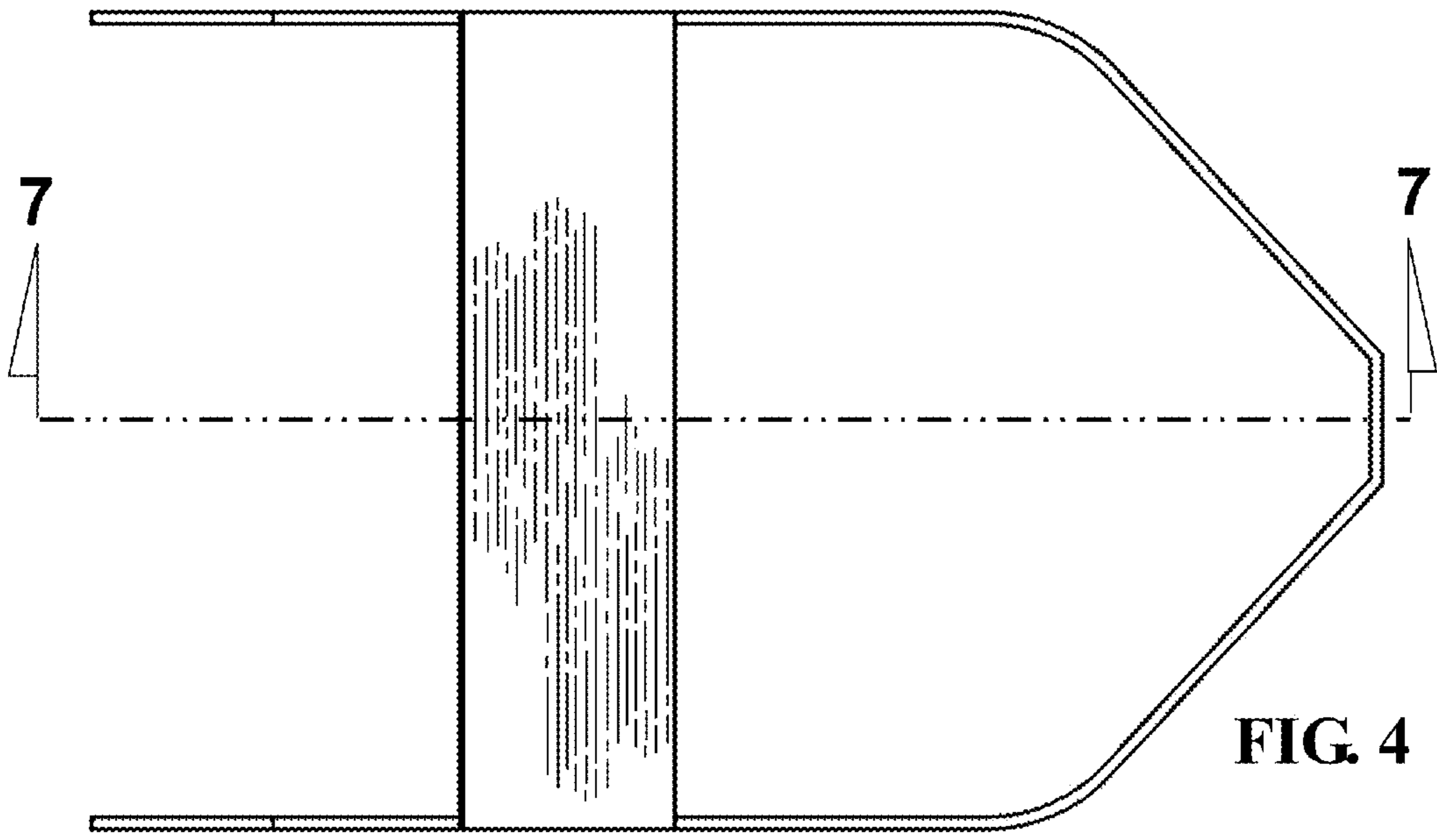


FIG. 4

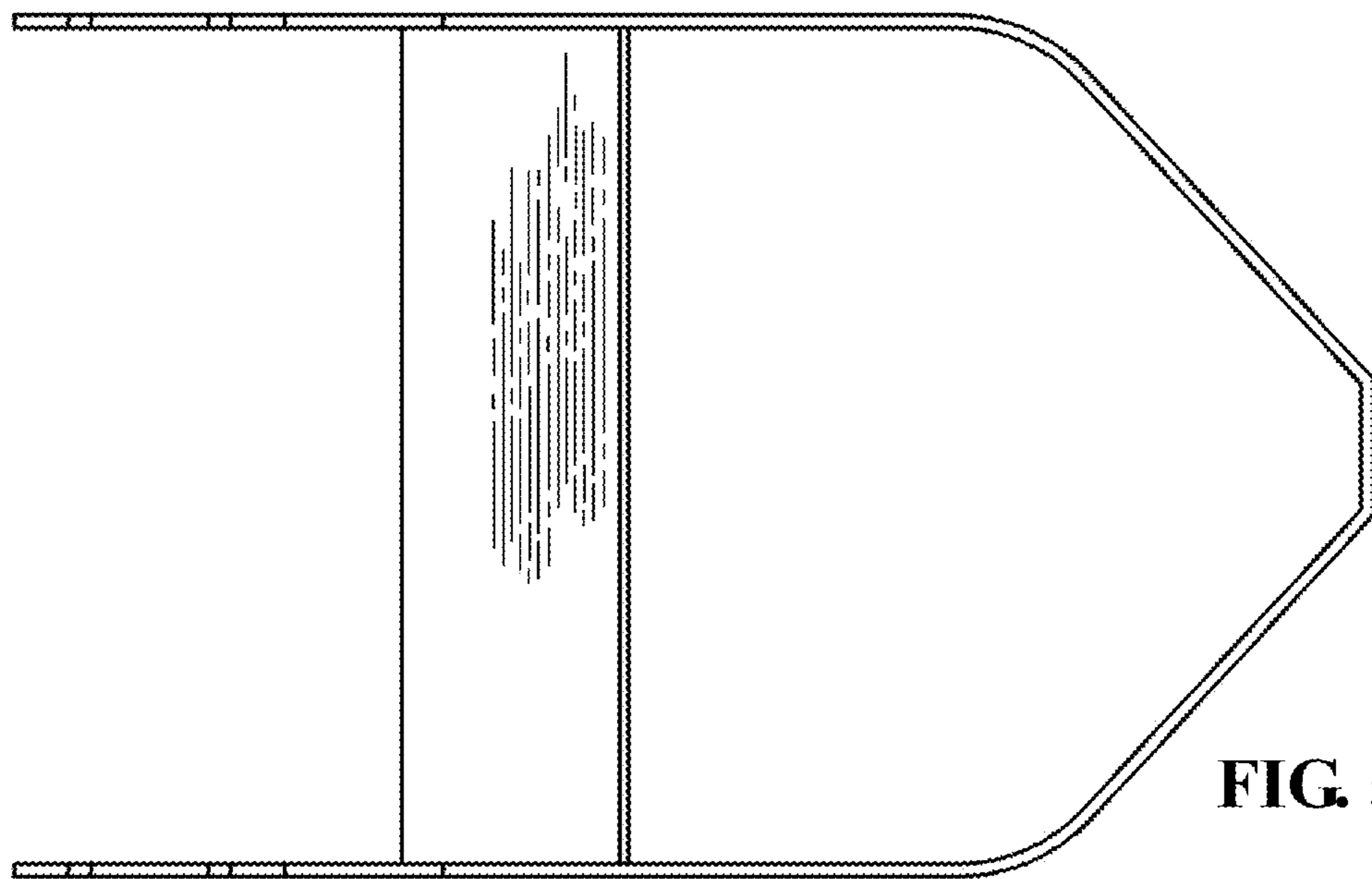
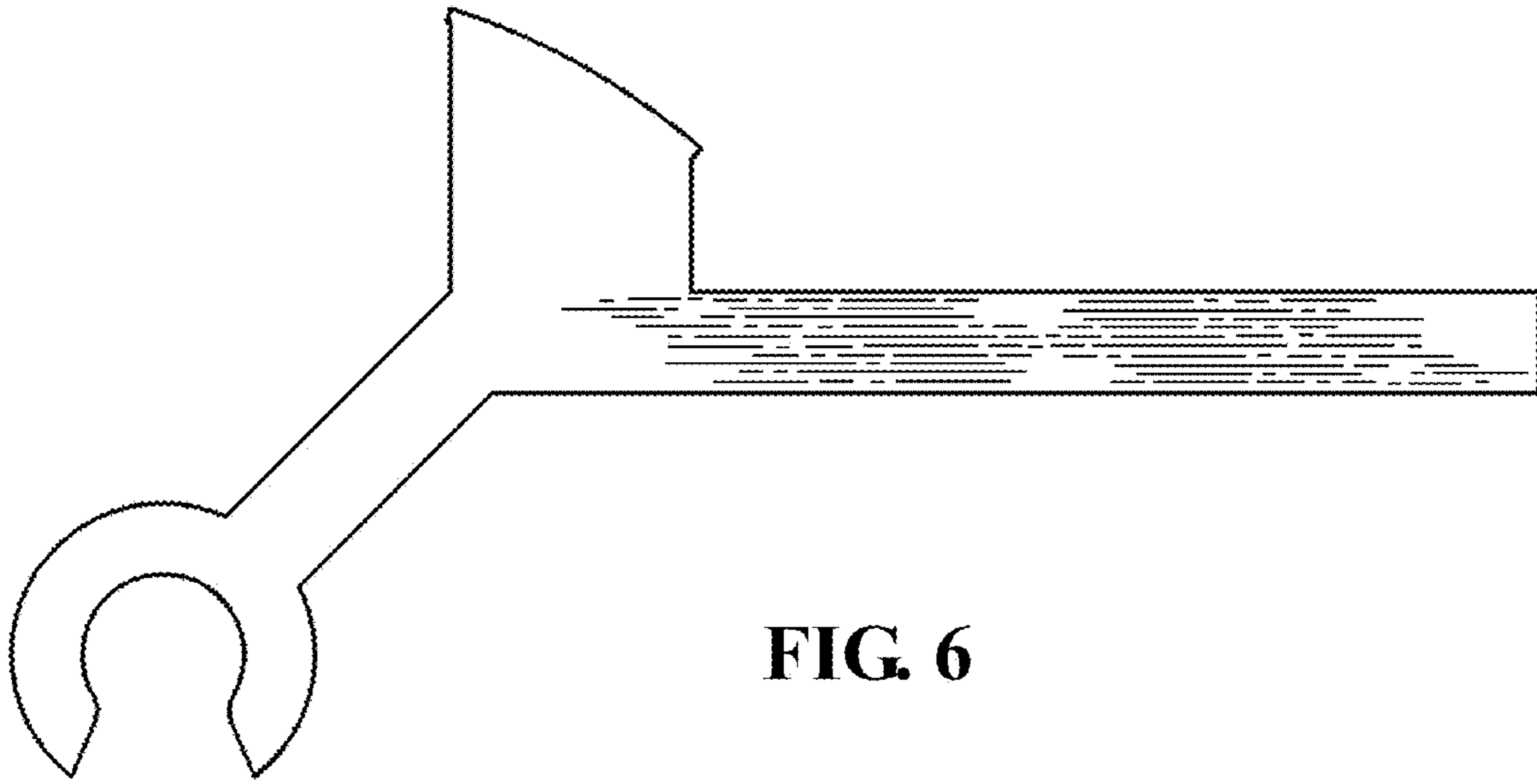
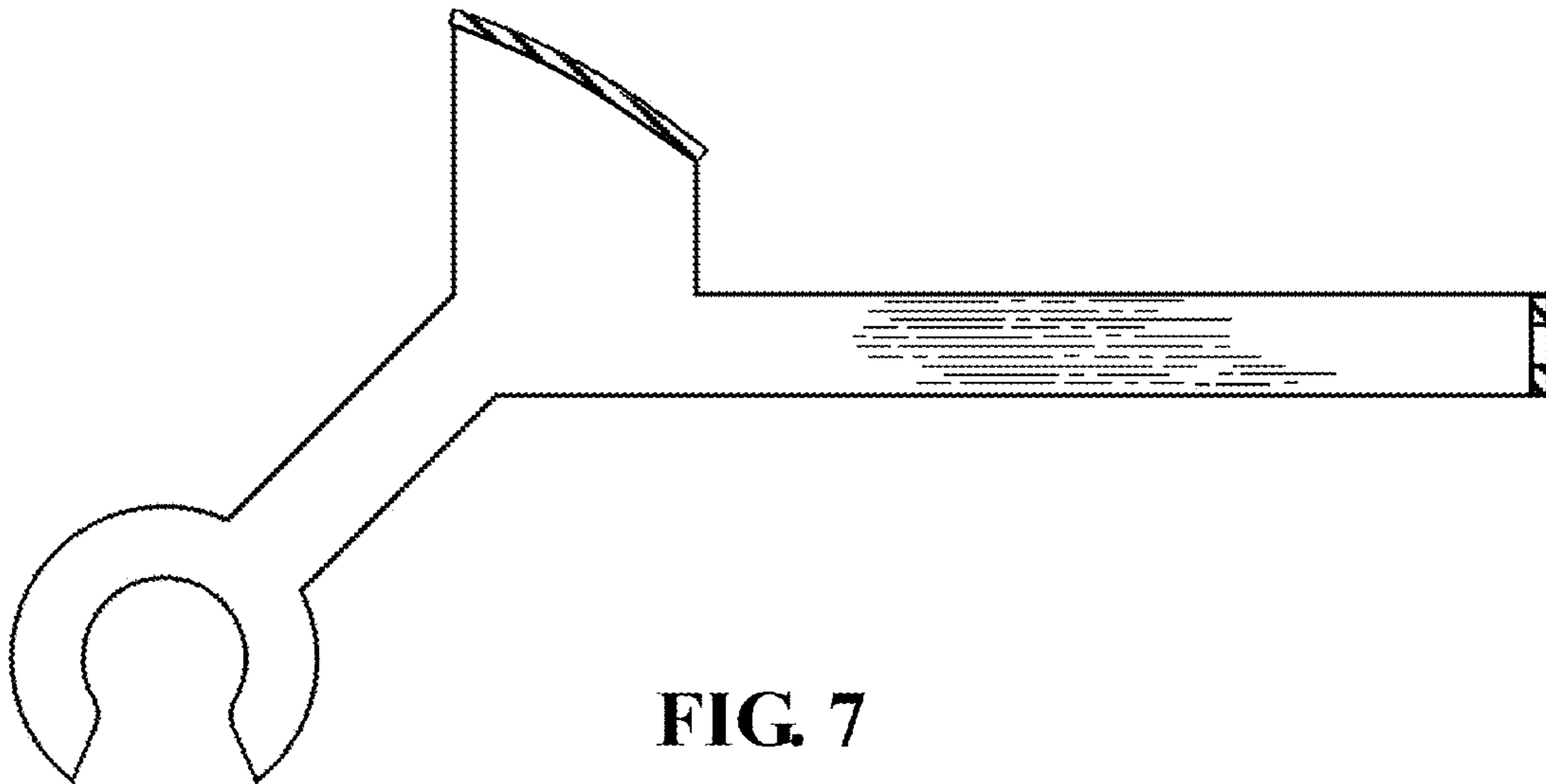


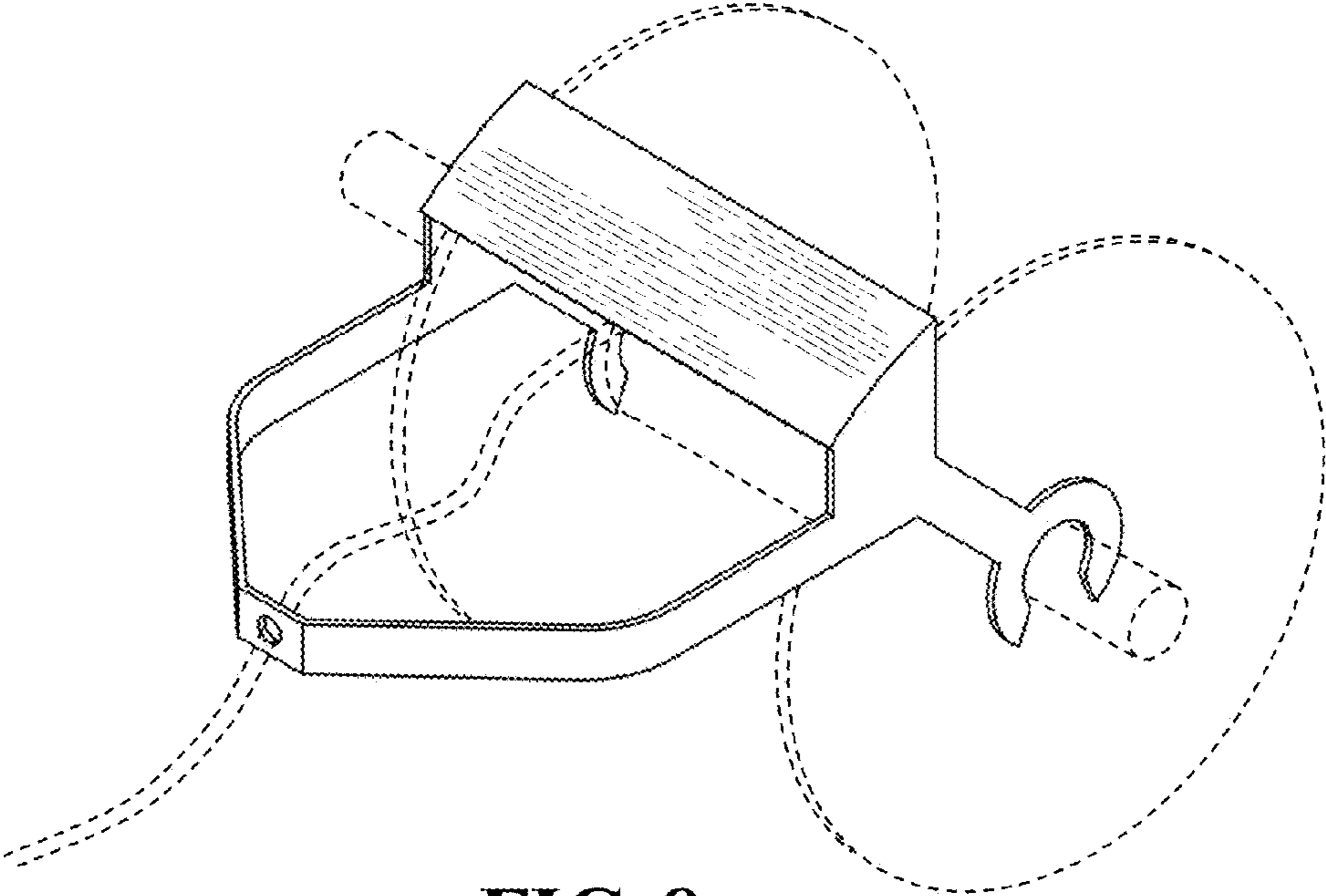
FIG. 5



**FIG. 6**



**FIG. 7**



**FIG. 8**