



US00D740643S

(12) **United States Design Patent**
Watson

(10) **Patent No.:** **US D740,643 S**

(45) **Date of Patent:** **** Oct. 13, 2015**

(54) **DECORATIVE DOOR CLOSER BODY**

(71) Applicant: **Schlage Lock Company LLC**,
Indianapolis, IN (US)

(72) Inventor: **Aida Kim Nishida Watson**, Noblesville,
IN (US)

(73) Assignee: **Schlage Lock Company LLC**,
Indianapolis, IN (US)

(**) Term: **14 Years**

(21) Appl. No.: **29/496,490**

(22) Filed: **Jul. 14, 2014**

(51) **LOC (10) Cl.** **08-07**

(52) **U.S. Cl.**
USPC **D8/330**

(58) **Field of Classification Search**
USPC D8/330, 343; 16/49-51, 59, 62, 71, 82,
16/DIG. 7, 79; 292/201, 144, 92, 339,
292/DIG. 19
CPC F05F 11/24; E05F 3/04; E05F 3/14;
E05F 15/20
See application file for complete search history.

(56) **References Cited**

U.S. PATENT DOCUMENTS

2,855,623	A *	10/1958	Schlage	16/59
2,994,906	A *	8/1961	Check	16/51
3,252,178	A *	5/1966	Check et al.	16/49
3,777,423	A *	12/1973	Coulter et al.	49/31
D241,003	S *	8/1976	Meisner	D8/330

D241,512	S *	9/1976	Hiraishi	D8/330
4,086,681	A *	5/1978	Nakanishi	16/49
D271,277	S *	11/1983	Okazaki	D8/330
D281,762	S *	12/1985	Okazaki	D8/330
5,265,306	A *	11/1993	Yu	16/51
D429,992	S *	8/2000	Ginzel et al.	D8/330
D493,352	S *	7/2004	Homberg	D8/330
D578,852	S *	10/2008	Enriquez	D8/61

* cited by examiner

Primary Examiner — Prabhakar Deshmukh

(74) *Attorney, Agent, or Firm* — Taft Stettinius & Hollister
LLP

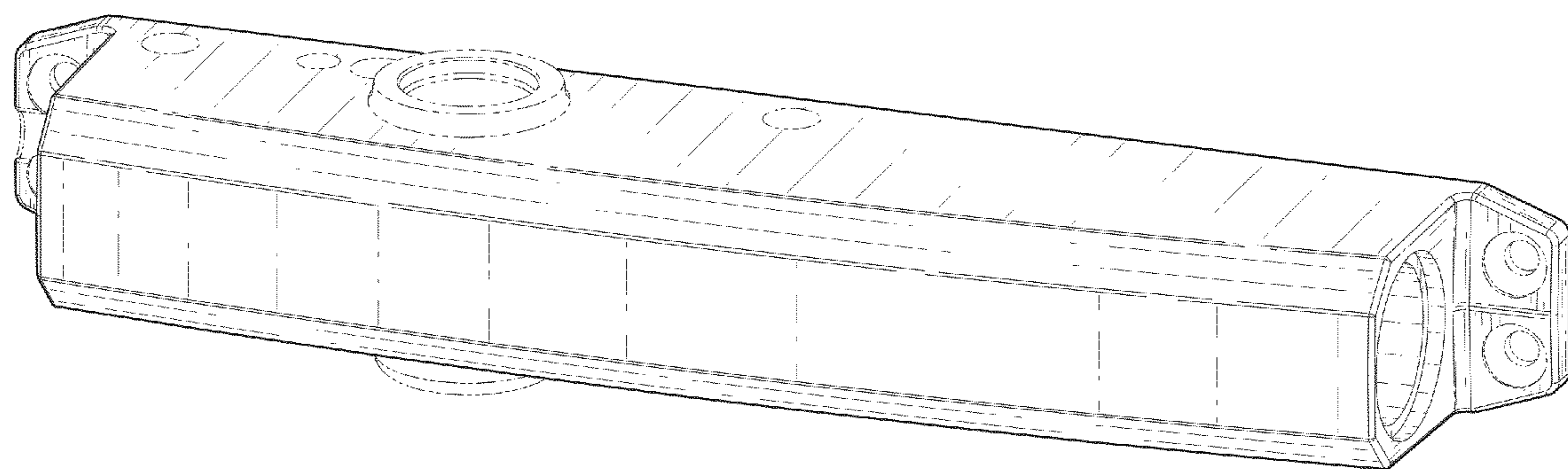
(57) **CLAIM**

The ornamental design for a decorative door closer body, as shown and described.

DESCRIPTION

FIG. 1 is a upper-right front perspective view of the decorative door closer body.
 FIG. 2 is a lower-left front perspective view of the decorative door closer body.
 FIG. 3 is a front view of the decorative door closer body.
 FIG. 4 is a top view of the decorative door closer body.
 FIG. 5 is a enlarged right side view of the decorative door closer body.
 FIG. 6 is a enlarged left side view of the decorative door closer body; and,
 FIG. 7 is a bottom view of the decorative door closer body.
 The broken lines are for the purpose of showing exemplary hardware and exemplary openings/apertures associated with the decorative door closer body, and they form no part of the claimed design.

1 Claim, 3 Drawing Sheets



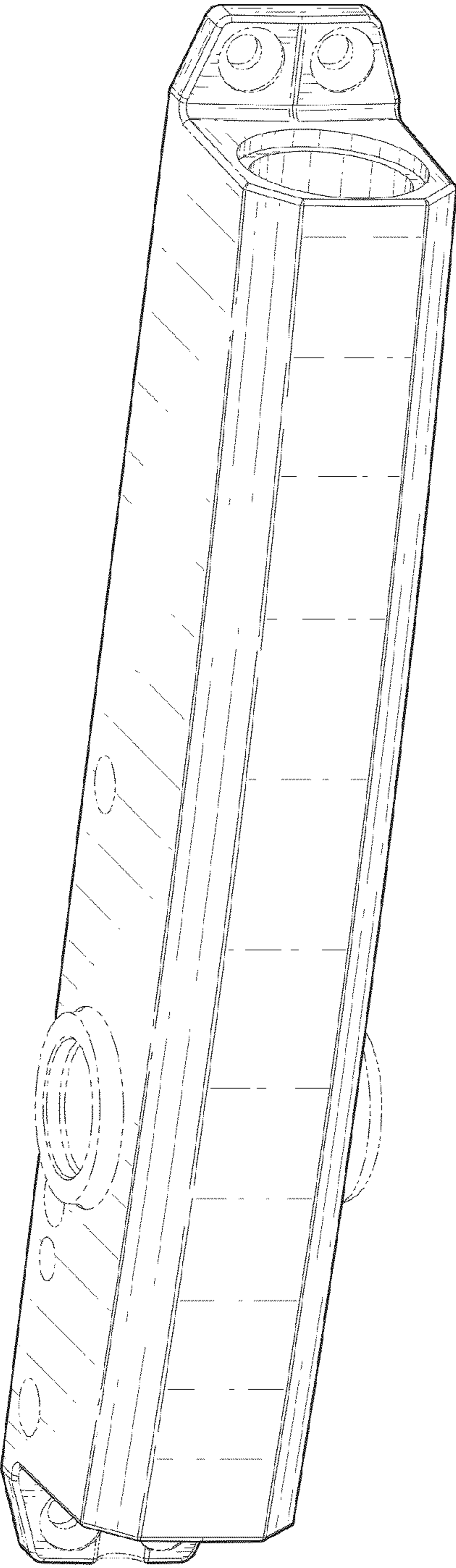


Fig. 1

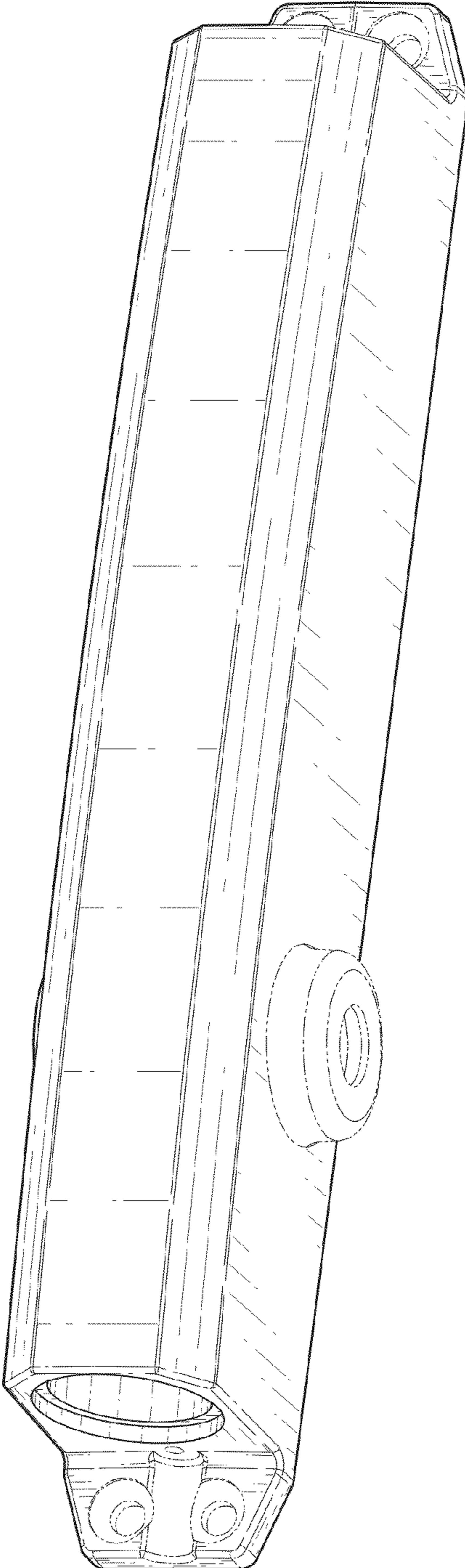


Fig. 2

Fig. 4

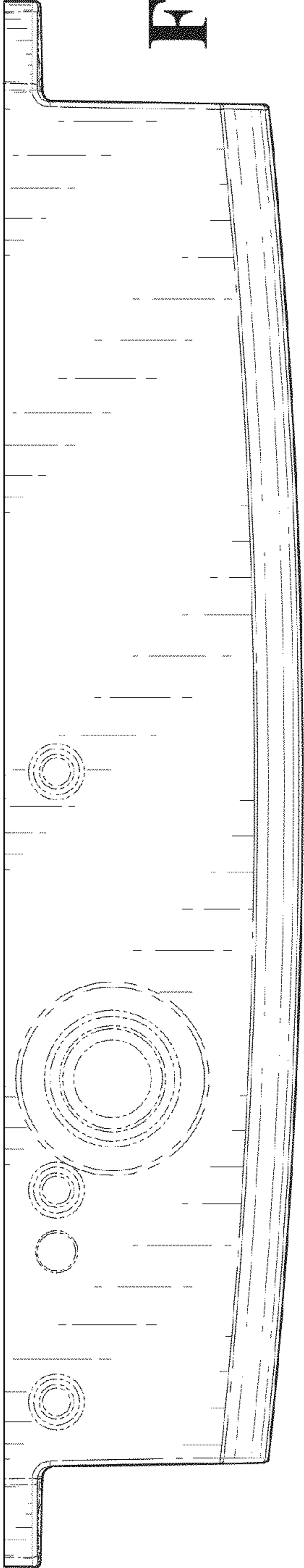


Fig. 3

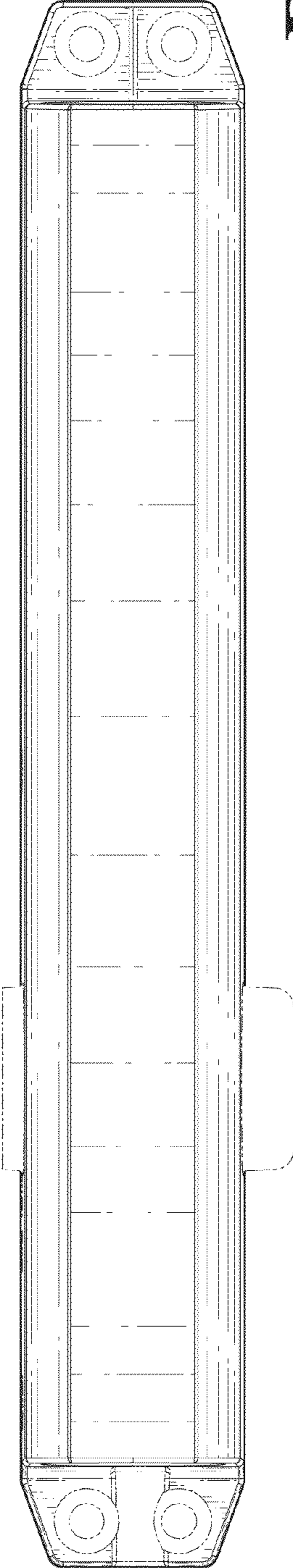
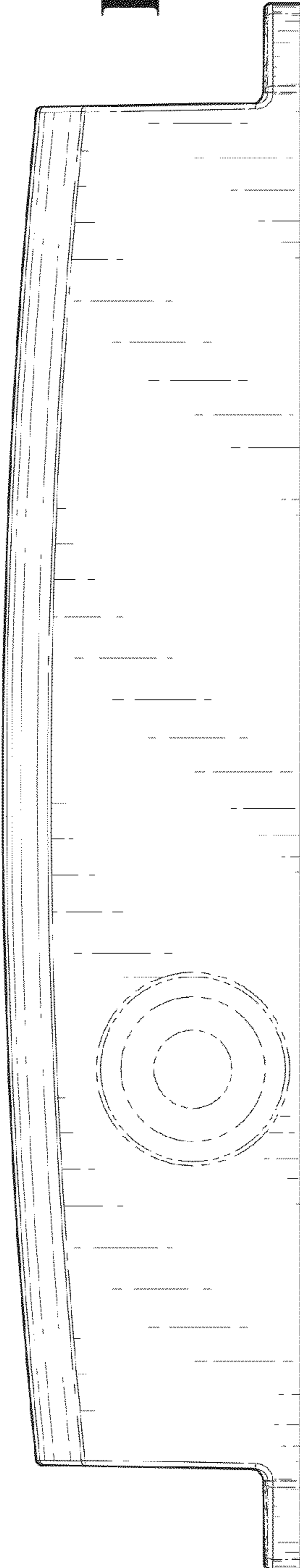


Fig. 7



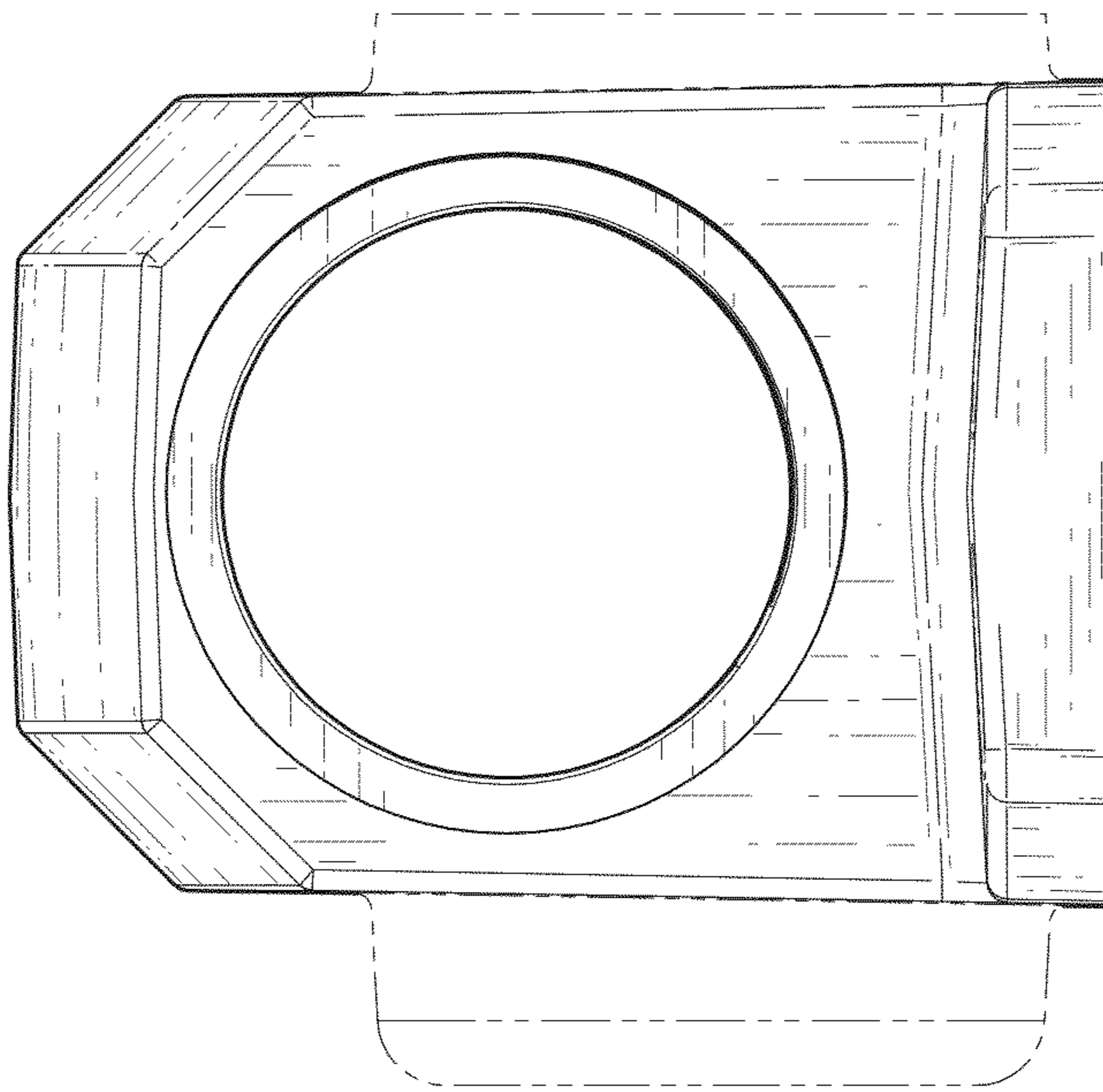


Fig. 5

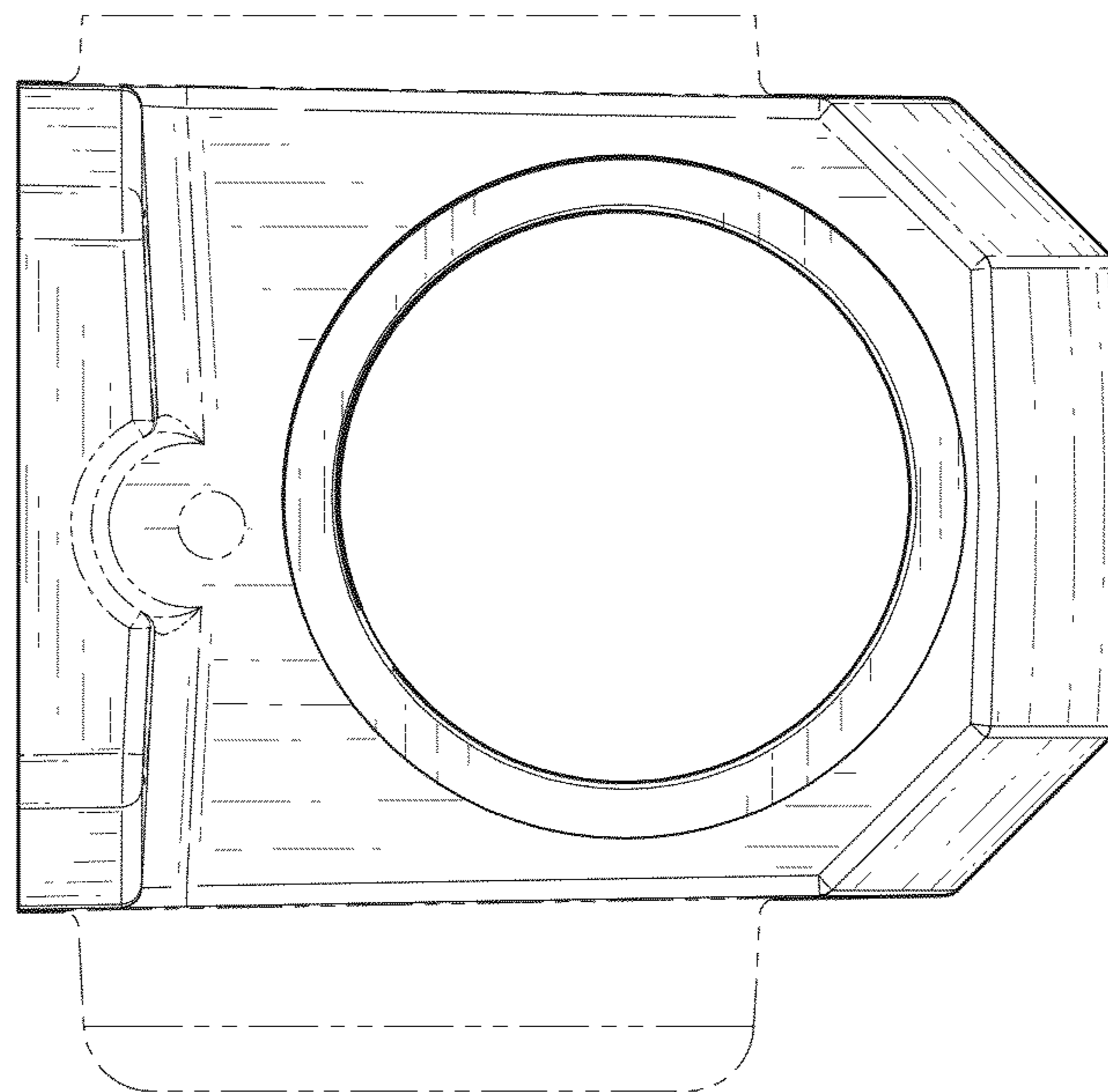


Fig. 6