



US00D740642S

(12) **United States Design Patent**  
**Carlsson**

(10) **Patent No.:** **US D740,642 S**

(45) **Date of Patent:** **\*\* Oct. 13, 2015**

(54) **DOOR AND WINDOW HANDLE**

(71) Applicant: **ASSA OEM AB**, Eskilstuna (SE)

(72) Inventor: **Fredrik Carlsson**, Gothenburg (SE)

(73) Assignee: **ASSA OEM AB**, Eskilstuna (SE)

(\*\*) Term: **14 Years**

(21) Appl. No.: **29/502,430**

(22) Filed: **Sep. 16, 2014**

(51) **LOC (10) Cl.** ..... **08-06**

(52) **U.S. Cl.**  
USPC ..... **D8/301**

(58) **Field of Classification Search**

USPC ..... D8/300-302, 307-309, 310, 311,  
D8/DIG. 10; D23/250, 252; 292/336.3;  
74/523, 543; 70/192, 201, 206, 207;  
16/110.1, 412, 416, DIG. 30  
CPC ..... Y10T 16/44; Y10T 74/20612; Y10T  
74/20732; Y10T 16/458; Y10T 16/498;  
Y10T 16/469; Y10T 16/476; Y10T 74/20744;  
Y10T 74/20864; Y10T 16/4628; Y10T  
74/20642; Y10T 16/473; Y10T 74/20762;  
Y10T 74/2042; Y10T 74/20828; Y10T  
16/459; Y10T 16/4713; Y10T 74/2014;  
Y10T 16/50; Y10T 74/20438; Y10T  
74/20582; Y10T 74/20738; Y10T 16/48;  
Y10T 74/20618; Y10T 74/20684; Y10T  
74/20624; Y10T 74/20468; Y10T 16/61;  
Y10T 16/4719; Y10T 16/86; Y10S 16/30;  
Y10S 292/31; Y10S 292/53; Y10S 16/12;  
Y10S 292/23; Y10S 292/27; Y10S 292/30;  
Y10S 292/63; E05B 85/16; E05B 1/0015;  
E05B 77/06; E05B 79/06; E05B 85/18;  
E05B 85/12; E05B 85/10; E05B 7/00; E05B  
1/0053; E05B 77/265

See application file for complete search history.

(56) **References Cited**

U.S. PATENT DOCUMENTS

D295,947	S	*	5/1988	Valli	.....	D8/308
D300,299	S	*	3/1989	Bellini	.....	D8/301
D578,374	S	*	10/2008	Kim	.....	D8/331
D585,721	S	*	2/2009	Le et al.	.....	D8/308
D650,259	S	*	12/2011	Garancz	.....	D8/308
2005/0104387	A1	*	5/2005	Lin	.....	292/336.3

\* cited by examiner

*Primary Examiner* — Derrick Holland

*Assistant Examiner* — Lauren Calve

(74) *Attorney, Agent, or Firm* — Myers Bigel Sibley & Sajovec, PA

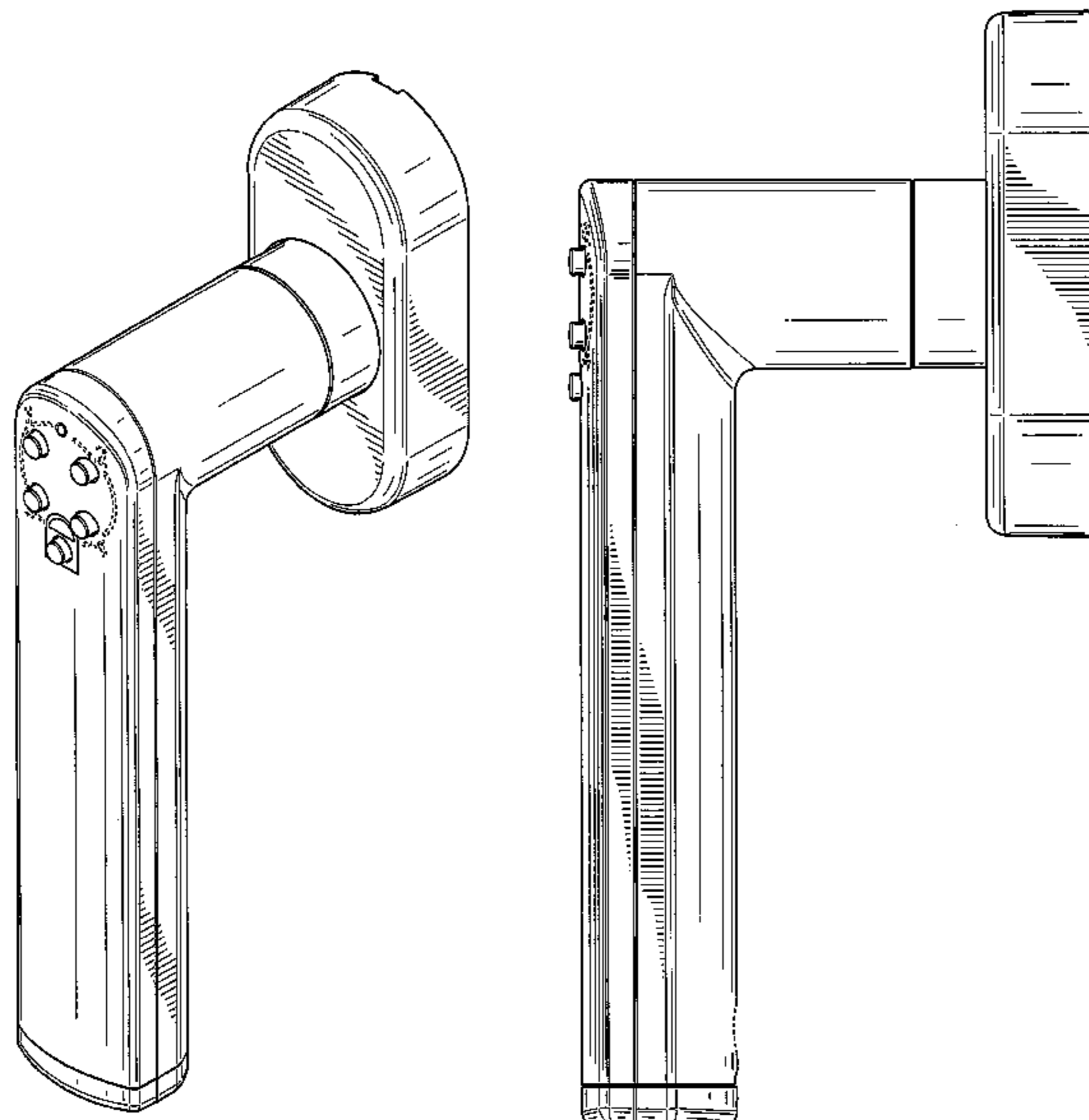
(57) **CLAIM**

The ornamental design for a door and window handle, as shown and described.

**DESCRIPTION**

FIG. 1 is a front perspective view of a door and window handle showing my new design;  
FIG. 2 is a front perspective view thereof, opposite that shown in FIG. 1;  
FIG. 3 is a back perspective view thereof;  
FIG. 4 is a front elevation view thereof;  
FIG. 5 is a back elevation view thereof;  
FIG. 6 is a side elevation view thereof;  
FIG. 7 is a side elevation view thereof, opposite that shown in FIG. 6;  
FIG. 8 is a bottom plan view thereof; and,  
FIG. 9 is a top plan view thereof.  
The broken lines shown represent unclaimed subject matter and form no part of the claimed design.

**1 Claim, 9 Drawing Sheets**



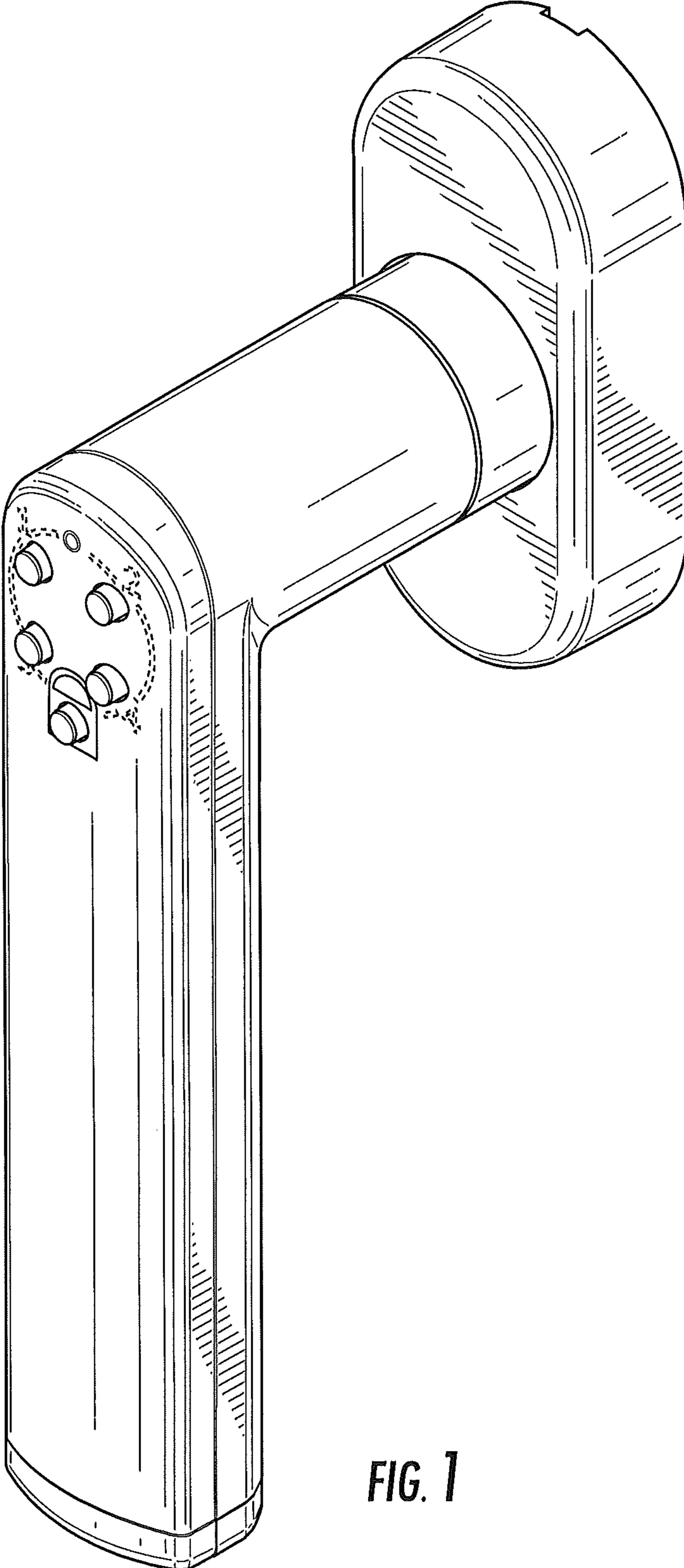


FIG. 1

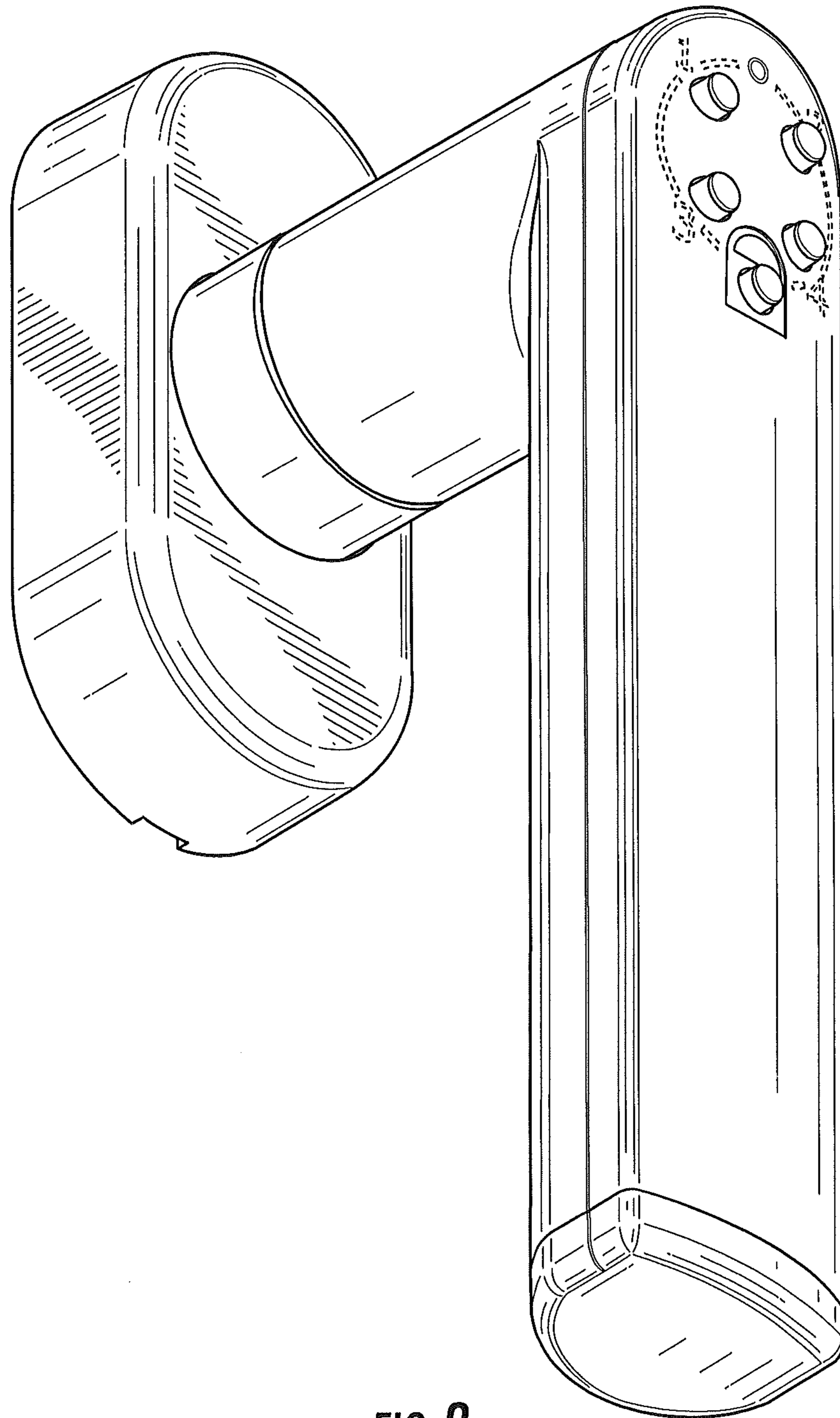


FIG. 2

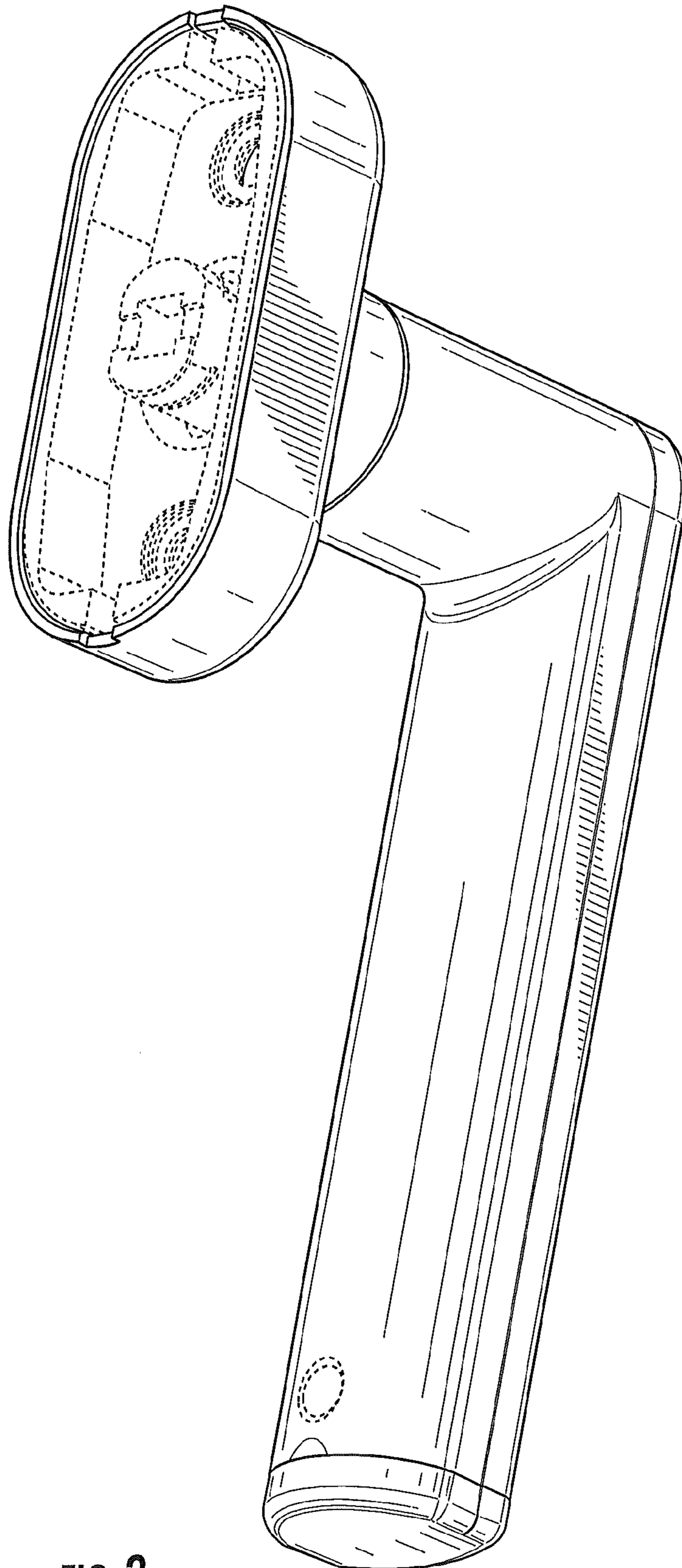


FIG. 3

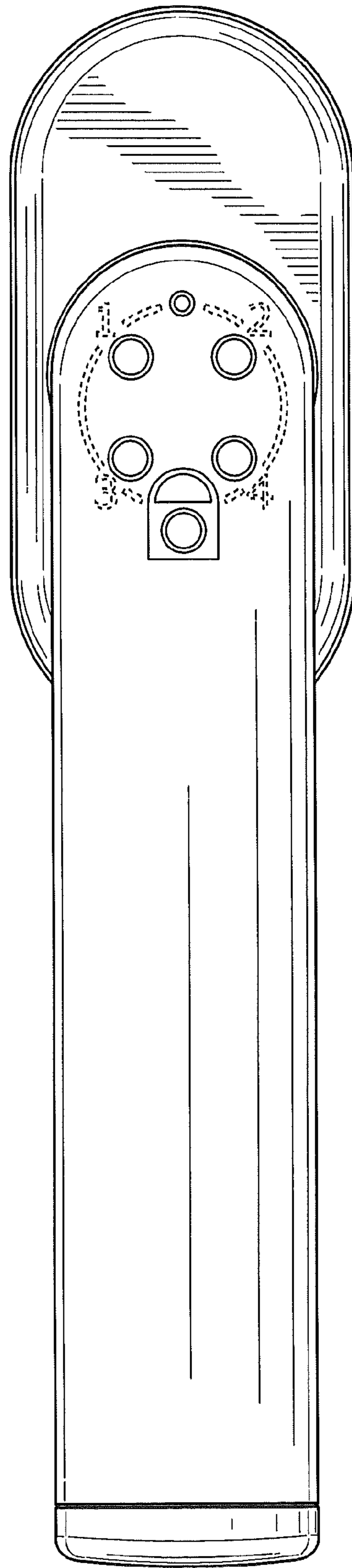


FIG. 4

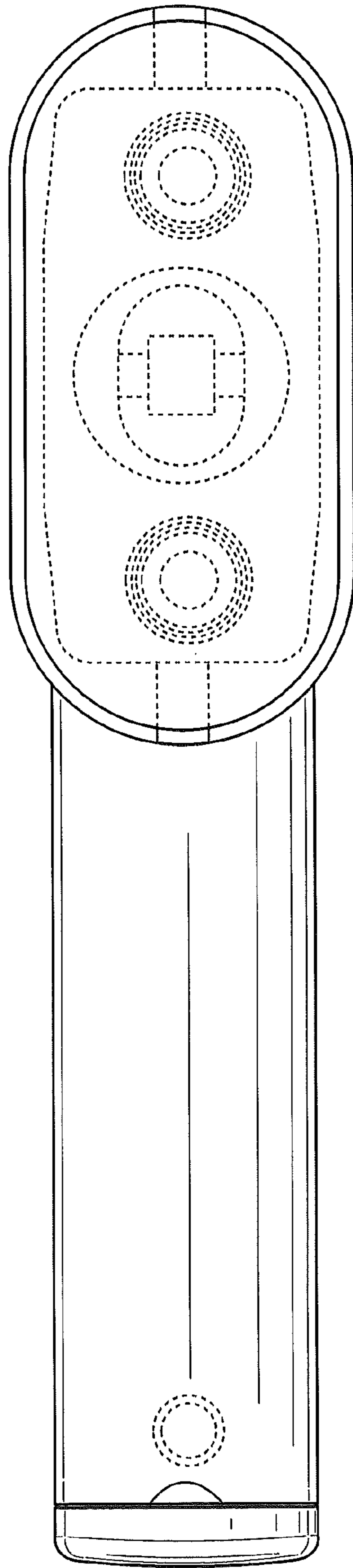


FIG. 5

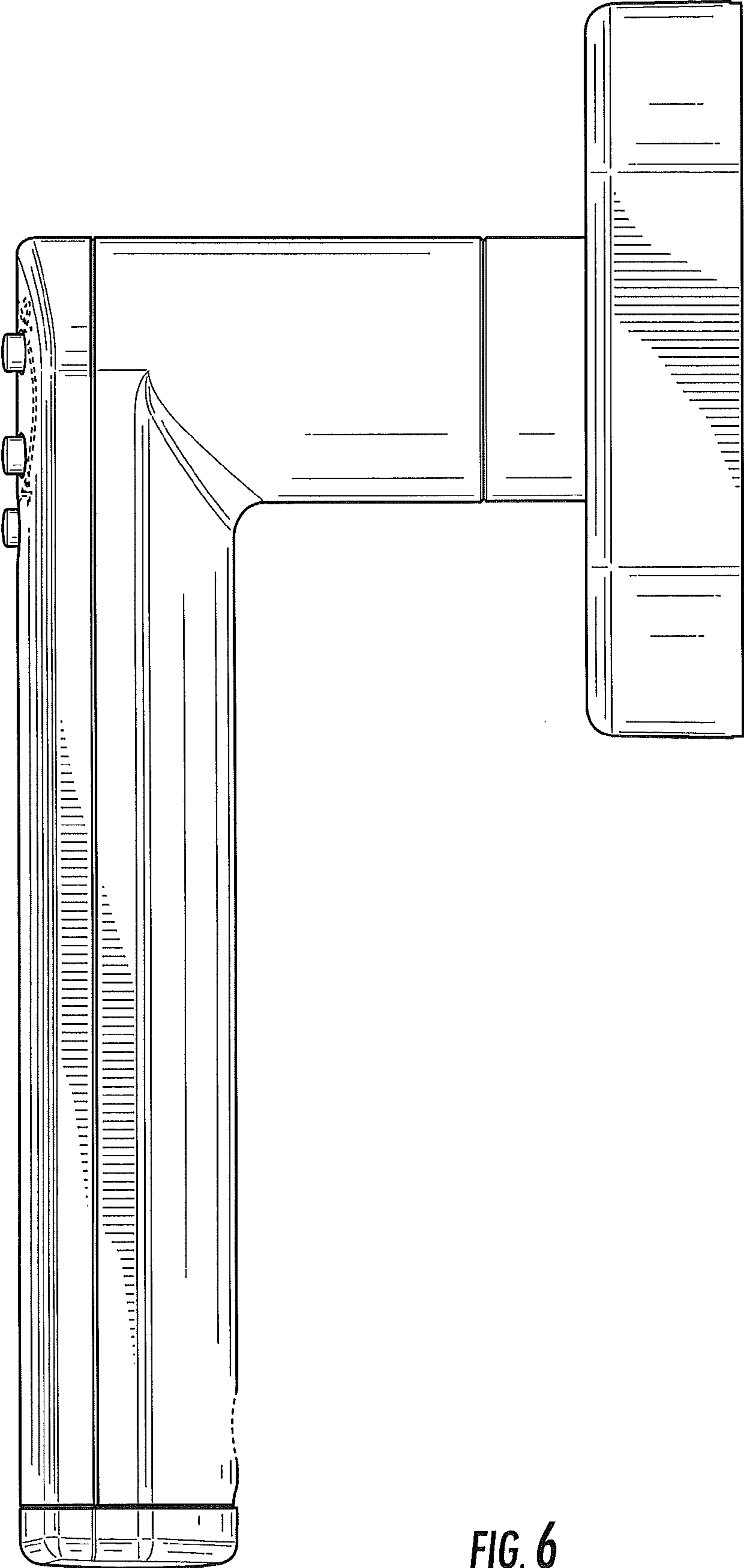


FIG. 6

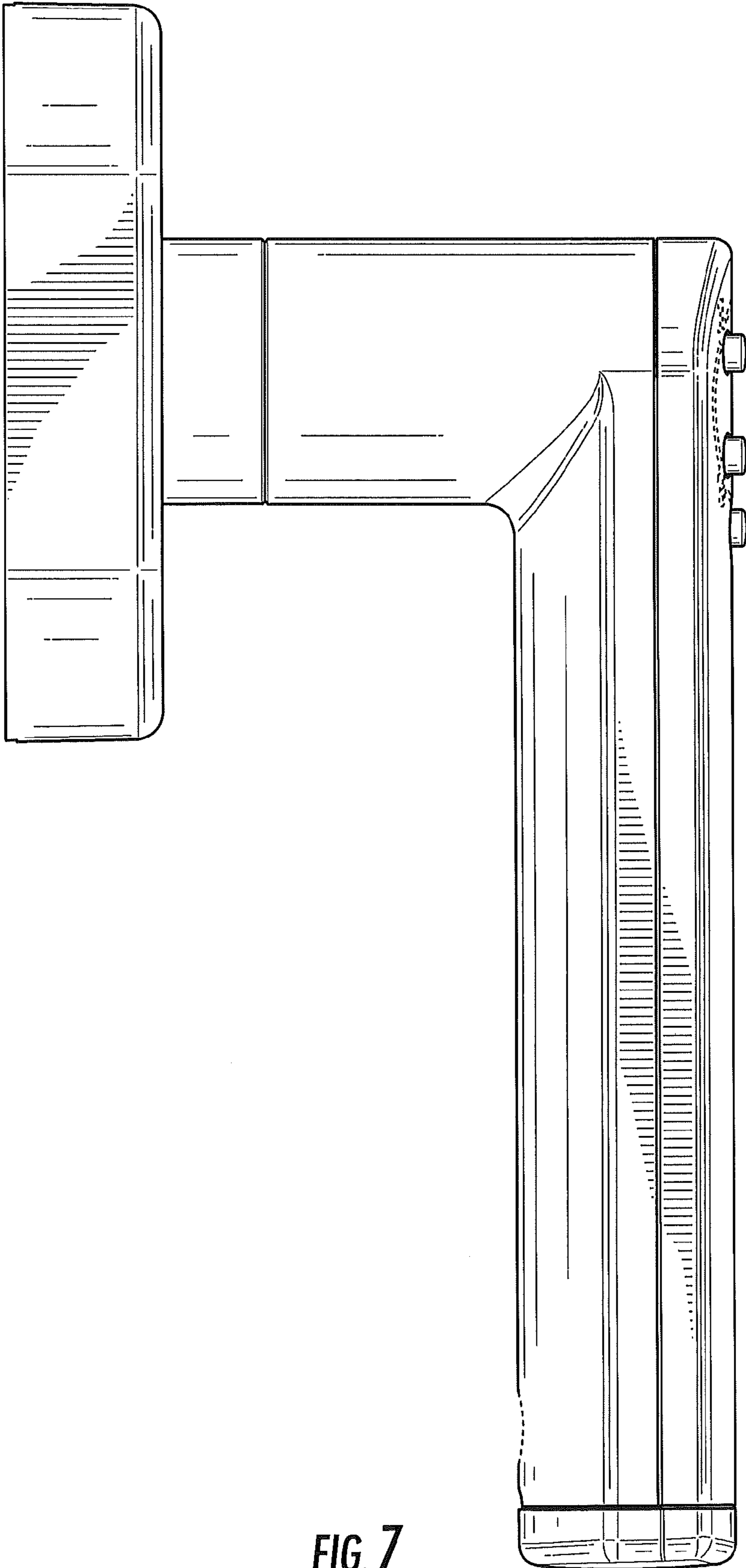
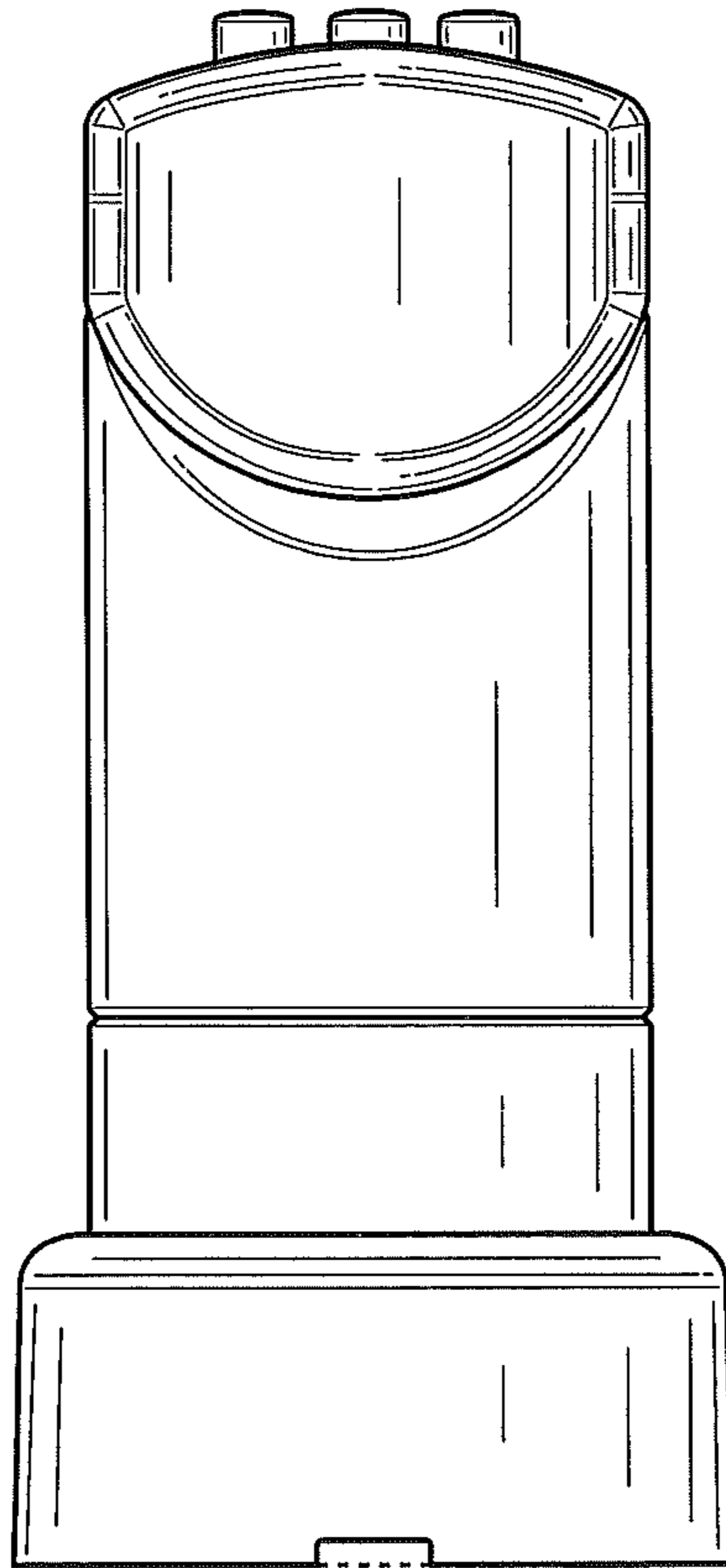
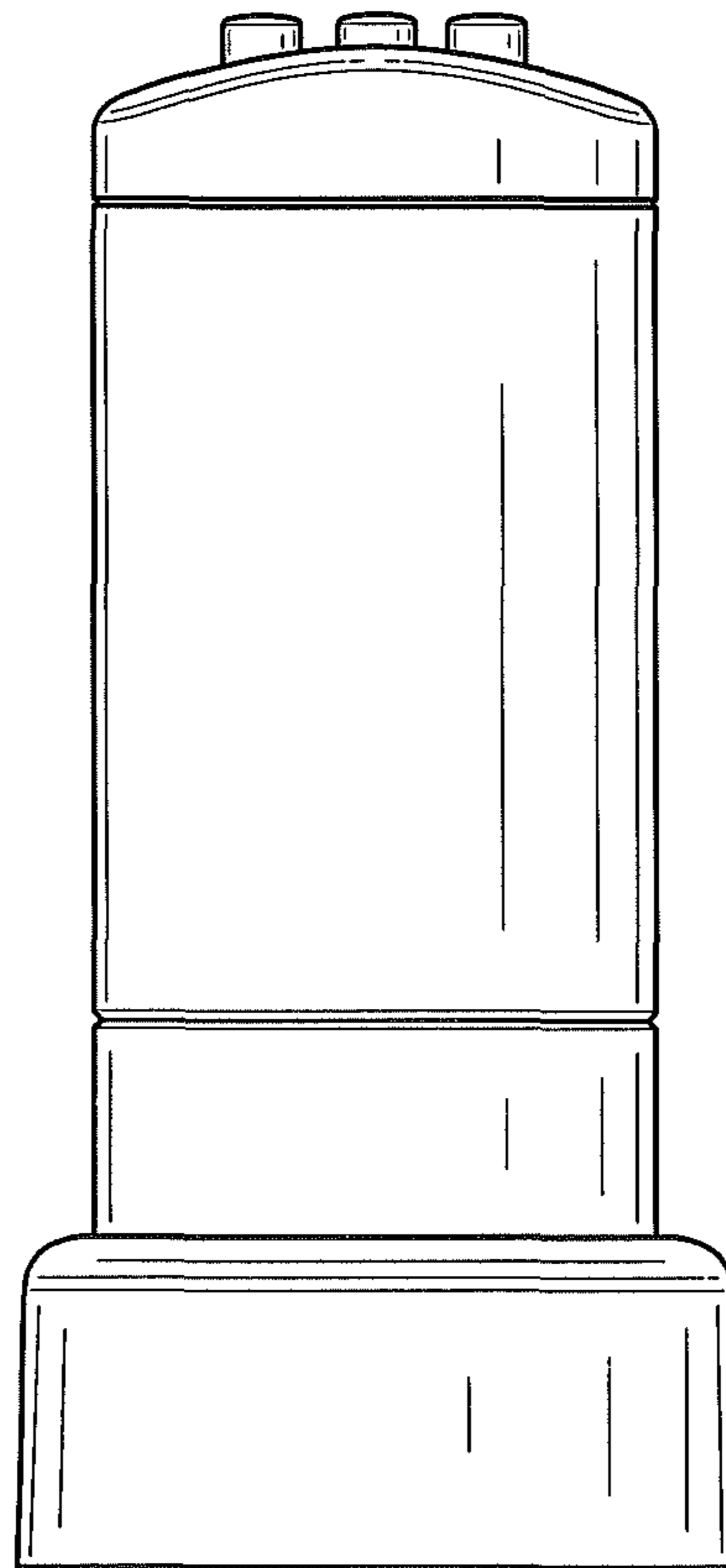


FIG. 7





**FIG. 8**



*FIG. 9*