



US00D740638S

(12) **United States Design Patent**
McMorris et al.

(10) **Patent No.:** **US D740,638 S**

(45) **Date of Patent:** **** Oct. 13, 2015**

(54) **FRAME SETTING TOOL ADJUSTABLE AT BOTH ENDS FOR VARYING FRAME WIDTHS**

(71) Applicants: **Sandra Ann McMorris**, Port St. Lucie, FL (US); **Glen Edward McMorris**, Port St. Lucie, FL (US)

(72) Inventors: **Sandra Ann McMorris**, Port St. Lucie, FL (US); **Glen Edward McMorris**, Port St. Lucie, FL (US)

(**) Term: **14 Years**

(21) Appl. No.: **29/466,139**

(22) Filed: **Sep. 4, 2013**

(51) **LOC (10) Cl.** **08-03**

(52) **U.S. Cl.**
USPC **D8/71**

(58) **Field of Classification Search**
USPC D8/14, 51, 71; 52/217, 127.2, 212, 213
CPC E04F 21/00; E04F 21/003; E04F 21/0007
See application file for complete search history.

(56) **References Cited**

U.S. PATENT DOCUMENTS

3,027,686	A *	4/1962	Oates	52/127.2
3,065,550	A *	11/1962	Pattiani	33/194
4,829,727	A *	5/1989	Kuzara, Jr.	52/127.2
5,253,839	A *	10/1993	McClure	248/354.1
5,340,095	A *	8/1994	Eicher, III	269/43

5,377,462	A *	1/1995	Beals et al.	52/127.2
6,282,852	B1 *	9/2001	Walcker	52/212
6,530,186	B2 *	3/2003	Torstensen	52/217
7,299,590	B1 *	11/2007	Gibbs	52/127.2

* cited by examiner

Primary Examiner — Phillip S Hyder

(57) **CLAIM**

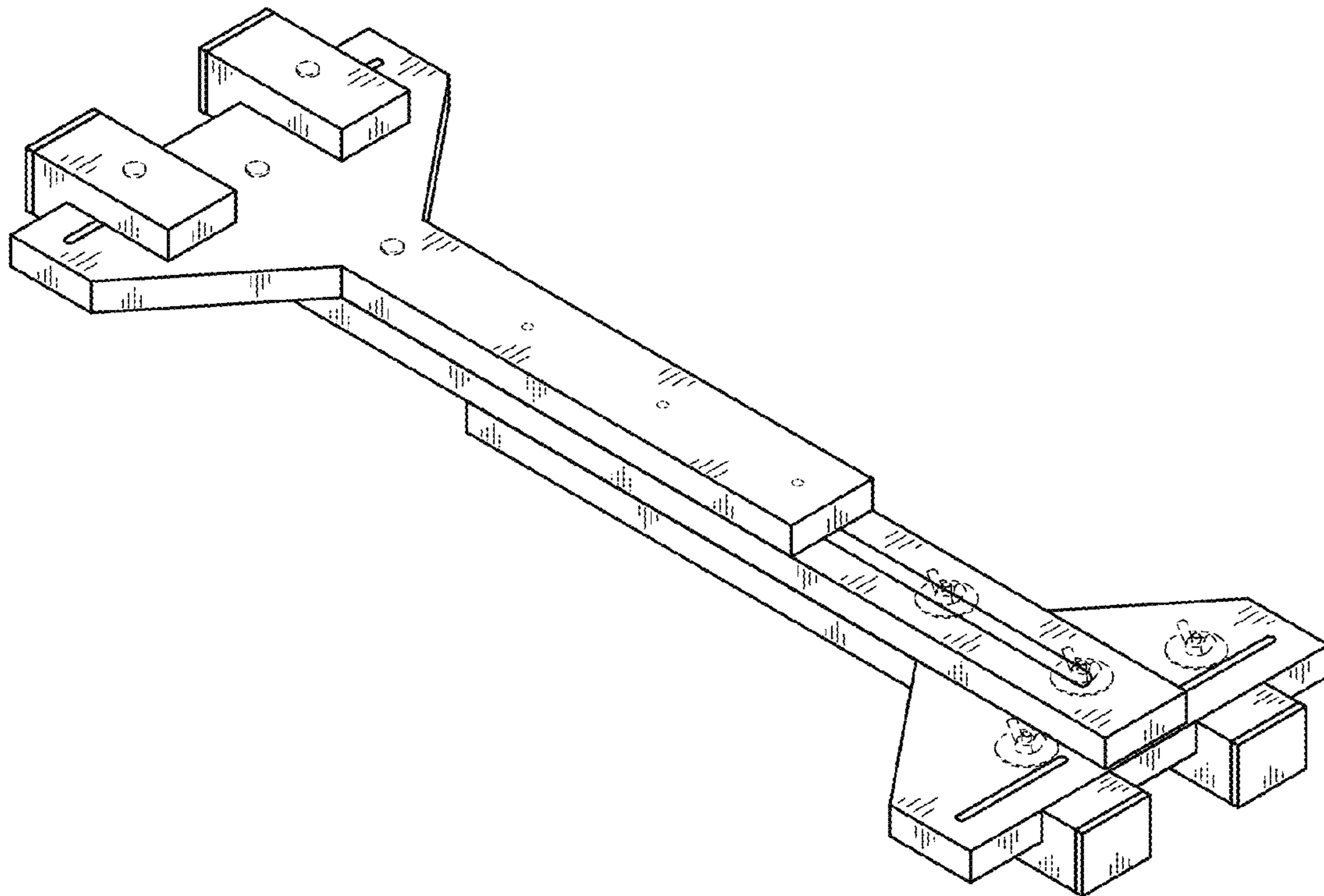
The ornamental design for a frame setting tool adjustable at both ends for varying frame widths, as shown and described.

DESCRIPTION

FIG. 1 is a perspective front view of a frame setting tool adjustable at both ends for varying frame widths;
 FIG. 2 is a front elevation view of the frame setting tool adjustable at both ends for varying frame widths;
 FIG. 3 is a rear elevation view of the frame setting tool adjustable at both ends for varying frame widths;
 FIG. 4 is a left elevation view of the frame setting tool adjustable at both ends for varying frame widths;
 FIG. 5 is a right elevation view of the frame setting tool adjustable at both ends for varying frame widths;
 FIG. 6 is a top plan view of the frame setting tool adjustable at both ends for varying frame widths; and,
 FIG. 7 is a bottom plan view of the frame setting tool adjustable at both ends for varying frame widths.

The broken lines shown in the drawings illustrate portions of the frame setting tool adjustable at both ends for varying frame widths that form no part of the claimed design.

1 Claim, 3 Drawing Sheets



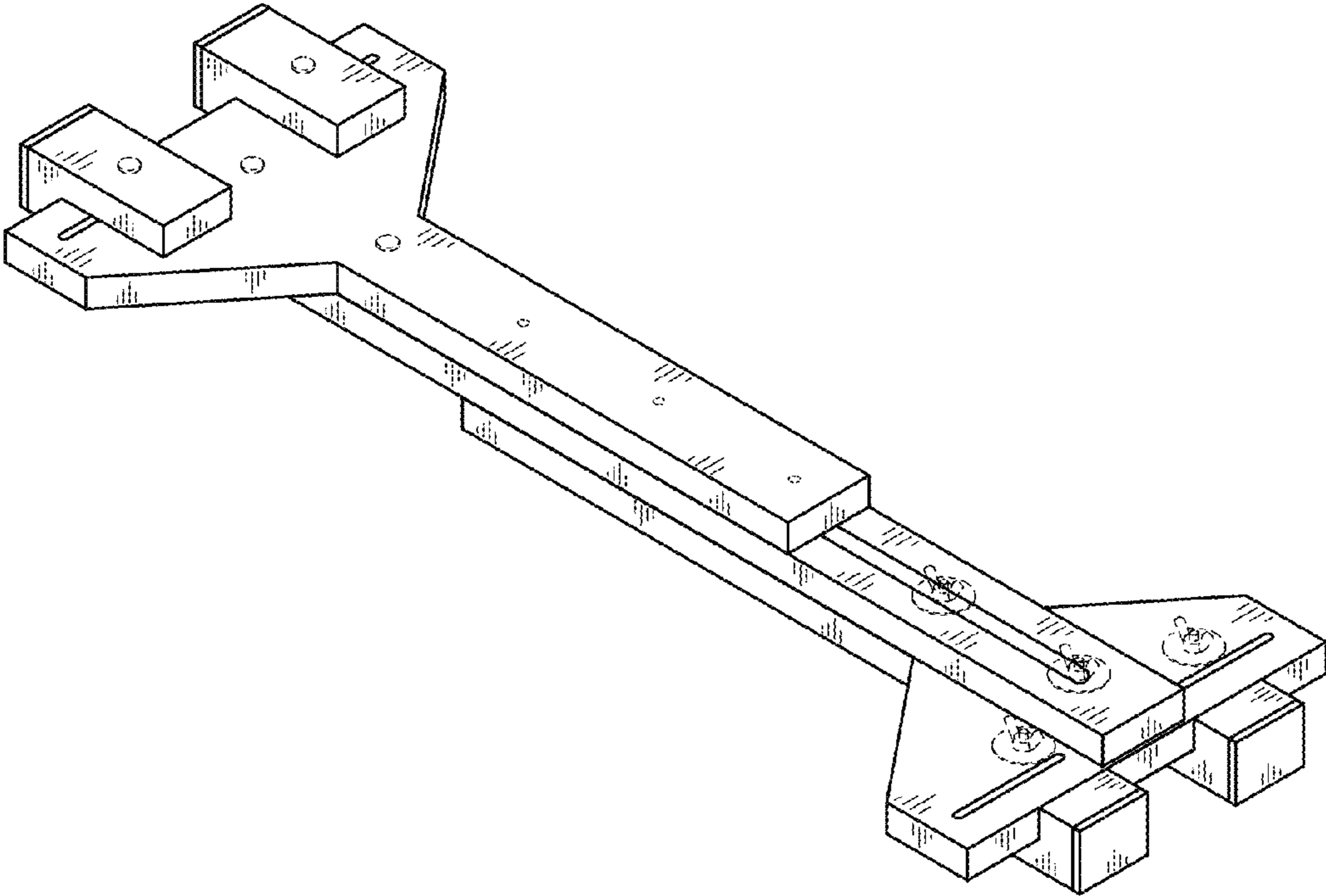


FIG. 1

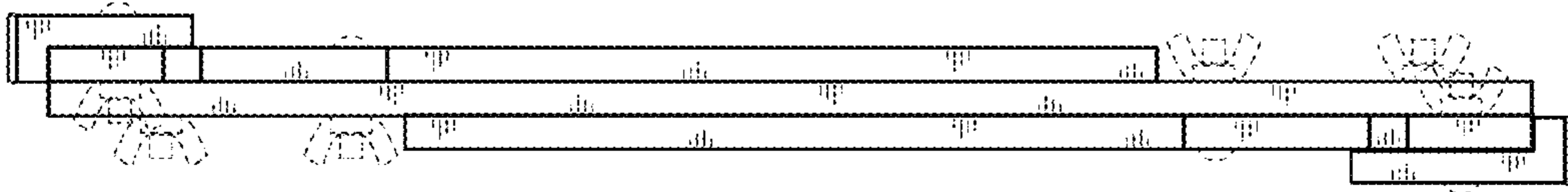


FIG. 2

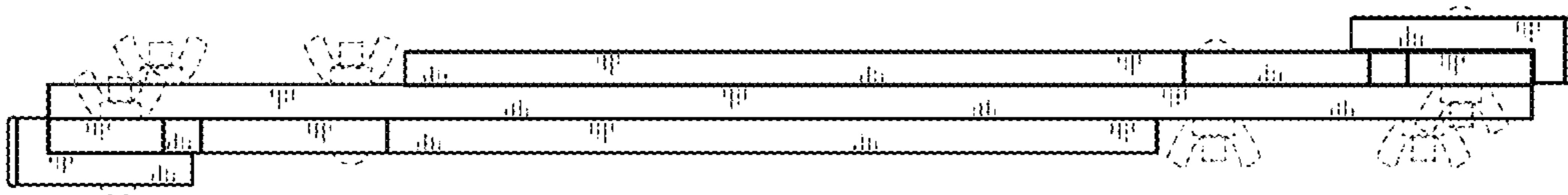


FIG. 3

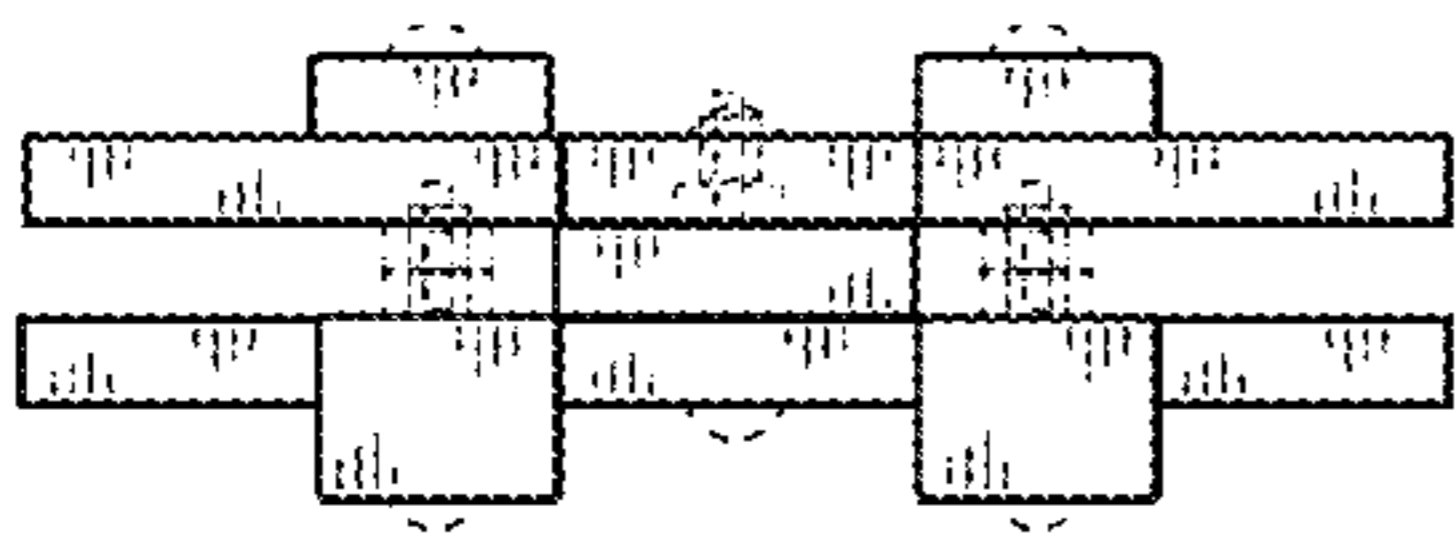


FIG. 4

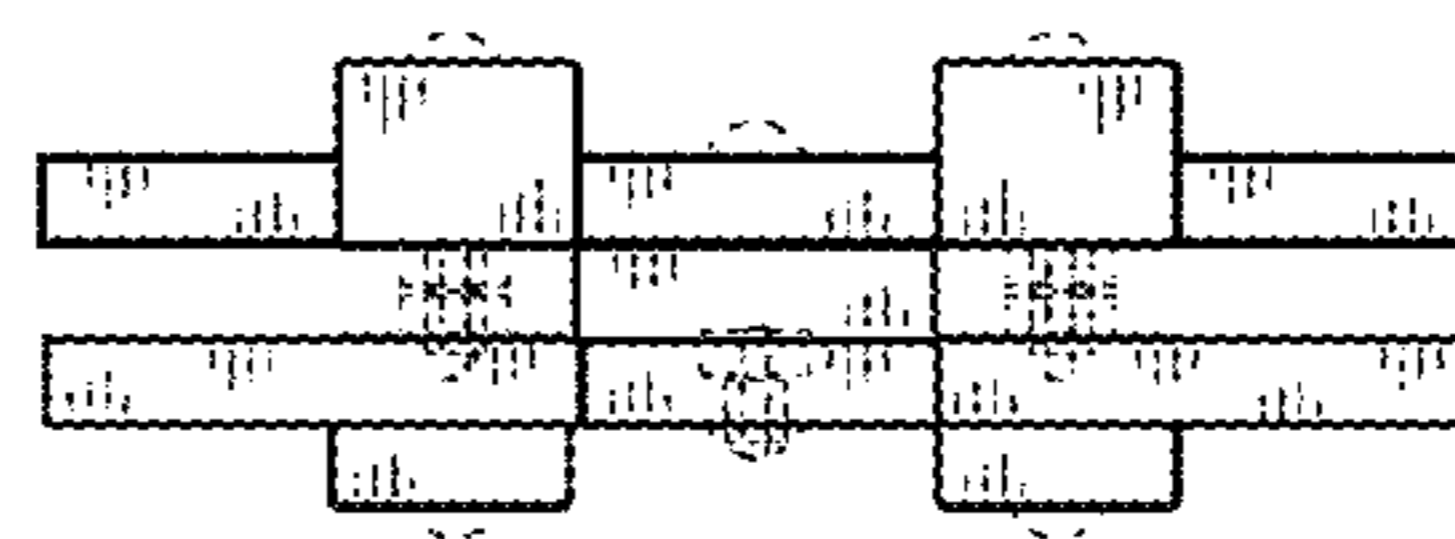


FIG. 5

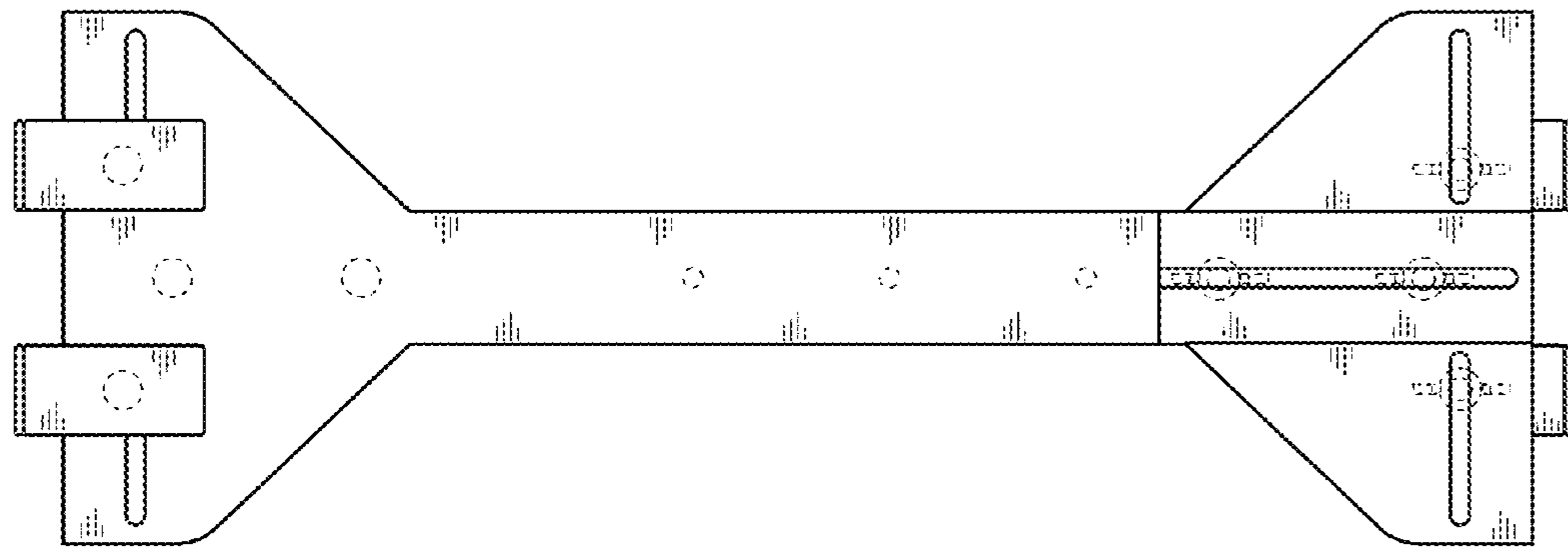


FIG. 6

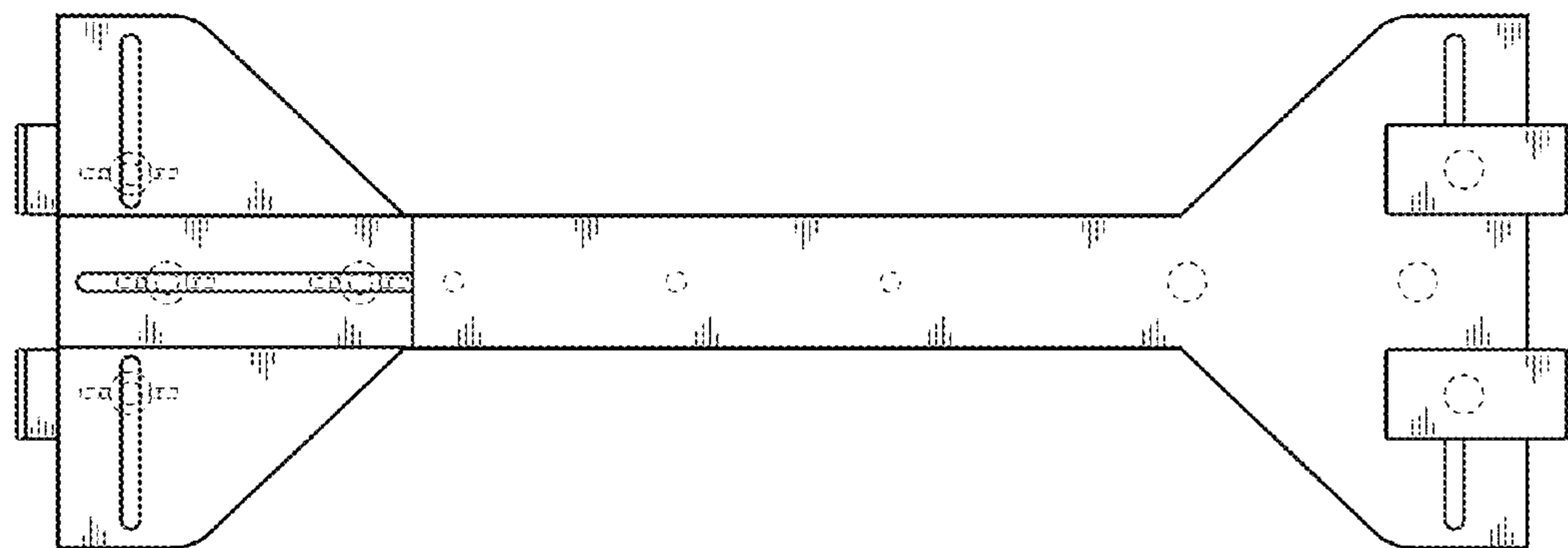


FIG. 7