



US00D740637S

(12) **United States Design Patent**  
**Finnas**

(10) **Patent No.:** **US D740,637 S**  
(45) **Date of Patent:** **\*\* Oct. 13, 2015**

(54) **BACKING PAD**

(71) Applicant: **Stig Finnas, Sundby (FI)**

(72) Inventor: **Stig Finnas, Sundby (FI)**

(73) Assignee: **KWH MIRKA LTD, Jeppo (FI)**

(\*\*) Term: **14 Years**

(21) Appl. No.: **29/440,009**

(22) Filed: **Dec. 18, 2012**

(30) **Foreign Application Priority Data**

Oct. 31, 2012 (EM) ..... 001350235-0001  
Oct. 31, 2012 (EM) ..... 001350235-0002

(51) **LOC (10) CL.** ..... **08-05**

(52) **U.S. CL.**  
USPC ..... **D8/70**

(58) **Field of Classification Search**  
USPC ..... D8/20, 61, 62, 63, 70; D15/124, 125,  
D15/126, 132, 138, 139, 140; 30/307, 347,  
30/355, 388, 389, 390; 51/296; 83/663,  
83/676, 835; 125/15, 18; 451/259, 359,  
451/420, 490, 510, 540, 541, 542, 548, 550  
See application file for complete search history.

(56) **References Cited**

**U.S. PATENT DOCUMENTS**

6,206,771 B1 \* 3/2001 Lehman ..... 451/357  
6,361,424 B1 \* 3/2002 Manor et al. .... 451/490  
D467,485 S \* 12/2002 Daniels et al. .... D8/70  
D503,602 S \* 4/2005 Hede ..... D8/70  
D506,376 S \* 6/2005 Hede ..... D8/70  
D509,121 S \* 9/2005 Hede ..... D8/70  
D559,063 S \* 1/2008 Okamoto et al. .... D8/70

D568,134 S \* 5/2008 Umbrell ..... D8/70  
D591,133 S \* 4/2009 Umbrell ..... D8/70  
D657,404 S \* 4/2012 Brandstetter ..... D15/126  
D678,745 S \* 3/2013 Nguyen ..... D8/70  
D687,471 S \* 8/2013 Fu et al. .... D15/126  
D689,913 S \* 9/2013 Fu et al. .... D15/126

**OTHER PUBLICATIONS**

Mirka's New Backing Pads. Mirka Backing Pad with a Central Air Inlet. Jul. 18, 2013 [online], [retrieved on Dec. 26, 2013]. Retrieved from the Internet <URL: <http://mirka.com/en/DEROS/BACKING-PADS/>>.\*

Prime Decoration. Meet the Mirka's. May 3, 2013 [online], [retrieved on Dec. 26, 2013]. Retrieved from the Internet <URL: <http://primedecoration.co.uk/meet-the-mirkas/>>.\*

Rupes—981.430/5 Multihole Slim Backing pad 5/16". Nov. 1, 2012 [online], [retrieved on Dec. 26, 2013]. Retrieved from the Internet <URL: <http://www.rupestool.com/p/us/en/0222544296408/>>.\*

\* cited by examiner

*Primary Examiner* — Philip S Hyder

*Assistant Examiner* — Darlington Ly

(74) *Attorney, Agent, or Firm* — Nath, Goldberg & Meyer; Jerald L. Meyer

(57) **CLAIM**

The ornamental design for a backing pad, as shown and described.

**DESCRIPTION**

FIG. 1 is a perspective view of a backing pad showing my new design;

FIG. 2 is a bottom-side perspective view thereof;

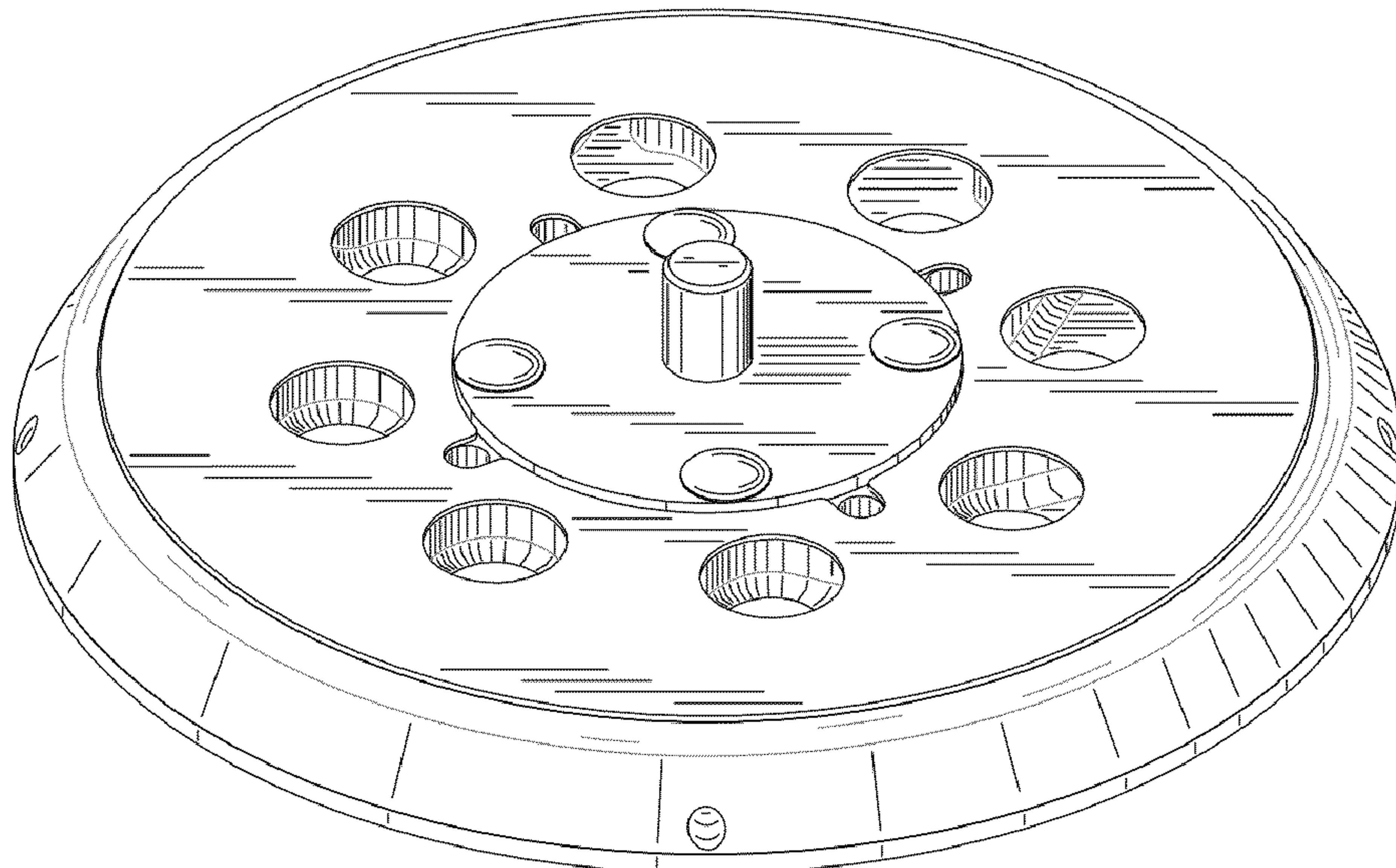
FIG. 3 is a top plan view thereof;

FIG. 4 is a side elevation view thereof;

FIG. 5 is an opposing side elevation view thereof; and,

FIG. 6 is a bottom plan view thereof.

**1 Claim, 3 Drawing Sheets**





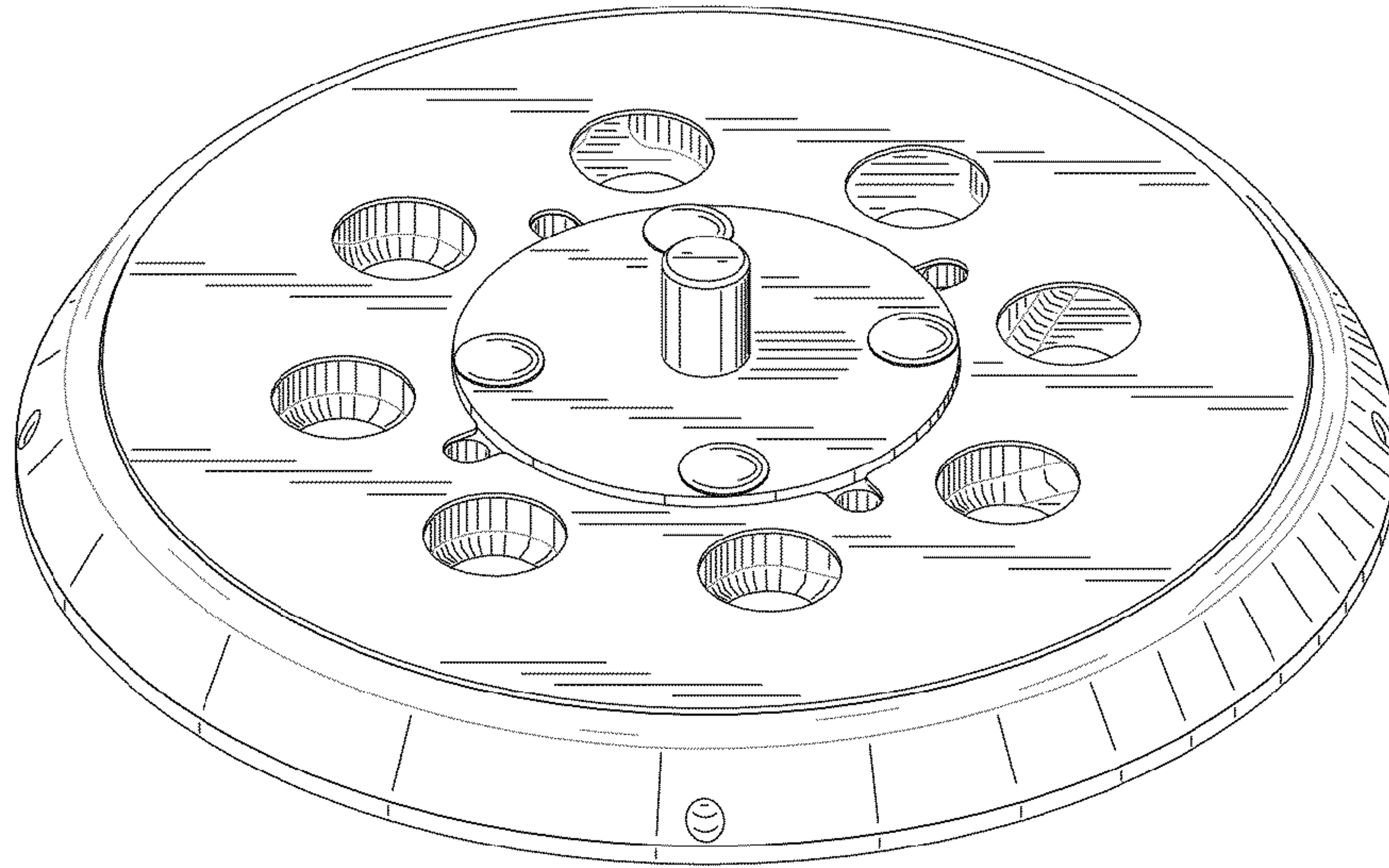


Fig. 1

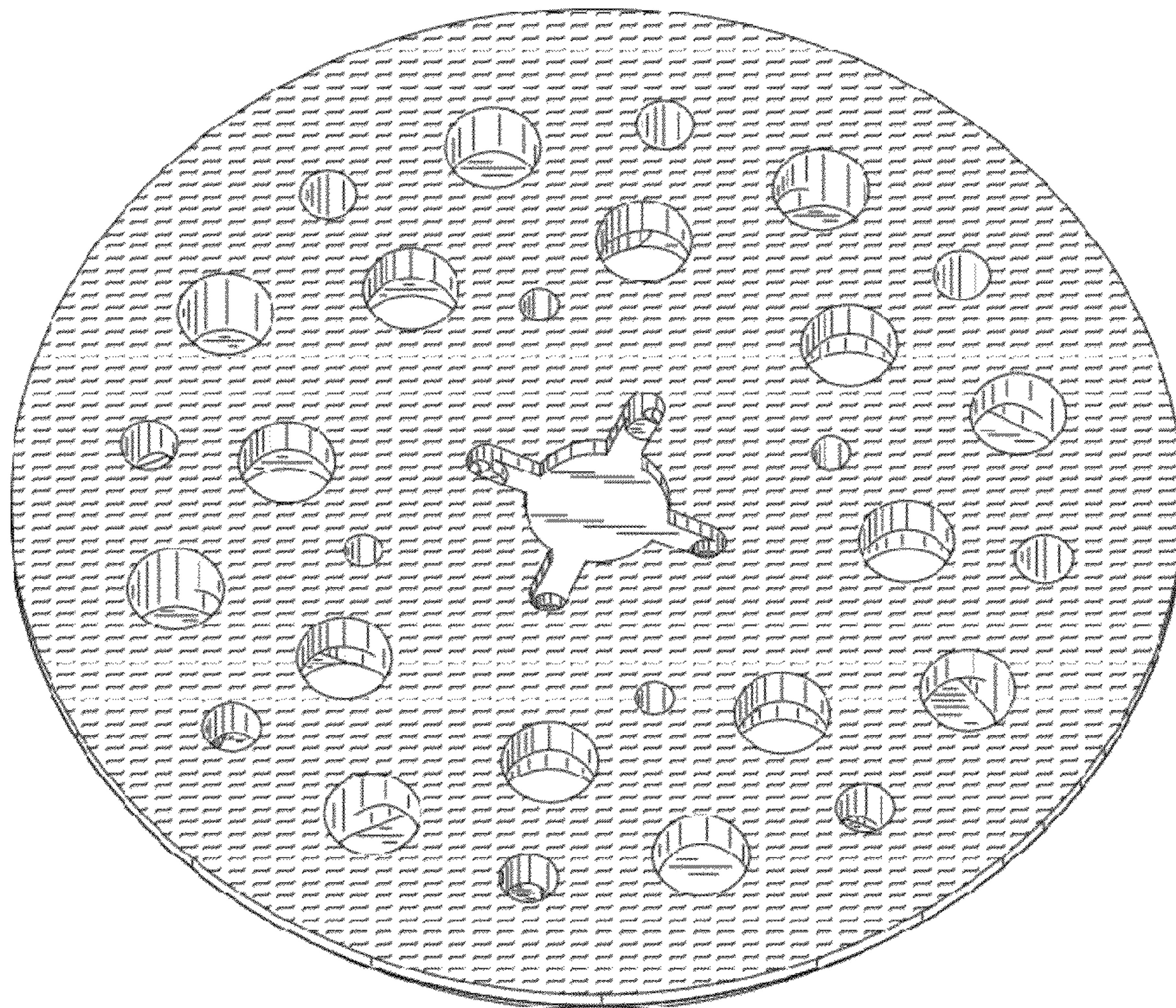


Fig. 2

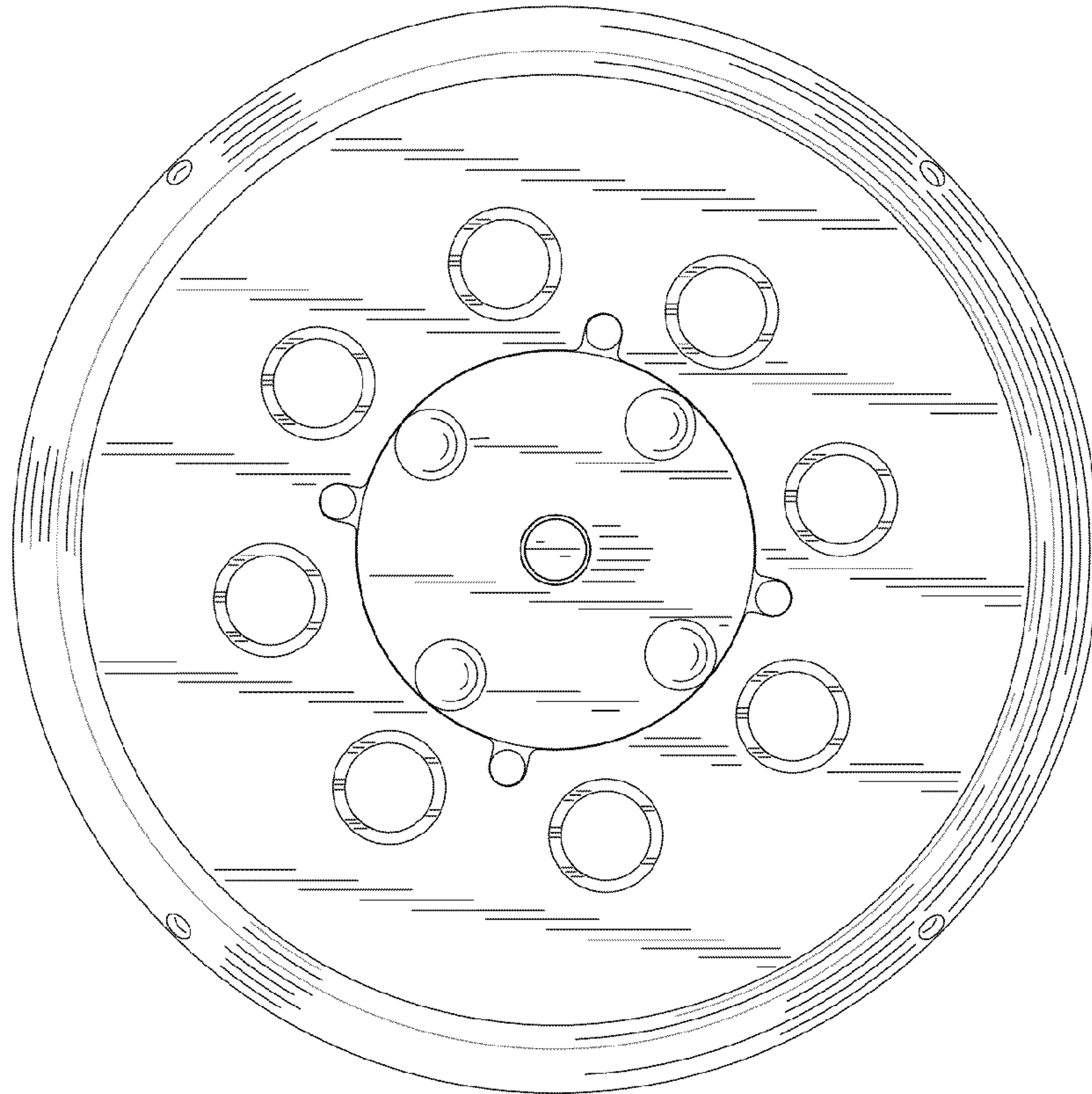


Fig. 3

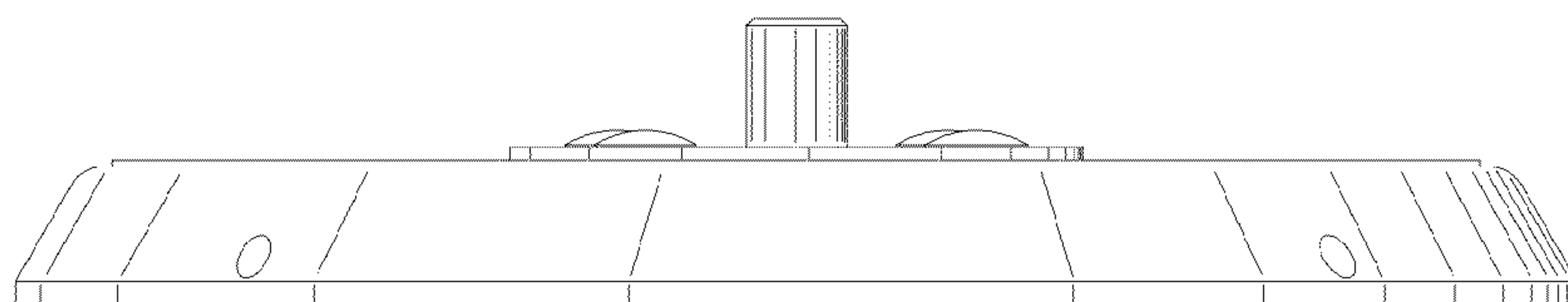


Fig. 4

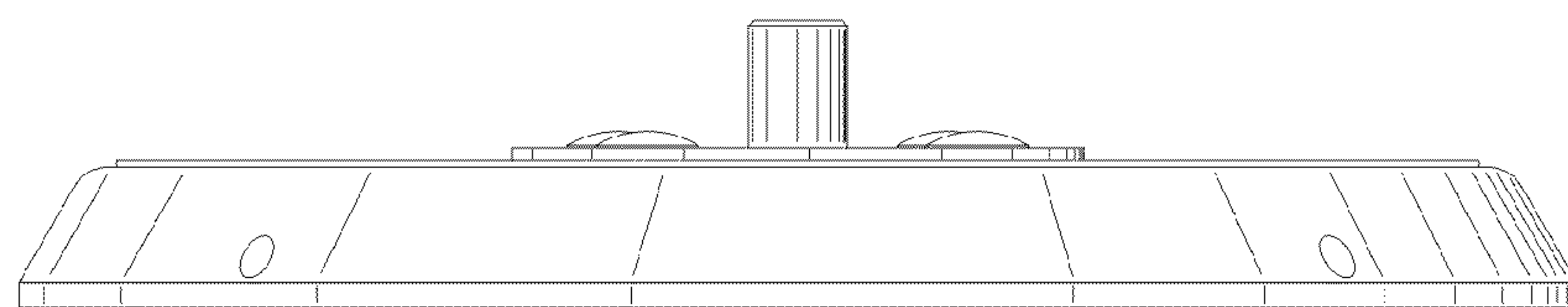


Fig. 5



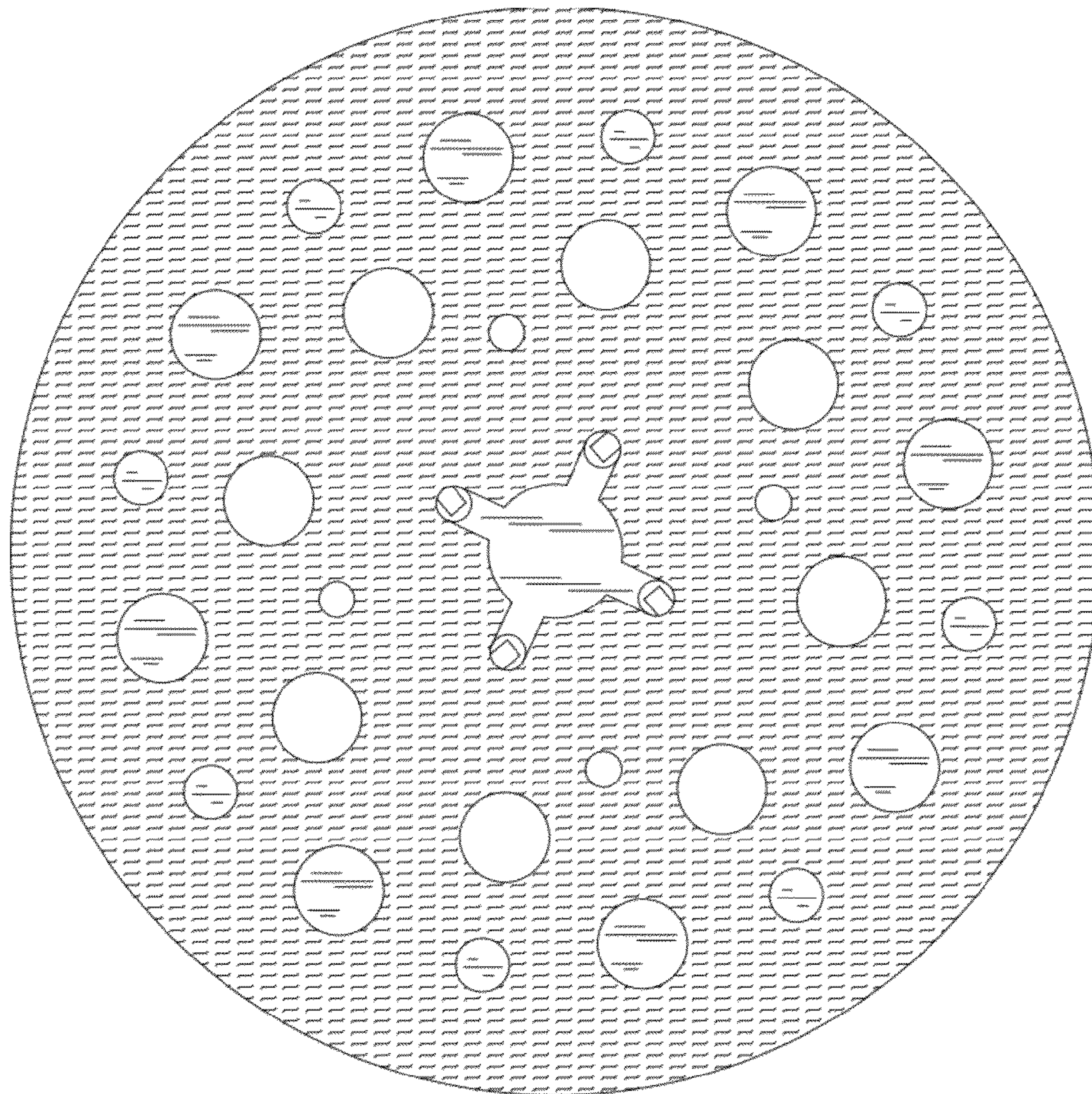


Fig. 6