



US00D740636S

(12) **United States Design Patent**
Koeniger

(10) **Patent No.:** **US D740,636 S**
(45) **Date of Patent:** **** Oct. 13, 2015**

- (54) **BREAKER**
- (71) Applicant: **Hilti Aktiengesellschaft, Schaan (LI)**
- (72) Inventor: **Tobias Koeniger, Bregenz (AT)**
- (73) Assignee: **Hilti Aktiengesellschaft, Schaan (LI)**
- (**) Term: **14 Years**
- (21) Appl. No.: **29/478,282**
- (22) Filed: **Jan. 3, 2014**
- (30) **Foreign Application Priority Data**
 - Jul. 5, 2013 (WO) DM/081 434
- (51) **LOC (10) CL.** **08-03**
- (52) **U.S. CL.**
USPC **D8/69**
- (58) **Field of Classification Search**
 - USPC D8/14.1, 61-70; 81/429, 454-456, 469, 81/489; 173/104, 114, 168-171, 178, 201, 173/211, 213, 217; 408/20, 124, 125, 234
 - CPC B25D 16/00; B25D 17/06; B23D 51/16; B25F 1/006

See application file for complete search history.

D595,101 S *	6/2009	Bast	D8/68
D604,583 S *	11/2009	Yamamoto et al.	D8/69
D610,478 S *	2/2010	Bast	D10/69
D691,011 S *	10/2013	Walz et al.	D8/69
2013/0025895 A1 *	1/2013	Friedrich	173/133
2014/0144658 A1 *	5/2014	Schmid et al.	173/90

FOREIGN PATENT DOCUMENTS

JP	2007001005 A *	1/2007	B25D 17/06
JP	2010247239 A *	11/2010	B25D 17/06
JP	2012143869 A *	8/2012	B25D 17/06

OTHER PUBLICATIONS

“Proven and improved. TE 70-AVR and TE 70-AVR-ATC Combihammers.” Hilti Products., Jan. 23, 2014 [online], [retrieved on Sep. 3, 2014]. Retrieved from the Internet <URL: <https://www.us.hilti.com/te-70-avr>>.*

(Continued)

Primary Examiner — Philip S Hyder
Assistant Examiner — Darlington Ly
(74) *Attorney, Agent, or Firm* — Crowell & Moring LLP

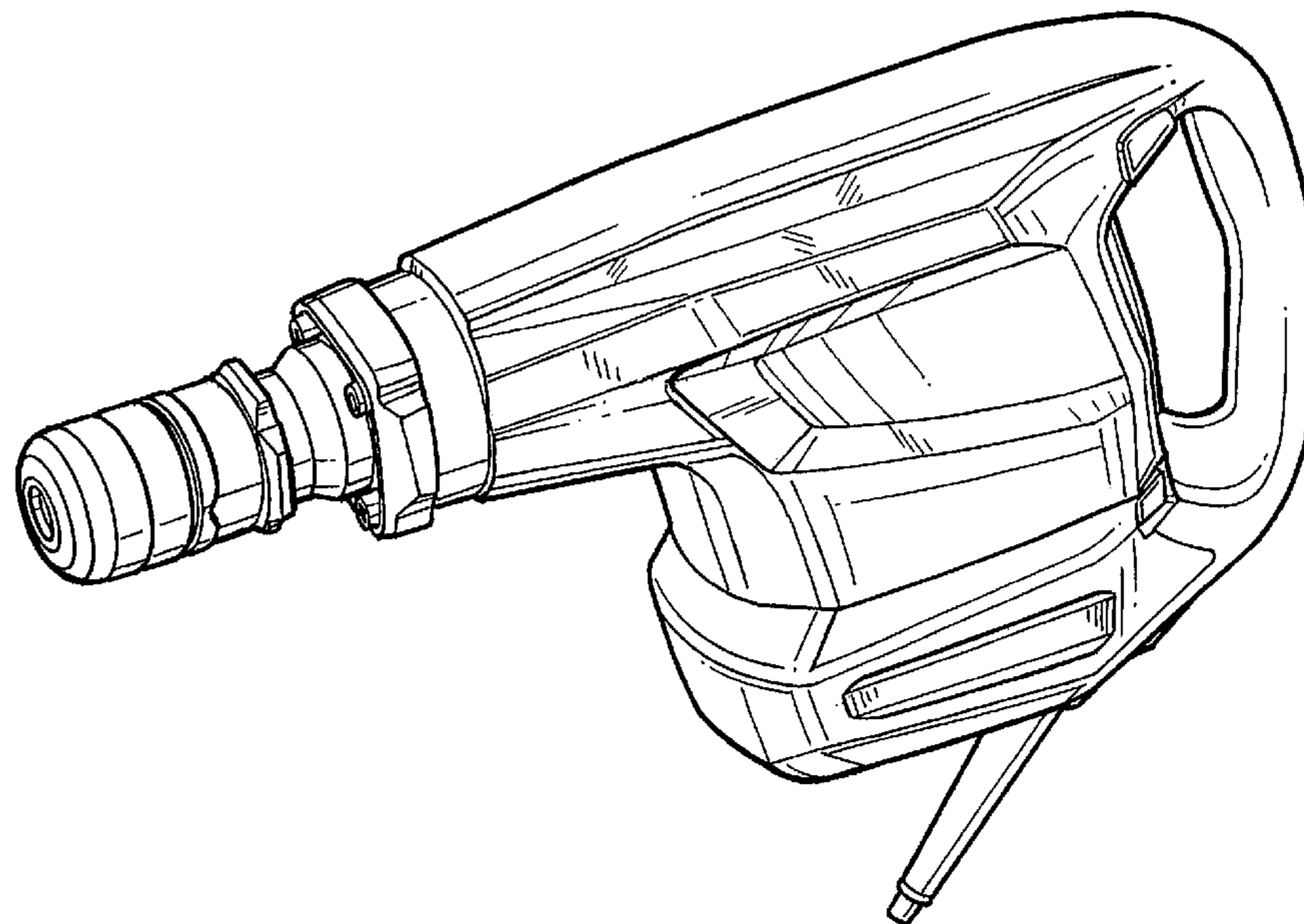
(57) **CLAIM**
The ornamental design for a breaker, as shown and described.

DESCRIPTION

FIG. 1 is a top, front, left perspective view of a breaker according to the design;
FIG. 2 is bottom, rear, right perspective view thereof;
FIG. 3 is a right side view thereof;
FIG. 4 is a left side view thereof;
FIG. 5 is a top view thereof;
FIG. 6 is a bottom view thereof;
FIG. 7 is a front view thereof; and,
FIG. 8 is a rear view thereof.

1 Claim, 6 Drawing Sheets

- (56) **References Cited**
 - U.S. PATENT DOCUMENTS
 - D491,438 S * 6/2004 Cheung et al. D8/68
 - D525,849 S * 8/2006 Hayakawa et al. D8/69
 - D555,451 S * 11/2007 Okuda et al. D8/69
 - D575,606 S * 8/2008 Okouchi et al. D8/69
 - D581,235 S * 11/2008 Aglassinger D8/69
 - D587,547 S * 3/2009 Aglassinger D8/69
 - D592,028 S * 5/2009 Taniguchi et al. D8/69



(56)

References Cited

OTHER PUBLICATIONS

“35 lb. Demolition Hammer, accepts 1½” Hex bits Model HM1307CB.” Makita Tools., Dec. 13, 2010 [online], [retrieved on Sep. 3, 2014]. Retrieved from the Internet <URL: <http://www.makitatools.com/en-us/Modules/Tools/ToolDetails.aspx?Name=HM1307CB>>.*

Dewalt TV. “Vibration—Chipping and Demolition Hammer Shocks—Dewalt Perform & Protect.” YouTube., Aug. 31, 2012 [online], [retrieved on Sep. 3, 2014]. Retrieved from the Internet <URL: https://www.youtube.com/watch?v=xu-ZoR_wkKU>.*

* cited by examiner

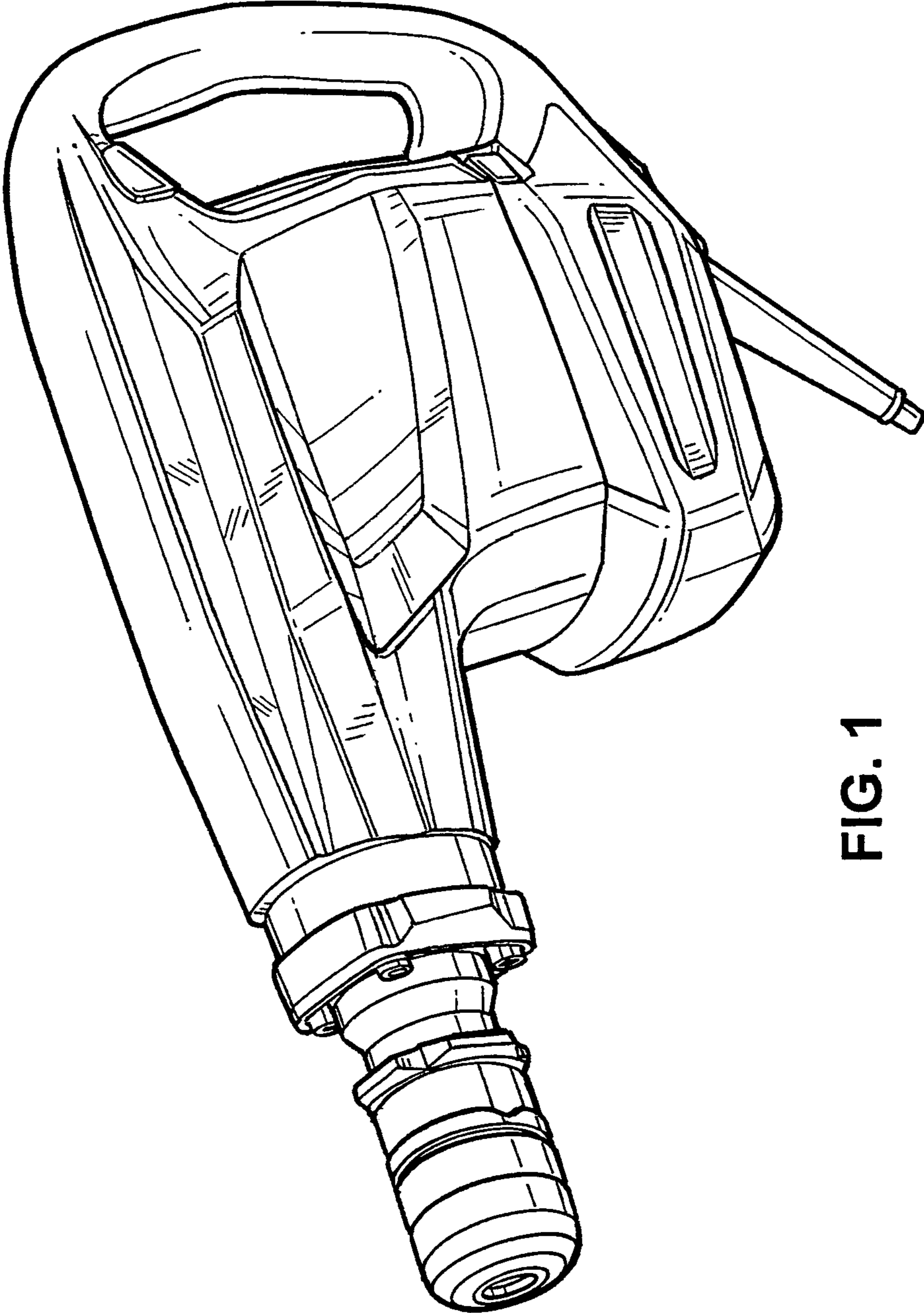


FIG. 1

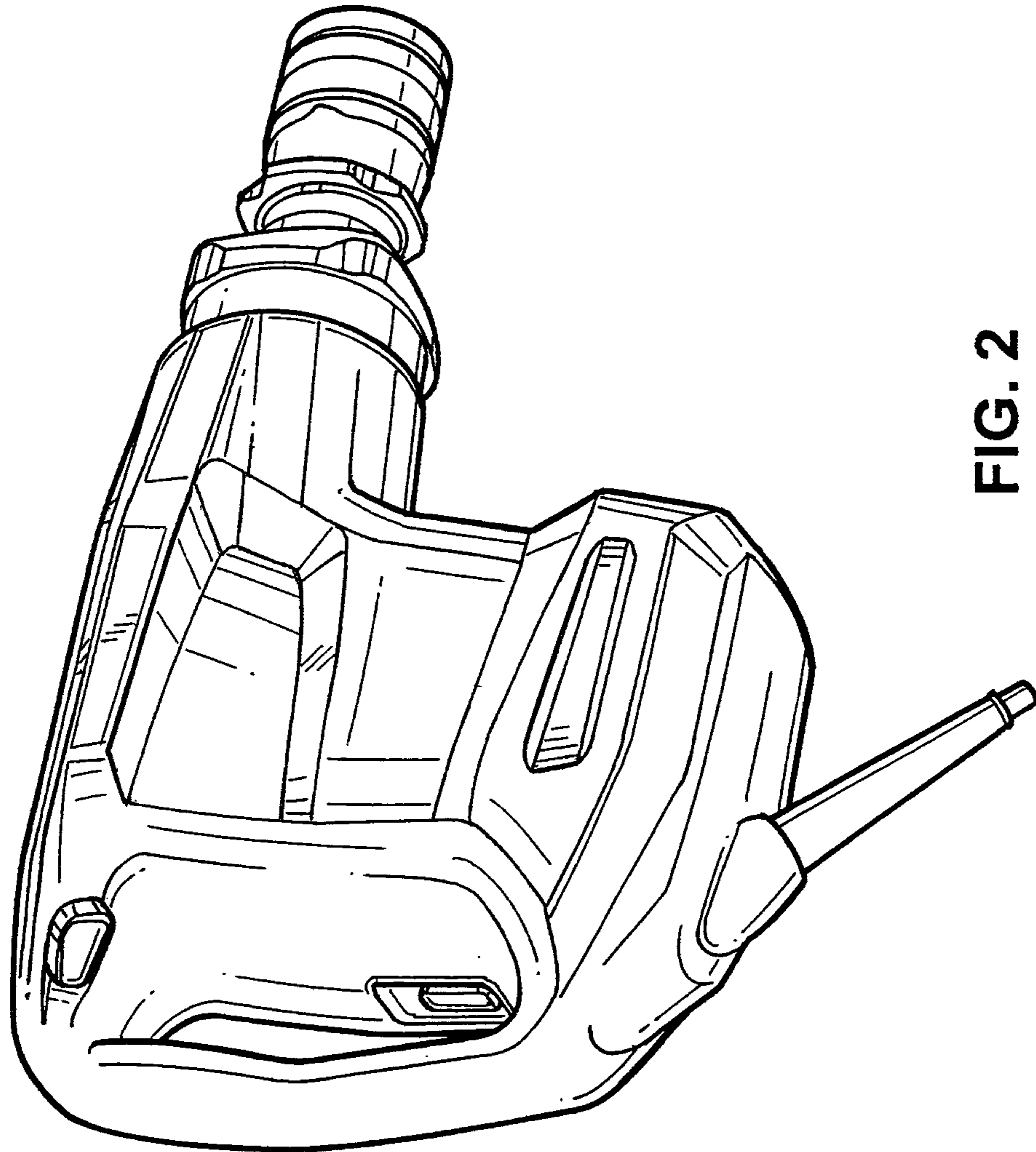


FIG. 2

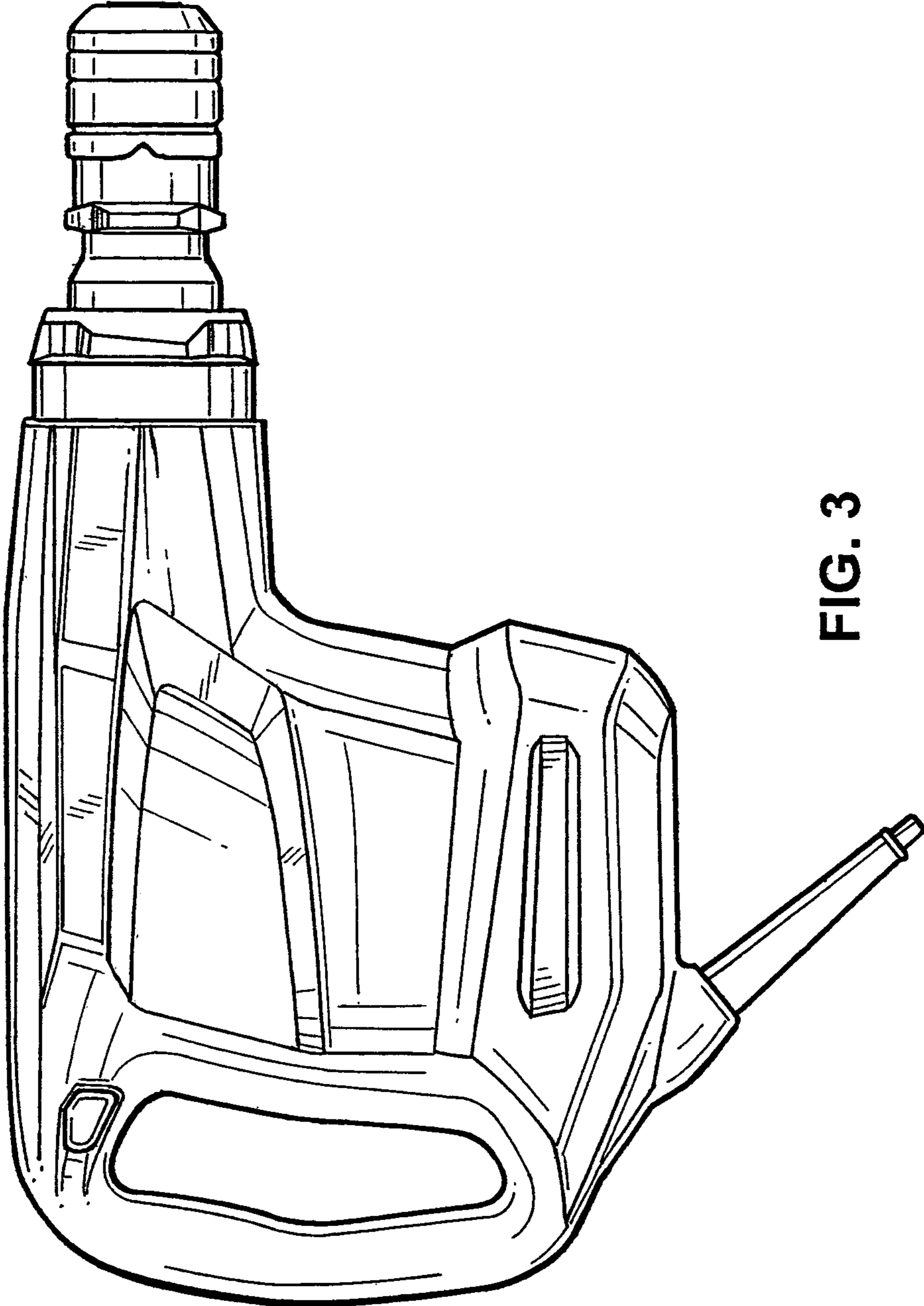


FIG. 3

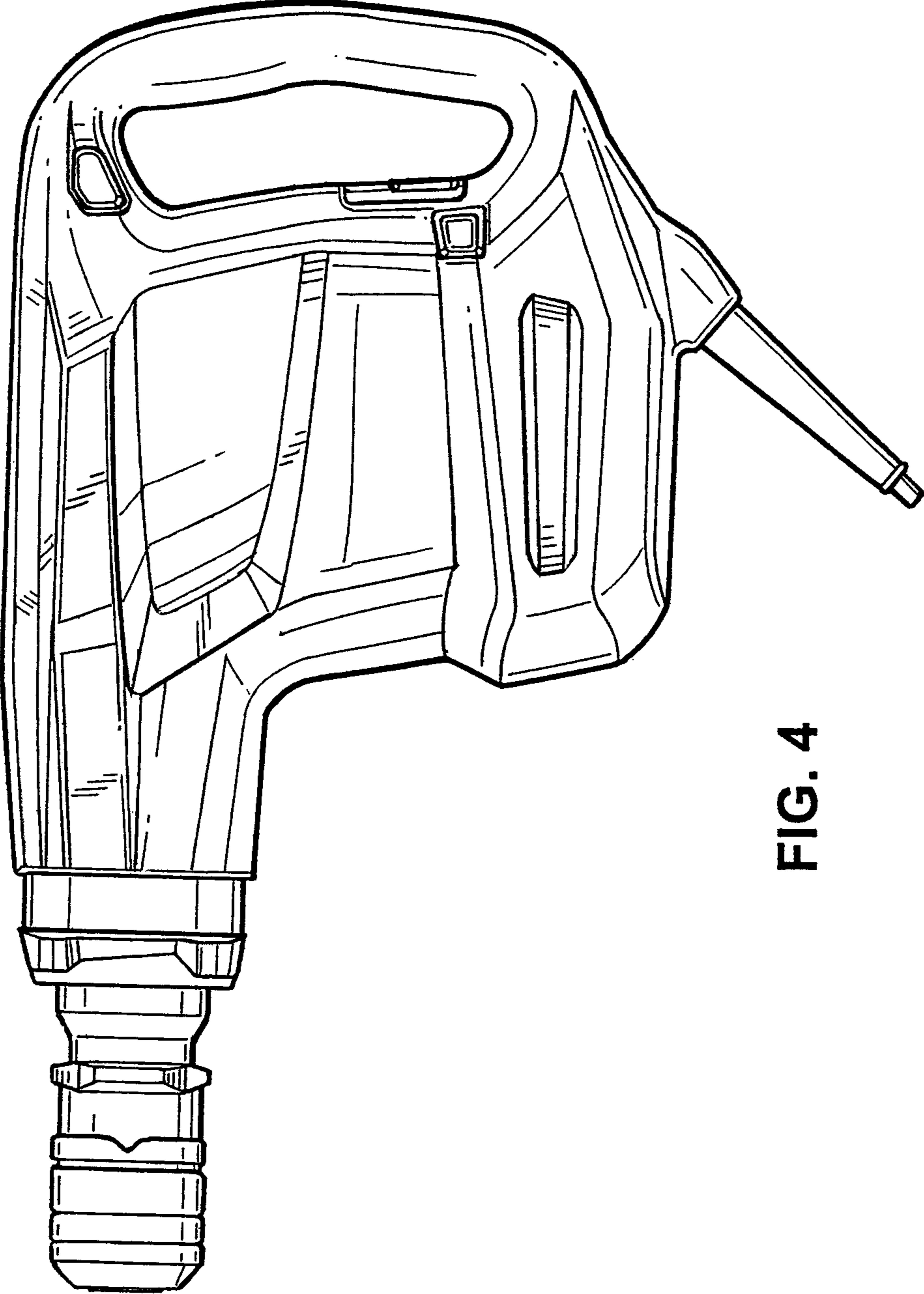


FIG. 4

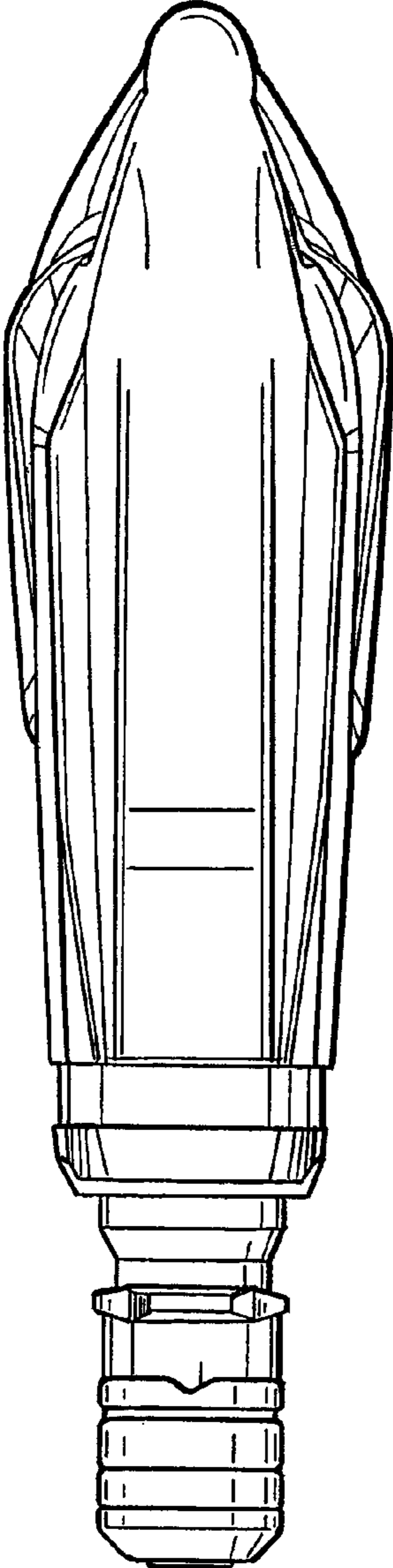


FIG. 5

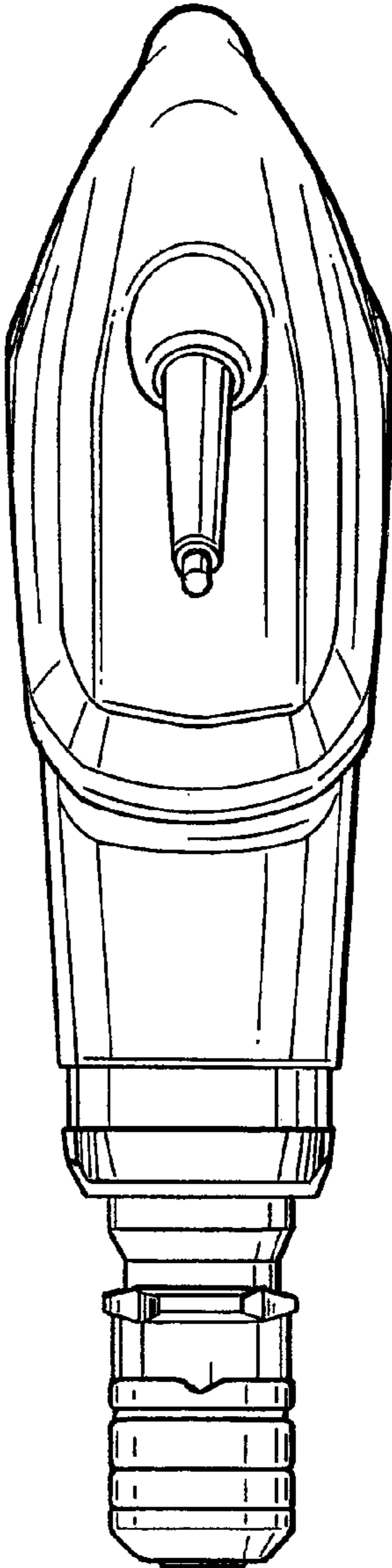


FIG. 6

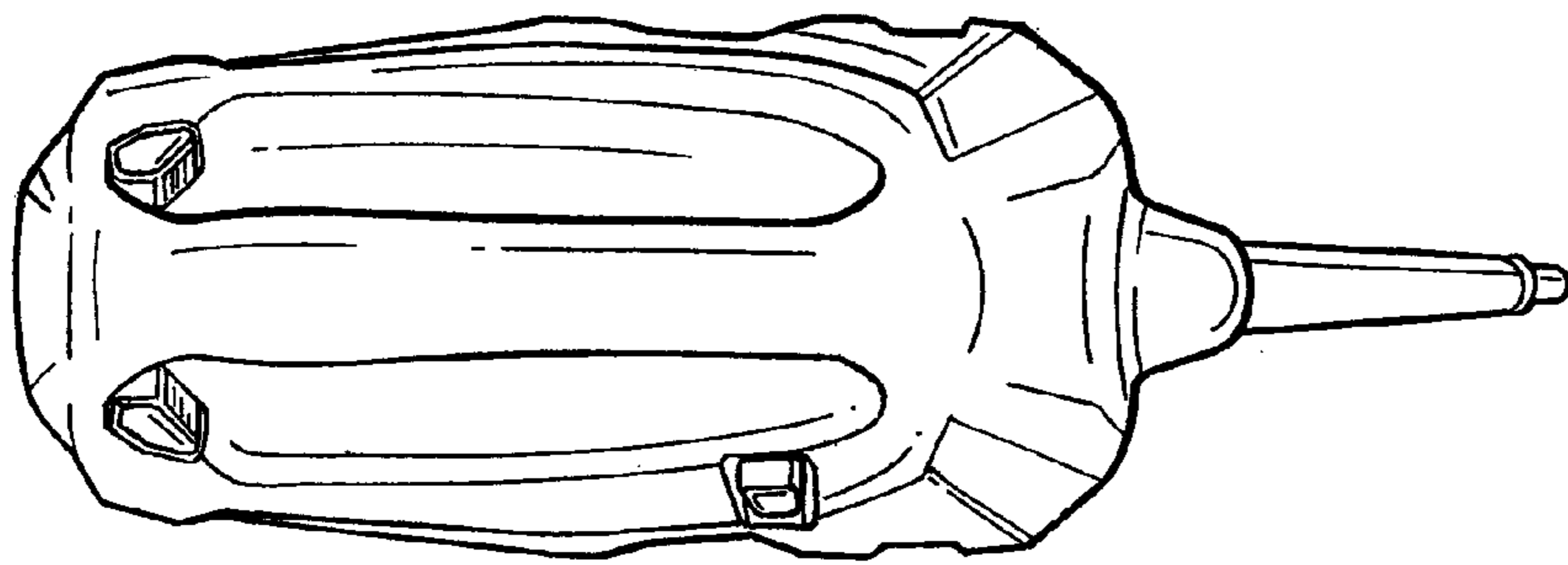


FIG. 8

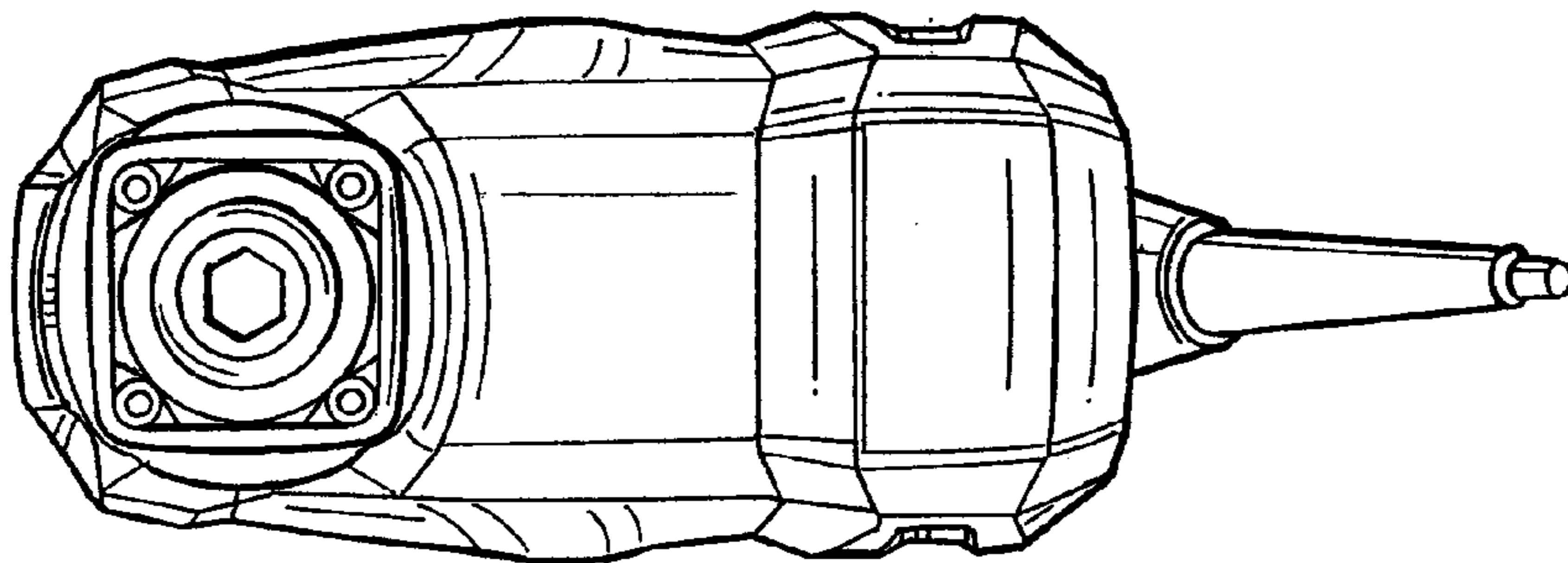


FIG. 7