



US00D740635S

(12) **United States Design Patent**
Liaw et al.

(10) **Patent No.:** **US D740,635 S**
(45) **Date of Patent:** **** Oct. 13, 2015**

(54) **PNEUMATIC MACHINE TOOL**

(71) Applicant: **X'POLE PRECISION TOOLS INC.**,
Taoyuan County (TW)
(72) Inventors: **Yi Jung Liaw**, Taoyuan County (TW);
Shao-Kuang Lu, Taoyuan County (TW);
Pen Yi Liao, Taoyuan County (TW)
(73) Assignee: **X'POLE PRECISION TOOLS INC.**,
Zhongli, Taoyuan County (TW)

(**) Term: **14 Years**

(21) Appl. No.: **29/495,631**

(22) Filed: **Jul. 2, 2014**

(51) **LOC (10) Cl.** **08-01**

(52) **U.S. Cl.**
USPC **D8/62**

(58) **Field of Classification Search**
USPC D32/15, 17, 19; D8/67, 62, 61; D4/102;
451/456, 451, 359, 358, 357, 356, 355,
451/354, 353, 351, 344; 310/50; 173/170
CPC B24B 29/00; B24B 5/00; B24D 5/00;
B24D 9/00; B25F 5/00

See application file for complete search history.

(56) **References Cited**

U.S. PATENT DOCUMENTS

5,595,531	A *	1/1997	Niemela et al.	451/357
6,343,982	B1 *	2/2002	Sun	451/357
6,780,094	B2 *	8/2004	Walker	451/356
7,270,598	B2 *	9/2007	Dutterer et al.	451/357
7,699,687	B2 *	4/2010	Nordstrom	451/359
8,435,096	B2 *	5/2013	Chen	451/7
D732,363	S *	6/2015	Finnas	D8/62
2009/0239453	A1 *	9/2009	Nordstrom	451/359

* cited by examiner

Primary Examiner — Austin Murphy

(74) *Attorney, Agent, or Firm* — Muncy, Geissler, Olds & Lowe, P.C.

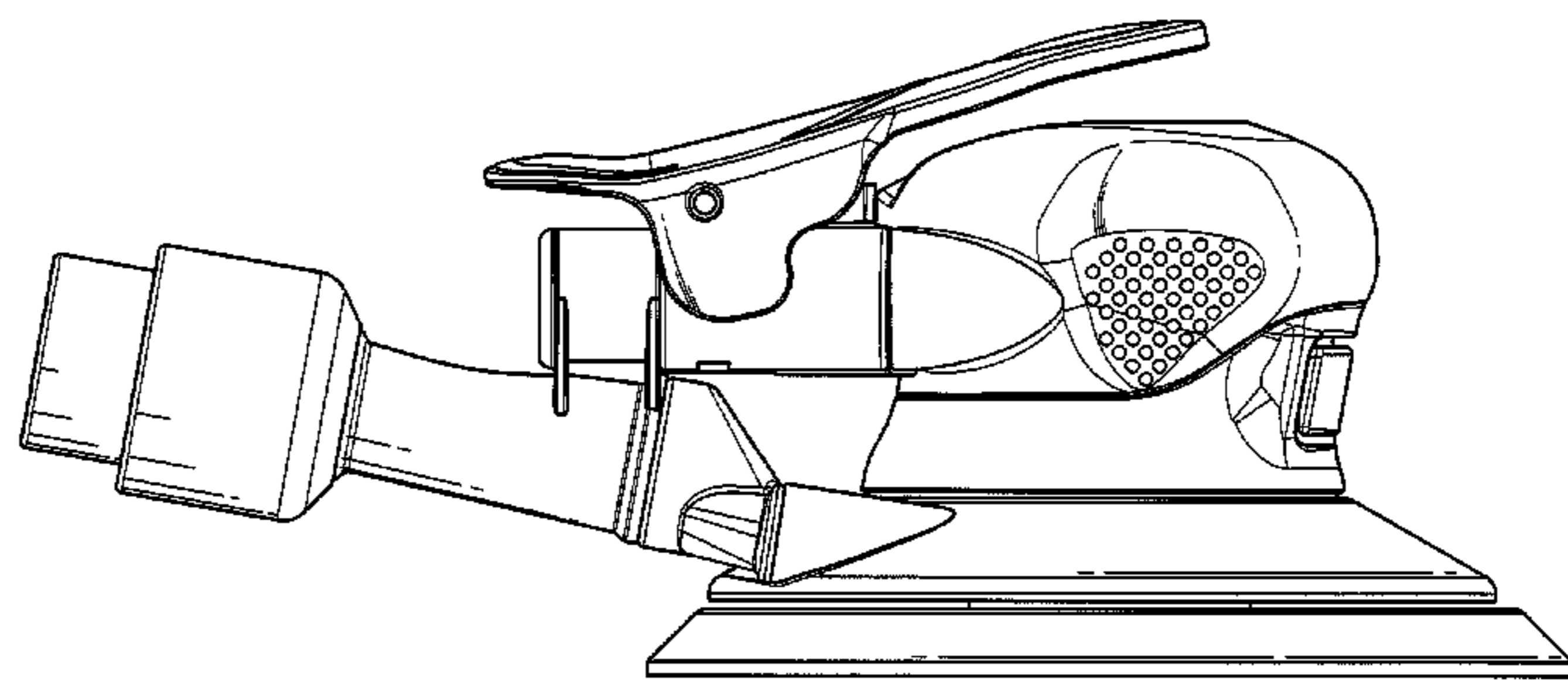
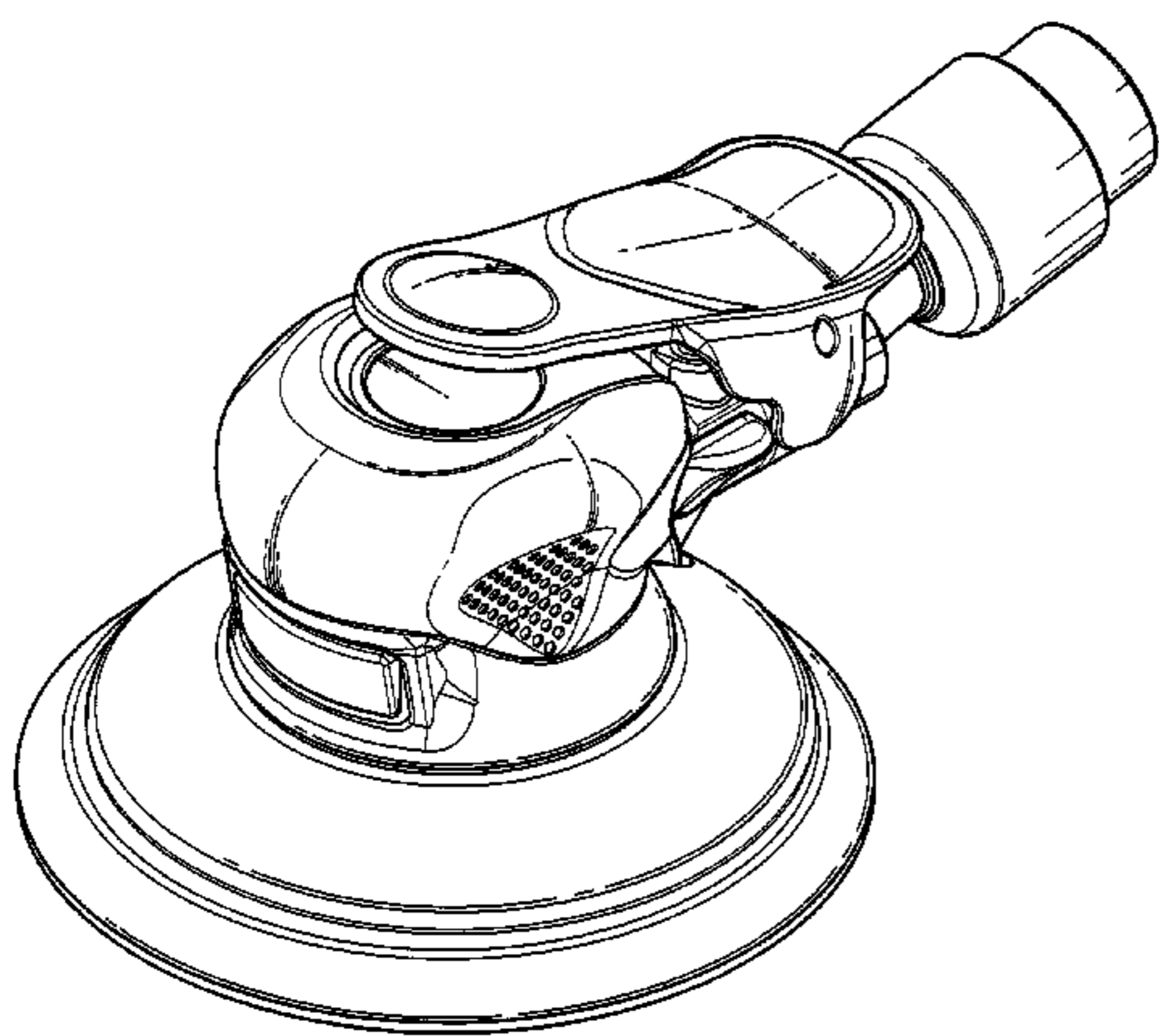
(57) **CLAIM**

The ornamental design for “pneumatic machine tool,” as shown and described.

DESCRIPTION

FIG. 1 is a perspective view of “pneumatic machine tool” showing my new design thereof;
FIG. 2 shows that a front side elevation view thereof;
FIG. 3 is a rear perspective view thereof;
FIG. 4 is a left side elevation view thereof;
FIG. 5 is a right side elevation view thereof;
FIG. 6 is a top view thereof;
FIG. 7 is a bottom plan view thereof;
FIG. 8 is a perspective view in another direction thereof; and,
FIG. 9 is a perspective view in the other direction view.

1 Claim, 8 Drawing Sheets



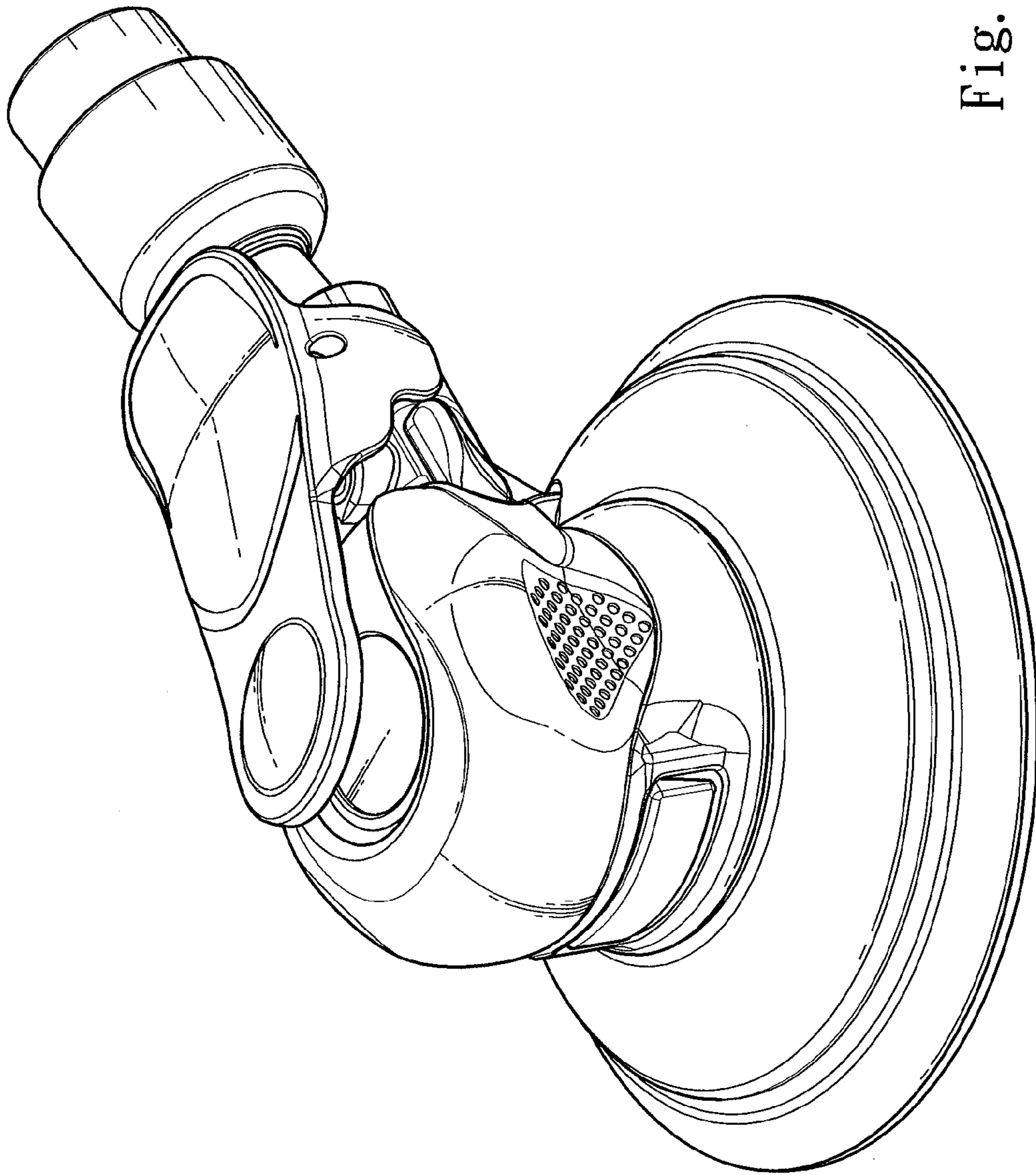


Fig. 1

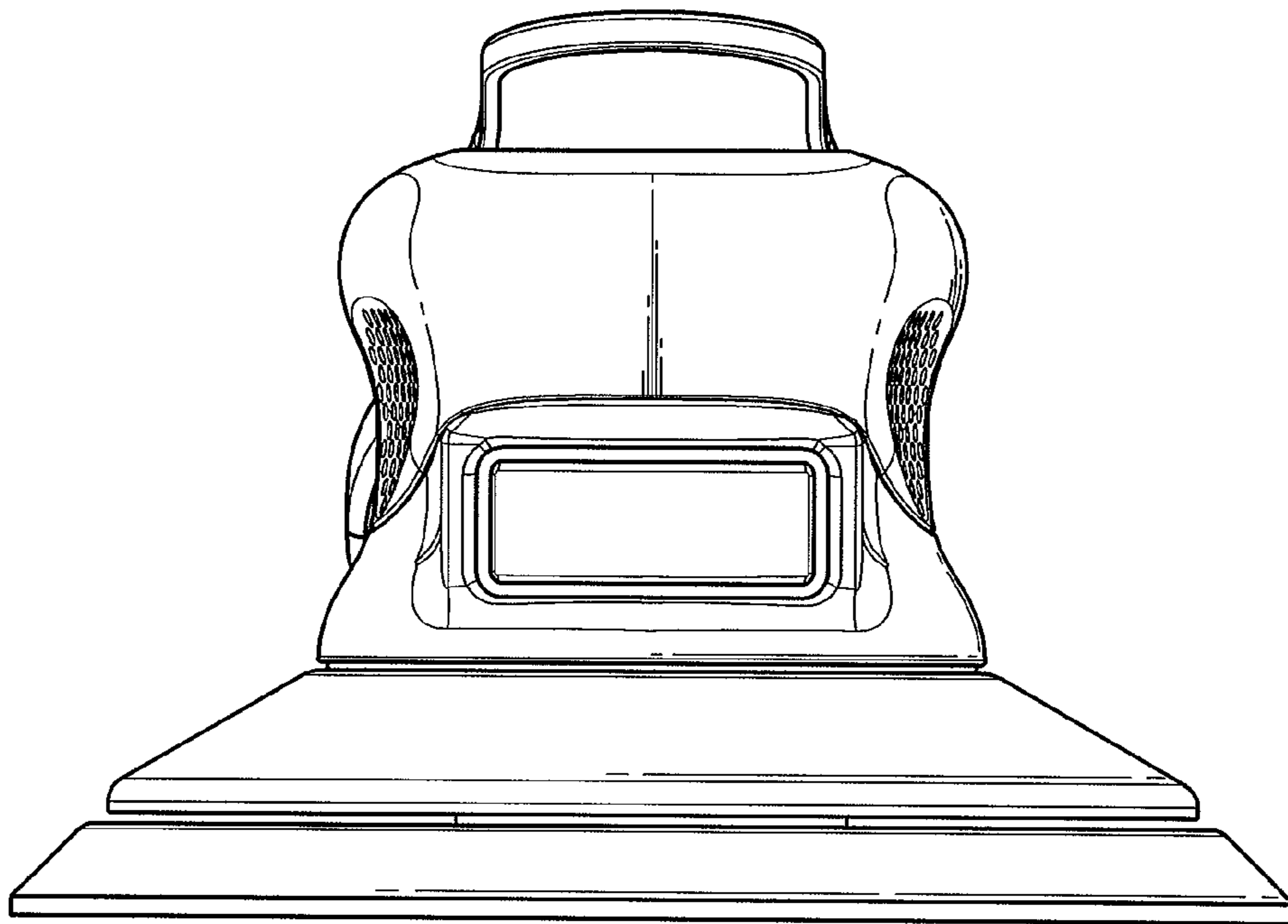


Fig. 2

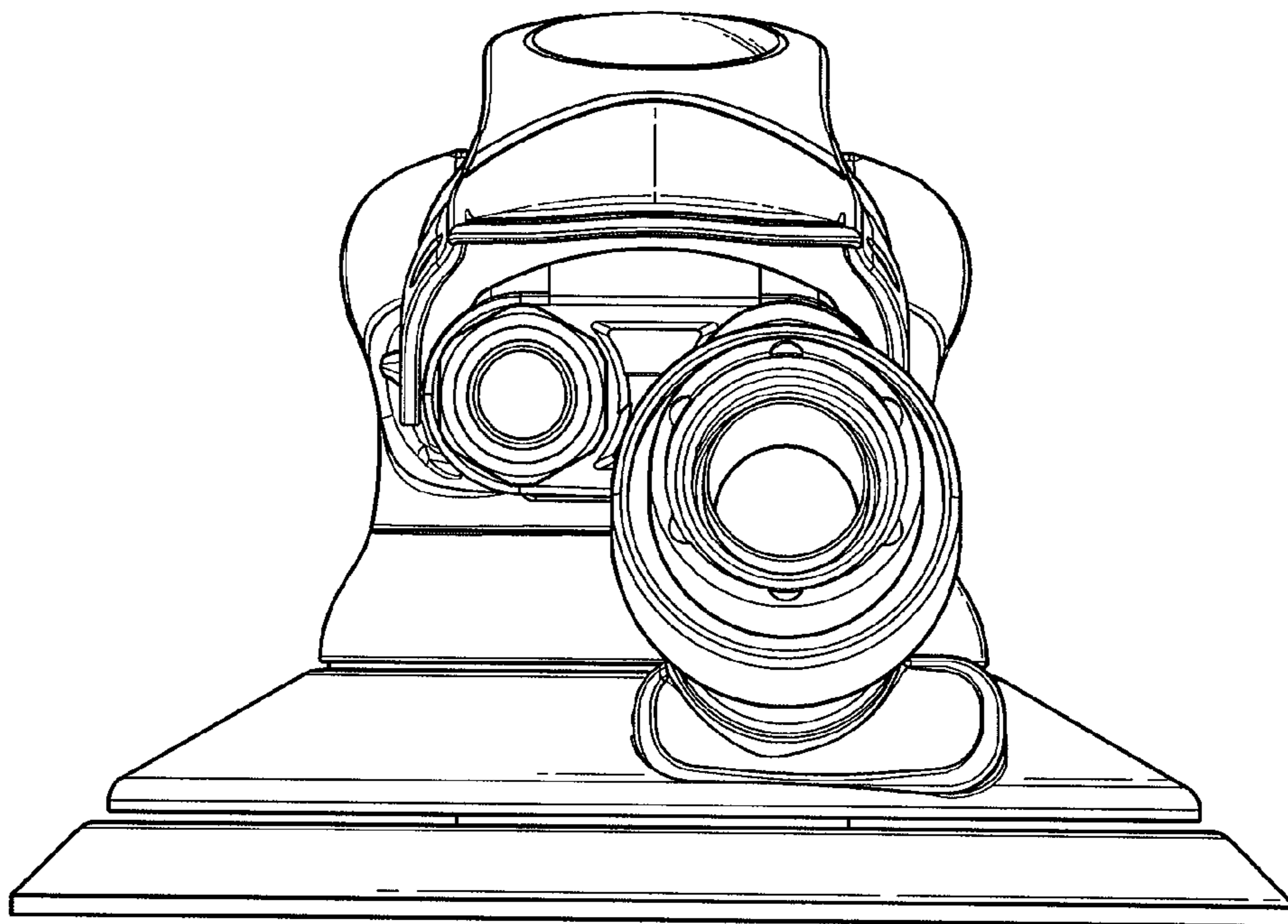


Fig. 3

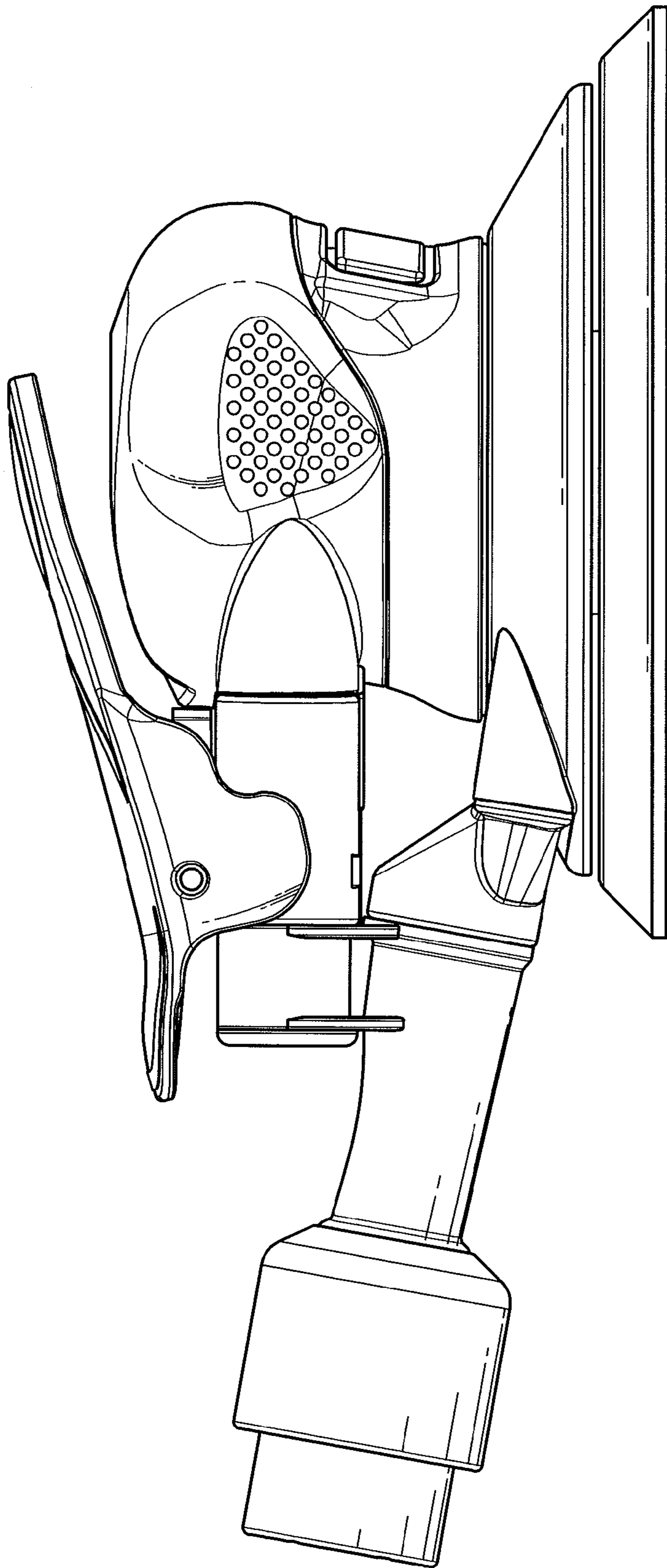


Fig. 4

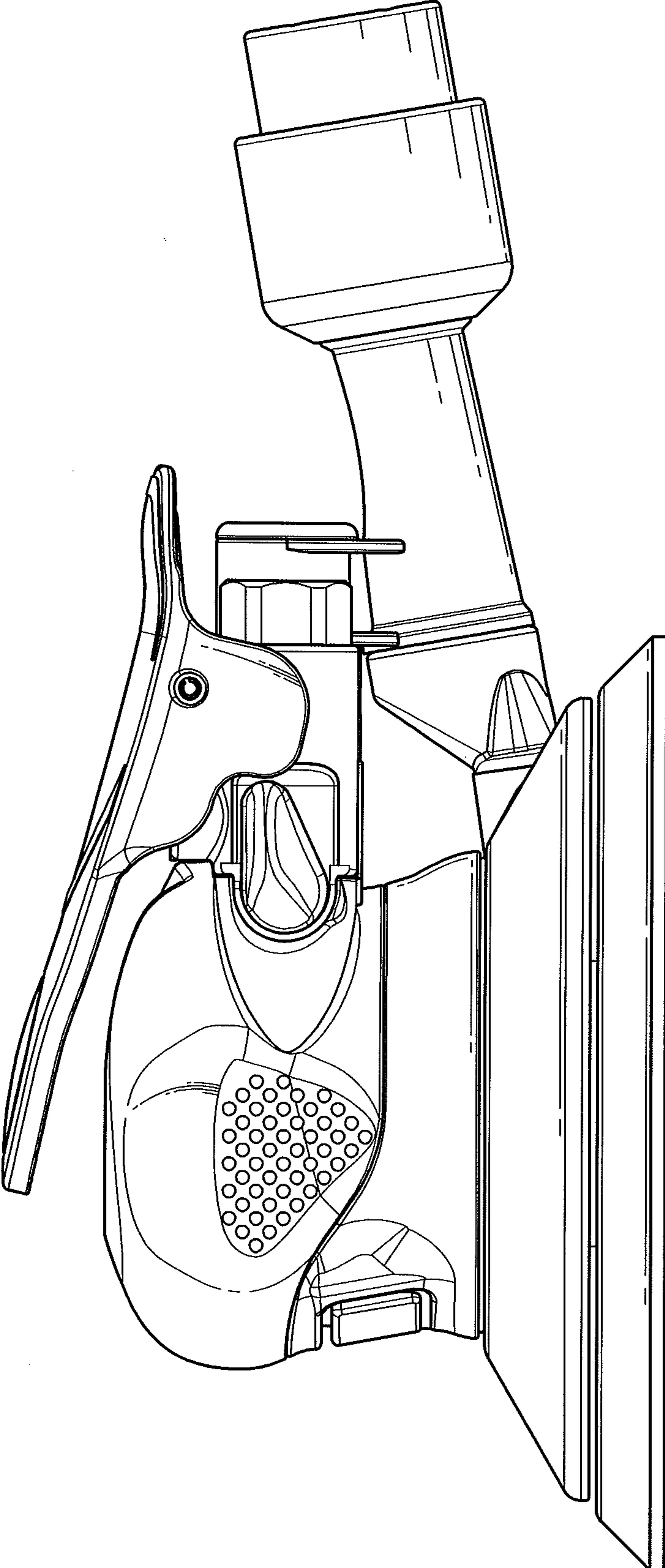


Fig. 5

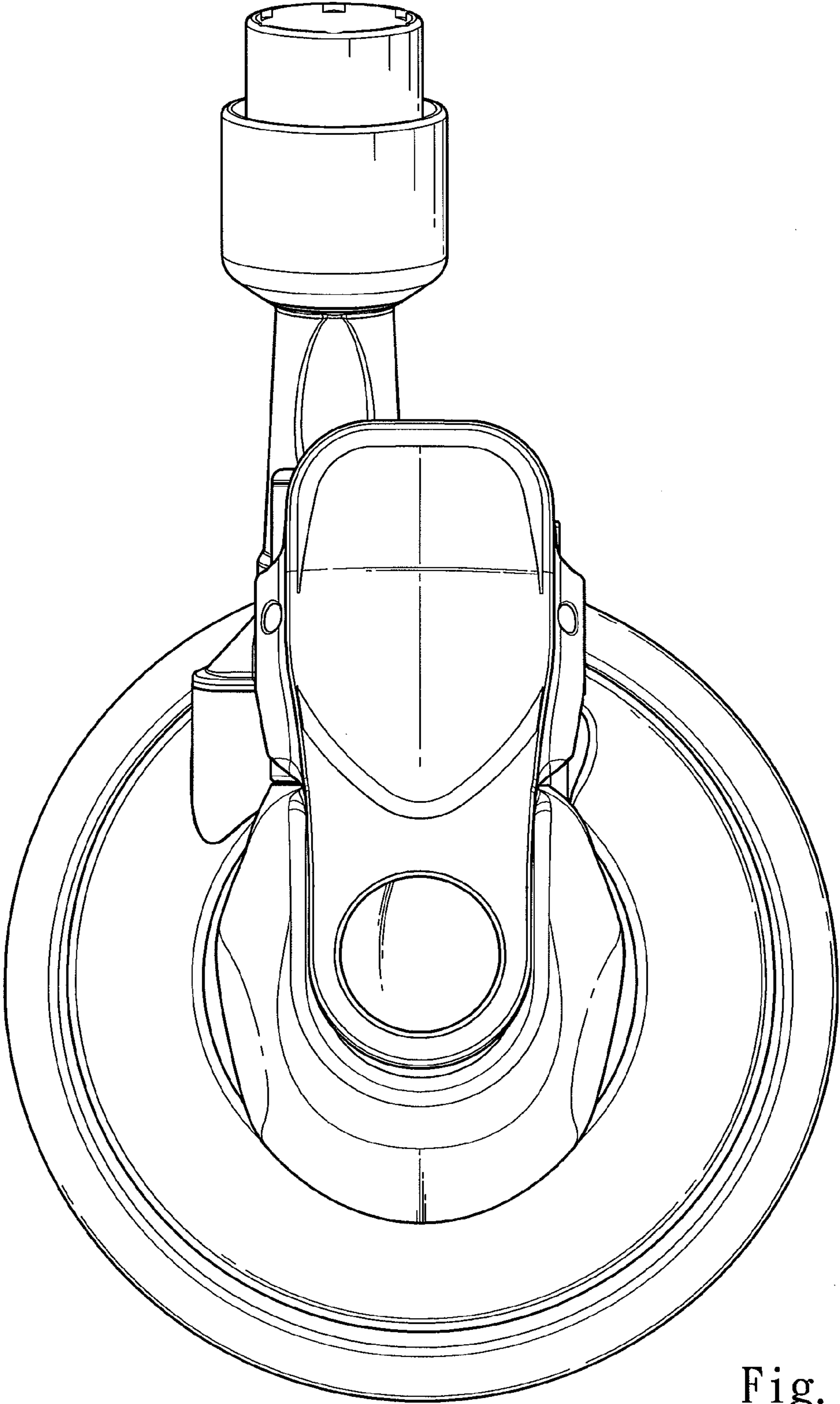


Fig. 6

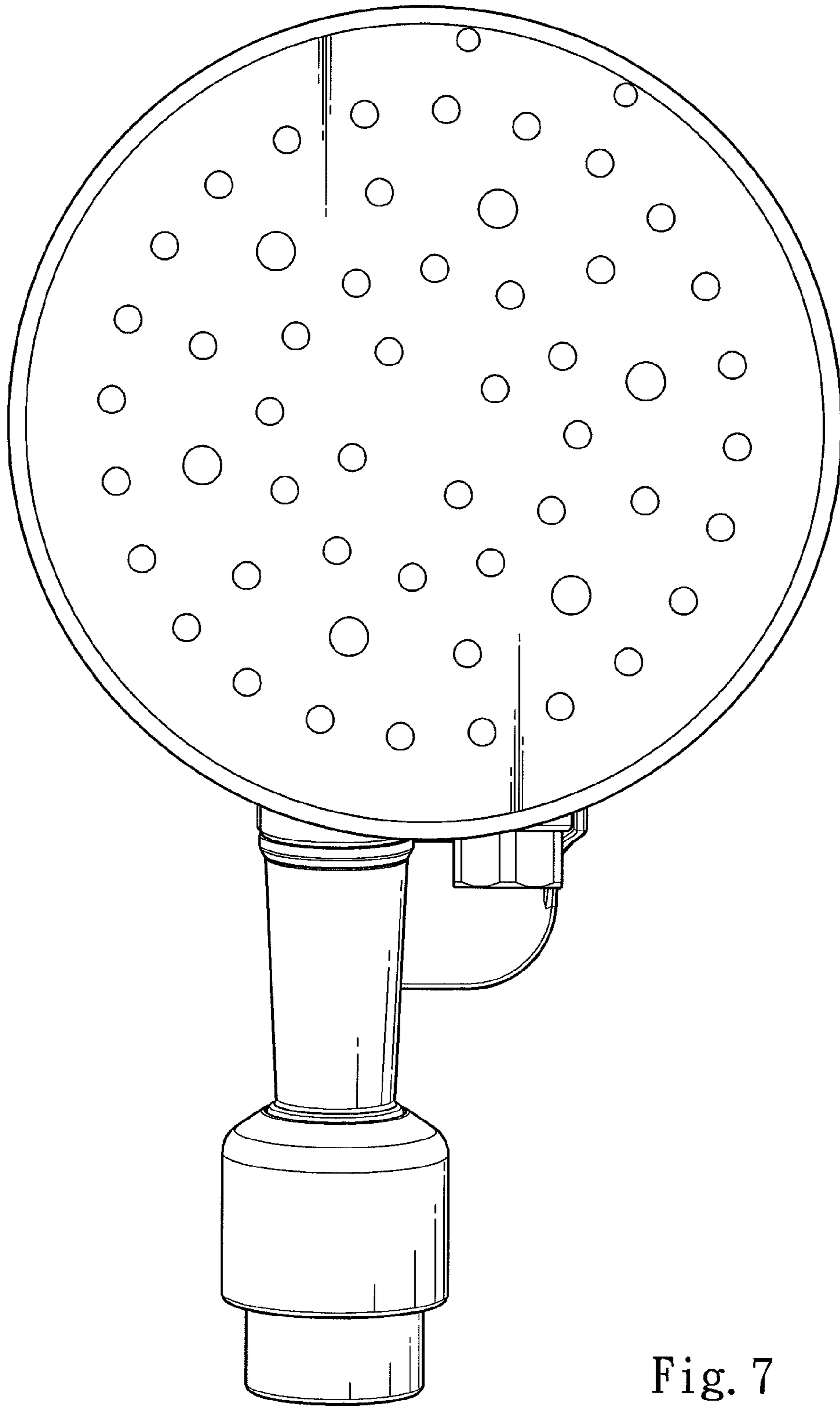


Fig. 7

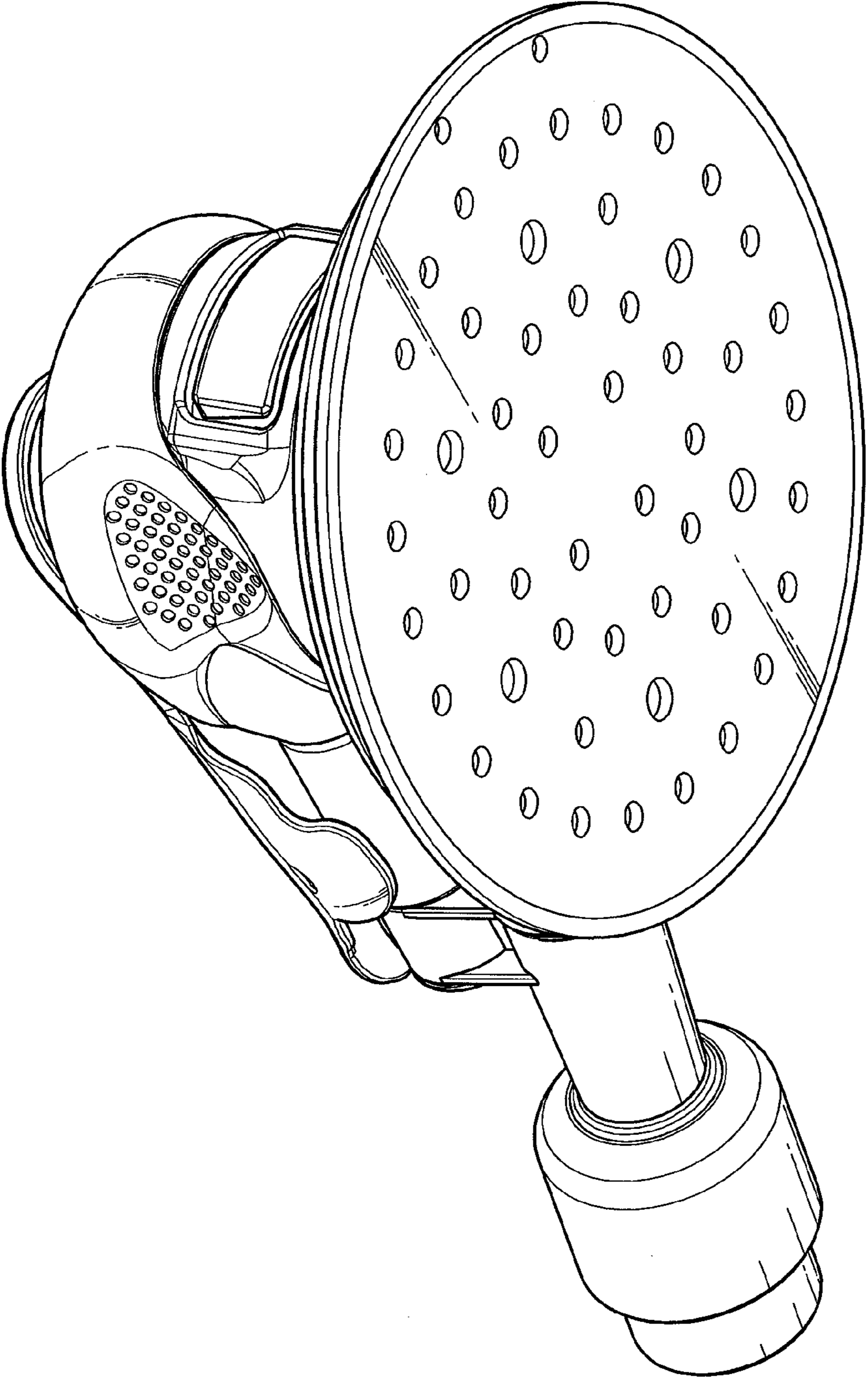


Fig. 8

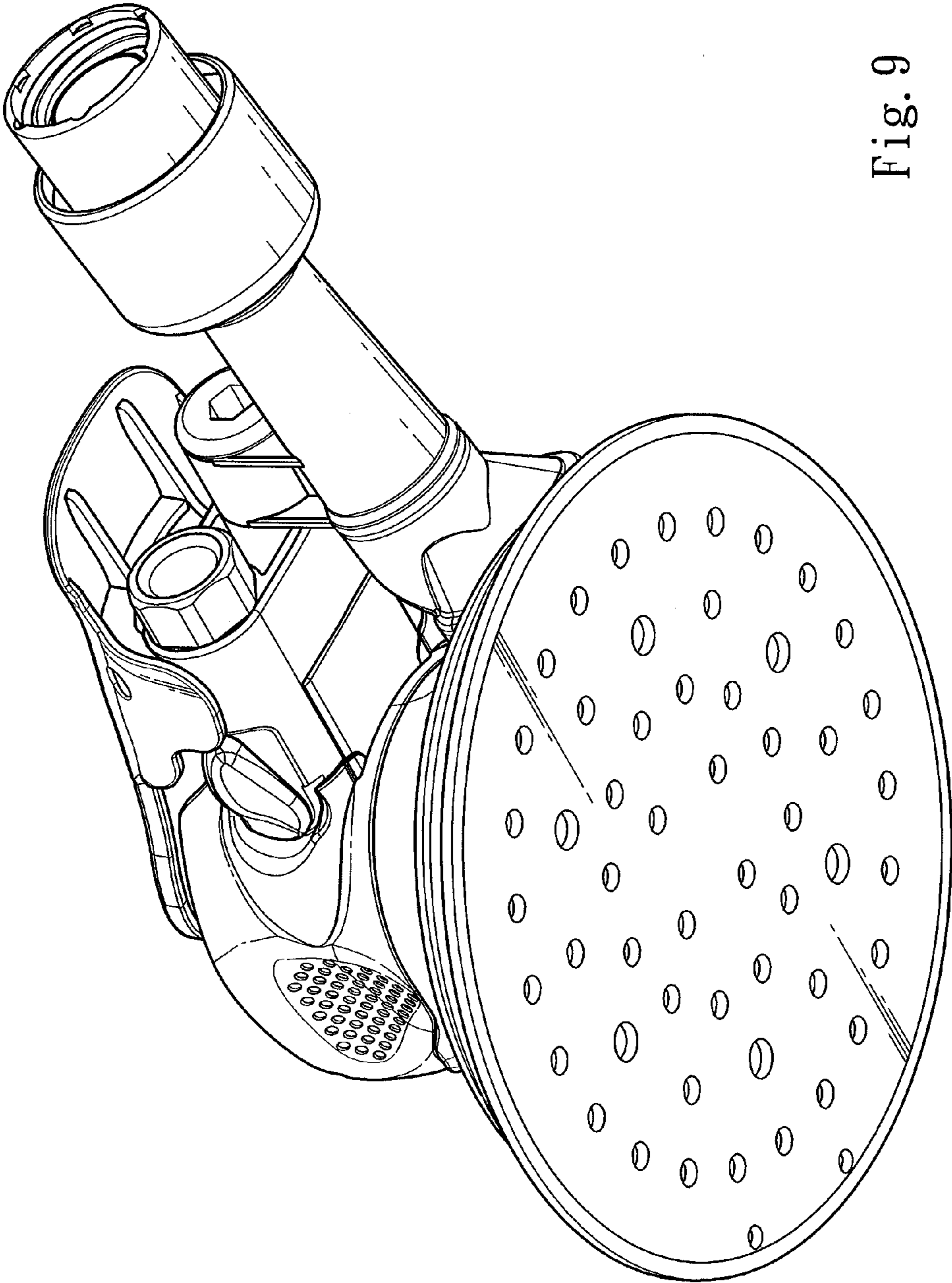


Fig. 9