



US00D740633S

(12) **United States Design Patent**
Descombes

(10) **Patent No.:** **US D740,633 S**

(45) **Date of Patent:** **** Oct. 13, 2015**

(54) **BOLT CUTTER**

(71) Applicant: **FISKARS FRANCE SAS**, Wissous (FR)

(72) Inventor: **Frédéric Descombes**, Sainte Hélène du Lac (FR)

(73) Assignee: **FISKARS FRANCE SAS**, Wissous (FR)

(**) Term: **14 Years**

(21) Appl. No.: **29/489,349**

(22) Filed: **Apr. 29, 2014**

(30) **Foreign Application Priority Data**

Oct. 31, 2013 (EM) 002336818-0002

(51) **LOC (10) Cl.** **08-05**

(52) **U.S. Cl.**
USPC **D8/52**

(58) **Field of Classification Search**
USPC D8/4, 5, 51-58, 71, 72, 105-107
CPC B26B 17/02; B26B 17/00; B26B 17/006;
B26B 13/16

See application file for complete search history.

(56) **References Cited**

U.S. PATENT DOCUMENTS

D50,029	S	*	12/1916	Porter	D8/58
1,960,666	A	*	5/1934	Hussey	30/177
3,340,611	A	*	9/1967	Lauck	30/124
3,372,478	A	*	3/1968	Wallace et al.	30/193
3,906,631	A	*	9/1975	Brunosson	30/267
5,862,597	A	*	1/1999	Juros	30/191
D416,458	S	*	11/1999	Kun-Meng	D8/52
D686,052	S	*	7/2013	Steiner	D8/52
2014/0317937	A1	*	10/2014	Descombes et al.	30/192

* cited by examiner

Primary Examiner — Deanna L Pratt

(74) *Attorney, Agent, or Firm* — Oliff PLC

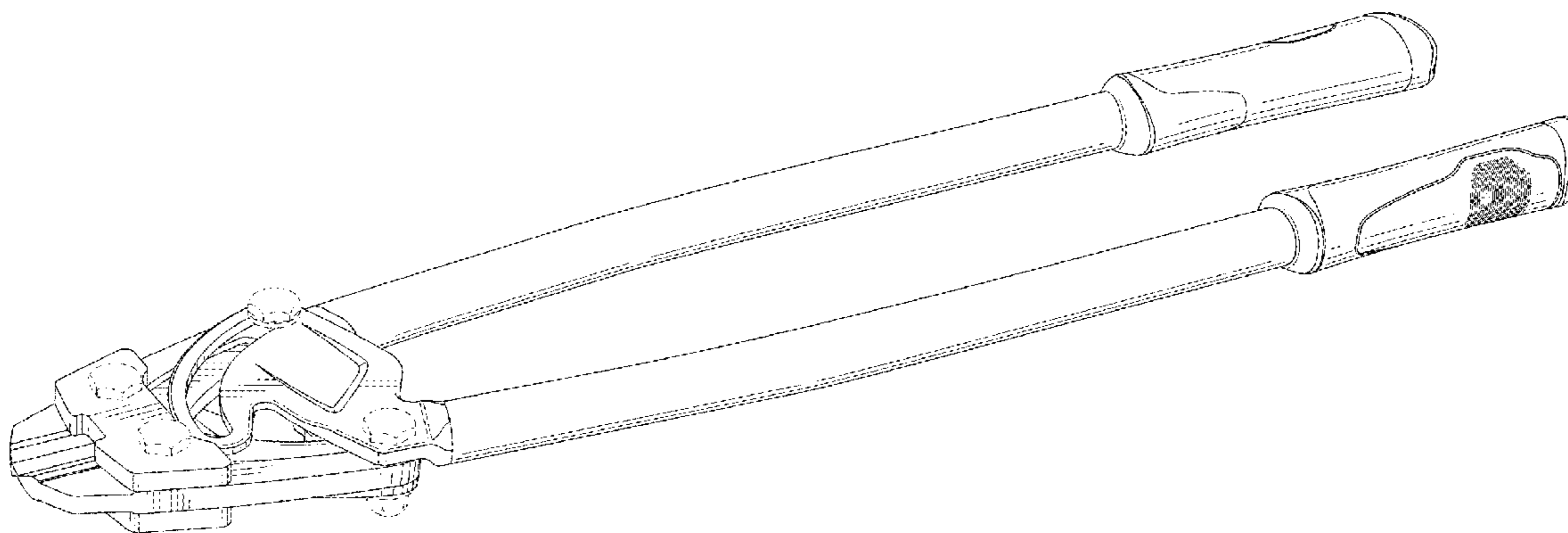
(57) **CLAIM**

The ornamental design for a bolt cutter, as shown and described.

DESCRIPTION

FIG. 1 is a perspective view of a bolt cutter;
FIG. 2 is a front view thereof;
FIG. 3 is a rear view thereof;
FIG. 4 is a right side view thereof;
FIG. 5 is a left side view thereof;
FIG. 6 is a top view thereof; and,
FIG. 7 is a bottom view thereof.
The broken lines in the drawings illustrate portions of the bolt cutter which form no part of the claimed design.

1 Claim, 4 Drawing Sheets



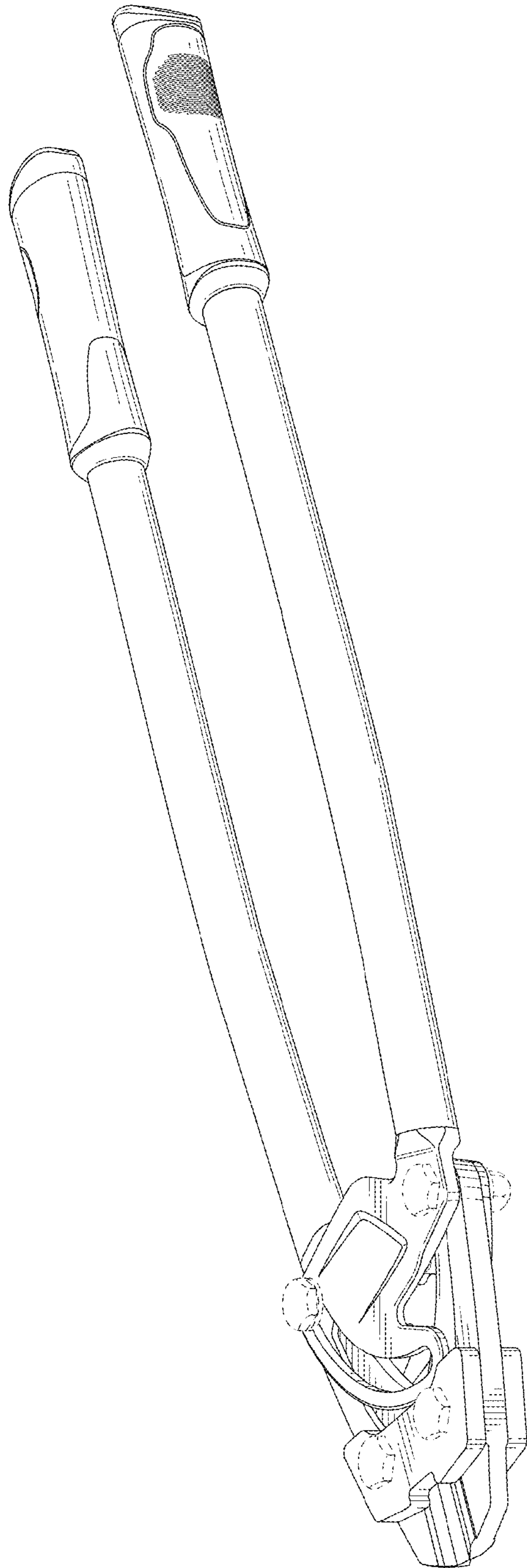


FIG. 1

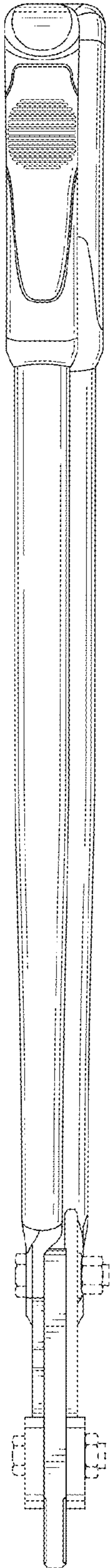


FIG. 2

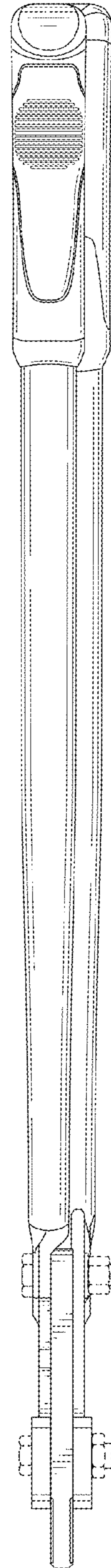


FIG. 3

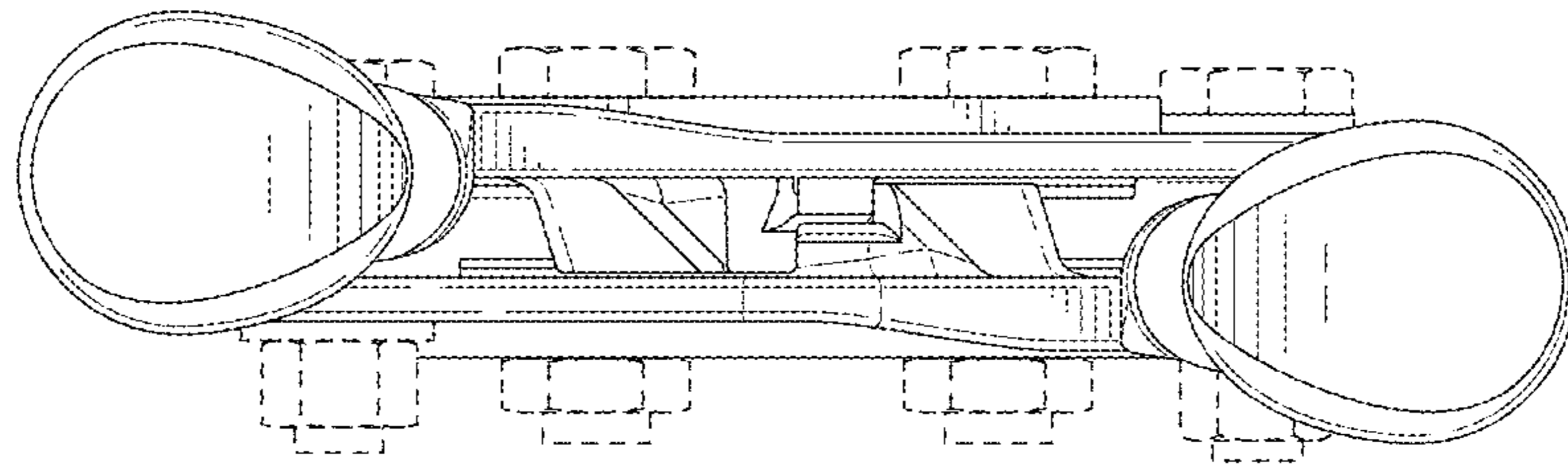


FIG. 4

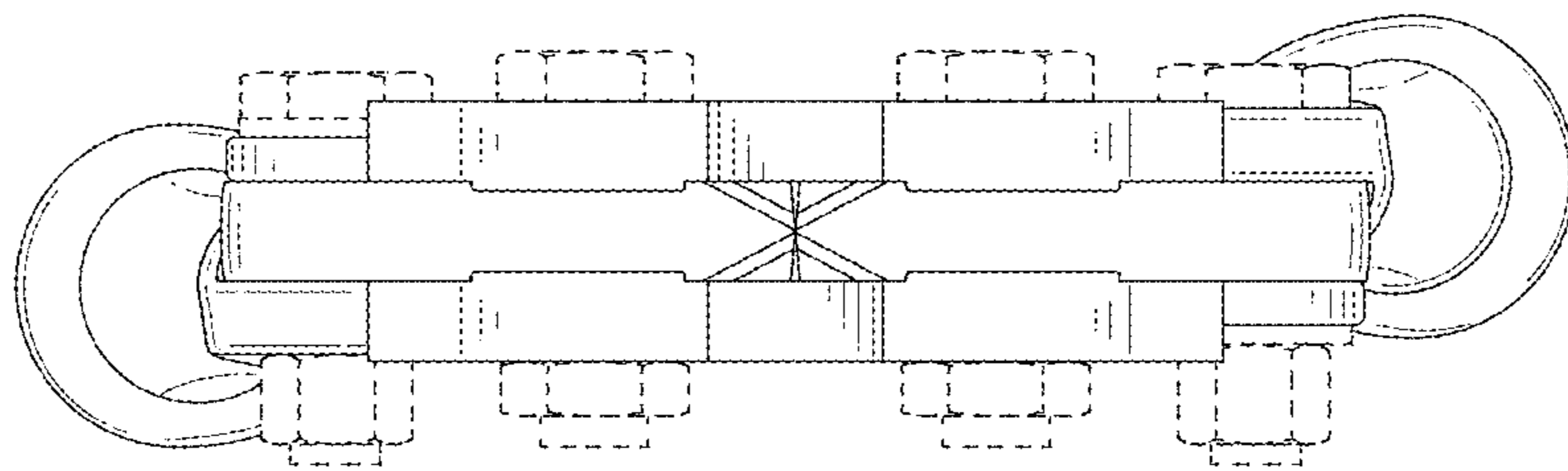


FIG. 5

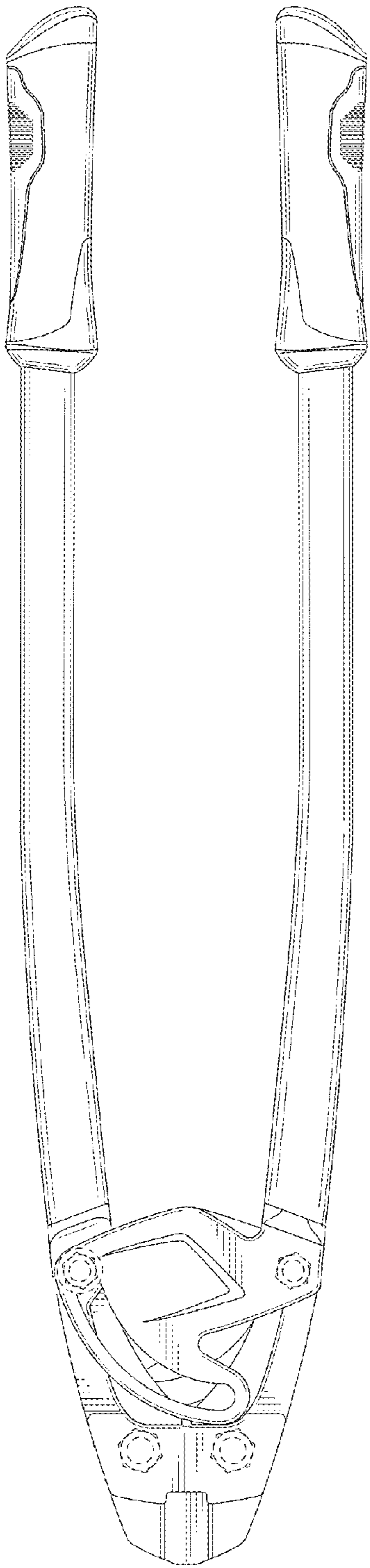


FIG. 6

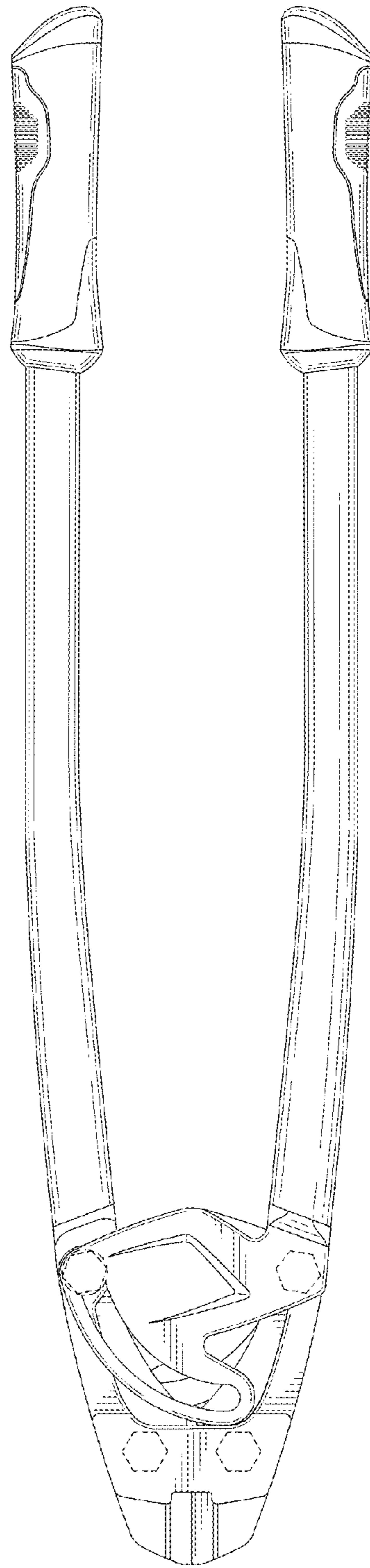


FIG. 7