



US00D740631S

(12) **United States Design Patent**  
**Bacon**

(10) **Patent No.:** **US D740,631 S**  
(45) **Date of Patent:** **\*\* Oct. 13, 2015**

(54) **WIRE JOINER, TENSIONER AND FASTENING DEVICE**  
(71) Applicant: **Gripple Limited**, Sheffield (GB)  
(72) Inventor: **Matthew Bacon**, Sheffield (GB)  
(73) Assignee: **Gripple Limited**, Sheffield (GB)  
(\*\*) Term: **14 Years**

D574,701 S \* 8/2008 Clarke ..... D8/383  
D597,824 S \* 8/2009 Wang ..... D8/356  
D639,151 S \* 6/2011 Giemza ..... D8/383  
D650,260 S \* 12/2011 Petzl ..... D8/356  
D659,524 S \* 5/2012 Kawaguchi ..... D8/383

(21) Appl. No.: **29/457,612**  
(22) Filed: **Jun. 11, 2013**

FOREIGN PATENT DOCUMENTS

GB 2 322 408 A 8/1998  
GB 2 415 012 A 12/2005  
WO 97/36123 A1 10/1997  
WO 20101019638 A2 2/2010

(30) **Foreign Application Priority Data**

May 24, 2013 (EM) ..... 002243147

(51) **LOC (10) Cl.** ..... **08-05**

(52) **U.S. Cl.**  
USPC ..... **D8/44**

(58) **Field of Classification Search**  
USPC ..... D8/358, 359, 19, 45, 371, 373, 44;  
242/395, 405.3, 118.7, 542.4, 160.4,  
242/366, 400, 370; 137/355.27, 355.2;  
D14/484, 203.1, 167; D3/24; D15/16;  
D12/501, 204; D22/14; D9/415, 419,  
D9/455; 239/198; D10/61, 62  
CPC ..... A01G 17/04; A01G 17/06; A01K 91/03;  
A01K 91/047; A01K 97/00

See application file for complete search history.

OTHER PUBLICATIONS

International Search Report which issued in connection with corresponding International Patent Application No. PCT/GB2012/000429 on Aug. 31, 2012.

\* cited by examiner

*Primary Examiner* — Robert M Spear

*Assistant Examiner* — Eliza Bennett-Hattan

(74) *Attorney, Agent, or Firm* — James R. Foley; Clark Hill PLC

(57) **CLAIM**

The ornamental design for a wire joiner, tensioner and fastening device, as shown and described.

**DESCRIPTION**

FIG. 1 is a front view of the wire joiner, tensioner and fastening device;

FIG. 2 is a back view thereof;

FIG. 3 is a top view thereof;

FIG. 4 is a bottom view thereof;

FIG. 5 is a right side view thereof;

FIG. 6 is a left side view thereof; and,

FIG. 7 is an isometric view thereof.

(56) **References Cited**

U.S. PATENT DOCUMENTS

5,784,979 A 7/1998 Nelson, III  
7,111,572 B1 9/2006 Yang  
7,302,740 B1 12/2007 Stone et al.  
D567,641 S \* 4/2008 Clarke ..... D8/383  
D568,730 S \* 5/2008 Clarke ..... D8/383  
D572,099 S \* 7/2008 Fontaine et al. .... D8/44

**1 Claim, 6 Drawing Sheets**

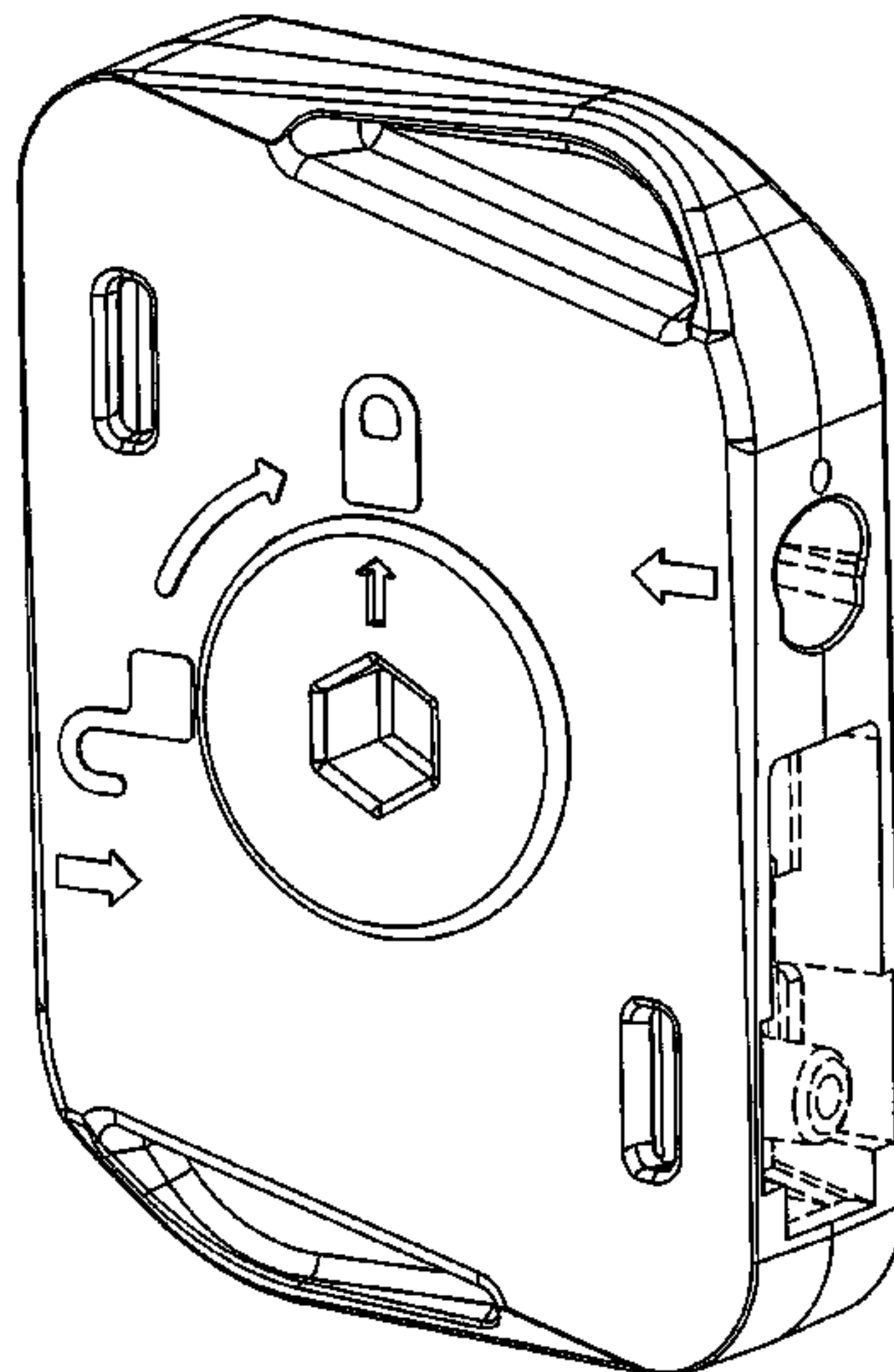


FIG. 1

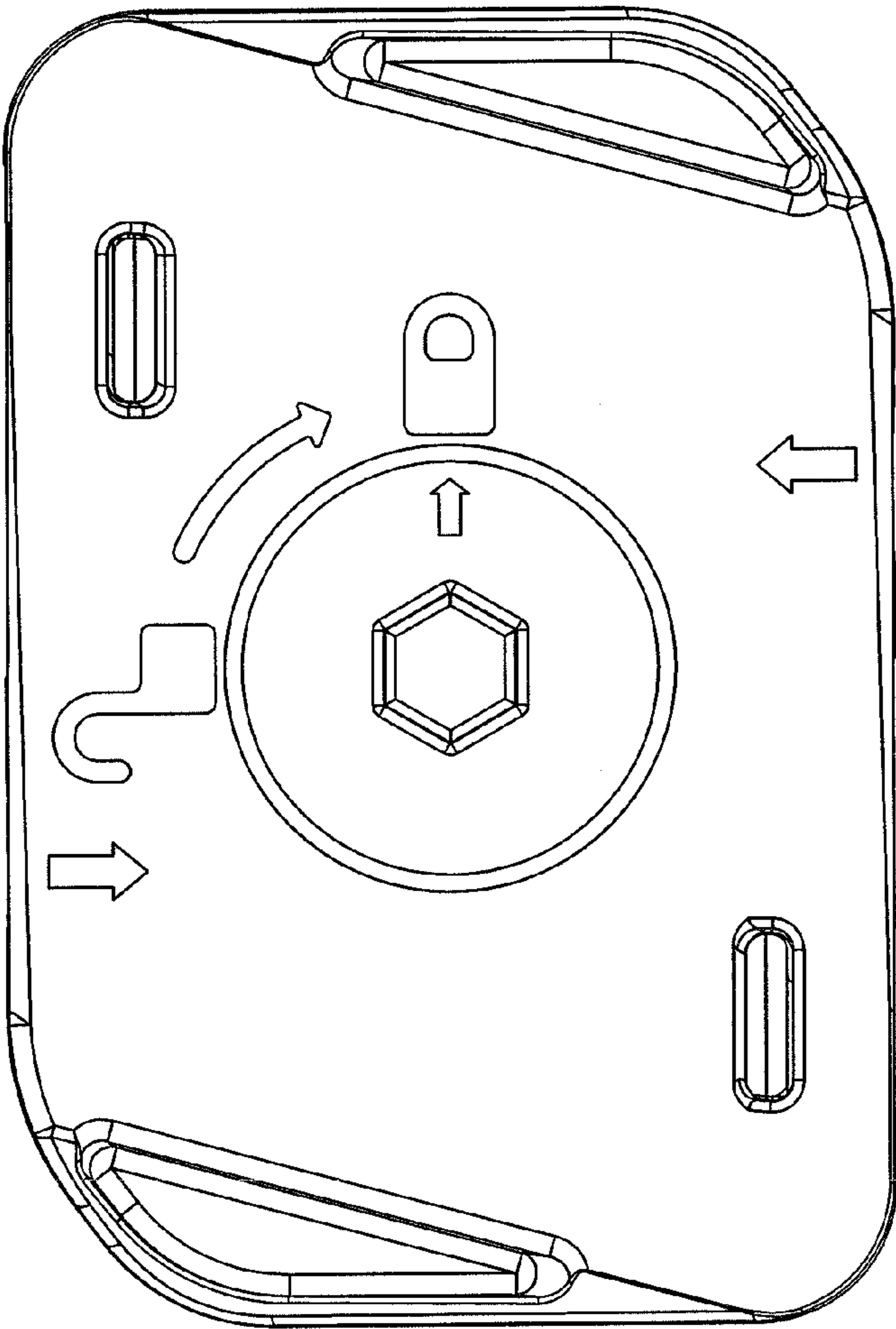


FIG. 2

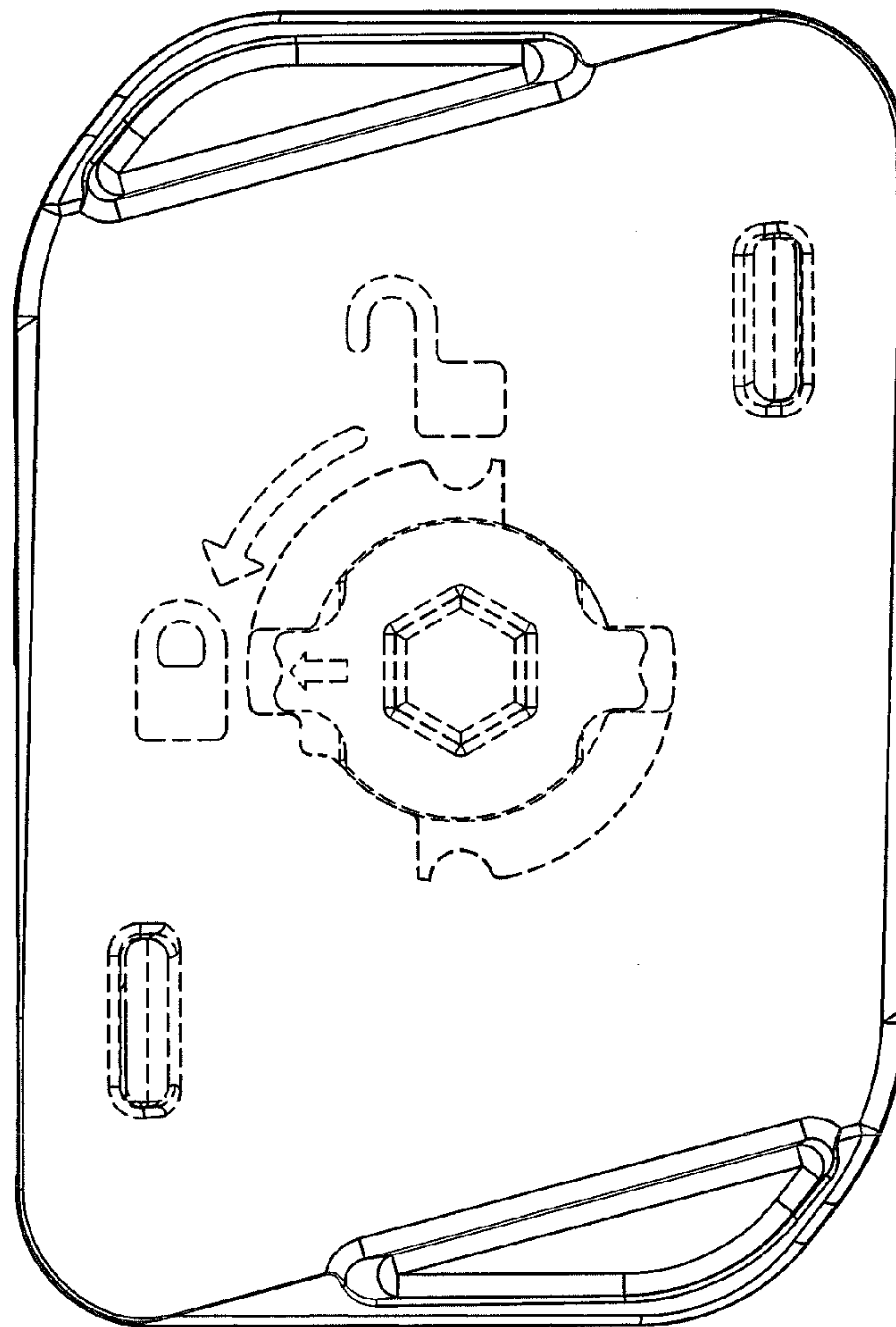


FIG. 3

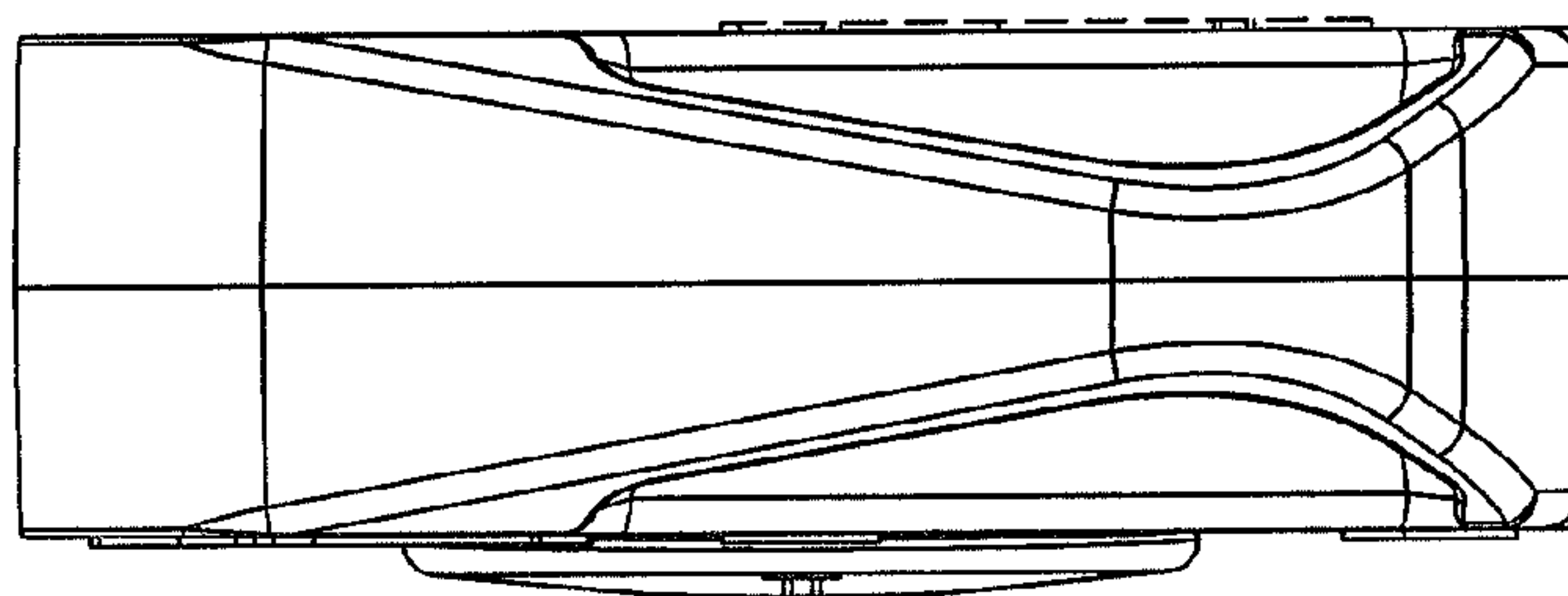


FIG. 4

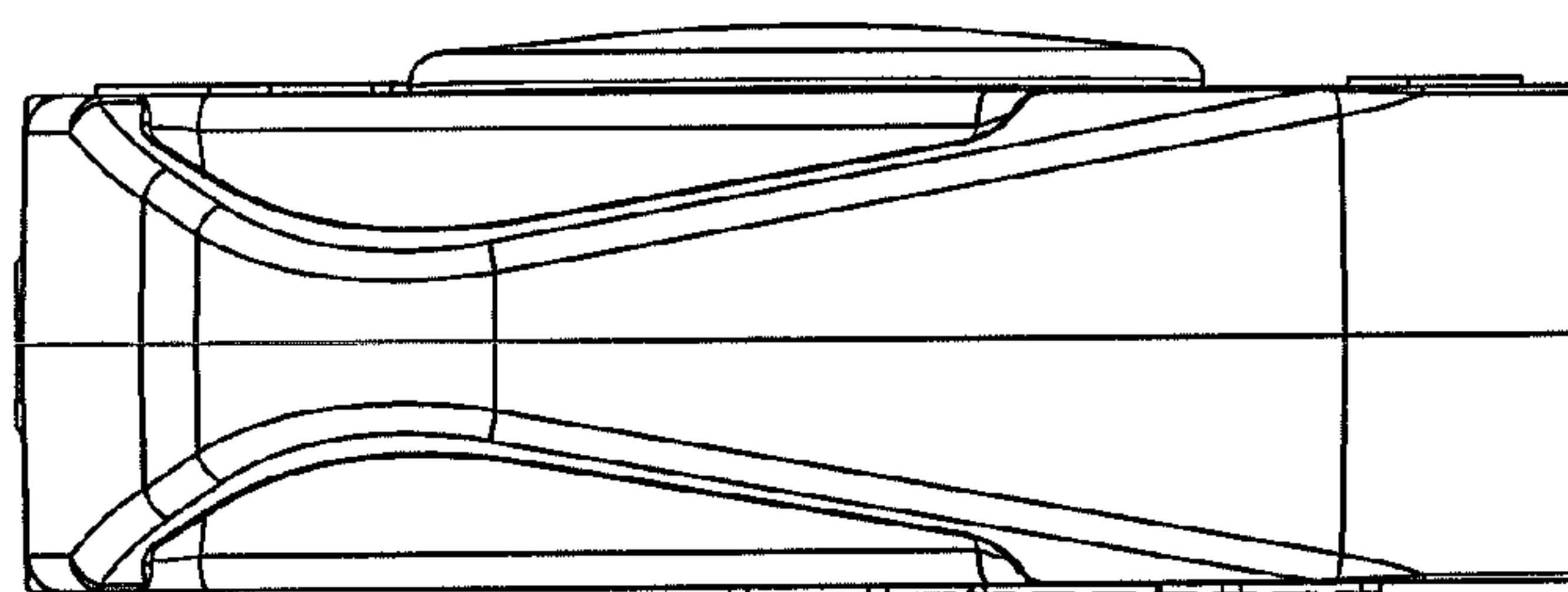


FIG. 5

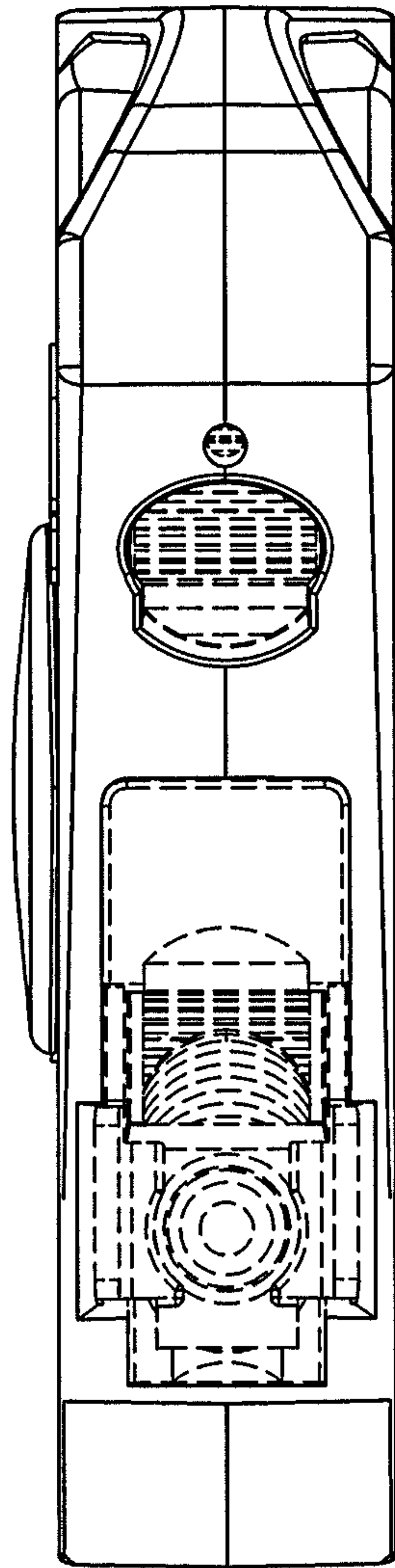


FIG. 6

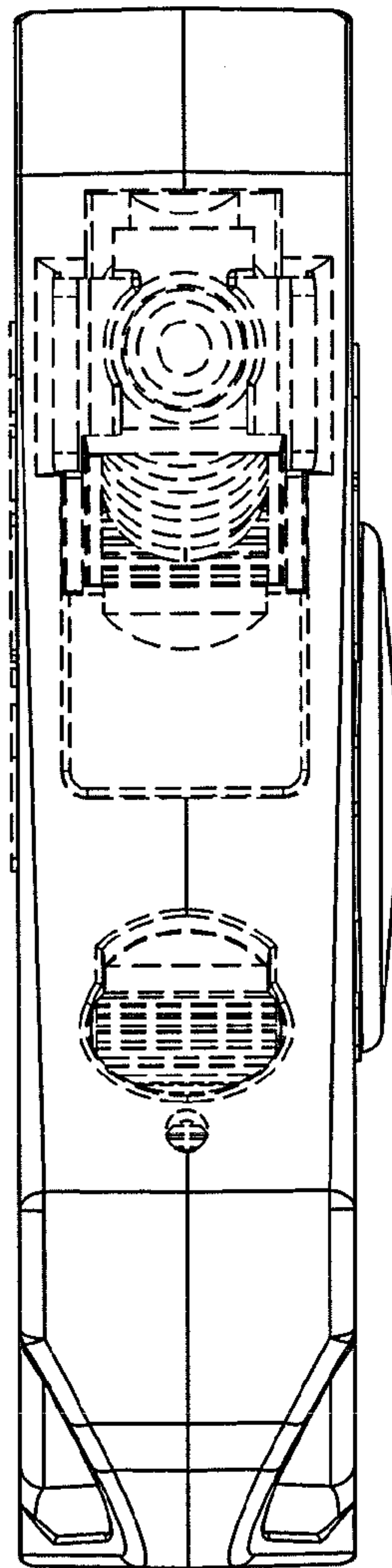




FIG. 7

