



US00D740630S

(12) **United States Design Patent**
Hasenmayer

(10) **Patent No.:** **US D740,630 S**
(45) **Date of Patent:** **** Oct. 13, 2015**

(54) **GLUE APPLICATOR**

(71) Applicant: **Robert Bosch GmbH**, Stuttgart (DE)

(72) Inventor: **Vincent Hasenmayer**, Stuttgart (DE)

(73) Assignee: **Robert Bosch GmbH**, Stuttgart (DE)

(**) Term: **14 Years**

(21) Appl. No.: **29/490,780**

(22) Filed: **May 13, 2014**

(30) **Foreign Application Priority Data**

Nov. 14, 2013 (EM) 002345595

(51) **LOC (10) Cl.** **08-05**

(52) **U.S. Cl.**
USPC **D8/30**

(58) **Field of Classification Search**
USPC D8/14, 29.1, 30, 51, 61; D19/66;
D24/146

CPC A01K 13/001; A23G 3/28; B05C 17/01;
B05C 17/00583; B05C 17/0123; A61M
5/31581; A61M 5/31595

See application file for complete search history.

(56) **References Cited**

U.S. PATENT DOCUMENTS

D323,274 S * 1/1992 Sasaki et al. D8/61
D389,354 S * 1/1998 Hsu D6/534

D469,670 S * 2/2003 Belanger D8/30
6,820,768 B2 * 11/2004 Belanger 222/146.5
D516,884 S * 3/2006 Axinte et al. D8/30
D533,416 S * 12/2006 Axinte et al. D8/30
D553,925 S * 10/2007 Axinte et al. D8/30
D559,055 S * 1/2008 Axinte et al. D8/30
D724,400 S * 3/2015 Filian et al. D8/30

* cited by examiner

Primary Examiner — Phillip S Hyder

(74) *Attorney, Agent, or Firm* — Maginot, Moore & Beck
LLP

(57) **CLAIM**

The ornamental design for a glue applicator, as shown and
described.

DESCRIPTION

FIG. 1 is a perspective view of a glue applicator showing my
new design;

FIG. 2 is a right side elevational view showing the design for
the glue applicator of FIG. 1;

FIG. 3 is a left side elevational view showing the design for
the glue applicator of FIG. 1;

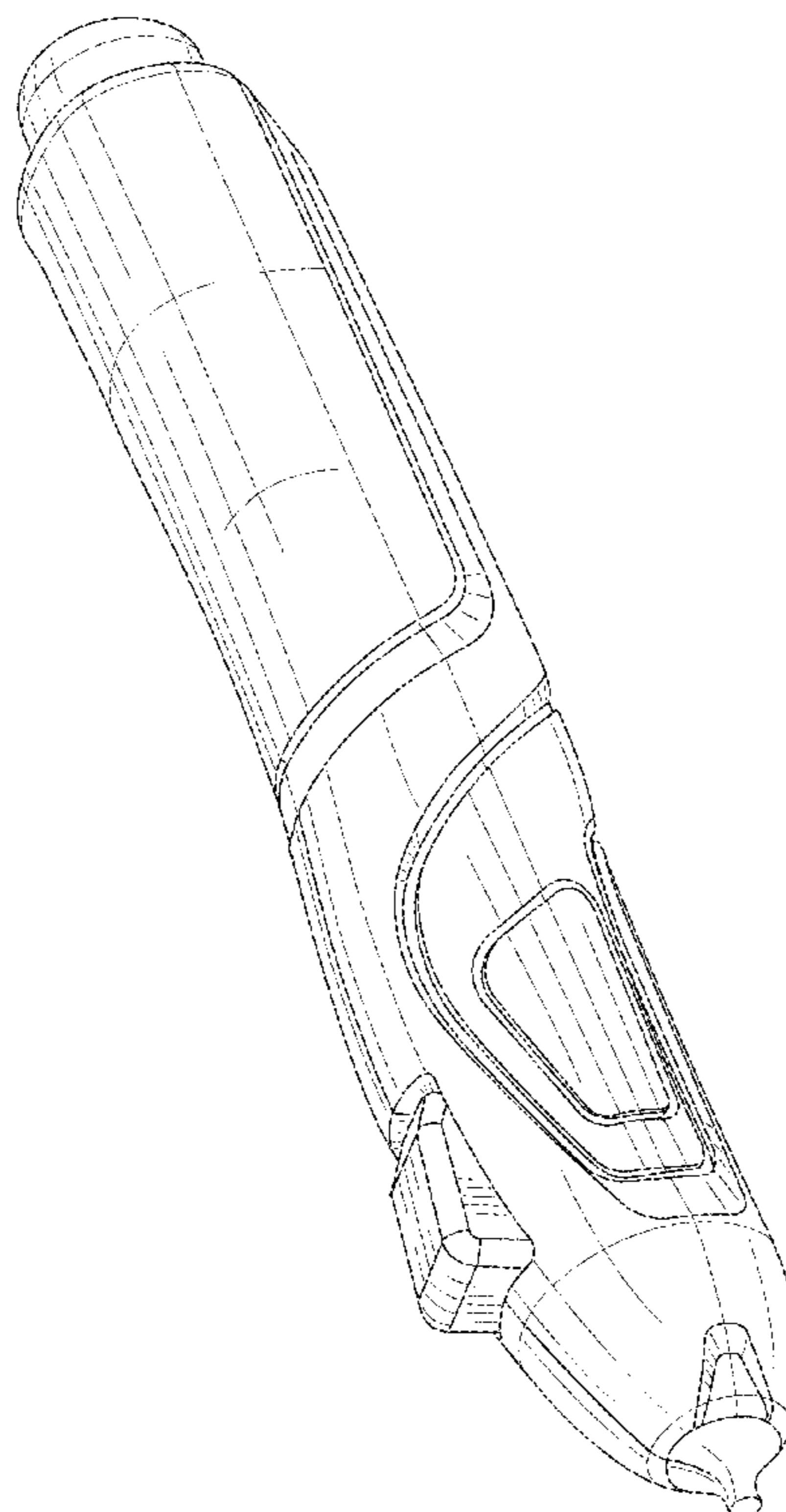
FIG. 4 is a top plan view showing the design for the glue
applicator of FIG. 1;

FIG. 5 is a bottom plan view showing the design for the glue
applicator of FIG. 1;

FIG. 6 is a front elevational view showing the design for the
glue applicator of FIG. 1; and,

FIG. 7 is a rear elevational view showing the design for the
glue applicator of FIG. 1.

1 Claim, 7 Drawing Sheets



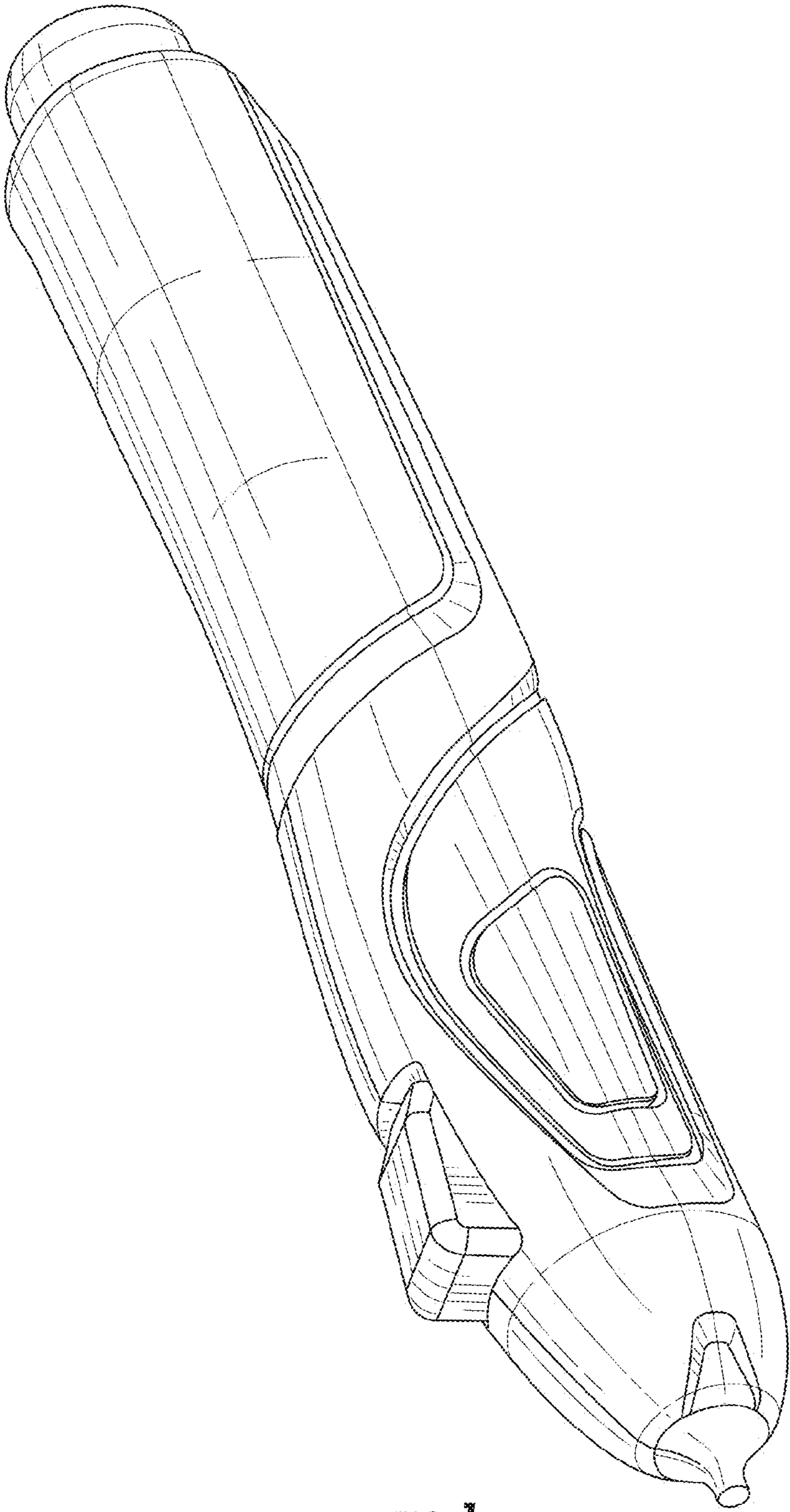


FIG. 1

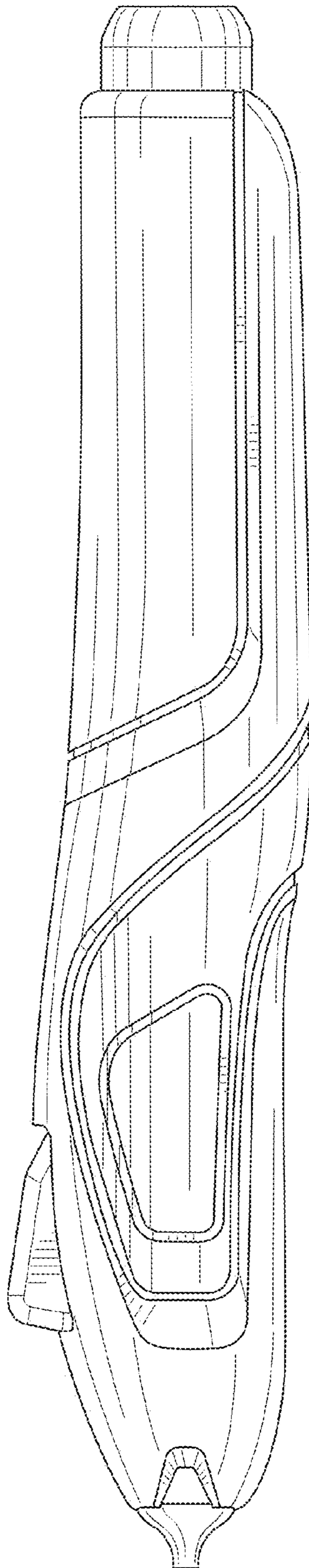


FIG. 2

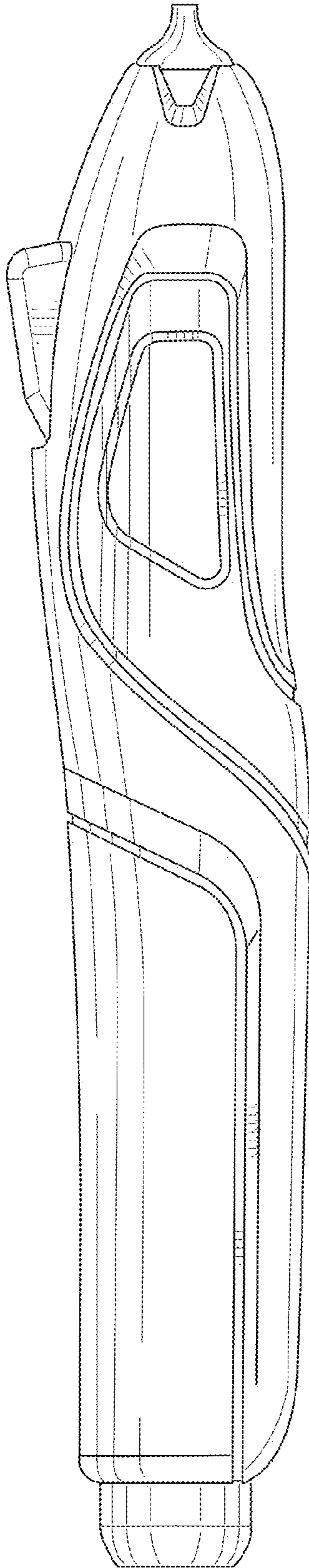


FIG. 3

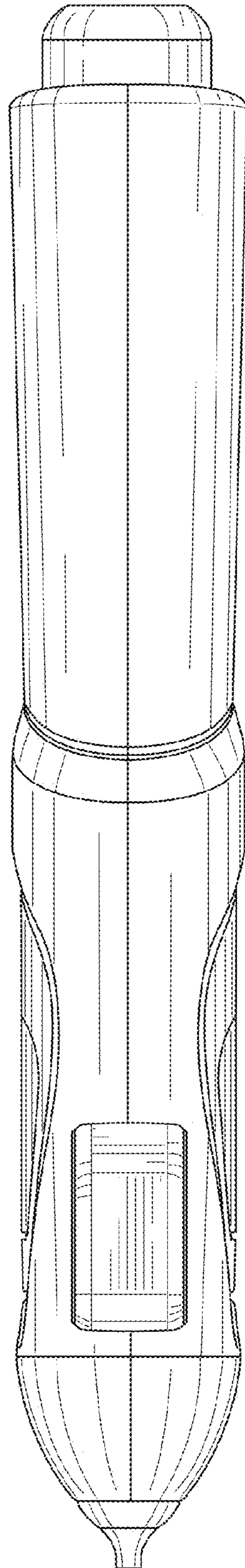


FIG. 4

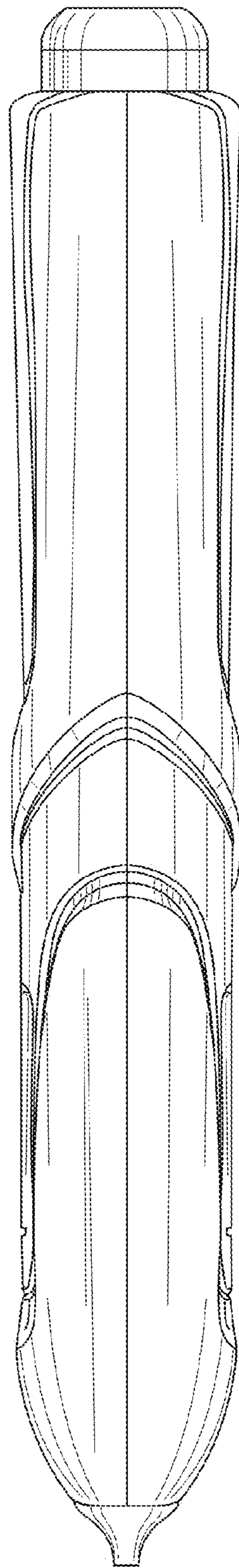


FIG. 5

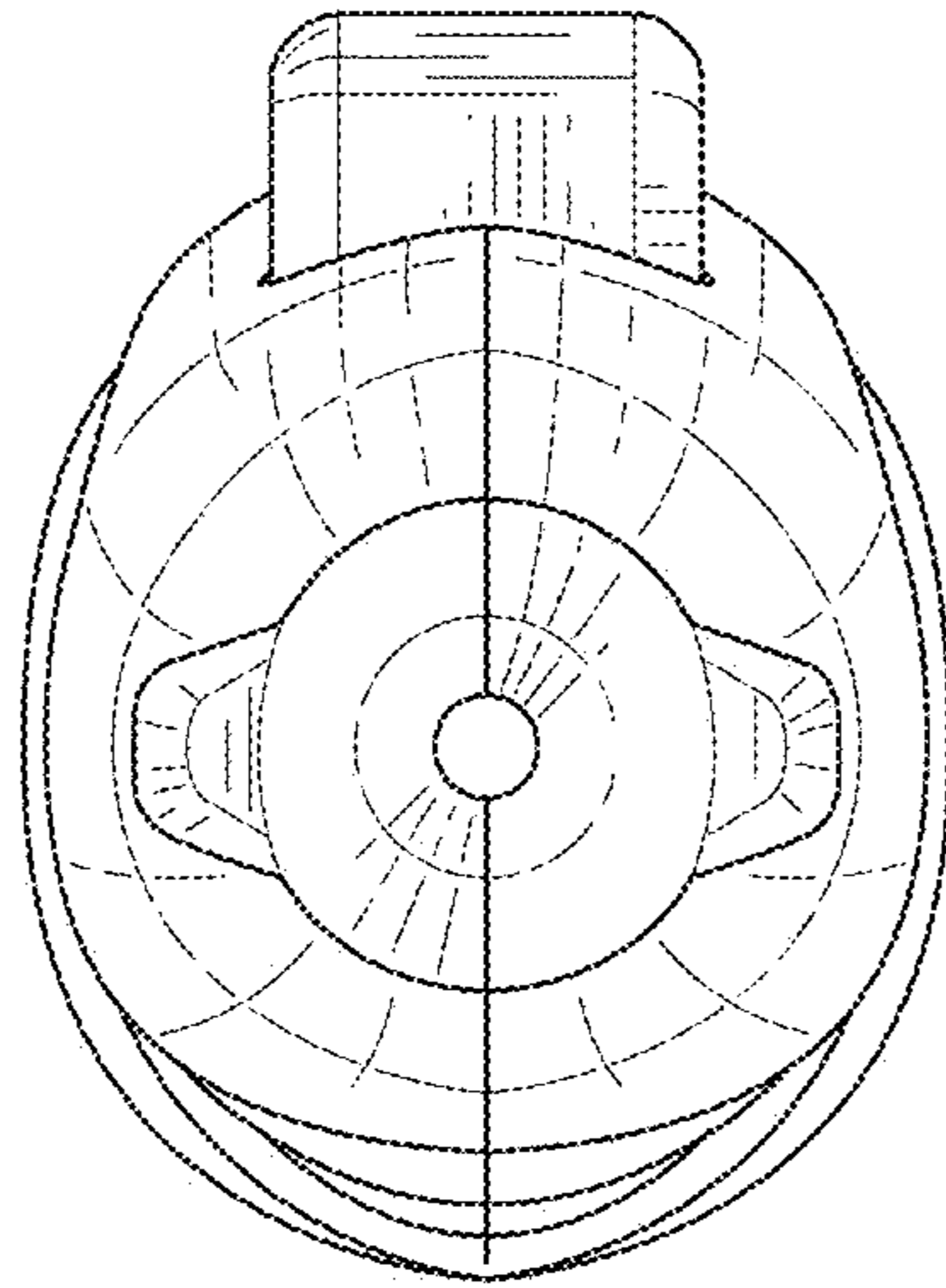


FIG. 6

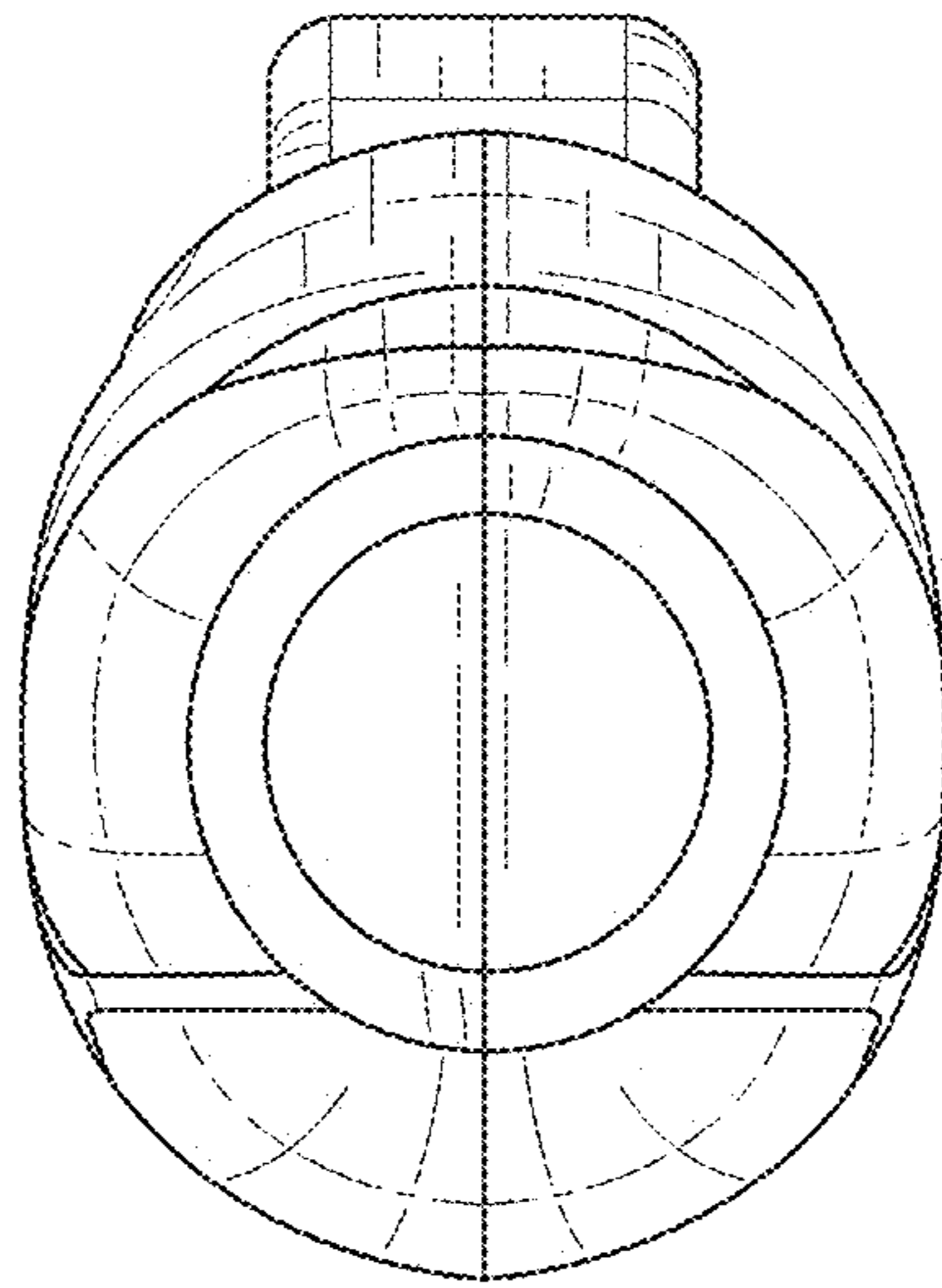


FIG. 7