



US00D740629S

(12) **United States Design Patent**
Furling et al.

(10) **Patent No.:** **US D740,629 S**
(45) **Date of Patent:** **** Oct. 13, 2015**

(54) **HOT AIR GUN**
(71) Applicants: **Andreas Furling**, Kerns (CH); **Felix Schilter**, Altdorf (CH)
(72) Inventors: **Andreas Furling**, Kerns (CH); **Felix Schilter**, Altdorf (CH)

D516,883 S * 3/2006 Popov et al. D8/29.1
D552,443 S * 10/2007 Aglassinger et al. D8/29.1
D615,834 S * 5/2010 Netzler D8/29.1
D615,835 S * 5/2010 Netzler D8/29.1
D639,129 S * 6/2011 Van Wambeke D8/29.1
D641,220 S * 7/2011 Shi D8/29.1
D664,820 S * 8/2012 Furling D8/29.1
D679,561 S * 4/2013 Price D8/29.1

(73) Assignee: **Leister Technologies AG**, Kagiswil (CH)

* cited by examiner

(**) Term: **14 Years**

Primary Examiner — Phillip S Hyder

(21) Appl. No.: **29/491,564**

(74) *Attorney, Agent, or Firm* — Cascio & Zervas

(22) Filed: **May 22, 2014**

(30) **Foreign Application Priority Data**

Apr. 29, 2014 (EM) 002455295-0001

(51) **LOC (10) Cl.** **08-05**

(52) **U.S. Cl.**
USPC **D8/29.1**

(58) **Field of Classification Search**
USPC D8/29.1, 29.2; D15/144; D28/13
CPC F24H 3/00; F24H 3/0423; F16M 13/00
See application file for complete search history.

(56) **References Cited**

U.S. PATENT DOCUMENTS

D293,020 S * 12/1987 Steinel et al. D23/332
D296,070 S * 6/1988 Cunningham D8/29.1
D388,297 S * 12/1997 Bultenbender D8/29.1
D456,679 S * 5/2002 Cheng D8/29.1
D457,044 S * 5/2002 Cheng D8/29.1
D457,407 S * 5/2002 Pretzell D8/29.1
D481,277 S * 10/2003 Waldron D8/29.1

(57) **CLAIM**

The ornamental design for a hot air gun, as shown and described.

DESCRIPTION

The file of this patent application, contains at least one drawings/photograph executed in color. Copies of this patent with color drawing(s)/photograph(s) will be provided by the Patent and Trademark Office upon request and payment of the necessary fee.

FIG. 1 is a right side elevational view of a hot air gun showing our design;

FIG. 2 is a left side elevational view thereof;

FIG. 3 is a top plan view thereof;

FIG. 4 is a bottom plan view thereof;

FIG. 5 is a front elevational view thereof;

FIG. 6 is a rear devotional view thereof; and,

FIG. 7 is a front perspective view thereof.

The green, blue and black colors shown in the drawings forms part of the design.

1 Claim, 3 Drawing Sheets
(3 of 3 Drawing Sheet(s) Filed in Color)



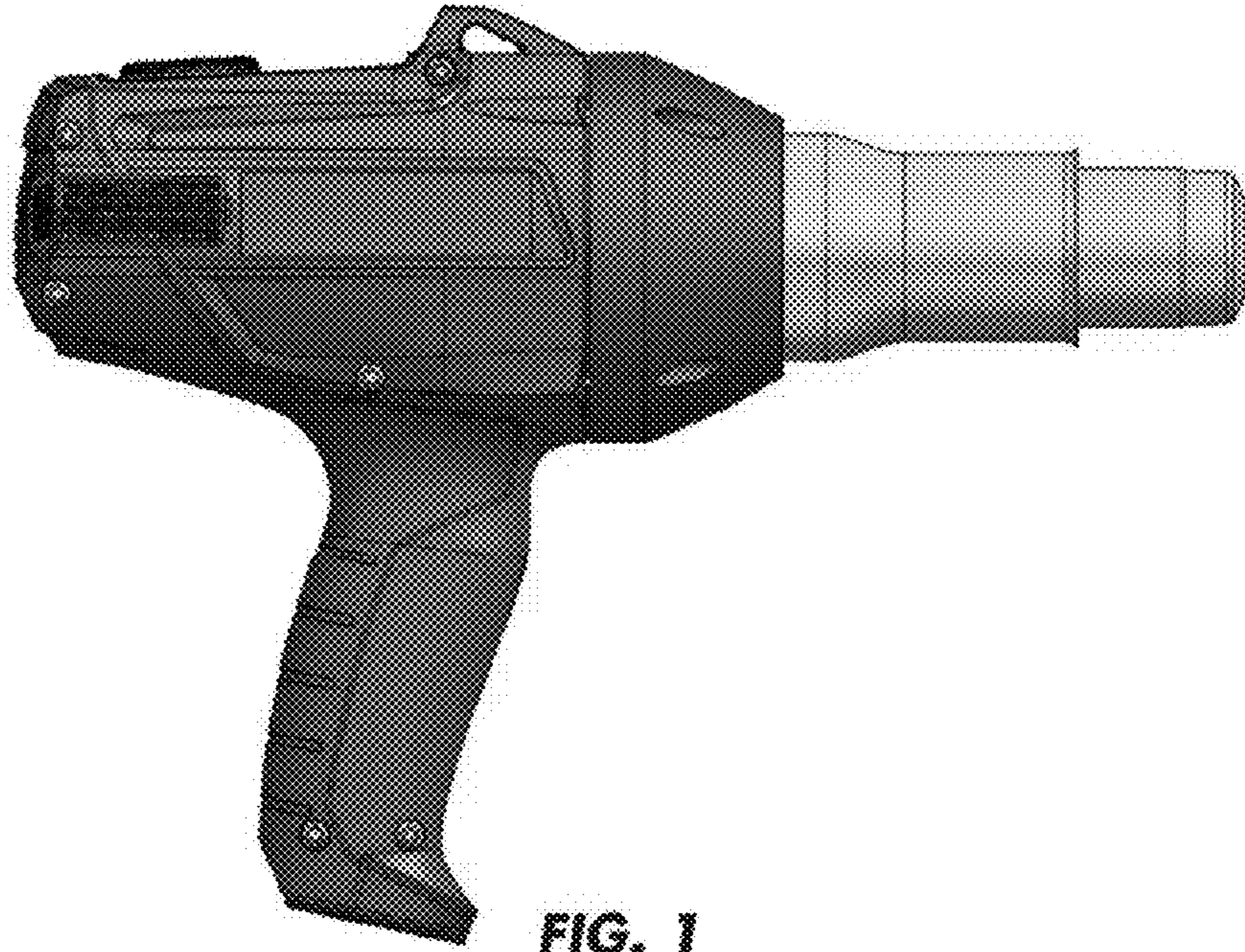


FIG. 1

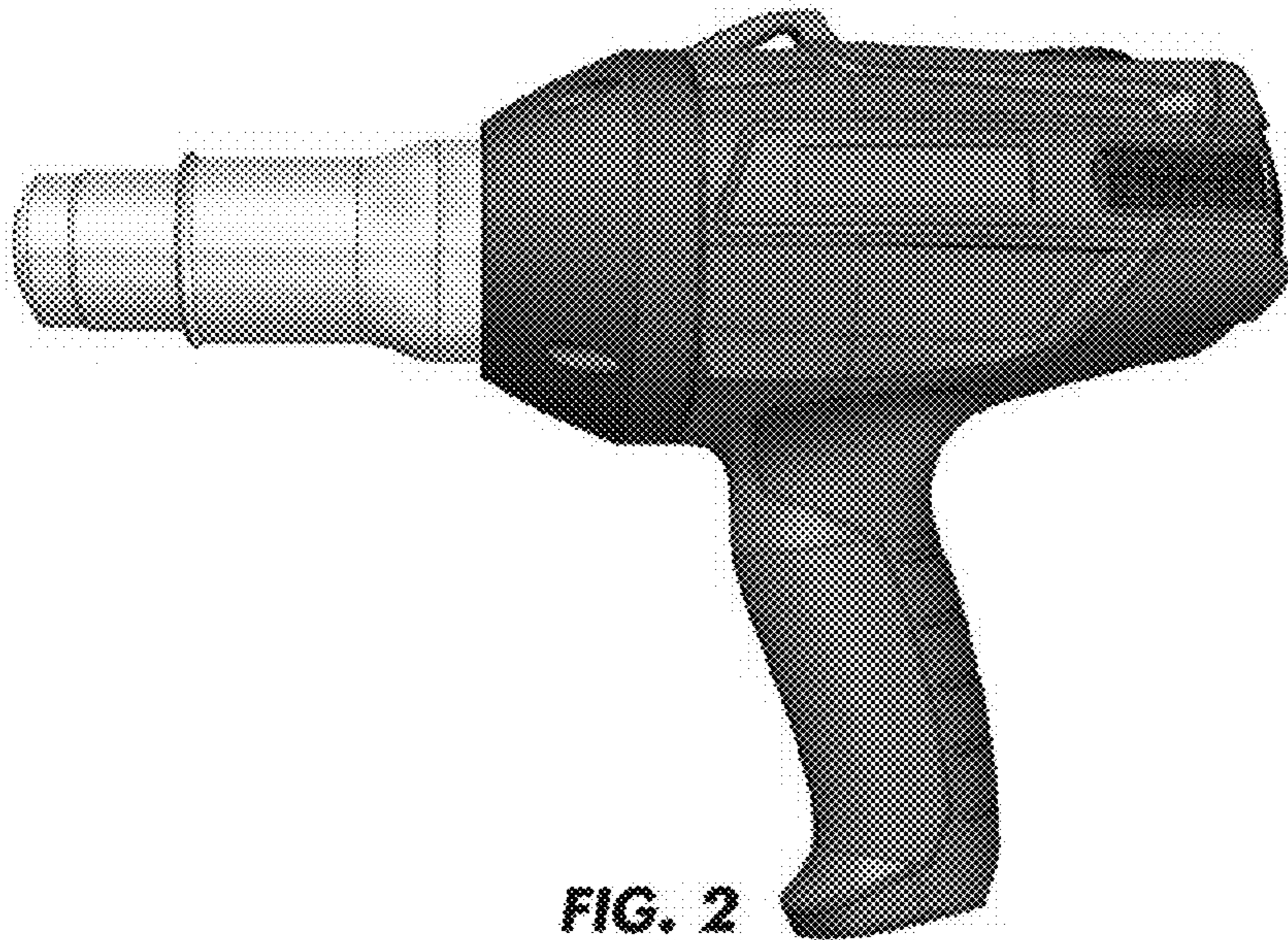


FIG. 2

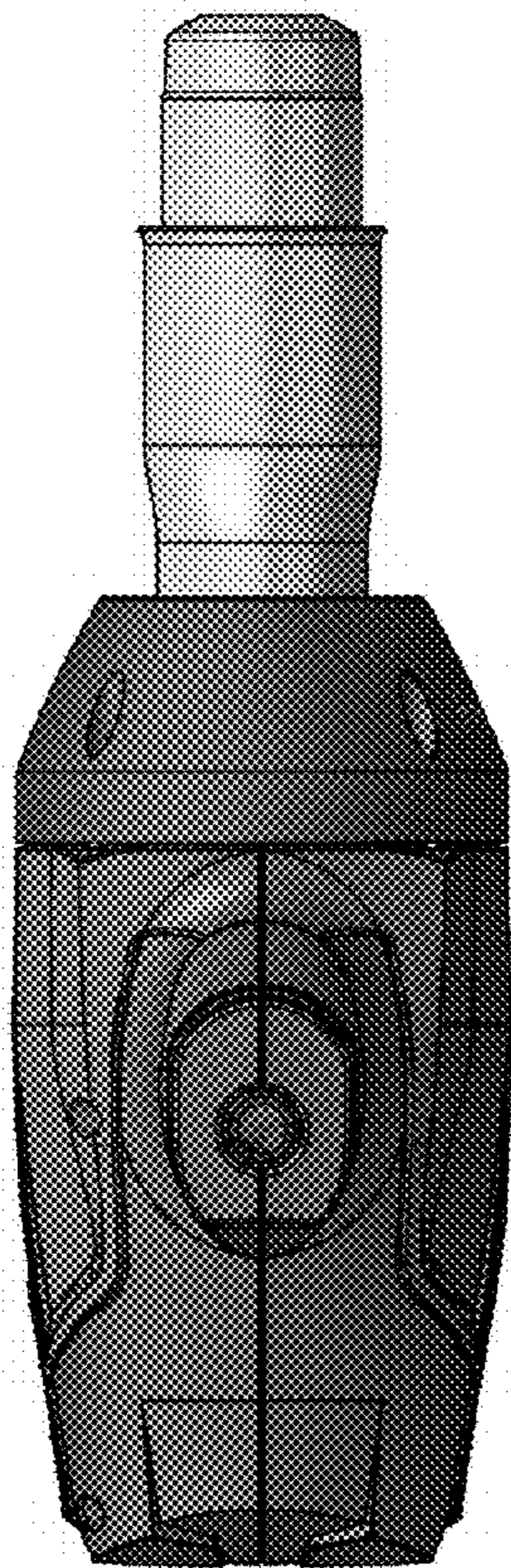


FIG. 3

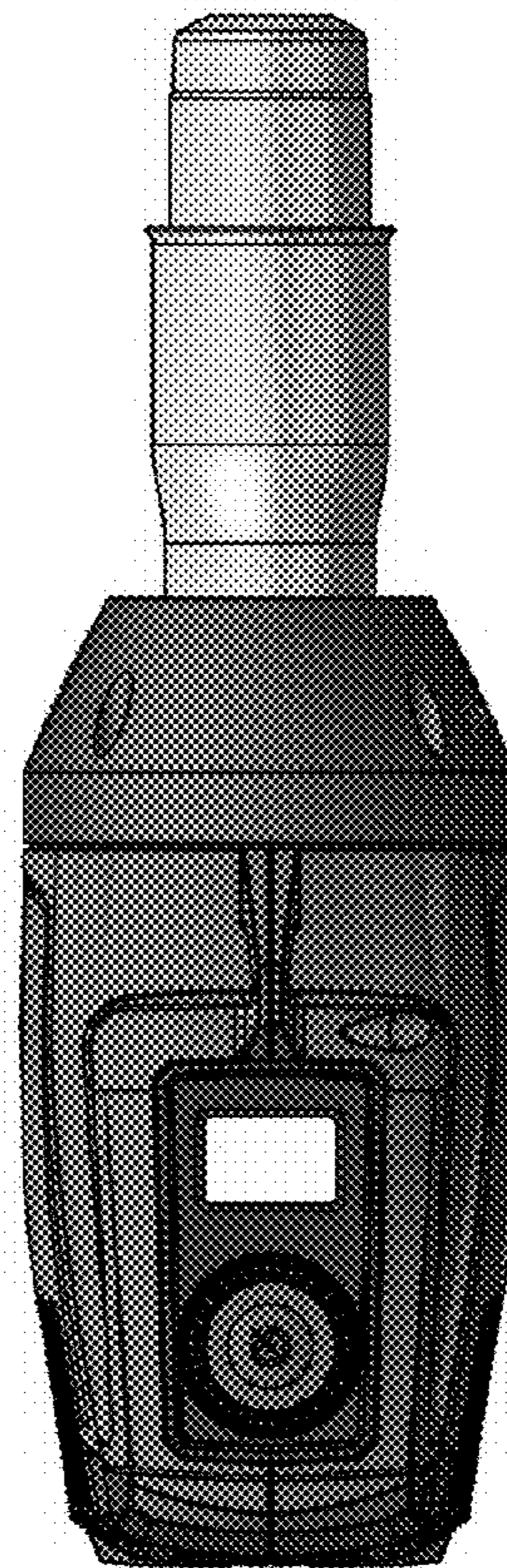


FIG. 4

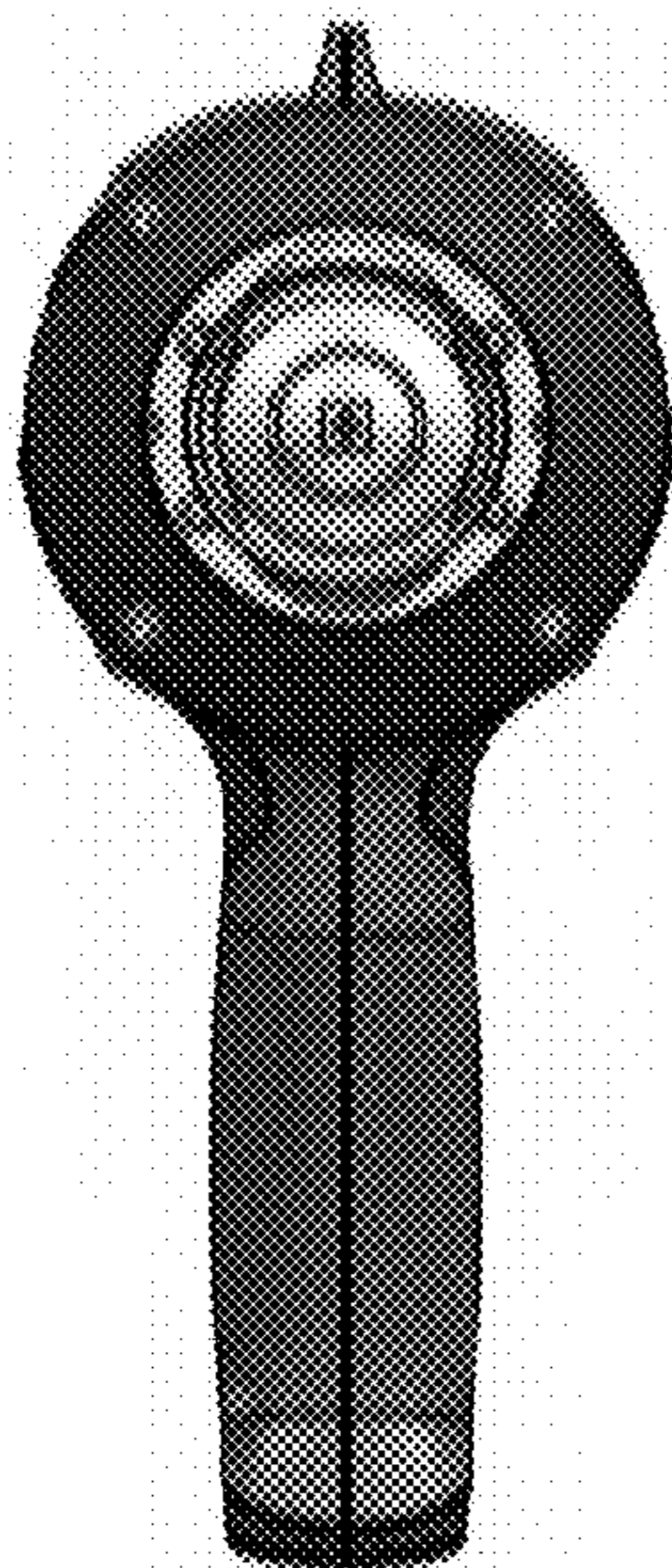


FIG. 5

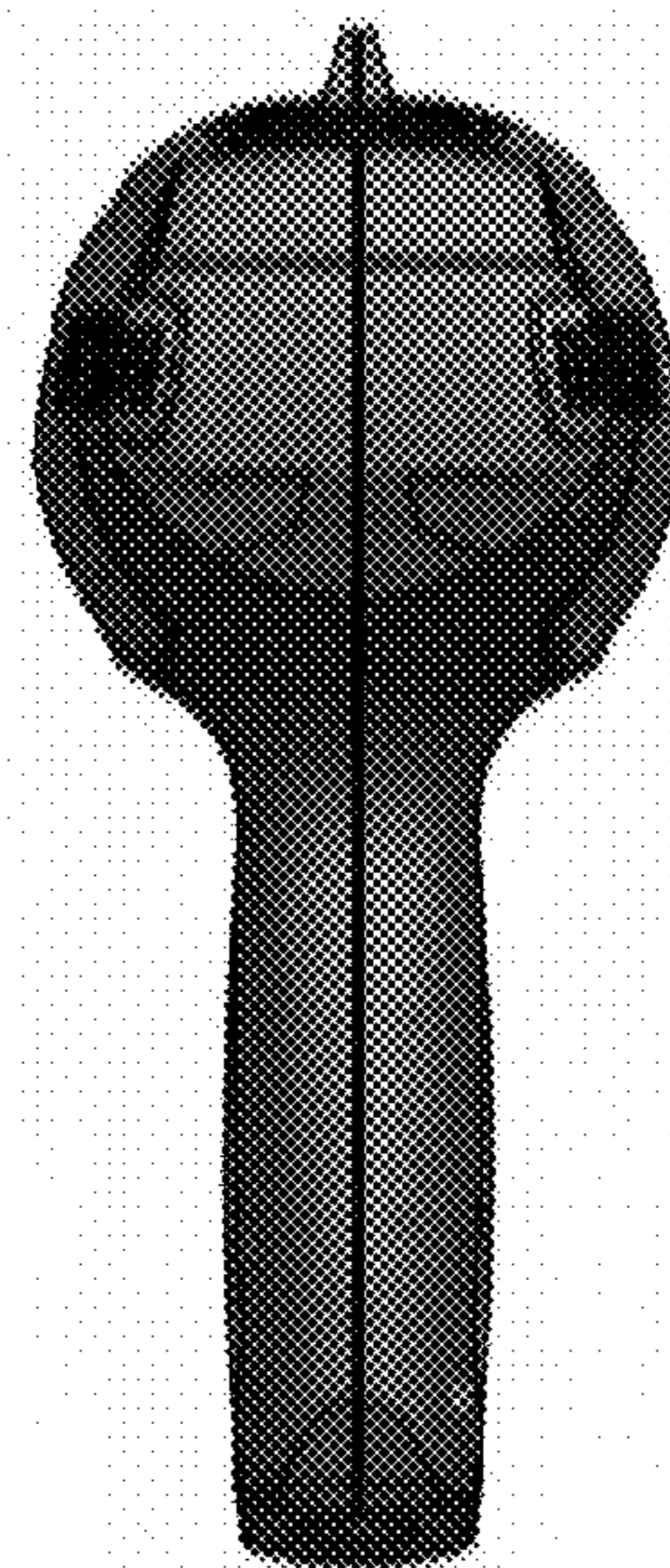


FIG. 6



FIG. 7