



US00D740628S

(12) **United States Design Patent**
Eshel

(10) **Patent No.:** **US D740,628 S**

(45) **Date of Patent:** **** Oct. 13, 2015**

(54) **SPANNER TOP**

(71) Applicant: **Yair Eshel**, Matan City, IL (US)

(72) Inventor: **Yair Eshel**, Matan City, IL (US)

(**) Term: **14 Years**

(21) Appl. No.: **29/455,665**

(22) Filed: **May 23, 2013**

(51) **LOC (10) Cl.** **08-05**

(52) **U.S. Cl.**
USPC **D8/29**

(58) **Field of Classification Search**

USPC D8/29; 81/60, 177.1, 177.85, 121.1,
81/124.3, 165-170, 110.1, 176.2, 124.6,
81/176.1, 176.15, 177.2; 16/110.1

CPC B25B 13/46; B25B 13/56
See application file for complete search history.

(56) **References Cited**

U.S. PATENT DOCUMENTS

4,608,887 A * 9/1986 Colvin 81/128
5,337,634 A * 8/1994 Carnesi 81/128
5,893,306 A * 4/1999 Owoc 81/60

6,000,300 A * 12/1999 Plamondon 81/90.2
6,341,544 B1 * 1/2002 Falzone 81/128
6,467,379 B1 * 10/2002 Wizman 81/185
6,662,689 B1 * 12/2003 Voskanyan 81/163

* cited by examiner

Primary Examiner — Randall Gholson

(74) *Attorney, Agent, or Firm* — Cowan, Liebowitz & Latman, P.C.; Mark Montague; Serge Krimnus

(57) **CLAIM**

The ornamental design for a spanner top, as shown.

DESCRIPTION

FIG. 1 is a front elevational view of the spanner top of the present invention;

FIG. 2 is a left side elevational thereof (the right side being a mirror image of that shown);

FIG. 3 is a rear elevational view thereof;

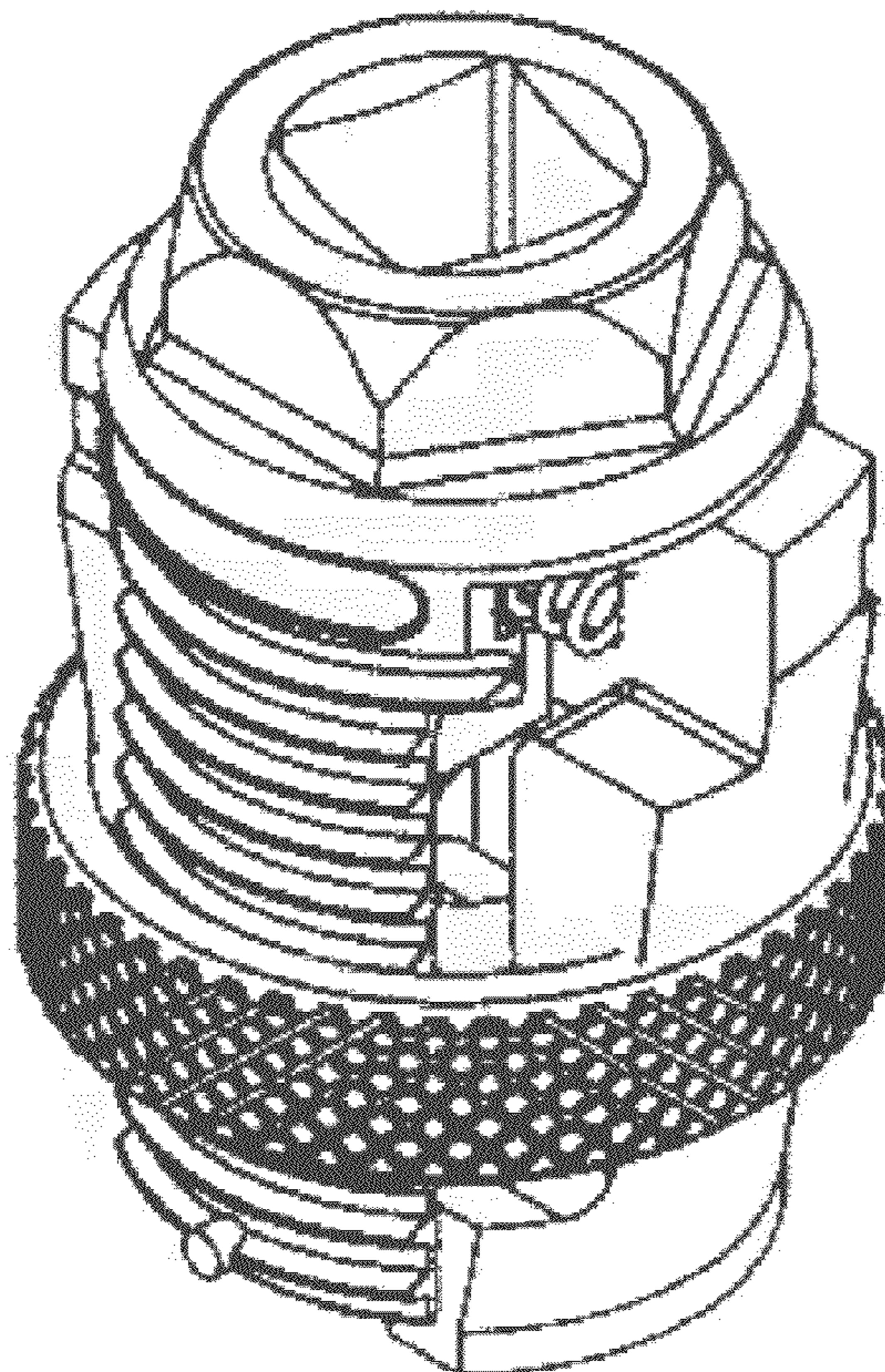
FIG. 4 is a top plan view thereof;

FIG. 5 is a bottom plan view thereof; and,

FIG. 6 is a perspective view thereof.

The broken lines depict portions of the spanner top that form no part of the claimed design.

1 Claim, 1 Drawing Sheet



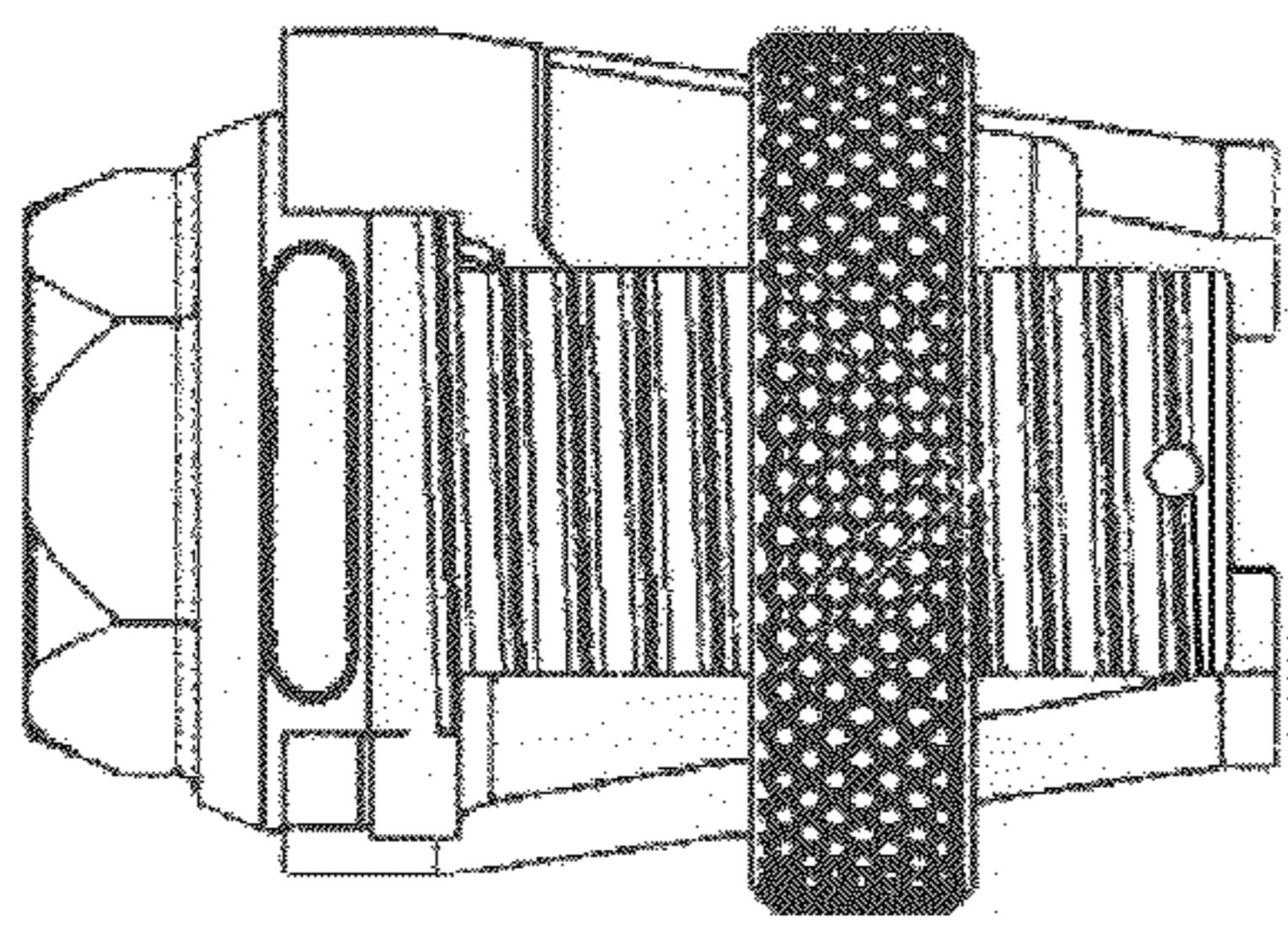


FIG. 1

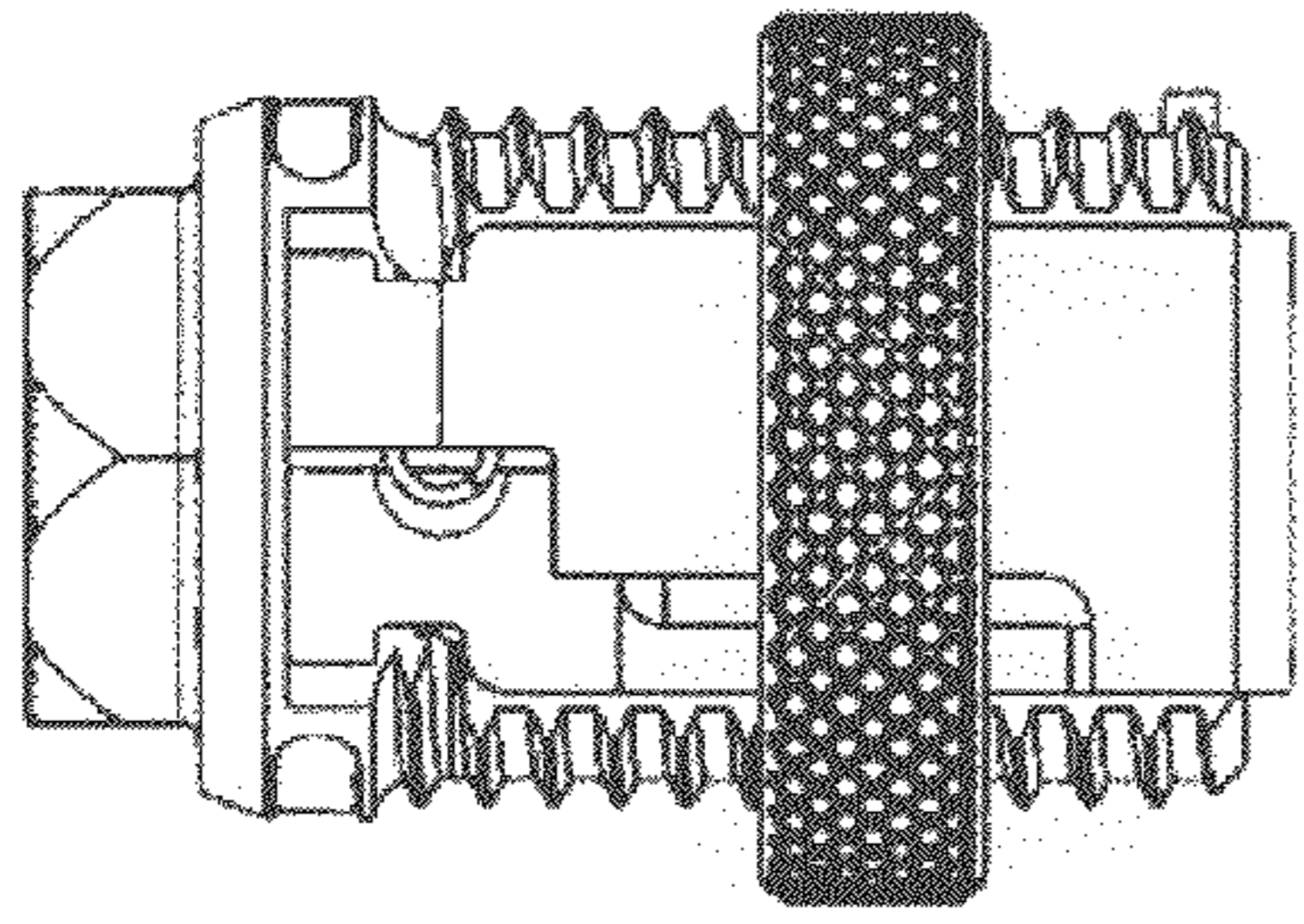


FIG. 2

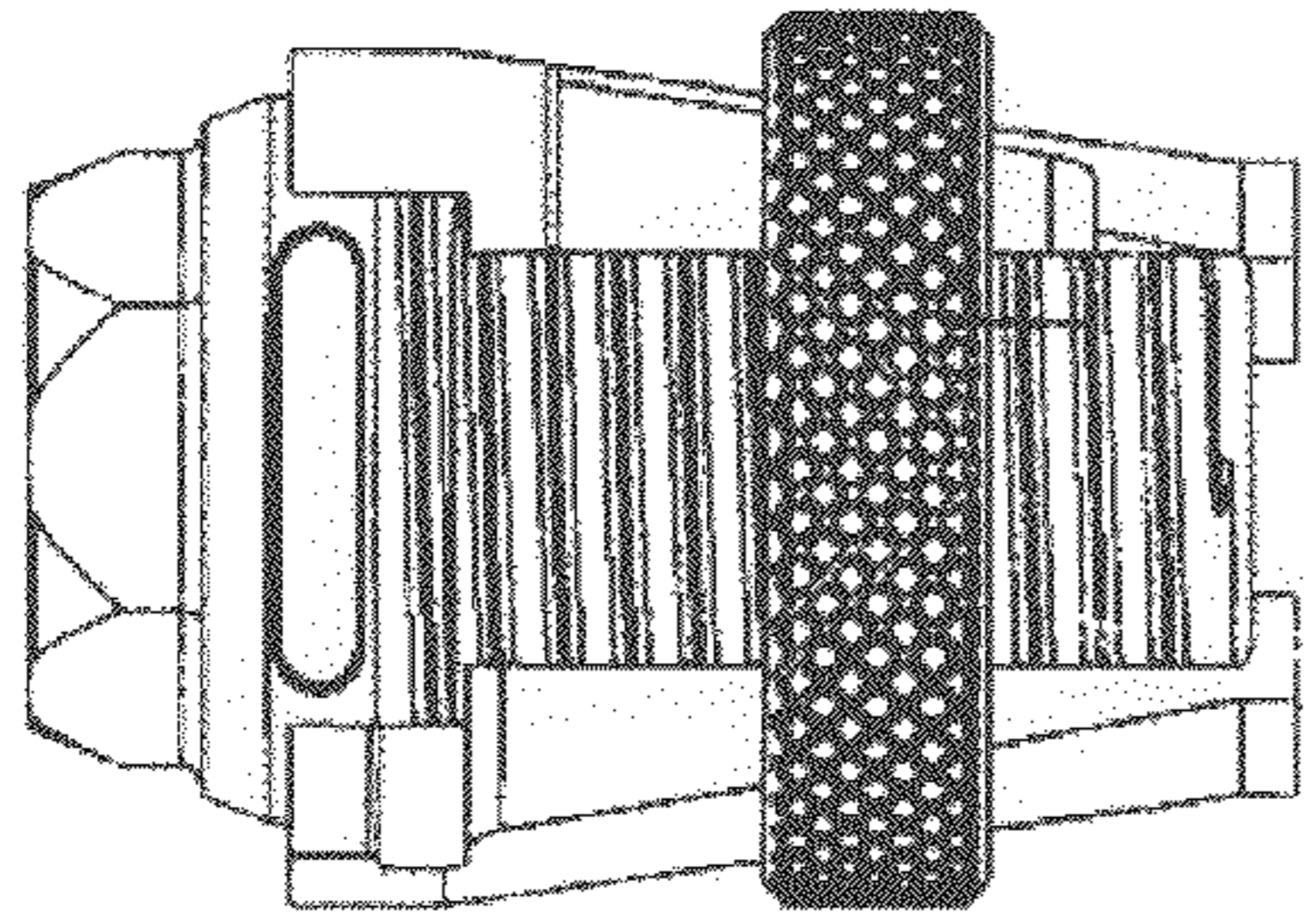


FIG. 3

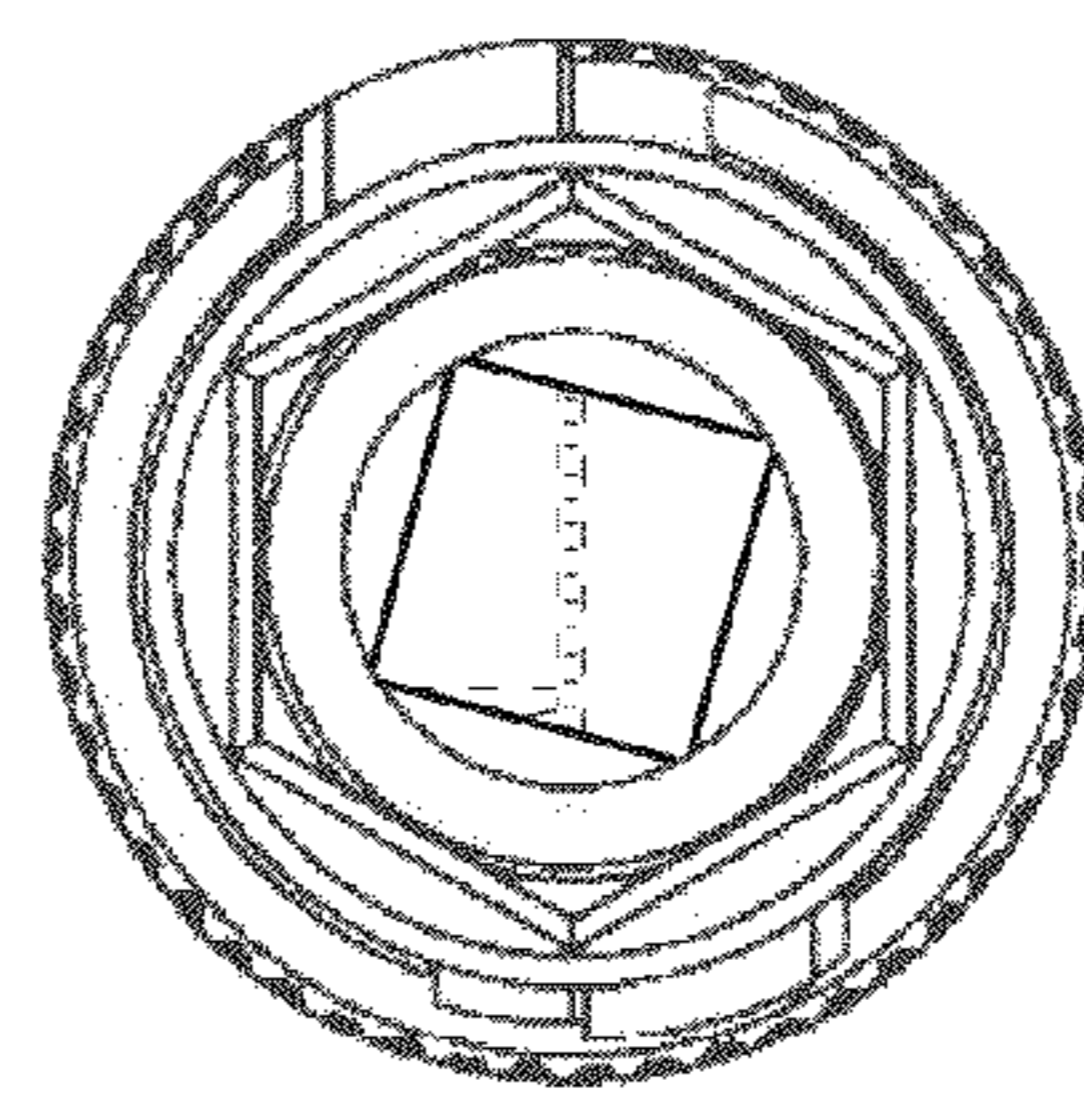


FIG. 4

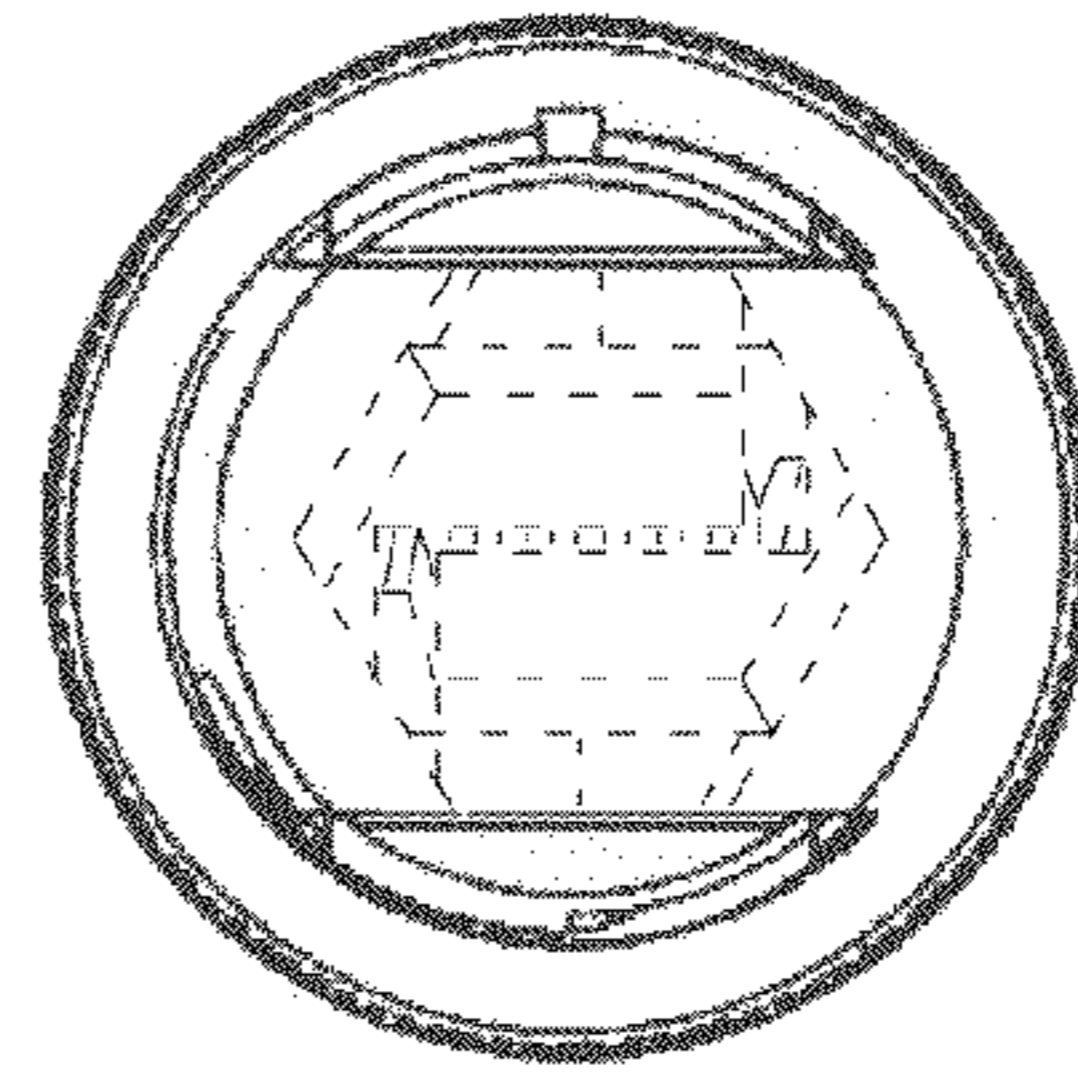


FIG. 5

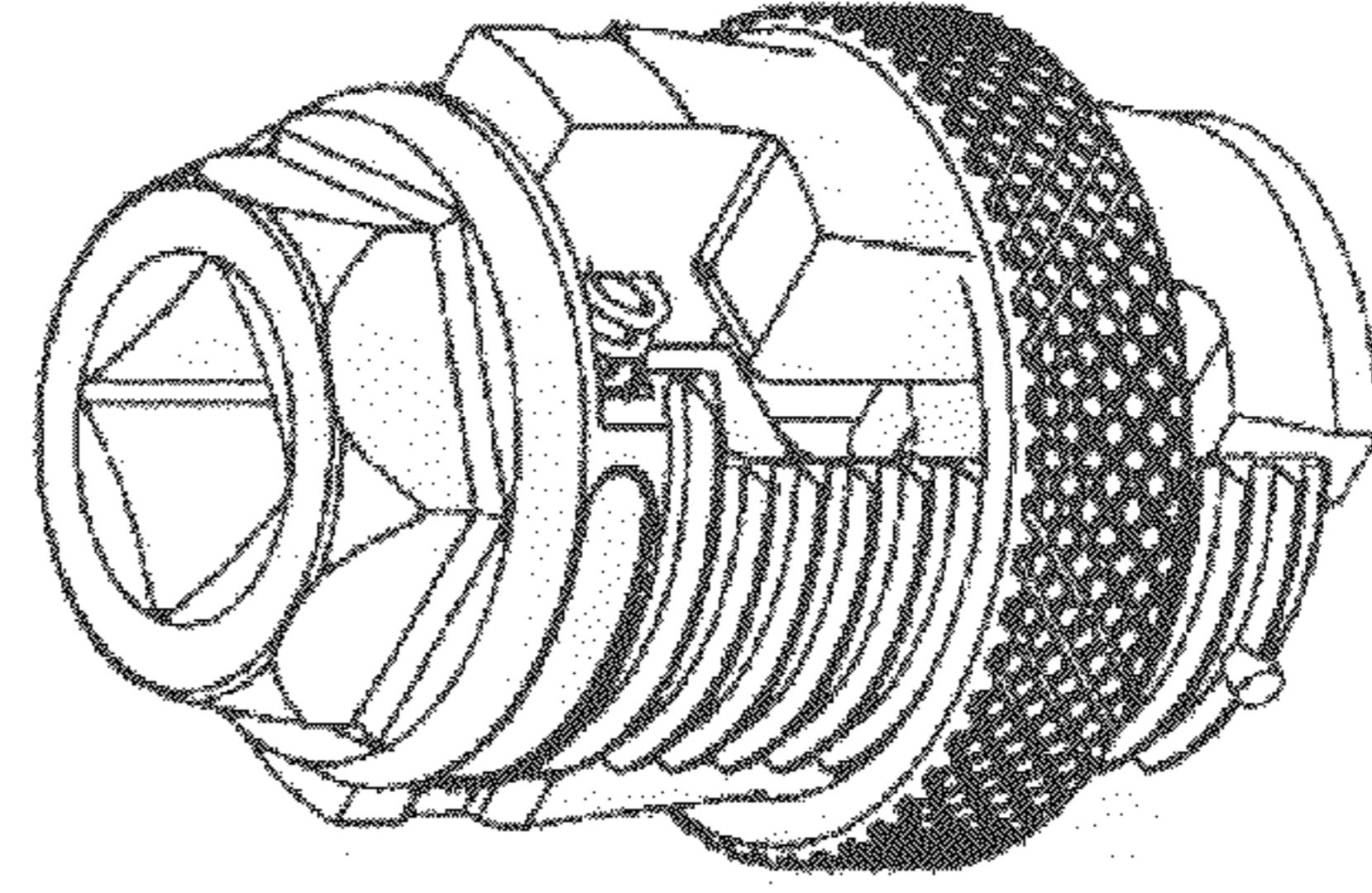


FIG. 6