



US00D740624S

(12) **United States Design Patent**
Furman

(10) **Patent No.:** **US D740,624 S**
(45) **Date of Patent:** **** Oct. 13, 2015**

(54) **OYSTER SHUCKING KNIFE**

(71) Applicant: **Mark A. Furman**, Framingham, MA
(US)
(72) Inventor: **Mark A. Furman**, Framingham, MA
(US)
(73) Assignee: **R. Murphy Company, Inc.**, Ayer, MA
(US)

(**) Term: **14 Years**

(21) Appl. No.: **29/490,006**

(22) Filed: **May 6, 2014**

(51) **LOC (10) Cl.** **07-04**

(52) **U.S. Cl.**

USPC **D7/693**

(58) **Field of Classification Search**

USPC D7/680–696, 669, 368, 393, 395,
D7/649–652; D8/14, 98–104; 452/3, 6, 12,
452/13, 15, 17, 26, 98, 102; 30/277.4, 169;
7/109, 110, 113
CPC ... A47G 21/067; A47G 21/06; A47G 21/061;
A22C 29/00; A22C 29/027; A22C 29/024;
A22C 29/046

See application file for complete search history.

(56) **References Cited**

U.S. PATENT DOCUMENTS

1,352,108 A * 9/1920 Kemp A47G 21/067
452/17
2,707,325 A * 5/1955 Cripps A47G 21/06
452/6
D676,291 S * 2/2013 Audette, Jr. D7/693
2003/0134585 A1 * 7/2003 Maloni A47G 1/065
452/17

* cited by examiner

Primary Examiner — Terry Wallace

(57) **CLAIM**

I claim the ornamental design for an oyster shucking knife, as shown and described.

DESCRIPTION

FIG. 1 is a top plan view of a handle and blade for an oyster shucking knife, wherein the bottom plan view (not shown) is a mirror image of the top plan view FIG. 1 of my design; FIG. 2 is a right side elevation view, wherein the left side elevation view (not shown) is a mirror image of the right side elevation view FIG. 2; FIG. 3 is a front elevation view of my design; and, FIG. 4 is a rear elevation view of my design.

1 Claim, 4 Drawing Sheets

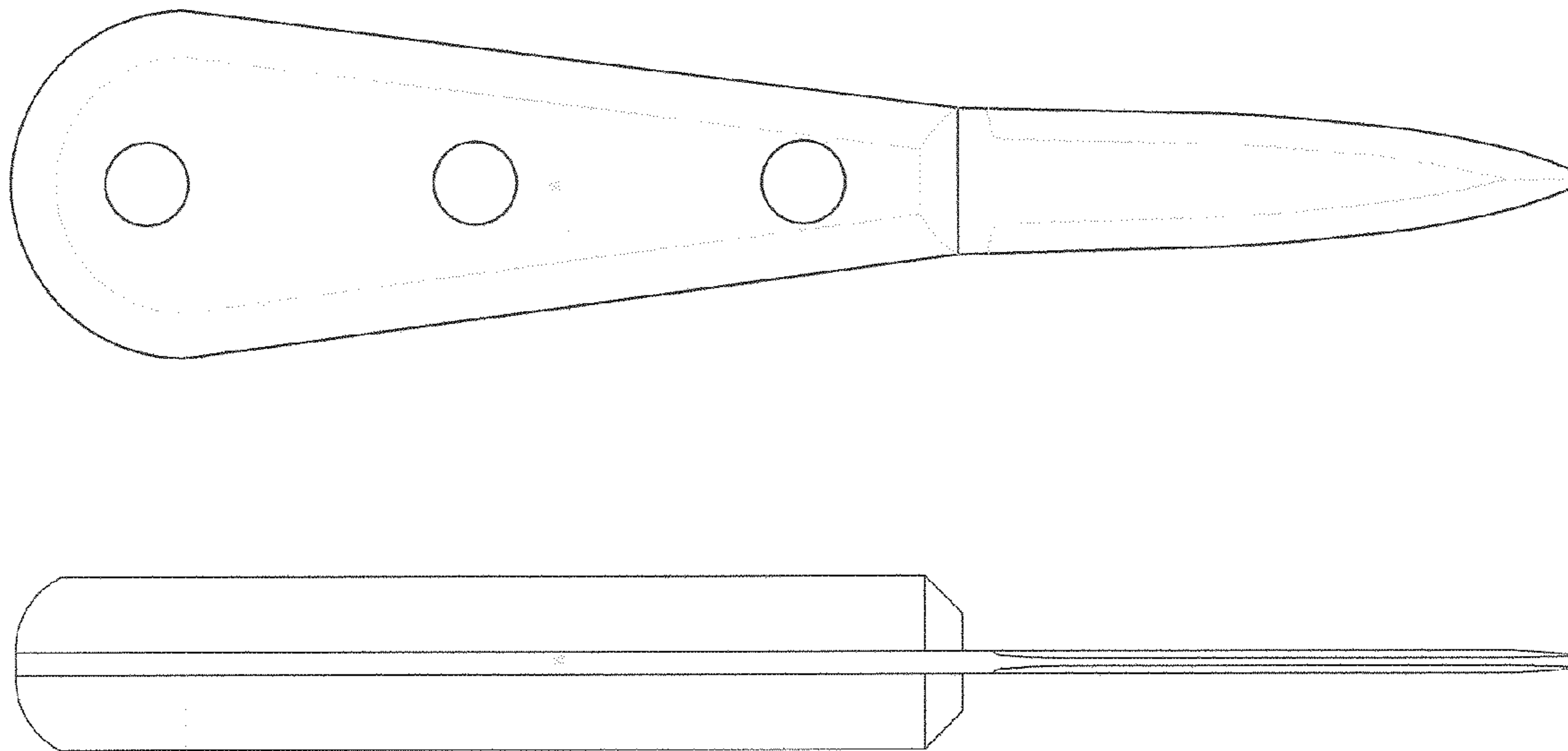


FIG. 1

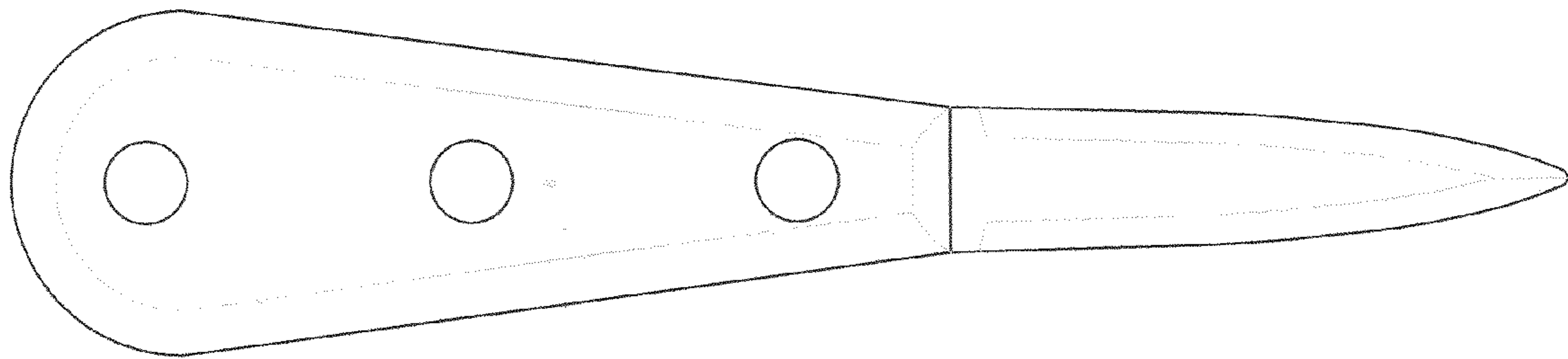


FIG. 2

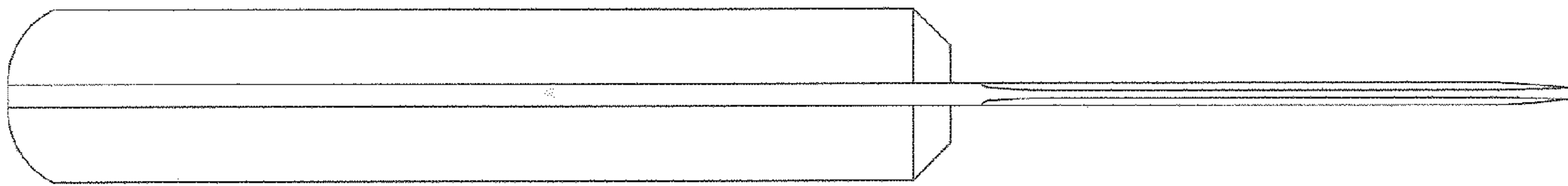


FIG. 3

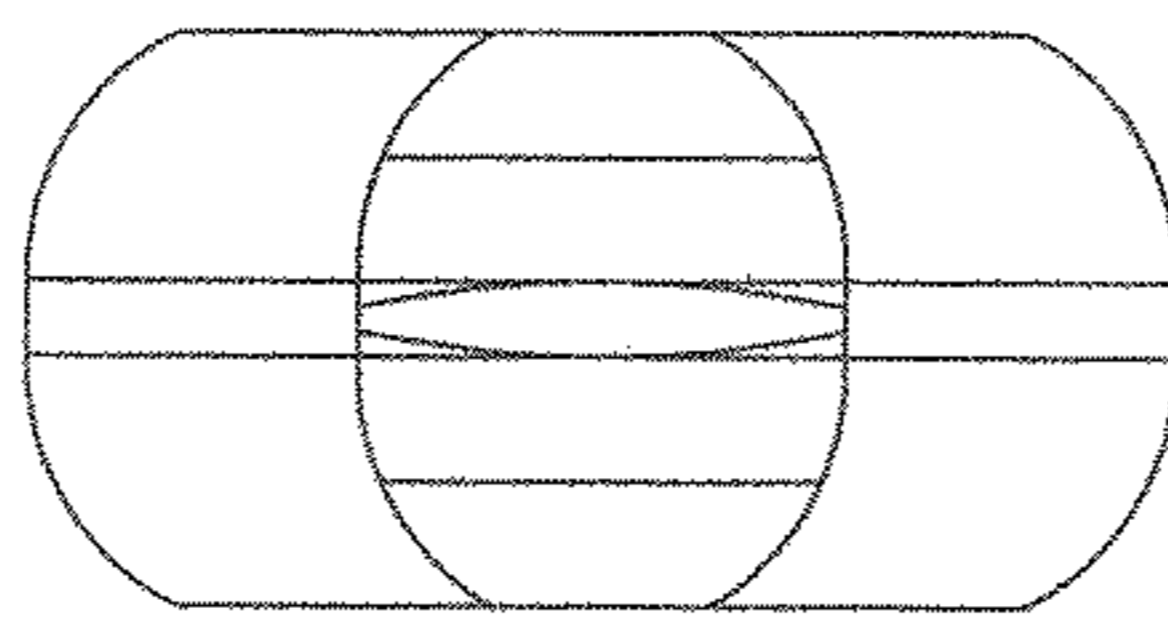


FIG. 4

