



US00D740623S

(12) **United States Design Patent**
Schiffman

(10) **Patent No.:** **US D740,623 S**

(45) **Date of Patent:** **** Oct. 13, 2015**

(54) **SPOON**

(71) Applicant: **Alyse B. Schiffman**, Somers, NY (US)

(72) Inventor: **Alyse B. Schiffman**, Somers, NY (US)

(**) Term: **14 Years**

(21) Appl. No.: **29/485,441**

(22) Filed: **Mar. 19, 2014**

(51) **LOC (10) Cl.** **07-04**

(52) **U.S. Cl.**
USPC **D7/692; D7/667**

(58) **Field of Classification Search**
USPC D7/680-696, 667; 210/470, 471, 464,
210/495, 499; 30/324-328; 294/176-180;
7/109, 110, 113
CPC A01B 1/02; A47G 21/04; A47F 13/08;
A47J 43/28; A47J 43/00; A47J 43/285;
A47J 43/284; A47J 43/281

See application file for complete search history.

(56) **References Cited**

U.S. PATENT DOCUMENTS

D268,244	S	*	3/1983	Morin	D7/691
D367,406	S	*	2/1996	Ancona	D7/692
5,947,595	A	*	9/1999	Eurisch et al.	99/348
D460,901	S	*	7/2002	Geborek	D7/691
D487,382	S	*	3/2004	Kaposi	D7/692
D634,591	S	*	3/2011	Coppo	D7/691

* cited by examiner

Primary Examiner — Terry Wallace

(74) *Attorney, Agent, or Firm* — Salter & Michaelson

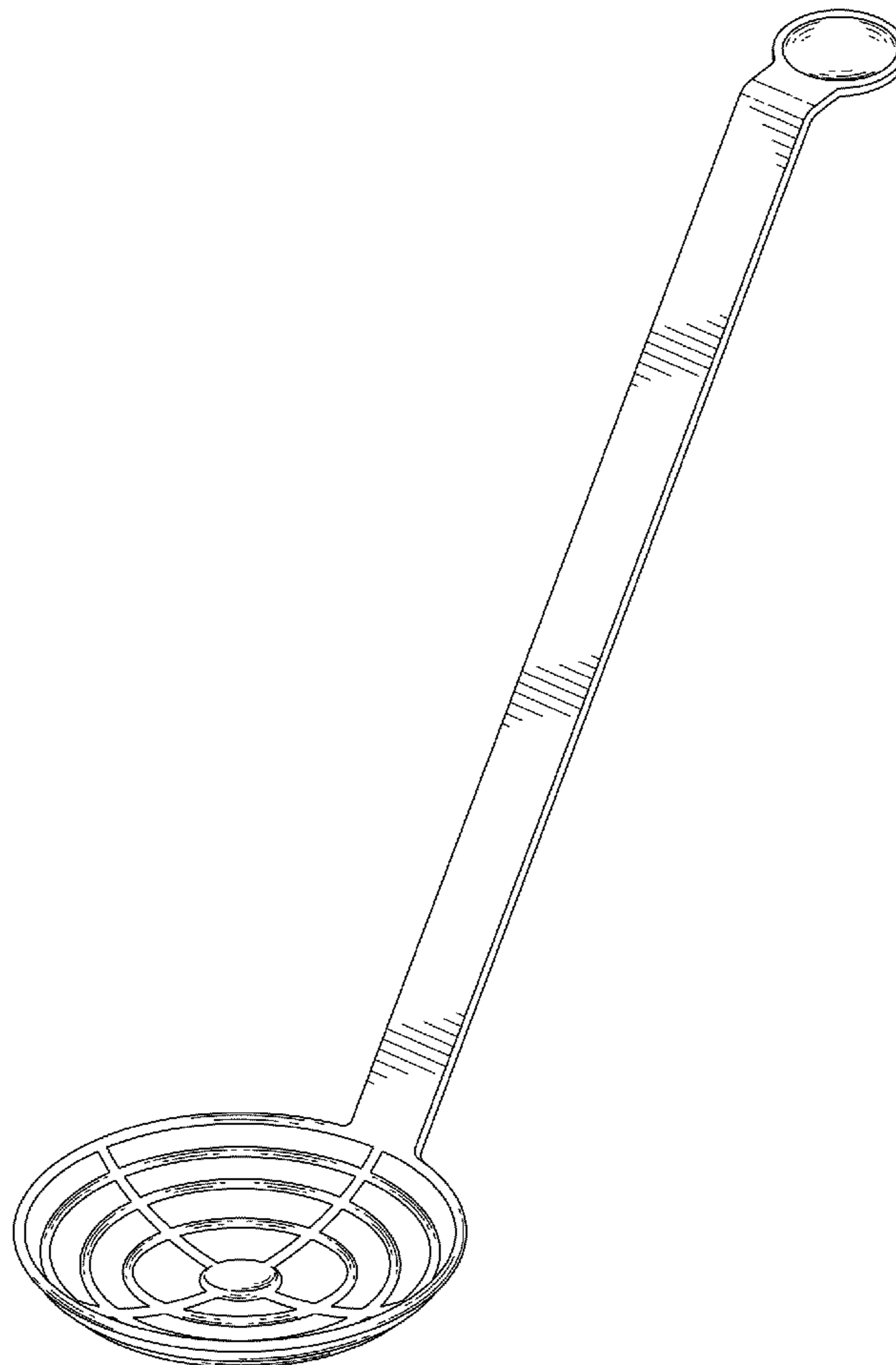
(57) **CLAIM**

The ornamental design for a spoon, as shown.

DESCRIPTION

FIG. 1 is a perspective view of a spoon;
FIG. 2 is a left side elevational view thereof;
FIG. 3 is a right side elevational view thereof;
FIG. 4 is a top plan view thereof;
FIG. 5 is a bottom plan view thereof;
FIG. 6 is a front elevational view thereof; and,
FIG. 7 is a rear elevational view thereof.

1 Claim, 5 Drawing Sheets



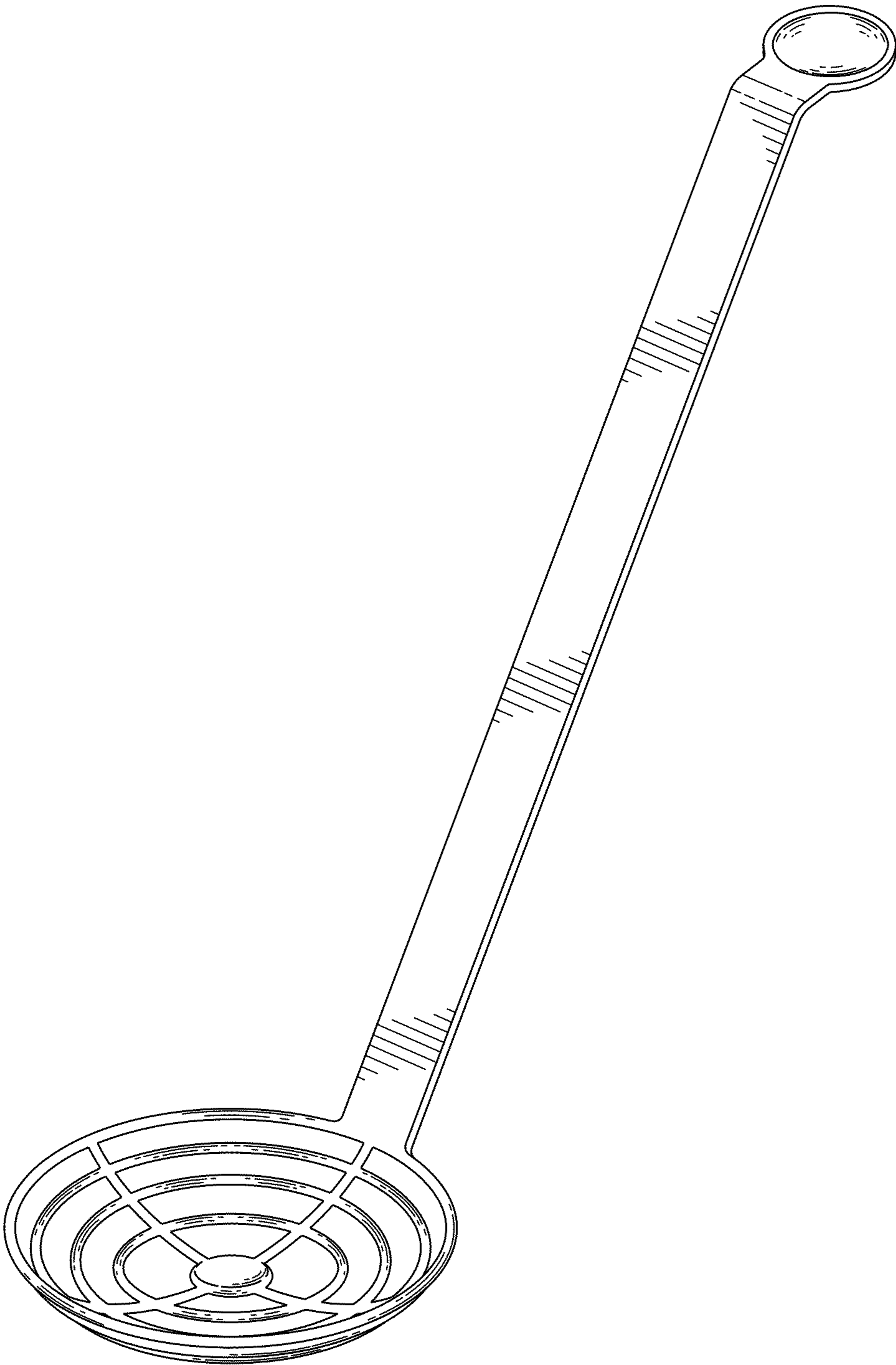


FIG. 1

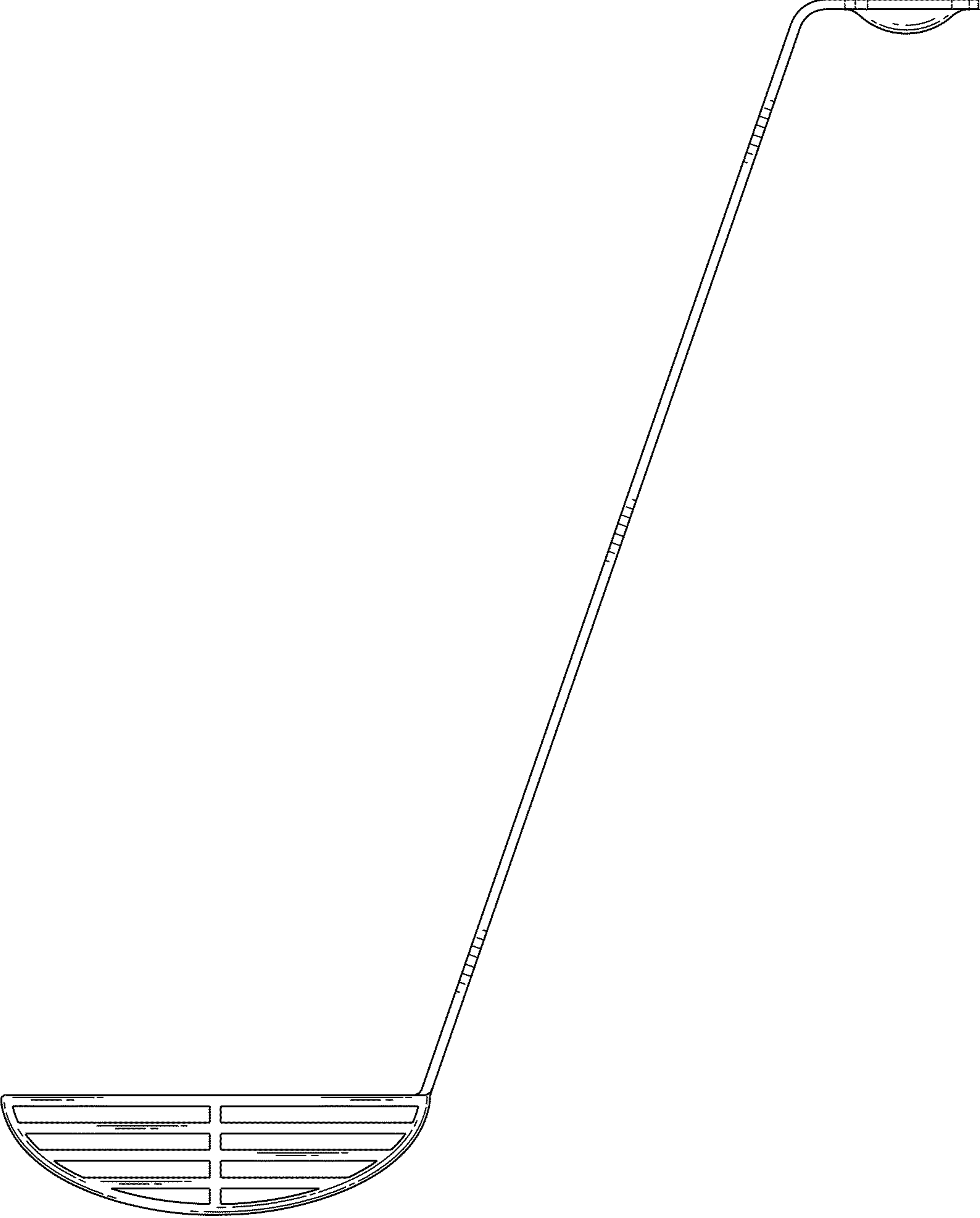


FIG. 2

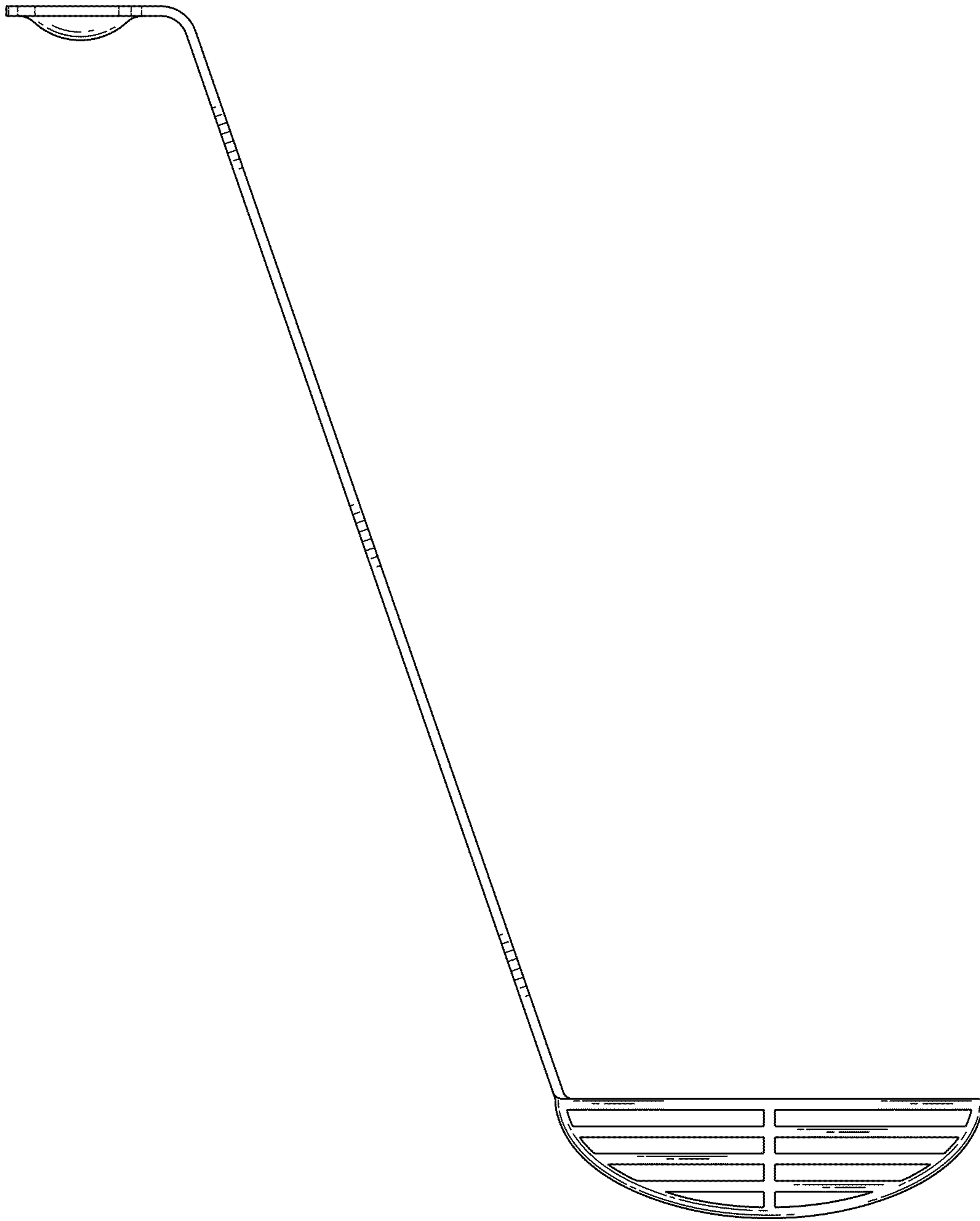


FIG. 3

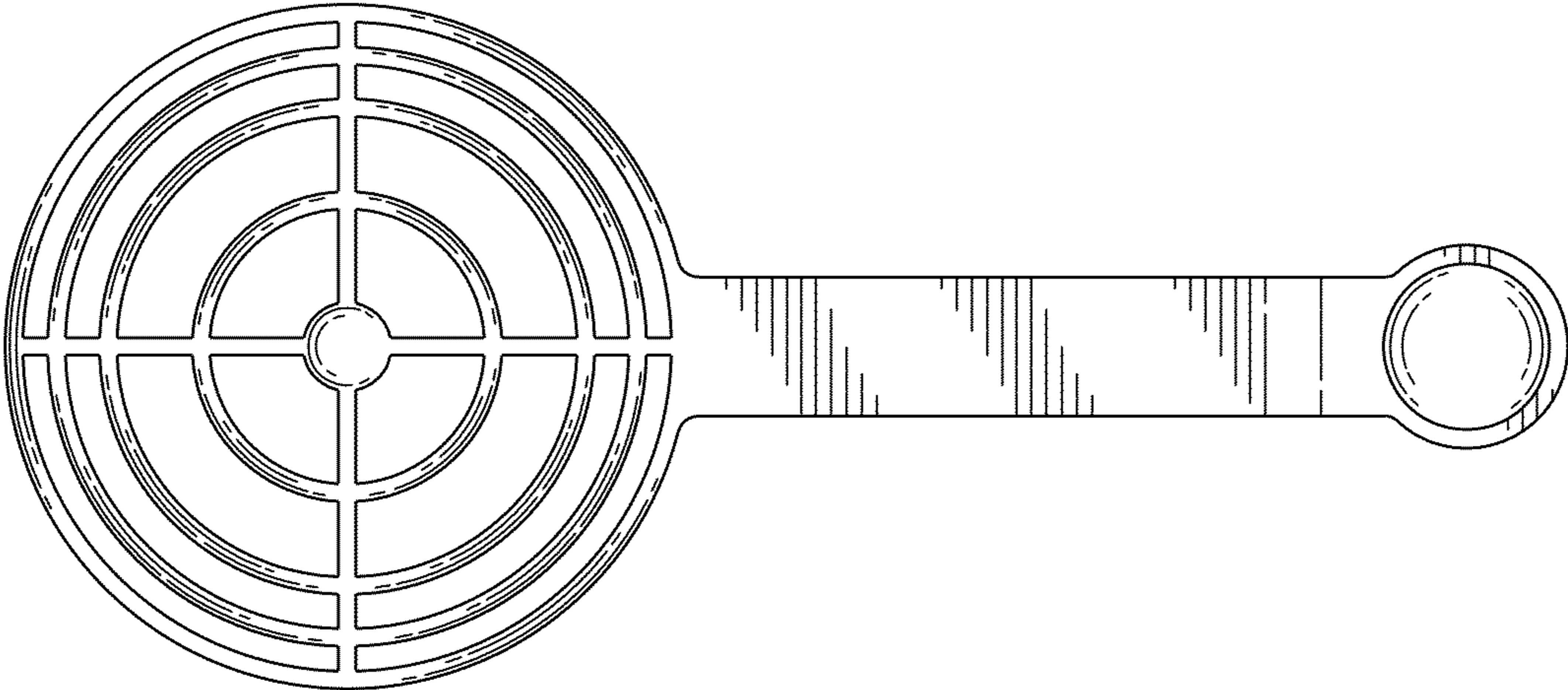


FIG. 4

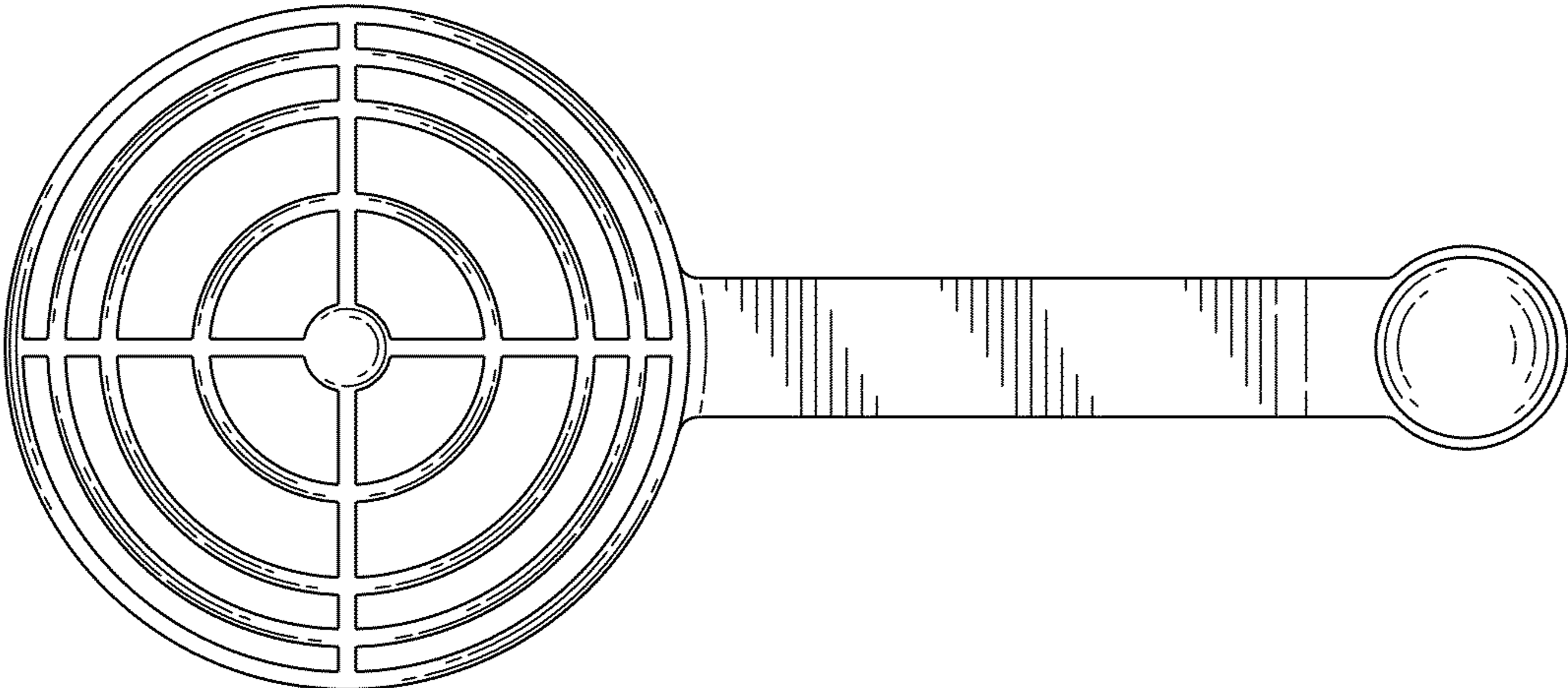


FIG. 5

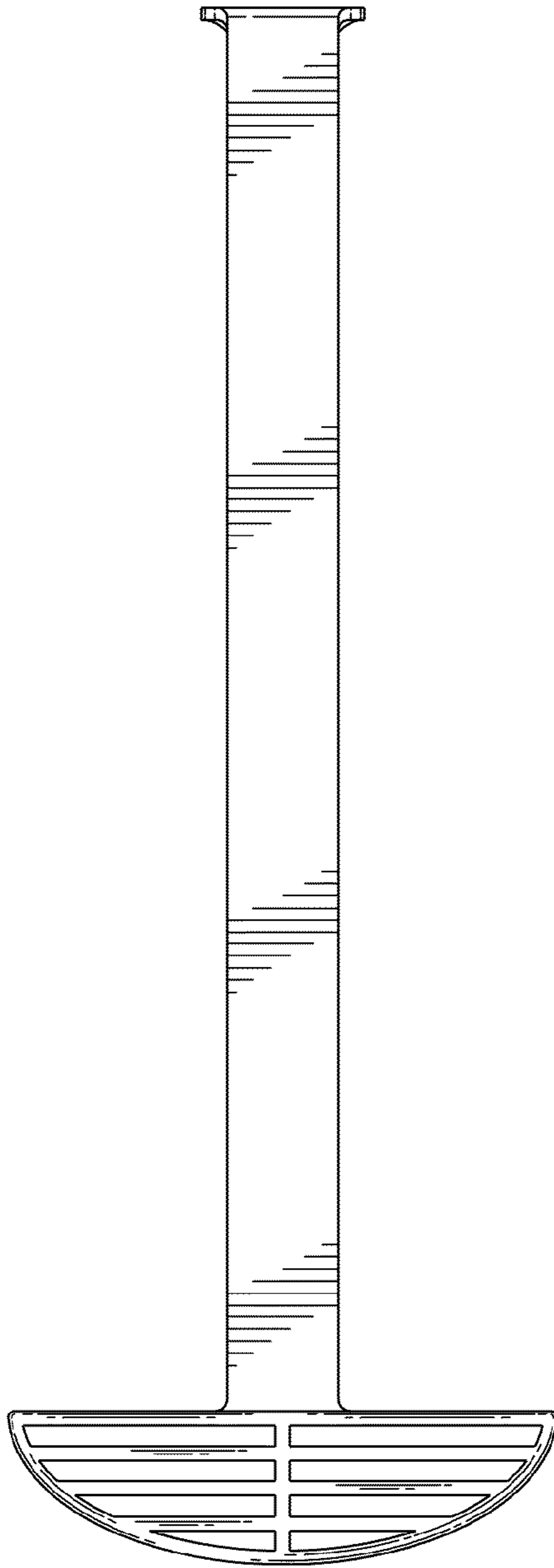


FIG. 6

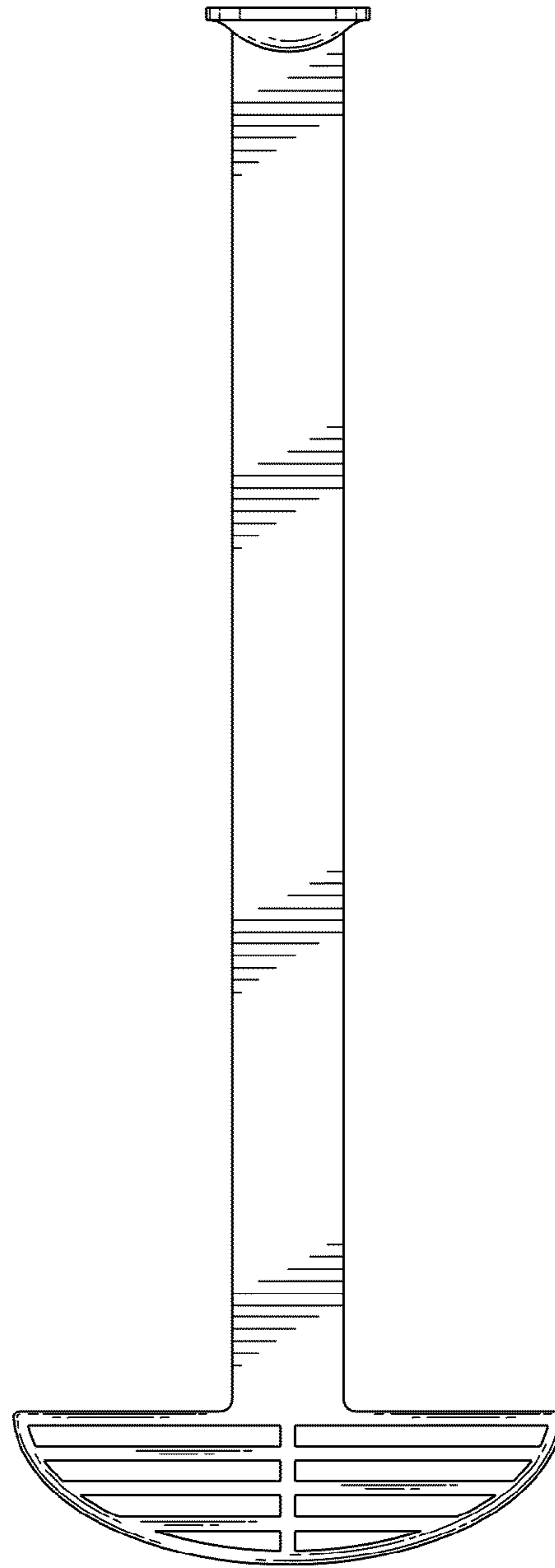


FIG. 7